

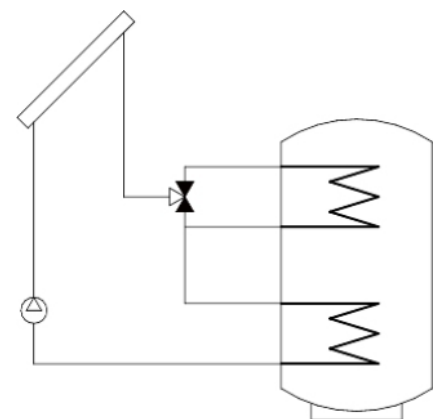
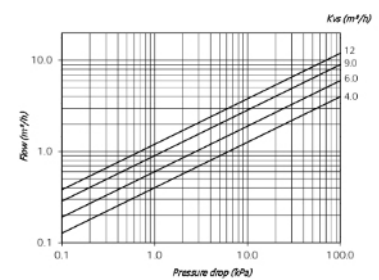
LK 821 ThermoVar



TECHNICAL DATA

Opening temperatures	45°C, 55°C, 61°C, 66°C, 72°C or 80°C
Working temperature, 45°C - 55°C	Min. +5°C / Max. +95°C
Working temperature, 61°C - 80°C	Min. +5°C / Max. +110°C
Ambient temperature	Min. +5°C / Max. +60°C
Max. working pressure	1.0 MPa (10 bar)
Max. pressure difference	50 kPa
Media	Water - Glycol mixture max. 50%
Thread standard Female/Male	Rp / G
Material, valve body/cover	Brass EN 12165 CW617N
Material, O-ring	EPDM

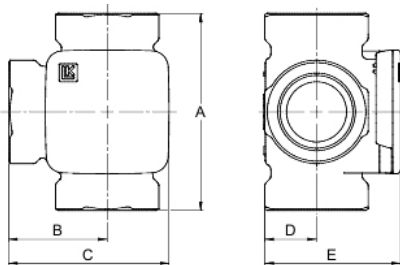
Capacity Diagram



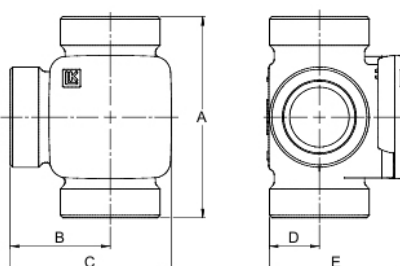
LK 821 ThermoVar 3-way thermic zone valve is designed to change the direction of flow of the media in heating systems. The valve is controlled by the temperature of the media. With LK 821 ThermoVar installed in, for example, a solar heating system an optimal stratification in the storage tank is obtained.

The valve can be mounted at any angle. LK 821 ThermoVar can easily be adapted for right- or left-hand mounting.

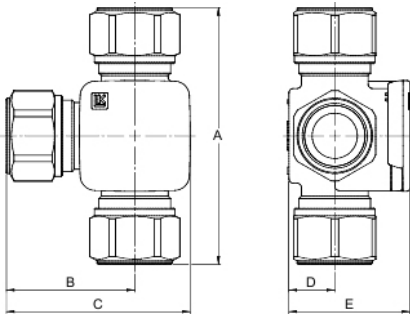
LK 821 - FEMALE THREAD



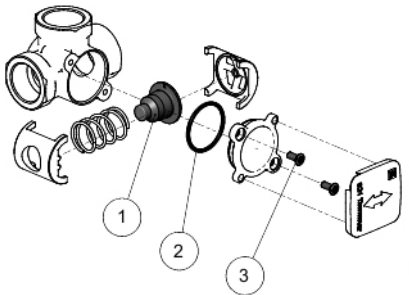
LK 821 - MALE THREAD



LK 821 - COMPRESSION FITTING



SPARE PARTS AND ACCESSORIES



Article number	Opening temperature	Dim.	Kvs m ³ /h	A mm	B mm	C mm	D mm	E mm	Weight kg
180539	45°C	F 1/2"	4.0	80	40	66	21	35	0.7
180540	45°C	F 3/4"	6.0	80	40	66	21	35	0.8
180541	45°C	F 1"	9.0	82	41	67	21	35	0.9
180542	45°C	F 1 1/4"	12	84	42	68	24	39	1.0
180547	55°C	F 1/2"	4.0	80	40	66	21	35	0.7
180548	55°C	F 3/4"	6.0	80	40	66	21	35	0.8
180549	55°C	F 1"	9.0	82	41	67	21	35	0.9
180550	55°C	F 1 1/4"	12	84	42	68	24	39	1.0
180555	61°C	F 1/2"	4.0	80	40	66	21	35	0.7
180556	61°C	F 3/4"	6.0	80	40	66	21	35	0.8
180557	61°C	F 1"	9.0	82	41	67	21	35	0.9
180558	61°C	F 1 1/4"	12	84	42	68	24	39	1.0
180563	66°C	F 1/2"	4.0	80	40	66	21	35	0.7
180564	66°C	F 3/4"	6.0	80	40	66	21	35	0.8
180565	66°C	F 1"	9.0	82	41	67	21	35	0.9
180566	66°C	F 1 1/4"	12	84	42	68	24	39	1.0
180571	72°C	F 1/2"	4.0	80	40	66	21	35	0.7
180572	72°C	F 3/4"	6.0	80	40	66	21	35	0.8
180573	72°C	F 1"	9.0	82	41	67	21	35	0.9
180574	72°C	F 1 1/4"	12	84	42	68	24	39	1.0
180579	80°C	F 1/2"	4.0	80	40	66	21	35	0.7
180580	80°C	F 3/4"	6.0	80	40	66	21	35	0.8
180581	80°C	F 1"	9.0	82	41	67	21	35	0.9
180582	80°C	F 1 1/4"	12	84	42	68	24	39	1.0

Article number	Opening temperature	Dim.	Kvs m ³ /h	A mm	B mm	C mm	D mm	E mm	Weight kg
180543	45°C	M ¾"	4.0	80	40	66	21	35	0.7
180544	45°C	M 1"	6.0	80	40	66	21	35	0.8
180545	45°C	M 1¼"	9.0	84	42	68	21	35	0.9
180546	45°C	M 1½"	12	84	42	68	24	39	1.0
180551	55°C	M ¾"	4.0	80	40	66	21	35	0.7
180552	55°C	M 1"	6.0	80	40	66	21	35	0.8
180553	55°C	M 1¼"	9.0	84	42	68	21	35	0.9
180554	55°C	M 1½"	12	84	42	68	24	39	1.0
180559	61°C	M ¾"	4.0	80	40	66	21	35	0.7
180560	61°C	M 1"	6.0	80	40	66	21	35	0.8
180561	61°C	M 1¼"	9.0	84	42	68	21	35	0.9
180562	61°C	M 1½"	12	84	42	68	24	39	1.0
180567	66°C	M ¾"	4.0	80	40	66	21	35	0.7
180568	66°C	M 1"	6.0	80	40	66	21	35	0.8
180569	66°C	M 1¼"	9.0	84	42	68	21	35	0.9
180570	66°C	M 1½"	12	84	42	68	24	39	1.0
180575	72°C	M ¾"	4.0	80	40	66	21	35	0.7
180576	72°C	M 1"	6.0	80	40	66	21	35	0.8
180577	72°C	M 1¼"	9.0	84	42	68	21	35	0.9
180578	72°C	M 1½"	12	84	42	68	24	39	1.0
180583	80°C	M ¾"	4.0	80	40	66	21	35	0.7
180584	80°C	M 1"	6.0	80	40	66	21	35	0.8
180585	80°C	M 1¼"	9.0	84	42	68	21	35	0.9
180586	80°C	M 1½"	12	84	42	68	24	39	1.0

Article number	Opening temperature	Dim.	Kvs m ³ /h	A mm	B mm	C mm	D mm	E mm	Weight kg
180901	45°C	15 mm	4.0	114	57	83	21	35	0.8
180903	45°C	22 mm	6.0	114	57	83	21	35	0.8
180904	45°C	28 mm	9.0	120	60	86	21	35	1.0
180905	55°C	15 mm	4.0	114	57	83	21	35	0.8
180907	55°C	22 mm	6.0	114	57	83	21	35	0.8
180908	55°C	28 mm	9.0	120	60	86	21	35	1.0
180909	61°C	15 mm	4.0	114	57	83	21	35	0.8
180911	61°C	22 mm	6.0	114	57	83	21	35	0.8
180912	61°C	28 mm	9.0	120	60	86	21	35	1.0
180913	66°C	15 mm	4.0	114	57	83	21	35	0.8
180915	66°C	22 mm	6.0	114	57	83	21	35	0.8
180916	66°C	28 mm	9.0	120	60	86	21	35	1.0
180917	72°C	15 mm	4.0	114	57	83	21	35	0.8
180919	72°C	22 mm	6.0	114	57	83	21	35	0.8
180920	72°C	28 mm	9.0	120	60	86	21	35	1.0
180921	80°C	15 mm	4.0	114	57	83	21	35	0.8
180923	80°C	22 mm	6.0	114	57	83	21	35	0.8
180924	80°C	28 mm	9.0	120	60	86	21	35	1.0

Spare parts and Accessories

Article number	Article	Included components
187031	LK 821 Thermostatic element 45°C	1-3
187032	LK 821 Thermostatic element 55°C	1-3
187033	LK 821 Thermostatic element 61°C	1-3
187034	LK 821 Thermostatic element 66°C	1-3
187035	LK 821 Thermostatic element 72°C	1-3
187036	LK 821 Thermostatic element 80°C	1-3