

STOVAX



Stockton 3/4/5/6/7 *Free Standing Stove - Smoke Control Version*

MODELS: 7118/7102/7101/7119/7125/7127/7130/7162/7100/7117/7163/7120

Instructions for fitting Smoke Control kit

For use in GB (Great Britain)



This appliance has been certified for use in countries other than those stated. To install this appliance in these countries, it is essential to obtain the translated instructions and in some cases the appliance will require modification. Contact Stovax for further information.

IMPORTANT

This appliance will become hot whilst in operation, it is therefore recommended that a suitable guard should be used for the protection of young children, the elderly or infirm. Do not attempt to burn rubbish in this appliance.

Please read these Instructions carefully before installation or use.

Keep them in a safe place for future reference and when servicing the fire.

The commissioning sheet found on page 3 of the main instructions should be completed by the appliance Installer.

THESE INSTRUCTIONS MUST BE USED IN CONJUNCTION WITH PM227

USER INSTRUCTIONS

1. GENERAL

1.1 These instructions apply to Stockton 3/4/5/6/7 when fitted with a Smoke Control kit.

NOTE: These appliances have been independently tested to PD6434 and approved by DEFRA as an exempted appliance allowing it to burn wood in Smoke Control areas when fitted with this Smoke Control kit.

Product Code	Appliance	Smoke control kit Part No.
7100	Stockton 6 Wood Flat Top	ST5SCKIT
7101	Stockton 4 Wood	ST3SCKIT
7102	Stockton 4 M/F Flat Top	ST3SCKIT
7117	Stockton 6 Highline	ST5SCKIT
7118	Stockton 3 M/F Flat Top	ST3SCKIT
7119	Stockton 5 Wood Flat Top	ST5SCKIT
7120	Stockton 7 Wood Flat Top	ST5SCKIT
7125	Stockton 7 Inset Convector	ST5SCKIT
7127	Stockton 5 Ext Riddling	ST5MFCKIT
7130	Stockton 5 Midline	ST5MFCKIT
7162	Stockton 6 Ext Riddling	ST5SCKIT
7163	Stockton 7 Ext Riddling	ST5SCKIT

1.2 To meet the Smoke Control requirement this appliance must be operated correctly in order to minimise the amount of smoke produced.

1.3 Burn only dry wood or approved smokeless solid fuels.

1.4 These instructions must be left with the user and kept with the original instructions they superseded.

2. RECOMMENDED FUELS

2.1 **Wood Logs:**

- Burn only seasoned timber with a moisture content of less than 20%

Appliance	Maximum Length	Maximum Diameter
Stockton 3	200mm	100mm
Stockton 4	200mm	100mm
Stockton 5	330mm	100mm
Stockton 5 Midline	330mm	100mm
Stockton 6	250mm	100mm
Stockton 6 Highline	250mm	100mm
Stockton 7	325mm	100mm

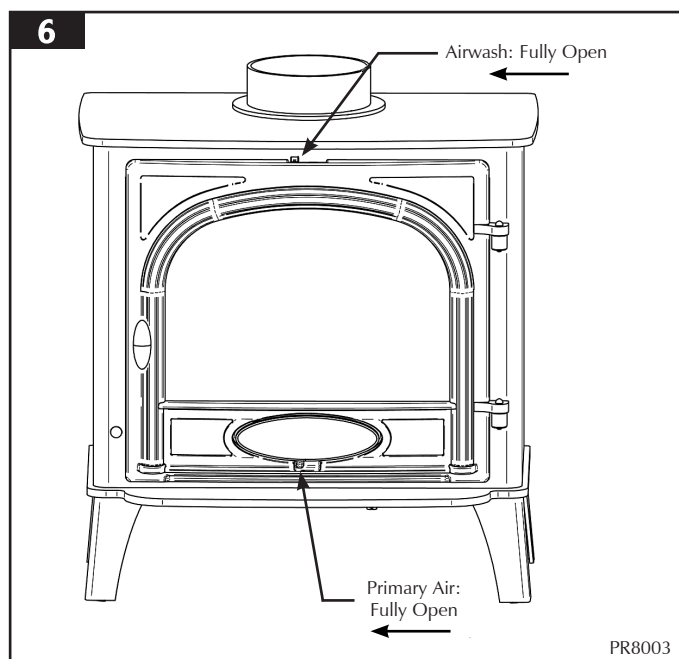
- Dry cut wood for 12 to 18 months before use
- Poor quality timber:
- Causes low combustion efficiency
 - Produces harmful condensation
 - Reduces effectiveness of the airwash and life of the appliance

Do not burn construction timber, painted, impregnated / treated wood, manufactured board products or pallet wood.

3. LIGHTING THE APPLIANCE

3.1 For best results:

- Set air controls, Diagram 1



- Place firelighters or paper and dry kindling wood on the grate
- Light the paper or firelighters, Diagram 2



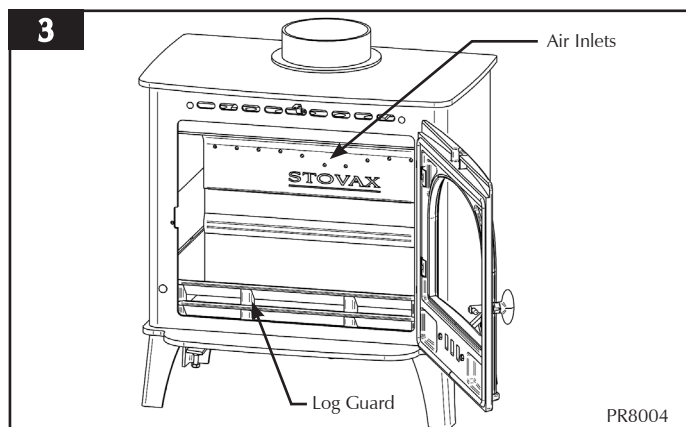
- Leave the door slightly open as the fire establishes and the glass warms to avoid the build-up of condensation

USER INSTRUCTIONS

- Add larger pieces of wood
Too many logs may smother the fire.

Do not load fuel above the log guard and the secondary combustion inlets at the back of the firebox.

Diagram 3

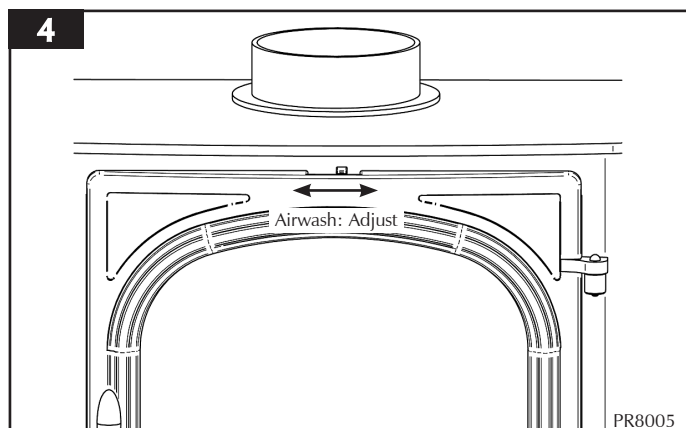


- Close the door fully

4. RUNNING THE APPLIANCE

4.1 Burning Wood:

- Close the **Primary air control** and use the **Airwash** to control the burn rate when appliance is at operating temperature, Diagram 4



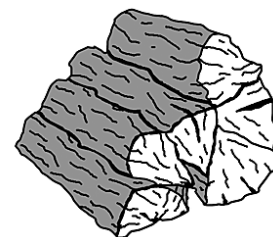
5. REFUELLING THE APPLIANCE

- 5.1 • Open the Primary and Airwash air controls fully
- Rake the embers evenly over the fire bed to establish a glowing firebed
If the fire bed is low add a small amount of kindling wood to help re-establish the fire.
- Stack the logs in an open arrangement, Diagram 5

5



Open Stacking



Compact Stacking

Open stacking allows oxygen to easily reach every part of the fire.

Compact stacking will make the wood burn slower as wood can only reach the outside of the fire. This will cause the fire to smoulder and produce smoke.

- 5.2 After refuelling:
 - **Burn the new logs at high output for 3 to 5 minutes before closing the Primary air control**
 - Adjusting the burn rate using the Airwash air control.**

Do not close the air controls until the fire is burning well.

- 5.3 Experience establishes settings to suit personal preferences.
- 5.4 **Do not** burn large amounts of fuel with the **Airwash control** closed for long periods of time. This reduces the glass cleaning effect and causes tars and creosotes to build-up in the appliance and flue system and will produce excessive amounts of smoke.
- 5.5 When in use, burning the appliance at high output for a short period also reduces tars and creosote.
- 5.6 When running the appliance:
 - **Refuel little and often for clean, efficient burning**
- 5.7 Wood burns best on a bed of ash.
- A bright and clean firebox indicates the appliance is burning well.**
- 5.8 **Do not load fuel above the log guard and the secondary combustion inlets at the back of the firebox.**
Diagram 3

INSTALLATION INSTRUCTIONS

These instructions cover the fitting of the Smoke Control Kit

1. PARTS LIST

Product Code	Appliance	Smoke control kit Part No.
7100	Stockton 6 Wood Flat Top	ST5SCKIT
7101	Stockton 4 Wood	ST3SCKIT
7102	Stockton 4 M/F Flat Top	ST3SCKIT
7117	Stockton 6 Highline	ST5SCKIT
7118	Stockton 3 M/F Flat Top	ST3SCKIT
7119	Stockton 5 Wood Flat Top	ST5SCKIT
7120	Stockton 7 Wood Flat Top	ST5SCKIT
7125	Stockton 7 Inset Convector	ST5SCKIT
7127	Stockton 5 Ext Riddling	ST5MFSCKIT
7130	Stockton 5 Midline	ST5MFSCKIT
7162	Stockton 6 Ext Riddling	ST5SCKIT
7163	Stockton 7 Ext Riddling	ST5SCKIT

ST3SCKIT:

1 x Air Control Slider

ST5SCKIT:

1 x Air Control Slider

ST5MFSCKIT:

1 x Air Control Slider

2 x M8x30 CSK Head Screws

2 x M8 Lock Nuts

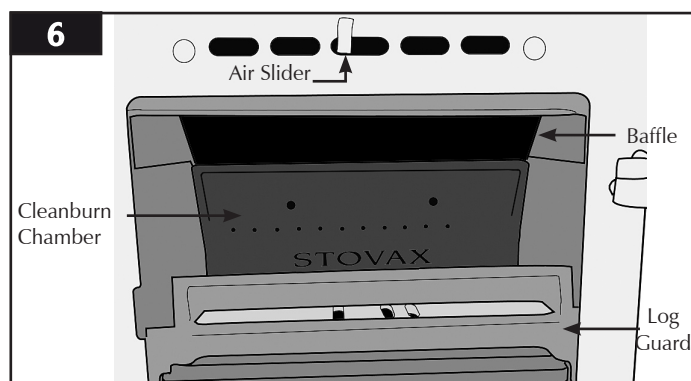
1 x 10mm x 2mm self adhesive seal rope - 920mm long

1 x CA7560 casting

2. INSTALLATION

2.1 To install the Smoke Control kit:

- Remove internal packaging, Log Guard and baffle, Diagram 6



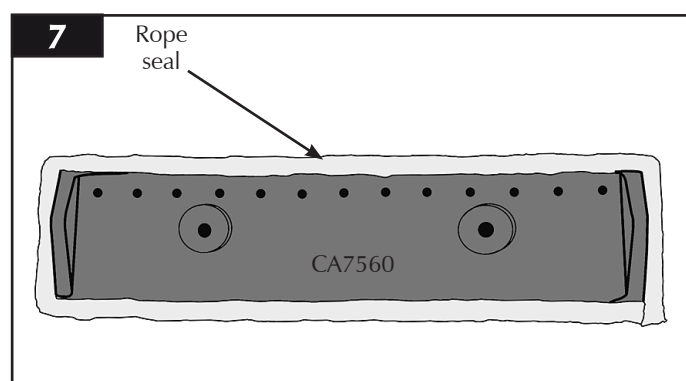
Cleanburn Chamber - Stockton 5 M/F only

The first Stage is to modify the Cleanburn Chamber

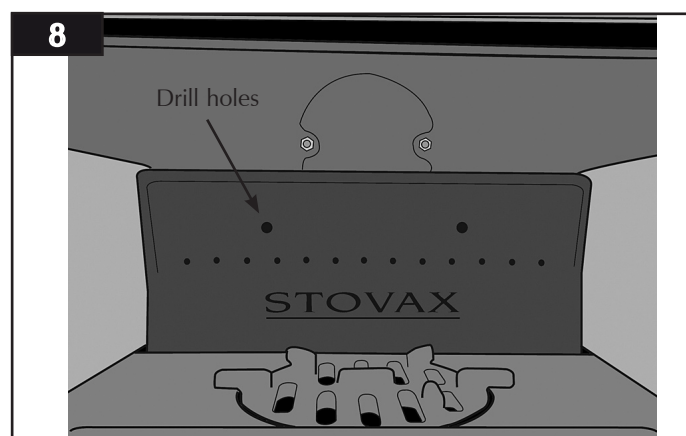
2.2 The cleanburn chamber can be modified whilst in place on these models.

To modify the chamber:

- Fix the seal to the CA7560 part as shown, Diagram 7
- Line the CA7560 part, Diagram 7, up with the back of the baffle, Diagram 8

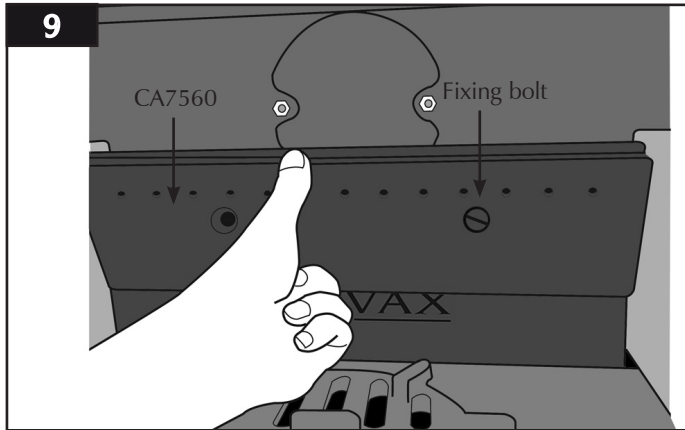


- Hold the part in position and ensuring that the seal touches all around the edge and mark the position of the fixings
- Use the holes in the CA7560 as a template to mark the position of the fixings, Diagram 8

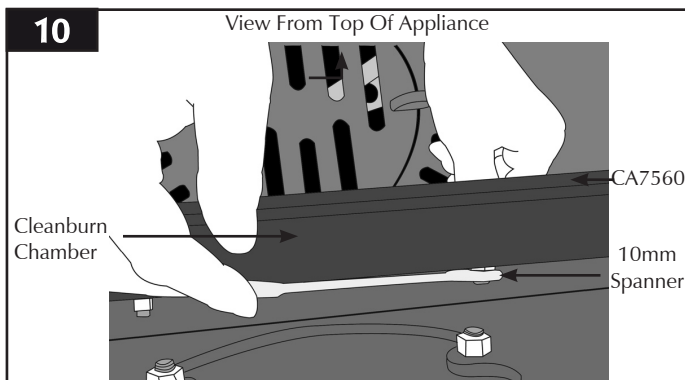


- Drill the 9mm holes using a sharp drill
 - Hold the CA7560 in place and secure with the fixing bolts, Diagram 9
- Ensure the modification fits tightly to the chamber creating an effective seal around it's edges.

INSTALLATION INSTRUCTIONS



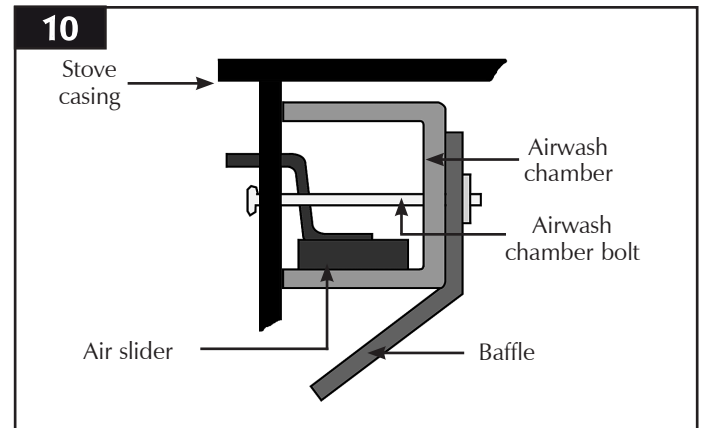
- Tighten the fixings, diagram 10



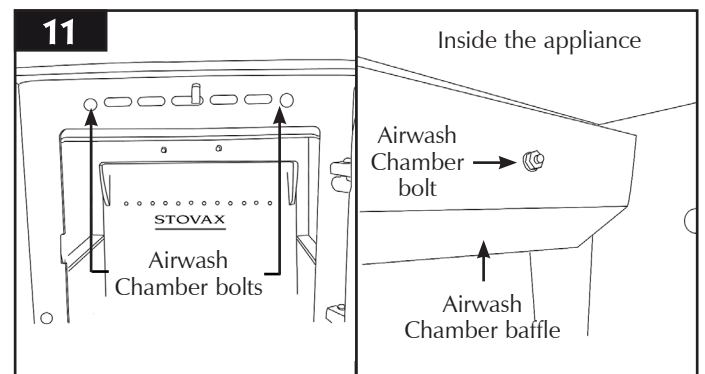
- Stage one is complete

All Models: Stage Two

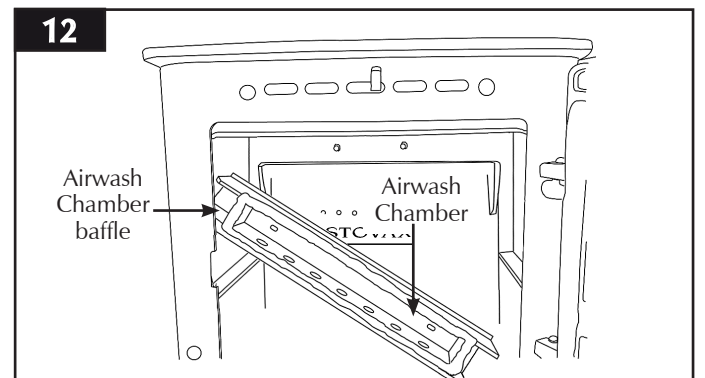
- 2.3 The interior of the appliance is made of several components that effect the fitting of the Smoke Control kit, Diagram 10



- 2.2 • Remove the two bolts on the Airwash chamber These are located on the inside of the stove, Diagram 11

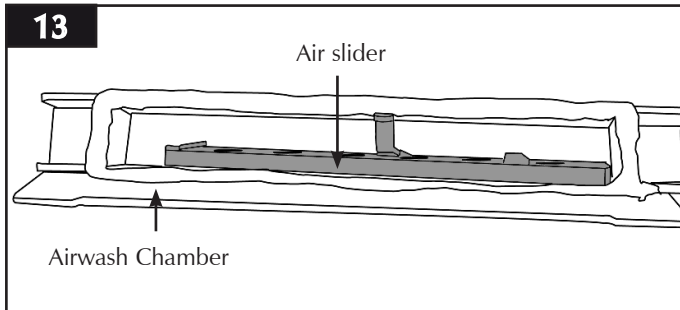


- 2.3 • Rotate and pull the Airwash chamber through the front of the appliance to remove, Diagram 12



- 2.4 Replace the Airslider with the Smoke Control version, Diagram 13

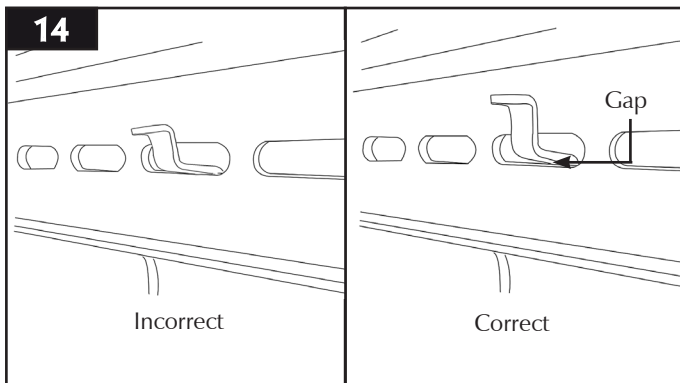
INSTALLATION INSTRUCTIONS



- Ensure the holes in the new Air slider are facing downwards

2.5 Fitting is the reverse of the above

2.6 Ensure the Air slider screws are tightened to a tension that ensures movement when the Airwash is operated. The Air slider must be positioned correctly and not rest on the inlet, Diagram 14



- Stage two is complete

STOVAX

Stovax Ltd, Falcon Road, Sowton Industrial Estate, Exeter, Devon, England EX2 7LF
Tel: (01392) 474011 Fax: (01392) 219932 E-mail: info@stovax.com www.stovax.com