

# STOVAX

---



## *Sheraton*

### *Free Standing Stove*

MODELS: 7016/7017/7027

## Instructions for Use, Installation and Servicing

For use in Great Britain and Republic of Ireland.



This appliance has been certified for use in countries other than those stated. To install this appliance in these countries, it is essential to obtain the translated instructions and in some cases the appliance will require modification. Contact Stovax for further information.

### **IMPORTANT**

This appliance will become hot whilst in operation, it is therefore recommended that a suitable guard should be used for the protection of young children, the elderly or infirm. Do not attempt to burn rubbish in this appliance.

Please read these Instructions carefully before installation or use.

Keep them in a safe place for future reference and when servicing the fire.

The commissioning sheet found on page 3 of these instructions should be completed by the Installer.

COVERING THE FOLLOWING MODELS:

7016/7017/7027

	PAGE
<b>APPLIANCE COMMISSIONING CHECKLIST</b>	<b>3</b>
<b>OPERATING INSTRUCTIONS</b>	<b>4</b>
<b>INSTALLATION INSTRUCTIONS</b>	<b>9</b>
Technical Specifications	9
Site Requirements	10
Pre-Installation	13
Installation	15
Commissioning	17
<b>SERVICING INSTRUCTIONS</b>	<b>18</b>
Maintenance & Servicing	18
Basic spare parts list	21
Care of your stove	23
Service Records	24

# APPLIANCE COMMISSIONING CHECKLIST

To assist us in any guarantee claim please complete the following information:-

## Dealer appliance was purchased from

Name: .....

Address: .....

.....

Telephone number: .....

## Essential Information - MUST be completed

Date installed: .....

Model Description: .....

Serial number: .....

## Installation Engineer

Company name: .....

Address: .....

.....

Telephone number: .....

## Commissioning Checks (to be completed and signed)

Is flue system correct for the appliance      YES       NO

Flue swept and soundness test complete      YES       NO

Smoke test completed on installed appliance      YES       NO

Spillage test completed      YES       NO

Use of appliance and operation of controls explained      YES       NO

Instruction book handed to customer      YES       NO

Signature: .....

Print name: .....

# OPERATING INSTRUCTIONS

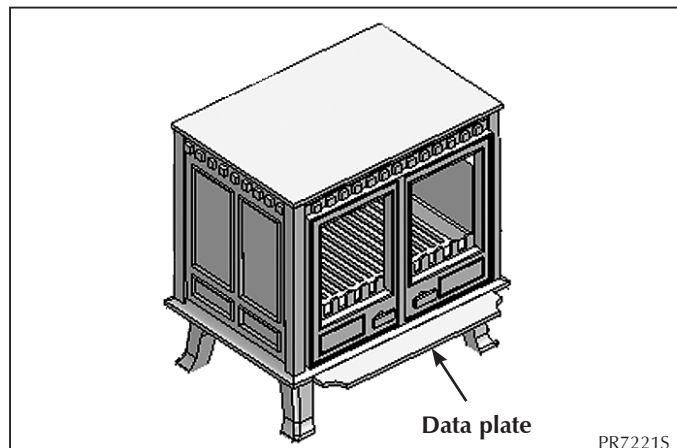
Before using this appliance, please read these instructions carefully.

## 1. GENERAL

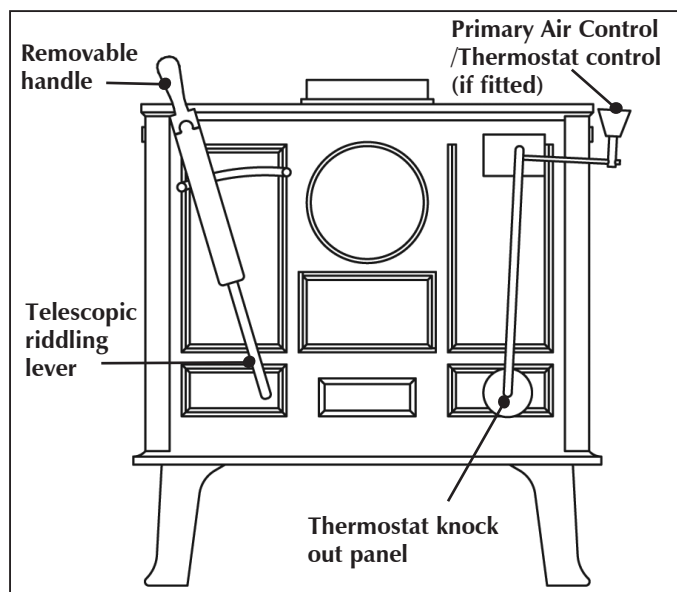
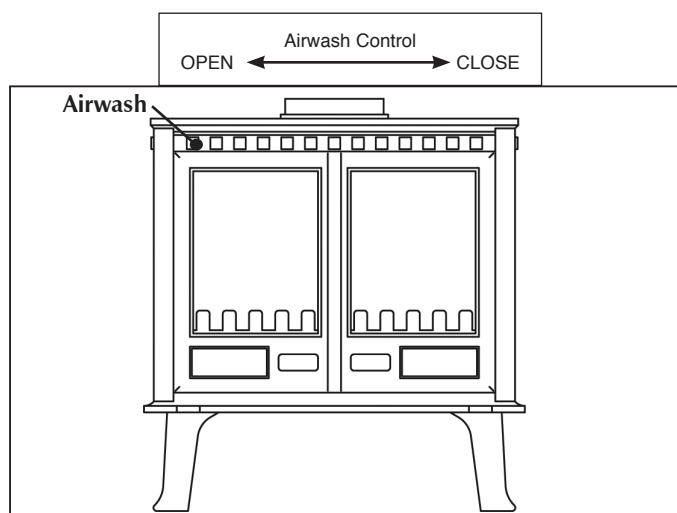
- 1.1 This stove is designed for domestic heating and should only be used for this purpose, and in accordance with the manufacturers operating instructions.
- 1.2 **It must be installed by a competent installer, in accordance with all local regulations, including those referring to national and European standards.**
- 1.3 The stove should only be used to burn approved fuels and should not be used with liquid fuels or used as an incinerator.
- 1.4 As with all heating stoves the surfaces will become very hot when in use, therefore due care should be taken when near the stove. If it is to be used in the presence of young children, elderly or infirm persons, a suitable fireguard should be used. Care should also be taken with the placement of combustible items near the stove as conducted and radiated heat could cause a fire hazard.
- 1.5 Stovax offer a wide range of firescreens along with a hearthgate system designed to offer full protection for a range of stoves and fireplaces. Your Stovax dealer can advise you on these products.
- 1.6 Due to the high temperature of the convected air above the stove we recommend that no valuable photographs, paintings, porcelain, electrical products or other items are placed in this area. Such artefacts may be damaged by long term exposure to fluctuating temperatures.
- 1.7 The additional ventilation required for the safe use of this stove should be kept free of any obstructions, both inside and outside the building, at all times.
- 1.8 Have your Stovax product serviced annually by a competent service engineer, and if repairs are required use only Stovax approved spare parts.
- 1.9 Do not make unauthorised modifications or changes to the stove. **No other appliance should be connected to or share, the same flue or chimney system.**

## SERIAL NUMBER

- 1.10 This number will be required when ordering spare parts or making warranty claims.
- 1.11 It is found on the stove data plate, which is under the front of the stove ashlip.



## AIR CONTROLS



# OPERATING INSTRUCTIONS

## DOOR HANDLE

- 1.12 **To Open and Close:** Use a protective gloved hand to operate.
- 1.13 Rotate RH Knob anti-clockwise to open. Rotate clockwise to close.



- 1.14 **Warning:** Do not force the handle to turn more than 1/4 turn as damage may occur.
- 1.15 **Never open the door with your bare hands.**
- 1.16 Closing the door is the reverse of the previous.

## 2. USING THE STOVE FOR THE FIRST TIME

- 2.1 When new, it is best to burn the fire at a low output for the first few days of use. This will allow the construction to settle and all fixing glues and paint to fully cure.
- 2.2 **Avoid touching the paint during the first period of use.**
- 2.3 During this time the stove may give off some unpleasant odours, and we recommend that you keep the room well ventilated during this period to avoid a build-up of fumes.

## 3. RECOMMENDED FUELS

- 3.1 **Wood:** Burn only seasoned timber, with a moisture content of less than 20% with a recommended cut length of 300mm. In most cases, this would require drying cut wood for 12 to 18 months before use. Poor quality timber could cause low combustion efficiency, produce large amounts of harmful condensation, which could reduce the effectiveness of the airwash system, and ultimately the life of the stove.
- 3.2 **Do not burn construction timber, painted, impregnated / treated wood, manufactured board products or pallet wood.**
- For more details on using wood see *Section 9 Burning Performance, page 7.*
- 3.2 **Solid fuel:** Burn only anthracite or a manufactured briquetted smokeless fuels, listed as suitable for use with closed heating stoves. **Do not burn bituminous coal, 'petro-coke' or other petroleum based fuels, as this will invalidate the product guarantee.**

## 3.3 Fuel consumption at nominal heat output.

As tested at nominal heat output to the requirements of EN 13240: 2001 for intermittent operation.

Description	Fuel Consumption	
	Kg/hour Wood	Kg/hour Briquetted Smokeless fuel
Sheraton 7016	2.66	-
Sheraton 7017	2.66	1.12
Sheraton 7027	2.66	1.12

- 3.4 If you require advice on suitable solid fuels contact your local approved coal merchant. Details can be obtained by ringing the Solid Fuel Association advice line on Freephone 0845 601 4406. Or their web site at [www.solidfuel.co.uk](http://www.solidfuel.co.uk)
- A number of factors can affect the performance of the stove. Some of these are listed, see *Section 9 Burning Performance, page 7.*

## 4. BURNING WOOD (Wood and multi-fuel stoves)

- 4.1 Open the **Airwash control** fully and open the **Primary/Thermostat\* air control** (multifuel versions only) to approximately **25%** open.
- 4.2 Place some pieces of firelighter or dry crumpled paper on the grate and cover with some small pieces of dry kindling wood. Light the paper or firelighters.
- 4.3 To avoid the build-up of condensation on the door glass it is advisable to leave the door slightly open as the fire establishes, and the glass warms.
- 4.4 As the fire becomes established add a few larger pieces of wood and fully close the door. Do not initially add too many logs as this may smother the fire. **Do not leave the stove with the door open as this could over-fire the stove and cause permanent damage.**
- 4.5 As the fire becomes established close the **Primary/Thermostat\* air control** (multifuel versions only) and control the burn rate using the **Airwash control** only.
- 4.6 To burn wood efficiently it is best to allow a bed of ash to build-up on the grate, or the base of the stove, and control the combustion using the **Airwash control** only.
- 4.7 Before re-fuelling the stove it is advisable to first rake the embers evenly over the firebed then open the **Airwash control** fully for a few minutes, to establish a glowing bed before adding new logs.
- 4.8 Allow the new logs to burn at high output for a few minutes before adjusting the burn rate with the **Airwash control**, to the desired setting. It is best to refuel little and often to maintain clean and efficient burning.

# OPERATING INSTRUCTIONS

- 4.9 The ideal control settings to suit the particular installation and personal preferences will be established by experience in using the stove.
- 4.10 Do not load fuel higher than the log guard. It is not recommended to load large amounts of logs and burn with the **Airwash control** on low settings for long periods of time. This will reduce the effectiveness of the glass cleaning effect of the airwash and will cause a large build-up of tars and creosotes in the stove and flue system.
- 4.11 We would recommend that the stove be burnt at high output for at least 30 minutes each day when it is in use. This will help reduce the build-up of tars and creosotes within the stove and flue system.
- 4.12 **Do not burn construction timber, painted, impregnated / treated wood or manufactured board products.**
- \* The optional **Thermostatic Primary air control** will adjust the air flow to the fire to maintain a constant temperature.

## 5. BURNING SOLID FUEL (Multi-fuel stoves only)

- 5.1 Open the **Airwash control** to approximately 50% and **Primary/Thermostat\* air control** fully.
- 5.2 Place some pieces of firelighter or dry crumpled paper on the grate and cover with some small pieces of dry kindling wood. Light the paper or firelighters.
- 5.3 To avoid the build-up of condensation on the door glass it is advisable to leave the door slightly open as the fire establishes, and the glass warms.
- 5.4 As the fire becomes established add pieces of solid fuel and fully close the door. Do not initially add too much fuel as this may smother the fire. **Do not leave the stove with the door open as this could over-fire the stove and cause permanent damage.**
- 5.5 As the fire becomes established reduce the **Airwash air control** to approximately 25% and control the burn rate using the **Primary/Thermostat\* air control** only.
- 5.6 To burn solid fuel efficiently it is best to control the combustion using the **Primary/Thermostat\* air control** only.
- 5.7 Before re-fuelling the stove it is advisable to de-ash the firebed, using the riddling grate system. This is completed as follows:-
- Fixed Grate**  
Use a suitable poker.
- Riddling Grate**  
Move the Riddling Lever (Top right at the back) from side to side, using the removable tool provided.
- 5.8 Open the **Primary/Thermostat\* air control** fully for a few minutes, to establish a glowing bed before adding new

fuel. Allow the new fuel to burn at high output for a few minutes before adjusting the burn rate with the **Primary/Thermostat\* air control** to the desired setting. It is best to refuel little and often to maintain clean and efficient burning.

- 5.9 The ideal control settings to suit the particular installation and personal preferences will be established by experience in using the stove. It is not recommended to load large amounts of fuel and burn with the **Primary/Thermostat\* Air Control** on low settings for long periods of time as this will reduce the effectiveness of the glass cleaning effect of the airwash. Also this will help reduce the build-up of tar and creosotes within the stove and flue system.
- 5.10 We would recommend that the stove be burnt at high output for at least 30 minutes each day when it is in use. This will help reduce the build-up of tars and creosotes within the stove and flue system.
- 5.11 **Burn only anthracite or manufactured smokeless fuels, suitable for use in closed appliances.**
- 5.12 **Do not burn bituminous coal, 'petro-coke' or other petroleum based fuels, as this will invalidate the product guarantee.**
- \* The optional **Thermostatic Primary air control** will adjust the air flow to the fire to maintain a constant temperature.

## 6. OVER-FIRING

- 6.1 Do not use the appliance at maximum output for prolonged periods of time, or over-fill the firebox with fuel, as this could result in over-firing. If the connecting fluepipe, appliance flue collar or top plate glow red with heat the appliance is being over-fired and the air controls should be closed to reduce the output.
- 6.2 Do not load fuel higher than the log guard at the front of the stove.
- 6.3 If a chimney fire occurs shut all air controls immediately to close the appliance down, and evacuate all persons from the building before calling the fire brigade. Do not re-enter the building until it is confirmed safe to do so.
- 6.4 **Following a chimney fire do not use the appliance until it is inspected, by a HETAS (GB only)/INFO (Eire only) registered installer, to confirm that the appliance is safe to use, or make any repairs required before re-use.** Only genuine Stovax replacement parts are to be used to keep your appliance in safe and efficient working order.
- 6.5 After any chimney fire it is recommended that the chimney system be inspected and swept by a NACS registered (UK only) chimney sweep, to confirm that the system is structurally sound and free from any obstructions before re-use.



# OPERATING INSTRUCTIONS

## 7. ASH REMOVAL (Multi-fuel stoves)

- 7.1 The burning of any fuel will produce ash, which will have to be removed after a period of use. This time will depend on the fuel used. Before removing the ash from the stove it is advisable to let the fire burn down to a low level, or even go out completely. The ashpan can then be removed using gloved hands, after opening the main firedoors.
- 7.2 As heat can remain in the ash for a long period after use care must be taken when removing and carrying the full ashpan. We suggest that the ashpan be carried using gloved hands, or the ash is placed directly in to a Stovax Ash Caddy (Stovax Part No. 4227).
- 7.3 Do not place ash in a bin made from plastic or any other combustible material.

## 8. ASH REMOVAL (Wood-burning stoves)

- 8.1 When burning wood the amount of ash will be smaller and may only need removal once every week. To do this, allow the fire to burn out and cool. Open the main door, then after removing the log retainer scoop out the ash with a suitable shovel. It is best to leave a layer of ash in the stove to form a bed for the new fire.
- 8.2 Do not place ash in a bin made from plastic or any other combustible material.

## 9. BURNING PERFORMANCE

### 9.1 Fuel Quality (Wood)

Use only seasoned wood with a moisture content of less than 20%. Well seasoned logs should have the bark beginning to lift and peel away, along with deep cracks radiating from the centre of the log. Logs should feel lighter than fresh cut wood of a similar size and sound hollow when struck against each other. Logs should not feel damp to the touch, have any visible moisture oozing from them or moss and fungal growths on them.

Symptoms of poor performance related to wet woods include:

- Difficulty getting a fire going and keeping it burning well,
- Smoky fires with little flame,
- Dirty glass,
- Dirty firebricks,
- Rapid creosote build-up in the chimney,
- Low heat output,
- Short burn times, excessive fuel consumption and blue/grey smoke from the chimney.

To help avoid large build-ups of tars and creosote within the stove and the flue system, it is recommended to burn at high output for at least 30 minutes each day. The use of Stovax Protector chimney cleaner will also help to reduce this problem.

### 9.2 Fuel Quality (Solid Fuel)

Use only recommended solid fuels, which are approved for use with closed appliances. Symptoms of poor performance related to unsuitable fuels include:

- Difficulty getting a fire going and keeping it burning well
- Smoky fires with little flame
- Dirty glass
- Dirty firebricks
- Short life span for grate, baffles and internal firebricks
- Permanent staining of glass

### 9.3 Backpuffing

This is caused by a lack of combustion air entering the firebox causing combustion gases to build up in the firebox and periodically ignite as small explosions, causing smoke to puff out of the appliance air inlets and other openings. The problem will often occur if the air controls are shut soon after adding new fuel to a very hot fire. To stop backpuffing occurring open the air controls to increase the combustion air and increase the burning rate.

### 9.4 Flue Draught

The chimney has two main functions, which are, to safely remove the smoke, gases and fumes from the house, and to provide a sufficient amount of draught (suction) in the stove to ensure that the fire is kept burning. Draught is caused by the rising hot air in the chimney when the stove is lit.

Symptoms of poor performance related to flue draught include:

- Excessive fuel consumption (high flue draught)
- Poor burning control, overheating (high flue draught)
- Wind noise from air controls (high flue draught)
- Difficulty getting a fire going and keeping it burning well (low flue draught)
- Low heat output (low flue draught)
- Smoke entering room when doors opened (low flue draught)

The construction, position, size and height of the chimney are all factors that affect the performance of the flue draught.

Other factors that can effect the flue draught include:

- Trees or other buildings nearby causing turbulence
- High and gusty winds
- Outside temperature
- Outside weather conditions
- Incorrect additional ventilation to building
- Blocked flue / chimney

For advice on the correction of persistent flue problems consult a qualified solid fuel heating engineer before continuing to use the stove.

### 9.5 Weather conditions

The weather conditions outside the building could have an effect on the burning performance of the stove. These could include:

# OPERATING INSTRUCTIONS

**Windy days** - Smoking from the appliance. This could be caused by turbulent airflow around chimney terminal, possibly caused by the position of other buildings or obstacles nearby. This problem is, also, sometimes associated with oversized chimneys, which may even have downdraught problems on calm days. If smoking is a common problem on windy days make a note of the wind strength and direction before consulting your appliance installer, who will advise you on possible solutions to the problem, after visiting the installation.

**Damp / Rainy days** – These sometimes result in problems when lighting and maintaining the fire, due to the lower flue temperatures and smaller difference between indoor and outdoor temperatures reducing the flue draught. Also, rain water running down the inside of the chimney reducing the flue temperatures. To help with this problem care must be taken to use good quality kindling wood, when starting the fire, and running the stove at a higher heat setting than normal for a period after start-up to fully heat the chimney. It could be possible to fit a rain cowl to the chimney to reduce this problem. Your appliance installer should advise you on possible solutions.

If the stove emits smoke into the room continuously close the air controls and allow the stove to go out, and ventilate the room to clear the fumes.

**Do not re-light the appliance until the cause of the problem is identified and rectified.**

## 10. TROUBLESHOOTING

### 10.1 Stove glass blackening:

This occurs as a result of four possible causes:

1. **Incorrect use of airwash** – See the detailed operating instructions *Sections 4 and 5 page 5 and 6* which show the correct use of the combustion air controls.
2. **Burning unseasoned wood** – See *page 7 (section 9.1)* for more information on how to identify when your wood is ready for burning. Properly seasoned logs will have been kept for a minimum of a year but are best burnt at 2 years.
3. **The stove being burned at too low a temperature** - A good working temperature is 300-500° F (120 – 250° C). A stove pipe thermometer will help identify this problem. (Stovax part no 3046). Burning your wood stove with the airwash control fully open for a period of around 20 minutes ought to cure this. This might be caused by damping your stove down overnight.
4. **Problems with your flue** – in particular insufficient air pull. If your flue is not doing its job efficiently this can cause blackening of the glass. A flue which is too short, experiences a downdraft, needs lining or has too many bends can promote blackening. If you suspect your flue may be contributing to the blackening of your stove glass you should contact the installer or a flue specialist.

Heavy tar deposits should be removed using Stovax Glass Cleaner (Stovax Part. 4103 See *section 2 page 18*).

### 10.2 Stove glass cracking:

Please ensure when replacing the glass in your stove that you do not over tighten the screws on the glass clips as this will cause stress in the glass and with the intense heating and cooling of burning your stove it may well cause the glass to crack.

### 10.3 Stove is producing tar:

You can recognise this from the following traits:

Very strong pungent smell shortly after the stove is lit and as the stove heats up, glass blackening and, possibly, can be seen as a thick, brown and sticky material oozing from your stove pipe joints.

This is caused by burning damp wood and burning your stove at too low a temperature. To resolve this only use well seasoned wood and ensure your stove is operating in the ideal temperature range. Tar is a major cause of chimney fires - if you experience problems with tar build up, please consult a chimney sweep before continued use of your stove.

**Ideal working temperature** range is 130°C and 240°C (270°F – 465°F). If you fail to close down your primary air control once the stove has heated up to this range you may cause your stove to overfire and the temperature to exceed the ideal range. Overfiring can cause permanent damage to your stove and will invalidate your warranty.

## 11. SEASONAL USE

- 11.1 If the stove is not to be used during the warmer periods of the year it is recommended to clean and service the stove, see *Maintenance and Servicing section, page 18*.
- 11.2 The air controls should be set in the 50% open position to keep the appliance ventilated, and stop the build-up of any moisture inside.
- 11.3 Before re-lighting the stove remove the baffles, clear any debris that may have accumulated, and check the flue is clear of any blockages.



# TECHNICAL SPECIFICATION

## SHERATON STOVE

<b>Model</b> Sheraton - 7016 / 7017 / 7027			Sheraton
Nominal Heat Output	Wood	kW	8.0
	Solid Fuel	kW	8.0
Flue Draught at Nominal Heat Output	All Fuels	mm	1.25
		inch Wg	0.05
Flue Gas Mass Flow	Wood	g/s	5.4
	Solid Fuel	g/s	5.1
Flue Gas Temperature at Spigot/Socket	Wood	°C	337
	Solid Fuel	°C	335
Flue Outlet Size (Top or Rear Option)		mm	150
		inch	6
Weight		kg	80

Recommended Fuels	Wood	Seasoned wood (less than 20% moisture content)
	Solid Fuel	Briquette smokeless fuel suitable for closed appliances. (Ancit - Phurnacite - Taybrite - Homefire ovals)

As tested to the requirements of EN 13240 for intermittent operation.

### 1. STANDARD FEATURES

- Primary air (under grate air for full multifuel use) – (Multifuel stoves only)
- Airwash (for woodburning / clean glass)
- Riddling grate option for clean de-ashing – (Multifuel stoves only)
- Top or rear flue exit option

### 2. PACKING LIST

- Instructions
- Guarantee card
- Door handle tool
- Flue collar
- 4 x Legs

# SITE REQUIREMENTS

**Before installation of this product please read these instructions fully.**

It is very important to also understand the requirements of the UK Building Regulations (England and Wales – Document J / Scotland - Part F, Eire - Document J), along with any local regulations and working practices that may apply. Should any conflict occur between these instructions and these regulations then the regulations shall apply.

Your local Building Control Office would be happy to advise should questions arise, regarding the requirements of the regulations.

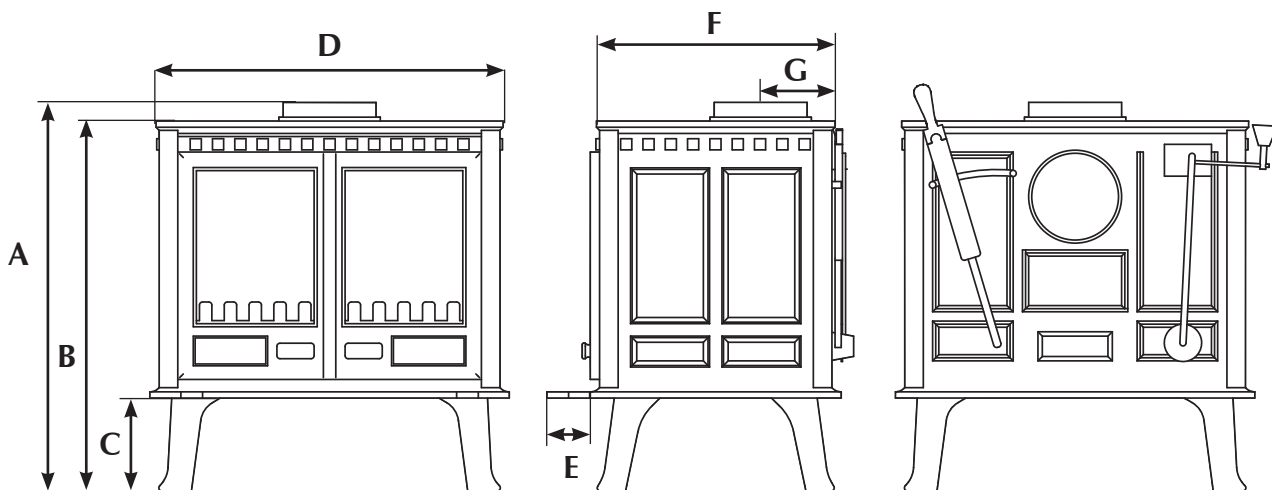
The stove must be fitted by a HETAS (GB only)/INFO (Eire) registered installer, or approved by your local building control officer. Your Stovax dealer should be able to arrange this service for you.

Your building insurance company may also require you to inform them that you have installed a new heating appliance, so check with your insurers that your cover is still valid after installing the stove.

When completing the installation and building works you should comply with your responsibilities under the Health and Safety at Work Acts, and any new regulations, which may be introduced during the lifetime of these instructions.

**A faulty installation could cause danger to the inhabitants and structure of the building.**

## SHERATON STOVE DIMENSIONS



Description	Model	A	B	C	D	E	F	G
Sheraton	7016 7017 7027	630	597	150	550	100	375	115

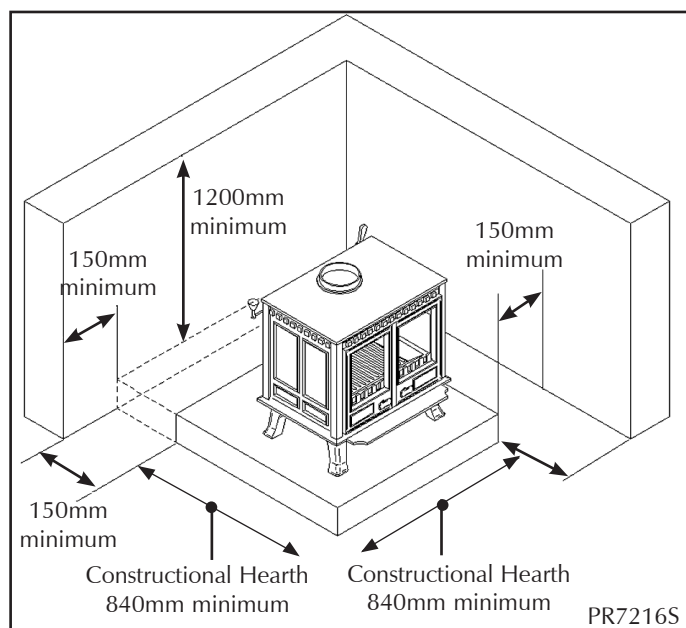
All dimensions in mm. (25.4 mm = 1")

# SITE REQUIREMENTS

## HEARTH DIMENSIONS

The appliance must stand on a constructional hearth with the minimum dimensions as shown in the diagram below.

Check that the building has a suitable loadbearing capacity for the hearth and stove. If in doubt consult a structural engineer for advice before proceeding.



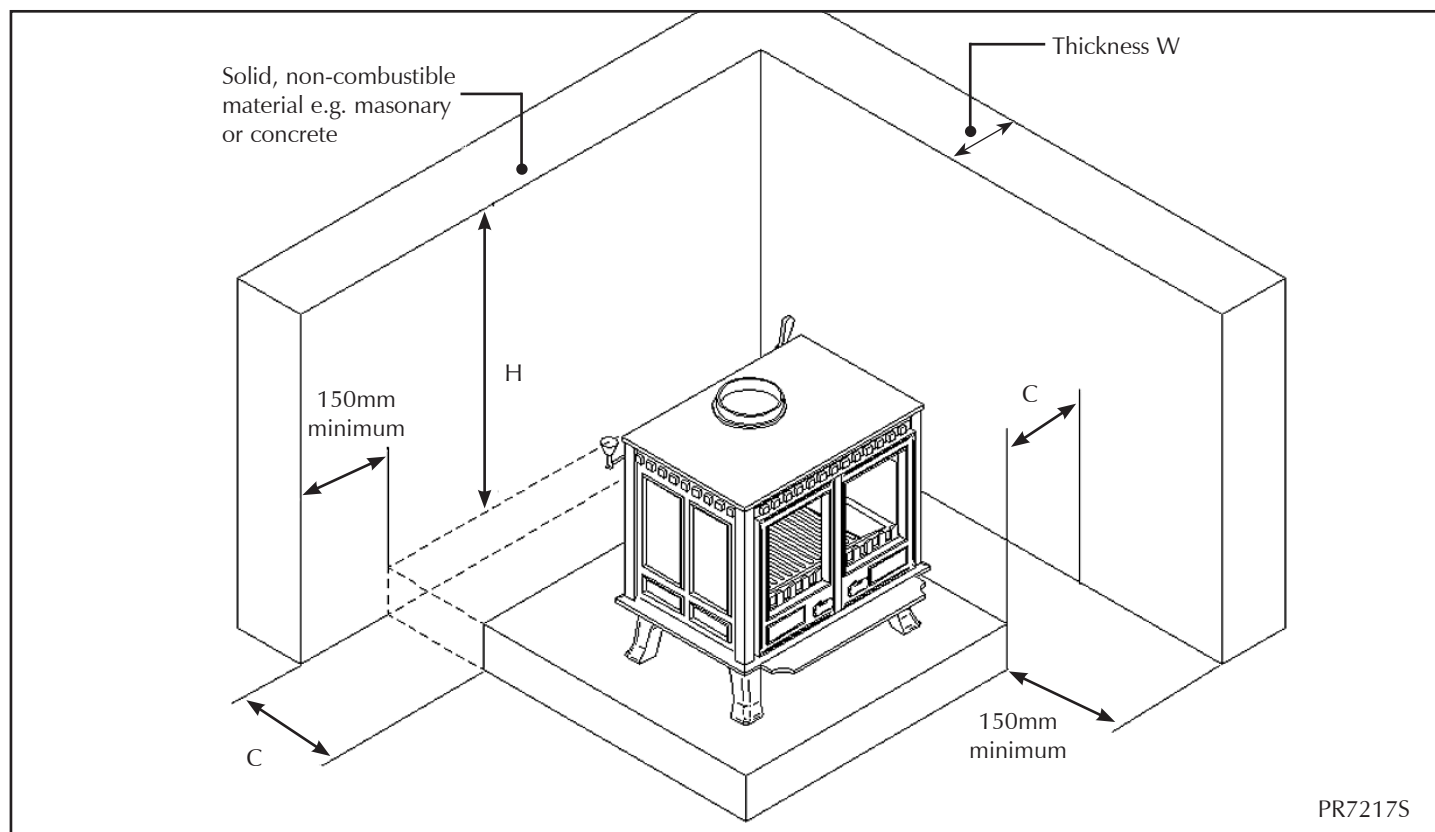
If you are fitting the appliance into an existing hearth setting check that it complies with the current construction regulations and is at least the minimum sizes shown.

If you have no existing fireplace or chimney, it is possible to construct a suitable non-combustible housing and hearth setting. However, this should be constructed to comply with the requirements of both current national and local regulations with the design approved by your local building control officer. Masonry chimney systems built with clay or concrete liners or pre-fabricated block systems should be constructed in accordance with BS 6461 : Part 1. Factory made insulated systems should comply with BS 4543 : Part 2 and be installed to BS 7566 : Parts 1 to 4.

Remember that any new chimney added to your property may also require planning permission.

# SITE REQUIREMENTS

## WALLS NEXT TO A HEARTH



Location of Stove and Hearth	Dimensions of non-combustible material around Stove		
	Distance 'C'	Thickness 'W'	Height 'H'
If the hearth <b>touches</b> the wall and the stove is placed 0-50mm from the same wall the non-combustible material has to be the dimensions as shown	Zero mm	200mm	Height of stove + 300mm or 1200mm above the hearth (take largest dimension)
If the hearth <b>touches</b> the wall and the stove is placed 51-300mm from the same wall the non-combustible material has to be the dimensions as shown	Zero mm	75mm	Height of stove + 300mm or 1200mm above the hearth (take largest dimension)
If the hearth does <b>not touch</b> the wall but is <b>less than 150mm</b> from it, the non-combustible material has to be the dimensions as shown	0-150mm	75mm	1200mm
If the hearth does <b>not touch</b> the wall but is <b>more than 150mm</b> from it, the non-combustible material has to be the dimensions as shown	Over 150mm	No minimum thickness	No minimum height

**Suitable clearance should be allowed around the stove to enable the correct fitting and maintenance of the stove.**  
**Any clearances should be confirmed by making a site survey and a physical check of wall thickness and dimensions.**

# PRE-INSTALLATION CHECKS

It is important that adequate ventilation exists and the flue or chimney system that is to be used is in good working condition. Products of combustion that enter the room could be a serious health risk. Before installation of this product we recommend that the flue or chimney system and ventilation requirements are inspected by a competent person, and passed as suitable for use with the appliance to be fitted. In particular the following should be checked:

## 1. FLUE OR CHIMNEY

- 1.1 The construction of the Flue or Chimney system should meet the requirements of the Building Regulations with sizes as shown on the next page.
- 1.2 An approved factory made system suitable for Solid Fuel use, complying with BS 4543: Part 2, may be used when installed to the requirements of BS 7566: Parts 1 to 4, the manufacturer's instructions and the requirements of Building Regulations.
- 1.3 New masonry chimney systems built with clay or concrete liners or pre-fabricated block systems should be constructed in accordance with BS 6461 : Part 1, and the requirements of Building Regulations.
- 1.4 A flexible flue liner system may be used, if it is independently certified for use with solid fuel systems, and is installed according to the manufacturer's instructions and the requirements of Building Regulations. If an appliance is being replaced on an existing flexible flue liner system, the liner system should be replaced, unless it can be proved to be recently installed and can be seen to be in good condition.
- 1.5 Do not connect to systems containing large voids or over 230mm square (9" square).
- 1.6 The minimum height of the flue or chimney must be 4.5m (15') when measured from the hearth to the top of the flue, with no horizontal sections and a maximum of 4 bends with angles of less than 45 degrees.
- 1.7 The flue exit from the building should be positioned to comply with the requirements of the Building Regulations.
- 1.8 Any existing flue should be confirmed as suitable for the new intended use, as defined in the Building Regulations.
- 1.9 Any existing flue or chimney system must be inspected and swept by a NACS registered (GB only) chimney sweep, to confirm that the system is structurally sound and free from any obstructions.
- 1.10 Suitable access should be provided to enable the collection and removal of debris.
- 1.11 Provision should be made to sweep and inspect the flue when the appliance is installed.
- 1.12 No other heating appliances should be connected to, or share, the same flue or chimney system.

- 1.13 Check the flue draught. This should be done with all windows and doors closed and any extraction fans in this or adjoining rooms running at maximum speed. (See next section for additional ventilation requirements)

**Max. Draught = 2.0mm Wg**  
**Min. Draught = 1.0mm Wg**

Note: A guide containing general information on Chimneys and Flues is obtainable from: -

The British Flue & Chimney Manufacturers' Association,  
FETA  
2 Waltham Court  
Milley Lane  
Hare Hatch  
Reading  
Berkshire RG10 9TH

Tel: 0118 9403416 e-mail: [info@feta.co.uk](mailto:info@feta.co.uk)

- 1.14 Where a hearth, fireplace, flue or chimney is provided or extended (including cases where a flue is provided as part of refurbishment work), information essential to the correct appliance and use of these should be permanently posted in the building, to meet Requirement J4 of the Building Regulations (England and Wales), F3.12 (Scotland).



# PRE-INSTALLATION CHECKS

<b>Model</b> Sheraton - 7016 / 7017 / 7027			Sheraton
Flue/Chimney Size	Without liner system round (diameter)	mm	150
		inch	6
	Without liner system (square) minimum dimension	mm	135
		inch	5 <sup>1</sup> / <sub>2</sub>
	With liner or factory made system (diameter) installed in accordance with manufacturers instructions	mm	150
		inch	6
Flue/Chimney minimum height*		m	4.5
		feet	15

\* When measured from the top of the stove to the top of the flue, with no horizontal sections and a maximum of 4 bends with angles of less than 45°

## 2. ADDITIONAL VENTILATION

- 2.1 Additional ventilation will be required to comply with the requirements of the Building Regulations. This should be provided using a permanently open air vent, of the size listed, which is positioned so that it is not liable to be blocked both inside and outside the building.
- 2.2 Extractor fans or cooker hoods should not be placed in the same room or space as the appliance.
- 2.3 **If any of these checks reveal problems do not proceed with the fitting of the appliance until they have been rectified.**

<b>Model</b> Sheraton - 7016/7017/7027		Sheraton
Additional Ventilation	mm <sup>2</sup>	1650
	cm <sup>2</sup>	16.5
	in <sup>2</sup>	2.55

# INSTALLATION INSTRUCTIONS

Because each installation is unique to the property, it is not possible to give full details to suit every setting. However, the installation should comply with the requirements of the Building Regulations and be made using "best practice" construction methods.

Remember that many fireplace openings will have a supporting lintel. Do not remove this without making provision to support the remaining structure of the building. **The stove must not form any part of the supporting structure or support the full flue system.**

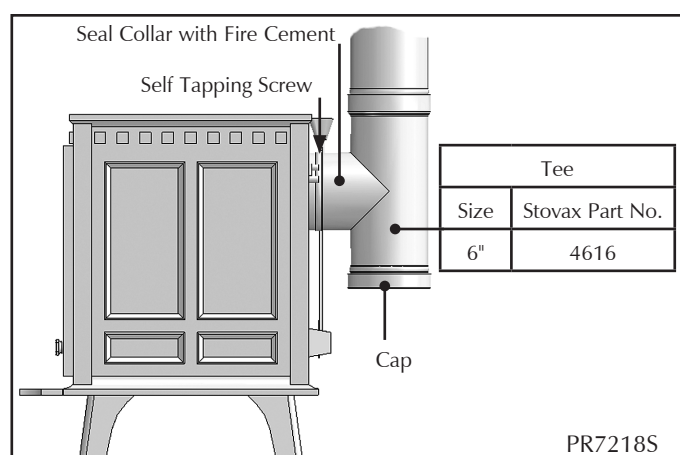
## 1. INSTALLING THE STOVE

- 1.1 **Care should be taken when handling and fitting stoves as it is possible to damage the finish with careless handling and use of tools.**
- 1.2 **Assemble the stove as detailed:**
- Remove cardboard and polystyrene packaging
  - Remove packaging between top baffle and top of stove by pulling it out through rear flue
  - Remove both doors and 4 packages (6 with thermostat model, ashpan and set of nuts and bolts from the stove
  - Remove the grate (fixed grate version only)
  - Lay the stove on its back, making sure the top baffle stays in position and is not damaged
  - Bolt the legs to the bottom of the stove, using 1 hexagonal bolt and 1 washer per leg
  - Return stove to the upright position
  - Fit thermostat (if applicable), following the rear view diagram opposite, after first removing the knock out panel by tapping the centre with a pointed hammer
  - Replace the grate, ashpan and doors, checking that the right-hand door closes tightly against the left-hand door
  - (Riddling grate version only) Slacken off central retaining bolt on riddling lever (see rear view diagram, page 4). Slide on telescopic lever extension as shown. Re-tighten bolt
  - Hook ash lip plate on to bottom front of stove
- 1.3 Decide if the installation is to be top or rear flue exit, and fit and seal, with fire cement, the flue collar and blanking plate to suit. The flue collar attaches to the stove backplate or top plate with hexagonal headed bolts. The blanking plate is fixed to the unused flue outlet with a clamping bar secured with a central bolt.

- 1.4 Lift the stove into position on the prepared hearth area, taking care not to damage the hearth finish. Level stove using foot adjusting bolts.
- 1.5 Connect the stove to the chimney system, using Stovax enamelled flue pipe and seal the connecting joints. Typical top and rear flue connections are shown.

### Rear flue pipe installation

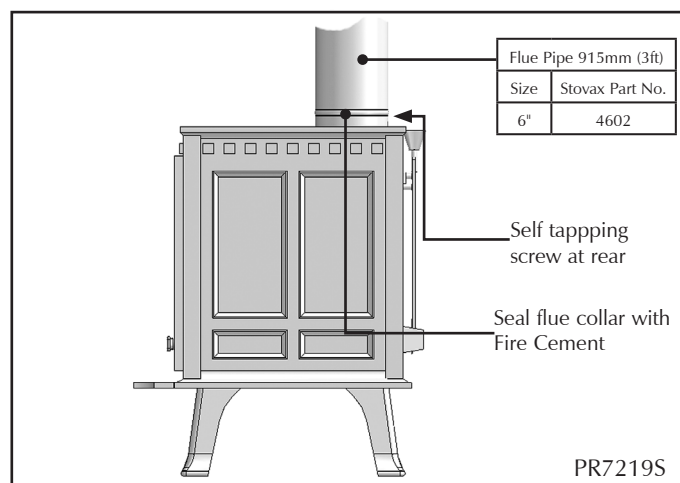
- 1.6 Typical rear flue installation. Flue to be installed in accordance with flue manufacturers instructions.



- 1.7 Connect a tee by inserting it into the flue spigot and sealing using fire cement and secure with a suitable self tapping screw. The cap supplied with the tee is used as the cleaning access. **Do not use a 90° elbow to make this connection.**

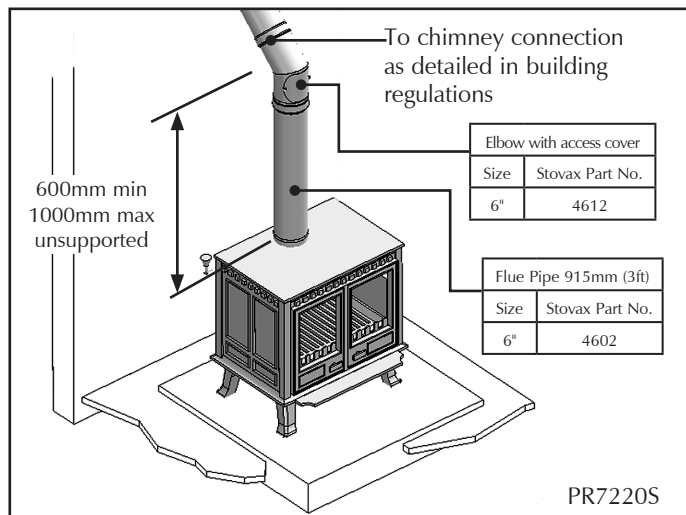
### Top flue pipe installation

- 1.8 Typical top flue installation. Flue to be installed in accordance with flue manufacturers instructions.



# INSTALLATION INSTRUCTIONS

- 1.9 Connect a straight piece of flue pipe by inserting it into the flue spigot and seal using fire cement and secure with a suitable self tapping screw.



## 2. REMOVAL OF THE LOG GUARD

- 2.1 Remove the log guard by lifting clear of the supporting brackets and rotating to clear the sides of the door opening. The stove should not be used without the log guard in position.

## 3. FITTING & REMOVAL OF FIREBRICKS (2 SIDES - 1 REAR)

- 3.1 As part of the routine maintenance of the stove you may have to remove the firebricks from the stove. This can be carried out without the use of tools.
- 3.2 Allow the stove to cool fully before removing firebricks.
- 3.3 Care should be taken when handling bricks, as they can become fragile after a period of use. This is normal and the life will depend on the type of fuels burnt and the level of use.
- 3.4 Damaged bricks should be replaced as soon as possible.
- 3.5 To remove the firebricks first remove the side bricks and then slide the rear bricks forward and then remove these.
- 3.6 Care should be taken when handling bricks, as they can become fragile after a period of use. This is normal and the life will depend on the type of fuels burnt and the level of use.

## 4. FITTING & REMOVAL OF THE BAFFLE

- 4.1 To maintain safe and efficient combustion the stove is fitted with a baffle in the top of the firebox.
- 4.2 Allow the stove to cool fully before removing baffle system.
- 4.3 Remove baffle support from front edge of baffle.
- 4.4 Slide right hand firebrick towards front of the stove. Lift up towards the centre and ease out.
- 4.5 Repeat the procedure with the left hand brick.
- 4.6 Replace baffles, starting with the upper left. Ease the upper right hand baffle into position by reversing the procedure above.
- 4.7 Replace both side firebricks and slide back into original positions.

# COMMISSIONING

- 1.1 Replace the firebricks, baffle, and log retainer.
- 1.2 Check the door alignment and catch operation, adjust if required.
- 1.3 Inspect the door seals for damage and check the operation of the air controls.
- 1.4 Carry out a final smoke draw test, by first warming the flue with a blowlamp, or similar, for about 10 minutes. Then place a smoke pellet on the centre of the grate, with the air controls open, and close the door. Smoke should now be drawn up the flue and be seen to exit from the flue terminal. This test should be completed with all doors and windows in the room where the stove is fitted closed. Should this test fail the suitability of the flue system and ventilation should be re-checked. An inadequate air supply to the room in which the stove is installed could lead to the escape of gasses which is potentially dangerous.
- 1.5 Light the appliance and gently allow the temperature to increase slowly to operating levels. Check that no combustion products are entering the room. When the stove has reached a steady operating condition open the main fire door and carry out a spillage test with a smoke match or pellet around the door opening.
- 1.6 If excessive spillage does occur allow the appliance to cool and re-check the suitability of the flue system and ventilation.
- 1.7 **Explain the safe operation of the stove and the use of the controls to the user, along with the need to only use suitable fuels. Also, explain the cleaning and routine maintenance requirements.**
- 1.8 **Explain the requirement to use a suitable fireguard when children, elderly or infirm persons may be near the appliance.**
- 1.9 **Record dealer/supplier details and installer details in *Instructions*.**
- 1.10 **Record serial number in *Instructions*.** This number will be required when ordering spare parts and making warranty claims, see *Section 1 General, page 4* for location.
- 1.11 **Give the copy of the *Instructions* to the customer.**

# MAINTENANCE and SERVICING

See chart on page 19 for common spare parts referred to in this section.  
For a complete list of spare parts and accessories contact your Stovax dealer for the Stovax Fireplace, Stove & Hearth Accessories brochure or call 01392 474011

## 1. GENERAL CLEANING

Before any cleaning is carried out, allow stove to cool thoroughly to avoid risk of burns.

- 1.1 We would recommend that your stove be cleaned fully on a regular basis, according to the level of use. Attention should be given to cleaning the baffle system, flueways and removing ash. Regular cleaning and preventive maintenance will help give many years of safe use.
- 1.2 Matt black stoves may be cleaned using either Stovax Collodial Black stove or Stovax Traditional Grate Polish. To refresh painted finishes it is possible to re-paint using Stovax Thermolac stove paint.
- 1.3 Enamel finishes may be cleaned using warm soapy water and a soft clean cloth. Wipe dry with a soft clean cloth before re-lighting. Do not leave unit without drying, as this may cause rust. **Do not use abrasive cleaner or cleaning pads to clean enamel finishes.**

## 2. CLEANING GLASS

- 2.1 While the correct use of the Airwash system, and good quality fuel, will generally keep the glass clean when the appliance is used you may sometimes need to clean the glass.
- 2.2 This can be done as follows. Allow the stove to cool fully, never attempt to clean hot glass. Any deposits can be removed using a soft cloth and Stovax Glass Cleaner (Stovax Part No 3046). Ensure the glass cleaner does not come into contact with painted or metal surfaces as it may damage the finish.
- 2.3 Before re-lighting the appliance, dry the glass fully.
- 2.4 **Do not use abrasive cleaner or cleaning pads.**

## 3. CHIMNEY SWEEPING

- 3.1 We would recommend that to maintain the safe and efficient use of the appliance the flue / chimney is inspected and swept **at least once a year**, by a NACS registered (UK only)/INFO registered (Ireland only) chimney sweep, who will issue you with a certificate.

## 4. ANNUAL SERVICE

At the end of the heating season it is recommended once the stove is cold to strip, inspect and clean as detailed:

- 4.1 Carefully remove all of the following internal parts; baffle, firebricks, \*complete grate, and \*ashpan (\*If multifuel stove). See sections 2, 3 and 4 (page 16) for the instructions

on how to remove the baffles and firebricks. Care should be taken when handling firebricks, as they can become fragile after a period of use.

- 4.2 Vacuum clean any remaining ash and debris from the inside of the stove. Stovax offer a filter/collection attachment for your vacuum cleaner to protect it from fire ash. Ash Clean (Stovax Part No. 2091).
- 4.3 Clean the internal surfaces of the stove using a wire brush and scraper as required. Vacuum and brush the resulting debris from the stove.
- 4.4 Clean the grate parts with a wire brush, and check the parts for any damage. Replace any damaged parts.
- 4.5 Check and clean the firebricks with a soft brush. Replace any broken bricks. It is normal for some surface damage to occur during use and the life will depend on the type of fuels burnt and the level of use. Damaged bricks should be replaced as soon as possible.
- 4.6 Re-fit cleaned internal parts.
- 4.7 Remove the glass from the door, see section 8, page 19 and discard all old rope seals.
- 4.8 Remove the door rope seal from the outer edge of the door and clean the old glue from the door sealing rope groove.
- 4.9 Clean the door glass using Stovax Stove Glass cleaner and a soft cloth. Do not use abrasive cleaners to remove tar or soot deposits from the glass.
- 4.10 Replace the glass edge seal with new and re-fit the glass into place in the door.
- 4.11 Fit new door rope seal, gluing it in place with Stovax Thermic Seal rope adhesive. Press the new door sealing rope into the locating groove, placing the joint in the middle of the lower edge of the door. When fitting new door seals we recommend closing the stove door and leaving for at least 12 hours before using. This allows the adhesive to fully bond to the seal before use.
- 4.12 Lightly oil the door catch mechanism and hinge pins. Avoid getting oil onto the door seals and glass.
- 4.13 To refresh painted finishes it is possible to re-paint using Stovax Thermolac stove paint.
- 4.14 We recommend that only genuine Stovax replacement parts are used to keep your appliance in safe and efficient working order. Your local Stovax dealer will be able to provide you with the genuine parts you require.



# MAINTENANCE and SERVICING

This is a list of the maintenance products you may need to use

Task	Product name	Stovax Code Number
Glass cleaning	Stove glass cleaner 500ml (wipe on)	4111
	Stove glass cleaner (spray on)	4103
Preventing build-up of creosote in flue	Protector (15 sachets)	7002
	Protector (1kg tub)	7025
Sealing flue pipe joints	Fire Cement (500g tub)	2020
	Fire Cement (600g cartridge)	2021
Re-painting	Thermolac Black (400ml aerosol)	2019
	Thermolac Black (200ml brush-on)	2057
Cleaning matt black stoves	Colloidal black (85ml)	7000
Protecting your hands	Heat resistant leather gloves	4008
Door sealing rope	10mm Soft rope seal	4948
Glass seal	Ceramic sealing strip (10 mpack)	4093
Glass sealing tape	3mm Black rope seal (handy pack)	4975
	3mm Black rope seal (25m reel)	4974
Thermic seal glue	(50ml bottle)	5037
Ash Clean	Vacuum Cleaner Attachment	2091

These products, all available from your local Stovax dealer, along with regular maintenance and use of the correct fuels, will help you to keep your stove in the best possible condition.

- 4.15 If you require more information about Stovax products visit our web site [www.stovax.com](http://www.stovax.com)
- 4.16 When using the stove for the first time again it is best to burn the fire at a low output for the first day of use. This will allow the new seals to settle and all new fixing glues and paint to fully cure.
- 4.17 During this time, the stove may give off some unpleasant odours, and we recommend that you keep the room well ventilated during this period to avoid a build-up of fumes.
- 4.18 If you require help, your local Stovax dealer will be able to carry out all of your service and maintenance requirements for a reasonable cost.

## 5. REMOVAL OF THE LOG GUARD

- 5.1 Remove the log guard by lifting clear of the supporting brackets and rotating to clear the sides of the door opening. The stove should not be used without the log guard in position.

## 6. FITTING & REMOVAL OF FIREBRICKS (2 SIDES - 1 REAR)

- 6.1 As part of the routine maintenance of the stove you may have to remove the firebricks from the stove. This can be carried out without the use of tools.
- 6.2 Allow the stove to cool fully before removing firebricks.
- 6.3 Care should be taken when handling bricks, as they can become fragile after a period of use. This is normal and the life will depend on the type of fuels burnt and the level of use.
- 6.4 Damaged bricks should be replaced as soon as possible.
- 6.5 To remove the firebricks first remove the side bricks and then slide the rear bricks forward and then remove these.
- 6.6 Care should be taken when handling bricks, as they can become fragile after a period of use. This is normal and the life will depend on the type of fuels burnt and the level of use.

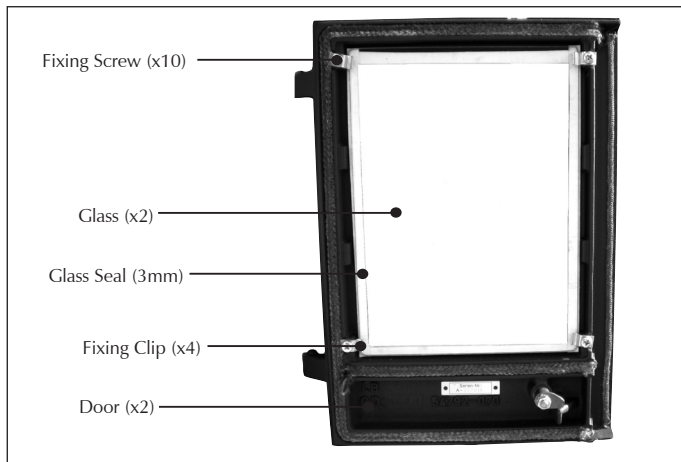
## 7. FITTING & REMOVAL OF THE BAFFLE

- 7.1 For instructions on the fitting and removal of the baffle system see *Section 4 Fitting & Removal of the Baffle page 16*.

## 8. FITTING A NEW DOOR GLASS ALL MODELS

- 8.1 To maintain the safe use of your stove you may need to replace a damaged door glass. To complete this operation, use this method.
- 8.2 Remove the door, by opening, removing the hinge pins and lifting the door free of the hinge blocks. Then lie the door face down on a soft flat surface, to protect the paintwork and glass.

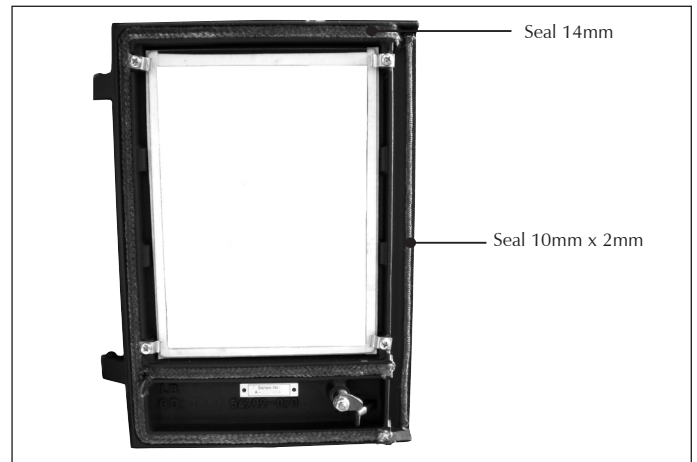
# MAINTENANCE and SERVICING



- 8.3 Using a screwdriver remove the glass clip fixing screws. The old glass can then be lifted clear of the door. (Note how the 3mm sealing rope is placed between the glass and the door.) Remember to dispose of the old glass safely.
- 8.4 Clean and re-paint the rear of the door if required. Clean the screws with light oil and coat with high temperature anti-seize grease, this will aid future removal.
- 8.5 Fit a new sealing rope between the new glass and the door, and place the glass into position in the door. Place the glass fixing clips in to position and re-fix with the clean fixing screws, tighten the screws evenly until the clips hold the glass. Do not over tighten the clips as this could break the glass.
- 8.6 Fit only original Stovax ceramic glass, which is suitable to use in high temperature applications.
- 8.7 Using the stove with a damaged door glass could cause dangerous fumes to enter the room, or the stove to overfire, resulting in damage.

## 9. FITTING A NEW DOOR SEAL ALL MODELS

- 9.1 To maintain the safe use of your stove you may need to replace a damaged or worn door sealing rope. To complete this operation, use this method.
- 9.2 Remove the door from the stove, by opening, removing the hinge pins and lifting the door free of the hinge blocks. Then lie the door face down on a soft flat surface, to protect the paintwork and glass.



- 9.3 Remove the old rope and scrape old glue from the locating groove. Clean the locating groove with a clean dry cloth to remove all old dust and debris.
- 9.4 Squeeze a generous bead of fresh Stovax Thermic Seal glue into the rope locating groove. Press the new Stovax rope into the locating groove, placing the joint in the middle of the lower edge of the door.
- 9.5 Refit the door and close the door to apply pressure to the new rope. Leave the stove closed for at least 12 hours before lighting the stove and using at a low output for approximately one day.
- 9.6 Using the stove with a damaged door seal could cause dangerous fumes to enter the room, or the stove to overfire, resulting in damage.



# BASIC SPARE PARTS LIST

Part No.	Description	Casting No.
SH1	Blanking Plate	54792/175
SH2	Flue Adapter	54792/180
SH4	Side Plate	54792/120
SH6	Front Plate	54792/060
SH7	Leg	54792/010
SH8	Lip Plate	54792/040
SH9	Base Plate	54792/030
SH10	Door Frame - LH	54792/025
SH11	Door Frame - RH	54792/070
SH13	Door Catch Assembly - RH	
SH16	Draught Adjuster	54792/062
SH17	Baffle - 2 piece	
SH18	Side Firebrick	
SH19	Rear Firebrick - 2 piece	
SH20	Airwash Plate	54792/065
SH21	Blanking Plate Clamp	54792/176
SH22	Grate, fixed	54792/055
SH23	Base Plate, for fixed grate (2pc)	54792/050
SH30	Smoke Leader	54792/210
SH31	Thermostat Assembly	
SH32	Back Plate	54792/150

Part No.	Description	Casting No.
SH33	Long Leg	54792/020
SH34	Ashpan	
SH36	Door Handle Assembly, LH	
SH37	Riddling Grate	54792/057
SH38	Riddling Grate Support	54792/052
SH39	Front Grate Frame	54792/058
SH40	Back Grate Frame	54792/059
SH41	Riddling Lever Tool	54792/485
SH42	Riddling Lever Extension	54792/490
SH43	Top Plate	54792/120
SH44	Implement Tool, ashpan	
SH45	Riddling Lever	
SH46	Baffle Support	
SH51	Glass Clip Screw	
SH53	Door Complete - LH	
SH54	Door Complete - RH	
SH55	Riddling Connecting Rod	
SH56	Spring, draught adjuster	
SH57	Knob, draught adjuster	
GL0038	Door Glass	
BR43	Glass Panel Clip	

# CARE OF YOUR STOVE

To help you get the best performance from your Stove and keep it in good condition, inside and out, Stovax offers a wide range of cleaning and maintenance products as well as a host of accessories to help you enjoy the maximum pleasure from your stove. Your Stovax retailer will be able to provide full details but here is a brief list of items that may be of interest:

Product Code	Description
3047	Extra long matches
4293	Fire lighters
5039	Gas lighter
4052	Log basket
3048	Wood sling - for easy carrying of logs
3016	Log tongs
4027	Extra long protective gloves
3046	Stove pipe thermometer
5038	Hearthgate - 5 section (for areas 1780x610mm)
5044	Hearthgate - 7 section (for areas 1780x405mm)
4227	Ash caddy - 382x102x306mm
4228	Ash caddy - 446x102x306mm
4229	Ash caddy - 382x102x459mm
4230	Ash caddy - 637x127x408mm
4231	Ash caddy - 306x178x459mm
2091	Ashclean vacuum cleaner attachment
4232	Steel brush



Your retailer will also be able to provide genuine spare parts such as replacement glass, door sealing rope and fire bricks, as and when required. Remember, an annual service is recommended to keep your appliance in best possible condition.







# SERVICE RECORDS

## 1ST SERVICE

Date of Service:.....

Next Service Due:.....

Signed:.....

Dealer's Stamp/HETAS Registration Number

## 3RD SERVICE

Date of Service:.....

Next Service Due:.....

Signed:.....

Dealer's Stamp/HETAS Registration Number

## 5TH SERVICE

Date of Service:.....

Next Service Due:.....

Signed:.....

Dealer's Stamp/HETAS Registration Number

## 7TH SERVICE

Date of Service:.....

Next Service Due:.....

Signed:.....

Dealer's Stamp/HETAS Registration Number

## 9TH SERVICE

Date of Service:.....

Next Due:.....

Signed:.....

Dealer's Stamp/HETAS Registration Number

## 2ND SERVICE

Date of Service:.....

Next Service Due:.....

Signed:.....

Dealer's Stamp/HETAS Registration Number

## 4TH SERVICE

Date of Service:.....

Next Service Due:.....

Signed:.....

Dealer's Stamp/HETAS Registration Number

## 6TH SERVICE

Date of Service:.....

Next Service Due:.....

Signed:.....

Dealer's Stamp/HETAS Registration Number

## 8TH SERVICE

Date of Service:.....

Next Due:.....

Signed:.....

Dealer's Stamp/HETAS Registration Number

## 10TH SERVICE

Date of Service:.....

Next Service Due:.....

Signed:.....

Dealer's Stamp/HETAS Registration Number

# EC Declaration of Conformity



The undersigned, representing the following :

Manufacturer
<b>Stovax Ltd</b>
Falcon Road, Sowton Industrial Estate Exeter EX2 7LF

Herewith declare that the products :

Description	Product code
Sheraton Wood	7016
Sheraton M/F - Fixed grate	7017
Sheraton M/F - Riddling grate	7027

Description of product : Sheraton domestic wood and multifuel heating stove product range  
Cast iron stove body fitted with cast iron door sets, various decorative trim and firegrate options. Supplied in various sizes to give a range of heat output options.

are in conformity with the provisions of the following EC Directive(s) when installed in accordance with the installation instructions in the product documentation :

98/106/EEC Construction Products Directive

and the standards referenced below have been applied :

EN 13240 : 2001 Roomheaters fired by solid fuel – Requirements and test methods

Product : Roomheater fired by solid fuel as covered under the scope of the standards listed. Intended use : Space heating in residential buildings.		
Characteristic	Performance	Report
Fire safety	Satisfies	
Emission of combustion products	Sheraton Wood(7016) CO @ 13% O <sub>2</sub> Wood 0.24% Sheraton M/F - Fixed grate (7017) CO @ 13% O <sub>2</sub> Wood 0.24% - Briquetted fuel 0.07% Sheraton M/F - Riddling grate (7027) CO @ 13% O <sub>2</sub> Wood 0.24% - Briquetted fuel 0.07%	
Release of dangerous substance	None	
Surface temperature	Satisfies	
Mechanical resistance (to carry a chimney/flue)	Maximum weight to be supported 25Kg	
Thermal output / Efficiency	Sheraton Wood(7016) Wood 8.0Kw @ 80% - Briquetted fuel 8.0Kw @ 84% Sheraton M/F - Fixed grate (7017) Wood 8.0Kw @ 80% - Briquetted fuel 8.0Kw @ 84% Sheraton M/F - Riddling grate (7027) Wood 8.0Kw @ 80% - Briquetted fuel 8.0Kw @ 84%	

Test laboratory : 1641

Name : D. J. Saunders

Position : Design Engineer

Signature :

Date : 22 / 08 / 2007

Sheet 1 of 1

# STOVAX

Stovax Ltd, Falcon Road, Sowton Industrial Estate, Exeter, Devon, England EX2 7LF

Tel: (01392) 474011 Fax: (01392) 219932 E-mail: [info@stovax.com](mailto:info@stovax.com) [www.stovax.com](http://www.stovax.com)