

# STOVAX

*Fire Your Imagination*

## Riva Vision

### Wood & Multi-fuel Freestanding Stove



## Instructions for Use, Installation & Servicing

For use in GB & IE (Great Britain & Republic of Ireland).

### **IMPORTANT**

**THE OUTER CASING, FRONT AND GLASS PANEL BECOME EXTREMELY HOT DURING OPERATION AND WILL RESULT IN SERIOUS INJURY AND BURNS IF TOUCHED. IT IS THEREFORE RECOMMENDED THAT A FIREGUARD COMPLYING WITH BS 8423:2002 IS USED IN THE PRESENCE OF YOUNG CHILDREN, THE ELDERLY OR INFIRM.**

Do not attempt to burn rubbish in this appliance.

Please read these Instructions carefully before installation or use.

Keep them in a safe place for future reference and when servicing the fire.

The commissioning sheet found on page 3 of these instructions should be completed by the Installer.

# Contents

## Riva Vision - Freestanding Stove

Covering the following models:

- Riva Vision Small - RVN-SMW/RVN-SMM
- Riva Vision Midi - RVN-MIDW/RVN-MIDM
- Riva Vision Medium - RVN-MEDW/RVN-MEDM

<b>Appliance Commissioning Checklist</b> .....	<b>3</b>
<b>User Instructions</b> .....	<b>4</b>
Getting Started .....	4
User Instructions .....	6
Care & Maintenance.....	10
<b>Troubleshooting</b> .....	<b>12</b>
<b>Installation Instructions</b> .....	<b>14</b>
Installation Checklist.....	14
Pre-Installation Instructions .....	18
Installing the Appliance.....	21
Commissioning .....	26
<b>Maintenance &amp; Servicing</b> .....	<b>28</b>
<b>Technical Appendix</b> .....	<b>30</b>
Spare Parts List.....	34
EC Declaration Of Conformity .....	38
Service Records .....	39



To receive your Extended Warranty your Stovax appliance must have been purchased from our Expert Retailer Network and registered within one month of purchase or installation. Please note that all warranties are effective from the date of purchase. Any Stovax product purchased outside of our Extended Retailer Network, or not registered within the stated time will carry a standard 12 month warranty.

It is a condition of the Extended Warranty that the installation complies with the relevant Building Regulations and is carried out by a suitably trained and qualified individual (HETAS in the UK or equivalent in other countries) with the certificate of installation and the Commissioning Report on Page 3 completed and retained by the end user.

Full terms and conditions are detailed in the Warranty Statement on the Stovax website [www.stovax.com](http://www.stovax.com). In the event of any conflict of information the wording on the website shall prevail.

Important Note: Should any problems be experienced with your product, claims must first be submitted to the Expert Retailer where the appliance was purchased from who will offer immediate assistance or contact Stovax on your behalf.

### DESIGN PROTECTION

The Vision design, including frames and accessories, is protected by Community Design Registration No. 001169338-0001 to Stovax Ltd

# Appliance Commissioning Checklist

To assist us in any guarantee claim please complete the following information:-

**Dealer appliance was purchased from:**

Name:

Address:

Telephone number:

**Essential information - MUST be completed:**

Date Installed:

Model Description:

Serial Number:

**Installation Engineer:**

Company Name:

Address:

Telephone number:

**Commissioning Checks - to be completed and signed:**

Is flue system correct for the appliance:	YES <input type="checkbox"/>	NO <input type="checkbox"/>
Flue swept and soundness test complete:	YES <input type="checkbox"/>	NO <input type="checkbox"/>
Smoke test completed on installed appliance	YES <input type="checkbox"/>	NO <input type="checkbox"/>
Spillage test completed	YES <input type="checkbox"/>	NO <input type="checkbox"/>
Use of appliance and operation of controls explained	YES <input type="checkbox"/>	NO <input type="checkbox"/>
Clearance to combustible materials checked	YES <input type="checkbox"/>	NO <input type="checkbox"/>
Instruction book handed to customer	YES <input type="checkbox"/>	NO <input type="checkbox"/>
CO Alarm Fitted	YES <input type="checkbox"/>	NO <input type="checkbox"/>

Signature: ..... Print Name: .....

# Getting Started

## Welcome

*Congratulations on purchasing your Stovax Riva Vision, if installed correctly Stovax hope it will give you many years of warmth and pleasure for which it was designed.*

*The purpose of this manual is to familiarise you with your stove, and give guidelines for its installation, operation and maintenance. If, after reading, you need further information, please do not hesitate to contact your Stovax retailer.*

## 1. General Points

- 1.1 Before installation and/or use of this appliance please read these instructions fully and carefully to ensure that you have fully understood their requirements.

**The appliance must be fitted by a registered installer\*, or approved by your local building control officer.**

- 1.2 All local regulations, including those referring to national and European Standards need to be complied with when installing the appliance.
- 1.3 Only use for domestic heating in accordance with these operating instructions.
- 1.4 You must burn only approved fuels. Do not use with liquid fuels or as an incinerator.
- 1.5 Appliance surfaces become very hot when in use. Use a suitable fireguard<sup>‡</sup> if young children, elderly or infirm persons are present. Stovax offer firescreens, sparkguards and hearthgate systems for protection. Your Stovax dealer can advise you about these products.
- 1.6 Do not place photographs, TV's, paintings, porcelain or other combustible items on the wall or near the appliance. Exposure to hot temperatures will cause damage. Do not place furniture or other items such as drying clothing closer than 1m from the front of this appliance.
- WARNING:** Extra fuel should not be stored on or next to the appliance. Only keep enough fuel for immediate use nearby and never leave the appliance unattended for long periods with any combustible material in close proximity.
- 1.7 Extractor fans or cooker hoods must not be placed in the same room or space as this can cause appliance to emit fumes into the room.
- 1.8 Do not obstruct inside or outside ventilation required for the safe use of this appliance.
- 1.9 Do not make unauthorised changes to the appliance.



**‡In the U.K. these products must conform to the latest edition of BS 8423, Fireguards for use with solid fuel appliances.**

**If appliance is operating unattended they must conform to the latest edition of BS 3248**

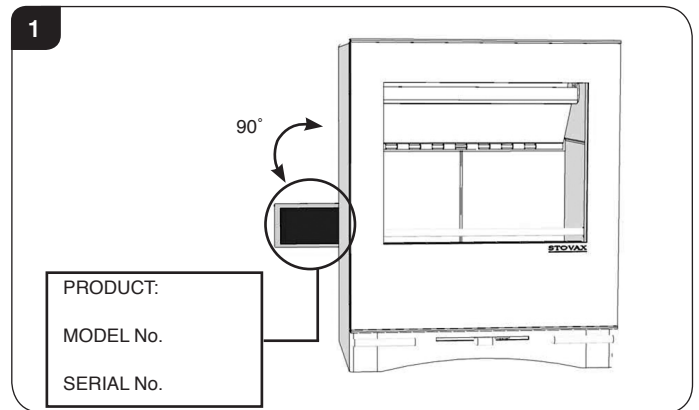
**\*Registered on the Competent Persons Scheme (GB only see page 33/ INFO (Republic of Ireland).**

- 1.10 The chimney must be swept at least once a year. See Section 12.
- 1.11 Do not connect, or share, the same flue or chimney system with another appliance.

## SERIAL NUMBER

- 1.12 This number is required when ordering spare parts or making warranty claims.

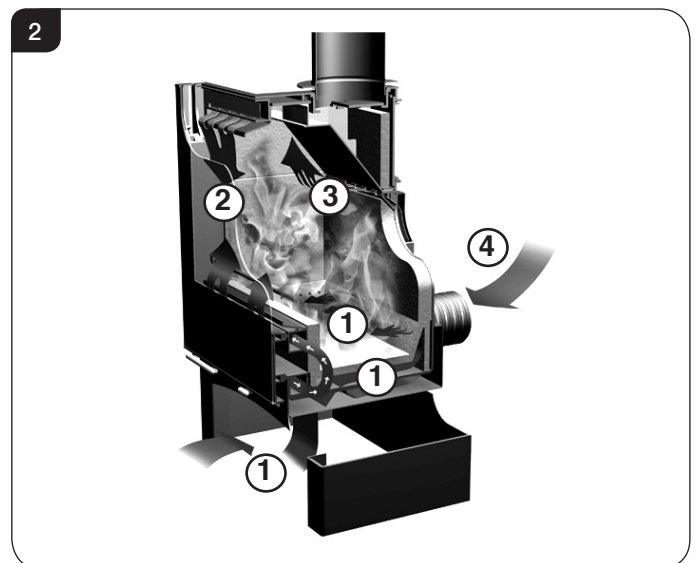
The data is located on the back left side of the appliance on a plate that rotates 90°, See Diagram 1.



## AIR CONTROLS

### Cleanburn Technology and Convector Efficiency

Riva appliances incorporate the latest cleanburn technology with a unique 'Opti-Burn' setting in order to burn fuels with greater efficiency. Unlike conventional stoves the Vision offers improved running, flexibility and precise combustion control via a singular lever control to make the appliance more user friendly.



1) Primary Air - burns the fuel under the fuel bed. For use with solid fuel and initially with wood fires.

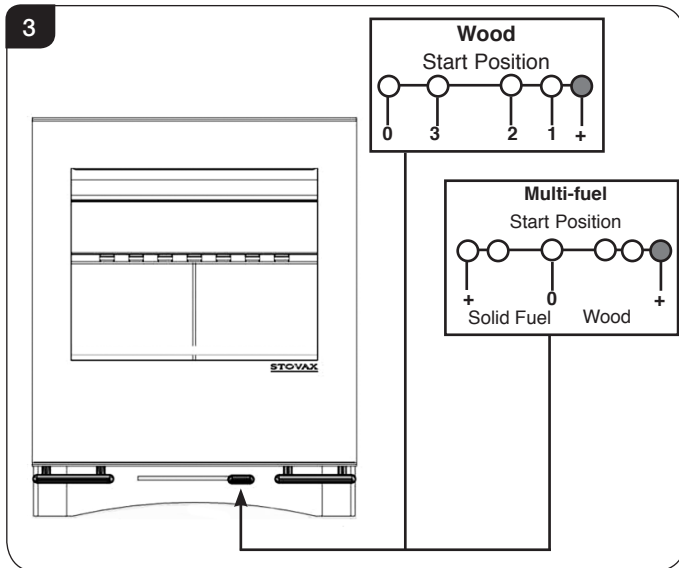
2) Airwash - air drawn over the window cleans the glass. The source of Primary Combustion air when burning wood.

# Getting Started

3) Clean burn - Secondary air is preheated through a heat exchanger to combust unburned hydrocarbons, providing a cleaner and more efficient burn.

4) Outside air (optional extra).

## RIVA VISION AIR CONTROLS

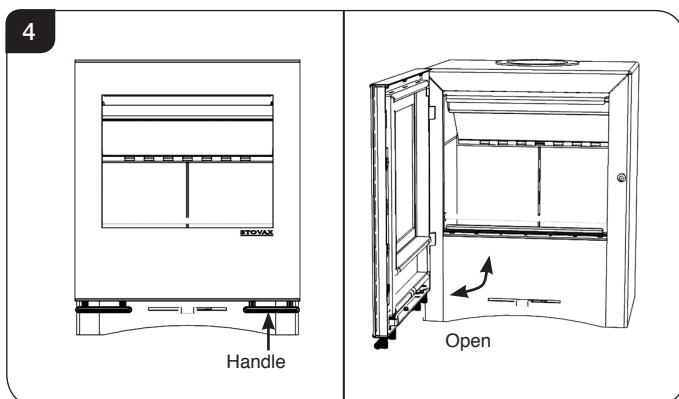


## DOOR HANDLE

**DO NOT OPEN THE DOOR WITH BARE HANDS**

DO NOT OPEN THE DOORS WHEN THE FIREBOX IS FULL OF FLAMES - WAIT FOR THEM TO DIE DOWN.

- 1.13 To open and close:  
Push the right hand door handle upwards to release the catch. The door opens right to left, See Diagram 4.



## WARNING



Properly installed, operated and maintained, this appliance will not emit fumes into the room. Occasional fumes from de-ashing and refuelling may occur.

Persistent fume emission is potentially dangerous and must not be tolerated.

If fume emission does persist:

- Open doors and windows to ventilate the room.
- Leave the room.
- Allow fire to burn out and safely dispose of fuel from the appliance.
- Check for chimney blockage and clean if required.
- Do not attempt to relight until the cause of the emission has been identified and corrected
- If necessary seek expert advice.

• All open flued appliances can be affected by temporary atmospheric conditions which may allow fumes to enter the house. Because of this an electronic carbon monoxide detector conforming to the latest edition of BSEN50292 must be fitted in the same room as the appliance. The existence of an alarm must not be considered a substitute for ensuring regular servicing and maintenance of the appliance and chimney system.

**IF THE ALARM SOUNDS FOLLOW THE INSTRUCTIONS GIVEN UNDER WARNING ABOVE.**

## 2. Using the Appliance for the First Time

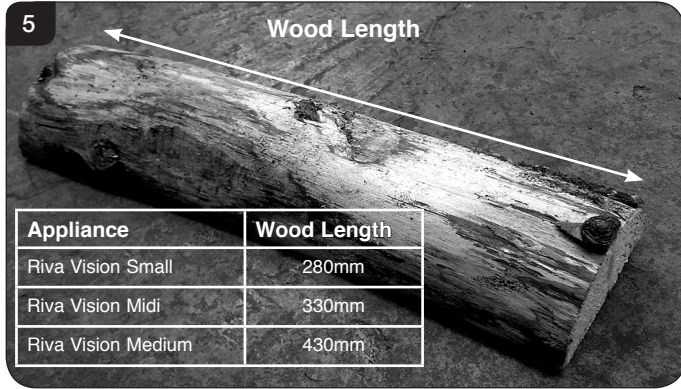
- 2.1 To allow the appliance to settle, and fixing glues and paint to fully cure, operate the appliance at a low temperature for first few days.
- 2.2 Do not touch the paint during the first period of use.
- 2.3 During this time the appliance may give off some unpleasant odours. Keep the room well ventilated to avoid a build-up of fumes.
- 2.4 Please be aware that, during use, rope seals may discolour. This is normal.

# Getting Started/User Instructions

## 3. Recommended Fuels

### 3.1 Wood Logs:

Burn only seasoned timber with a moisture content of less than 20%. To ensure this allow cut wood to dry for 12 to 18 months.



Poor quality timber:

- Causes low combustion efficiency
- Produces harmful condensation
- Reduces effectiveness of the airwash and life of the appliance

**Do not burn construction timber, painted, impregnated / treated wood, manufactured board products or pallet wood.**

### 3.2 Solid fuel:

- Burn only anthracite or manufactured briquette smokeless fuels listed as suitable for use with closed heating appliances

**Do not burn bituminous coal, 'petro-coke' or other petroleum based fuels as this will invalidate the product guarantee.**

### 3.3 Fuel consumption.

As tested at nominal heat output to the requirements of EN 13240: 2001 for intermittent operation:

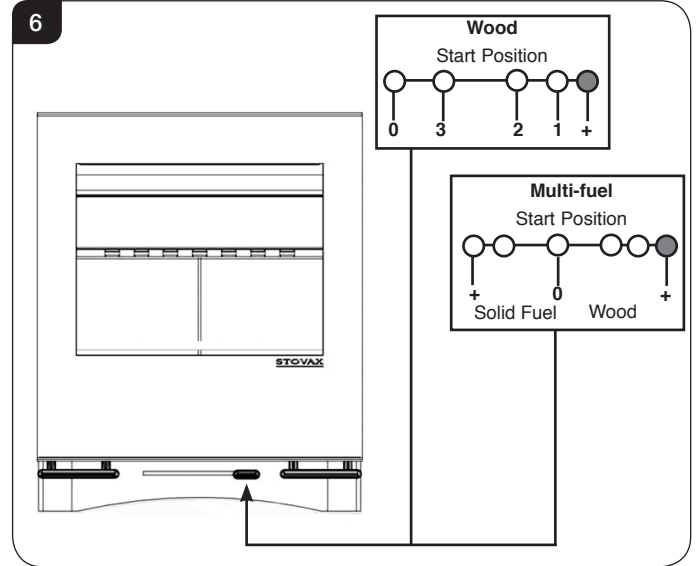
Description		Fuel Consumption	
		Kg/hour Wood	Kg/hour Briquette Smokeless fuel
Small Wood	RVN-SMW	1.62	-
Small M/F	RVN-SMM	1.62	0.80
Midi Wood	RVN-MIDW	2.30	-
Midi M/F	RVN-MIDM	2.30	1.10
Medium Wood	RVN-MEDW	2.62	-
Medium M/F	RVN-MEDM	2.62	1.20

3.4 For advice on suitable solid fuels contact your local approved coal merchant\*.

A number of factors can affect the performance of the appliance. See *Troubleshooting Section* for details.

## 4. Lighting the Appliance

4.1 For best results set air controls as shown (See Diagram 6).



4.2 Place firelighters or paper and dry kindling wood on the base bricks.

4.3 Light the paper or firelighters, See Diagram 7.



4.4 Leave the door slightly open as the fire establishes and the glass warms to avoid build up of condensation.

4.5 Add larger pieces of wood. Too many logs may smother the fire.

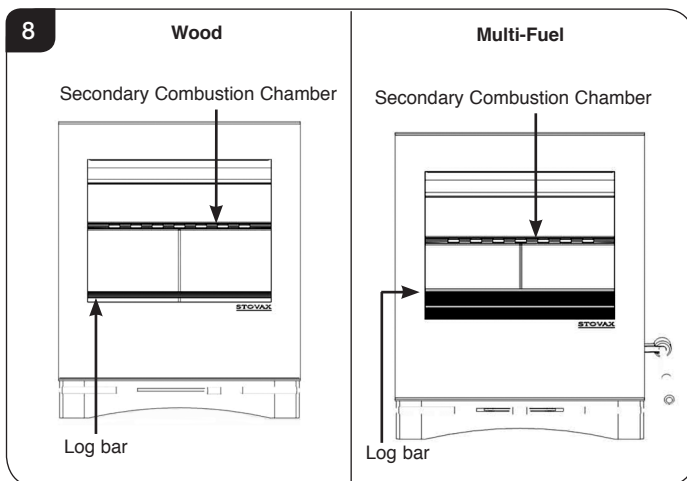
**Do not load fuel above the log guard and the secondary combustion chamber at the back of the firebox, See Diagram 8.**



\*In the U.K:

- Ring the Solid Fuel Association advice line on 0845 601 4406 for details
- Visit their web site at [www.solidfuel.co.uk](http://www.solidfuel.co.uk)

# User Instructions

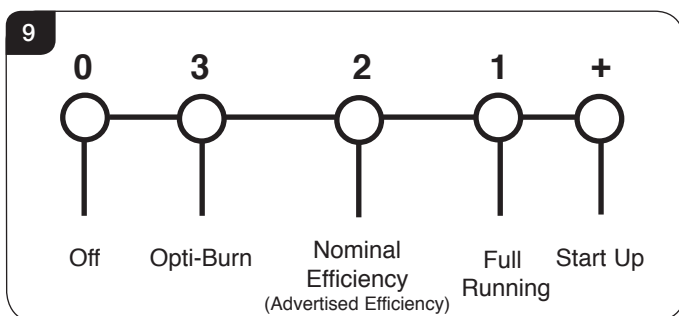


4.6 Close the door.  
**Do not leave the door open as this could over-fire and damage the appliance.**

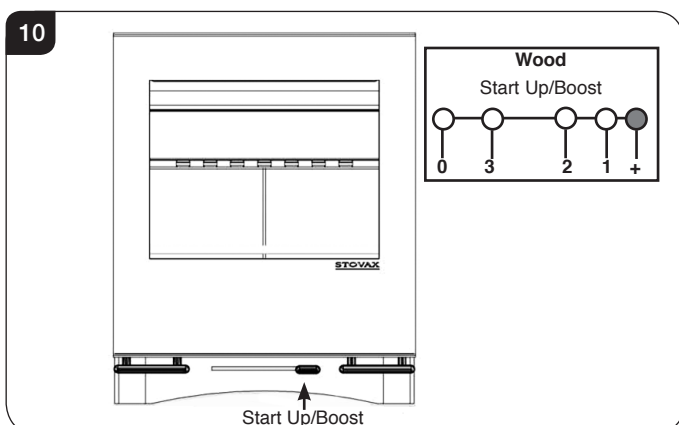
## 5. Running the Appliance

### Wood Burning Stove

5.1 There are several setting that can be used when burning wood, See Diagram 9.



5.2 **Boost Setting/Start Up**

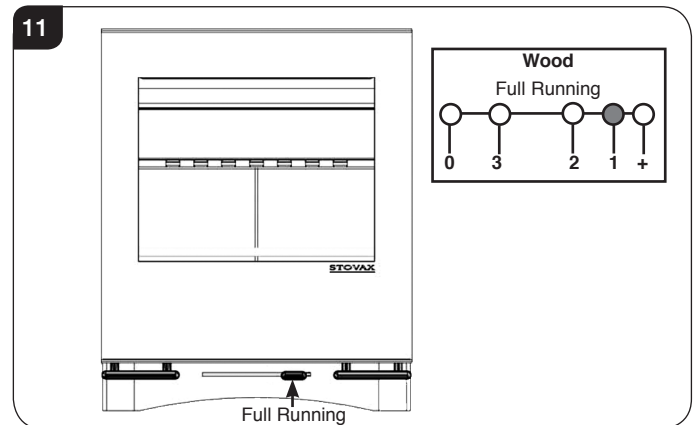


Use the Boost/Start Up setting to establish the fire and during the initial moments of refuelling.  
Do not run for long periods of time on this setting as this could over fire the appliance or damage the glass.

Once the fire is established:

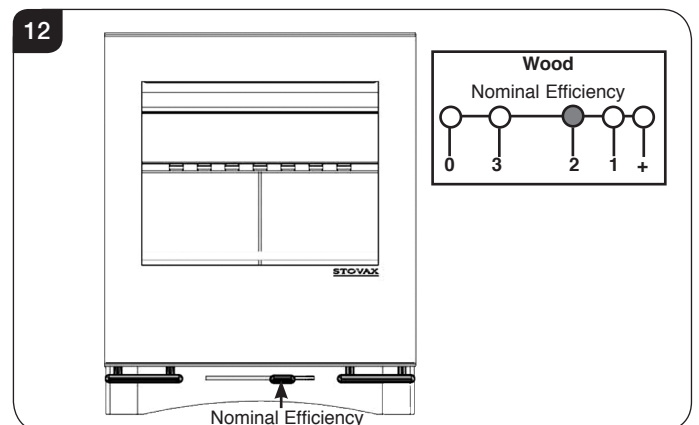
— Move the control lever to the left.  
The notched settings should be used as a guide. The stove can be burnt with the control anywhere along its length.

5.3 **Full Running**



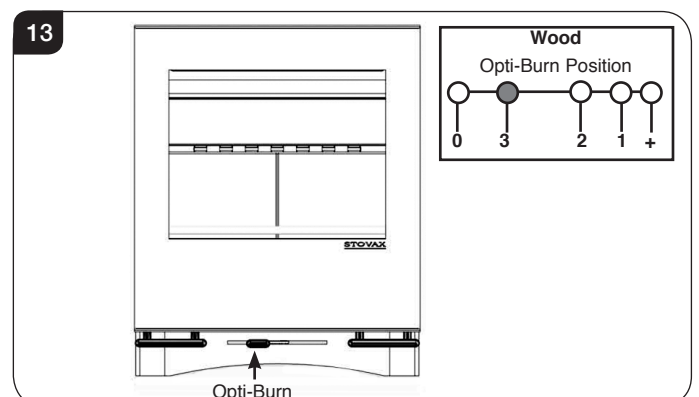
The Full Running setting allows the appliance to burn at the maximum output when burning wood. Take care not to over fire the appliance.

5.4 **Nominal Efficiency**



The Nominal Efficiency setting burns wood at the most efficient output.

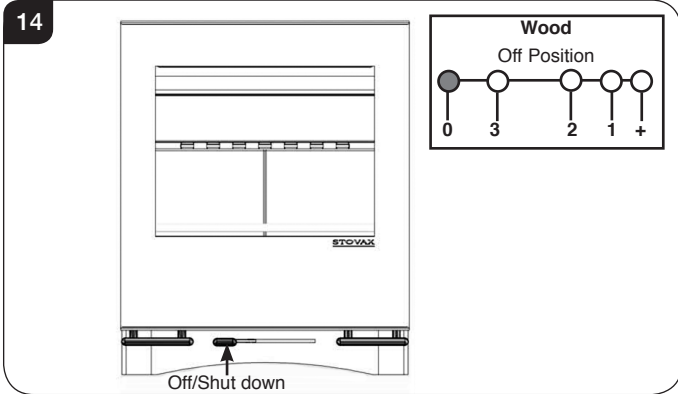
5.5 **Opti-Burn**



# User Instructions

The Opti-Burn setting is the lowest heat output for burning wood. This position helps keep the glass clean whilst efficiently burning fuel.

## 5.6 Off/Shut Down



The Off/Shutdown setting for burning wood closes the fire down and turns the appliance off. This position does not keep the glass clean.

## 5.7 Burn new logs on the Start Up/Boost setting for a few minutes before adjusting the control.

- Refuel little and often for clean, efficient burning.
- Rake the embers evenly over the fire bed taking care not to damage the brick.

## 5.8 Experience establishes settings to suit personal preferences.

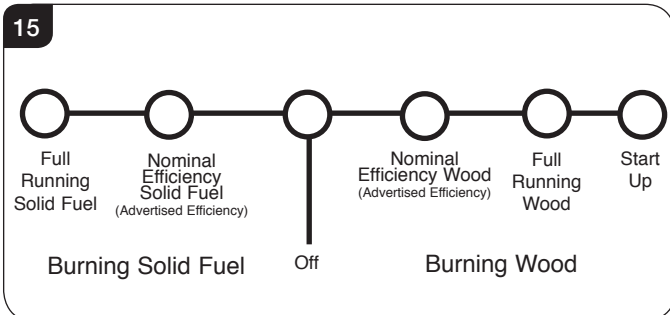
## 5.9 Do not burn large amounts of fuel with the **Control** closed (Off position) for long periods of time. This reduces the glass cleaning effect and causes tars and creosotes to build-up in the appliance and flue system.

## 5.10 When in use, burning the appliance at high output (Start Up/ Boost) for a short period each day also reduces tars and creosote.

## Multi-fuel Stove

### 5.11 The Solid Fuel setting is from the Centre to the Left.

The Wood burning setting is from the Centre to the Right.

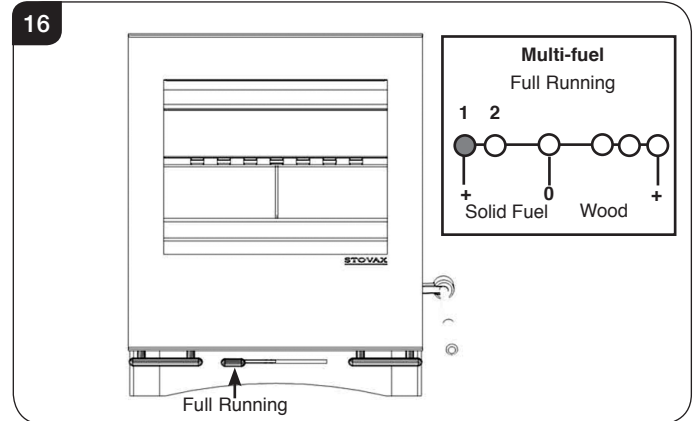


## Burning Solid Fuel

Once the fire becomes established:

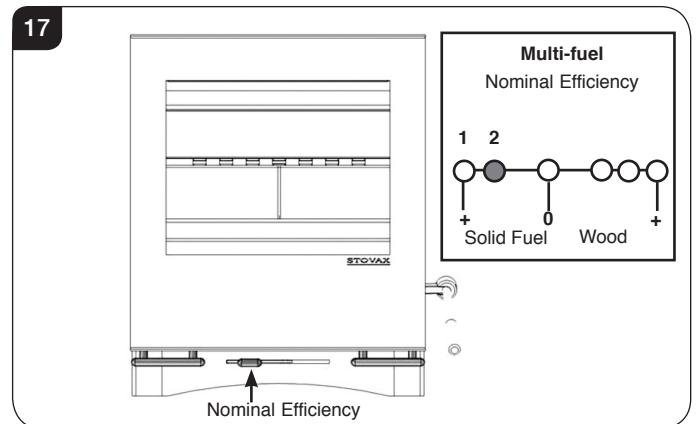
- Move the control from the wood start up position (see Diagram 5) to the Multi-fuel position on the left. A notch will locate the arm in the correct position.

## 5.12 Full Running



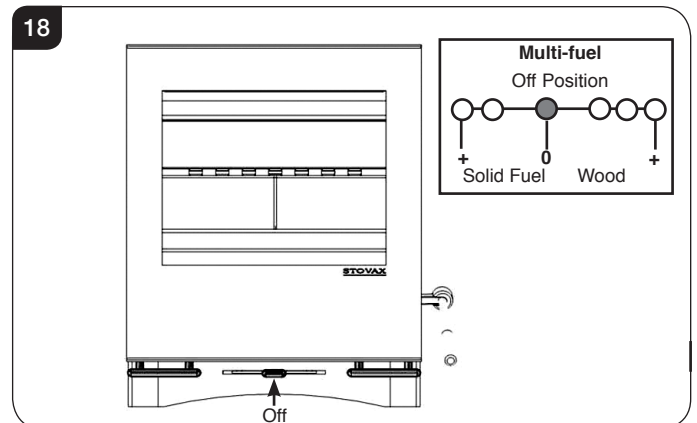
The Full Running position gives full heat output for burning solid fuel but may discolour the glass.

## 5.13 Nominal Efficiency



The Nominal Efficiency setting burns solid fuel at the most efficient output. This position helps keep the glass clean.

## 5.14 Off Position





# User Instructions

The Off/Shutdown setting for closes the fire down and turns the appliance off. This position does not keep the glass clean.

- 5.15 For Wood Burning settings on the Multi-fuel appliance refer to sections 5.2 - 5.4. Please note there is no Opti-Burn setting. This can be achieved by setting the control between Nominal Wood Efficiency and Off positions.
- 5.16 De-ash the fire bed before re-fuelling (see *Ash Removal Section 7*).
  - Open the **Control** fully to establish a glowing bed before adding new fuel.
  - Burn new fuel at high output for a few minutes before adjusting the **Control** to the desired setting.
  - Refuel little and often for clean, efficient burning.
- 5.17 Experience establishes control settings to suit personal preferences.
- 5.18 Do not burn large amounts of fuel with the **Control** on low settings for long periods of time. This reduces the glass cleaning effect of the airwash and causes tars and creosotes to build-up in the appliance and flue system.
- 5.19 When in use, burning the appliance at the Start Up/Boost setting for a short period each day also reduces tars and creosote.
- 5.20 **You must burn only anthracite or smokeless fuels suitable for use in closed appliances.**
- 5.21 **Do not burn bituminous coal, 'petro-coke' or other petroleum based fuels as this invalidates the product guarantee.**

**Do not load fuel above the log guard and the secondary combustion inlets at the back of the firebox, See Diagram 7.**

## Shut Down

- 5.7 If there is still burning fuel in the firebox, Stovax do not recommend shutting down the air controls completely unless there is a chimney fire in progress (see Section 9 for advice). Closing the control during the burning process will cause poor combustion and could lead to a build up of gasses that could ignite dangerously.
- 5.8 Always have enough air entering the stove to maintain some flame within the firebox.
- 5.9 If it is necessary to shut down the appliance then run on a high setting until all of the fuel has been burnt before closing the air controls.

## 6. Extended Burning

- 6.1 It is possible to get the appliance to burn for extended periods of time. In order to do this:
  - De-ash prior to final refuelling.
  - Burn new fuel at a high temperature for a few minutes before adjusting the **Control**.
  - Set air controls to low combustion settings. This will gradually blacken the glass but it will clear when operated at a high temperature for a short period.

## 7. Ash Removal

**Do not allow ash to build up as it may cause damage and adversely effect the performance of the appliance. Warning: Ash can remain hot long after appliance has been in use.**

### 7.1 Wood

- Open Doors, See Diagram 11.
- Leave a layer of ash to start the new fire on. Wood burns best on a bed of ash (approx. 25mm (1") deep).
- Remove ash with a small shovel and place into a Stovax Ash Caddy (Stovax Part No. 4227) or other suitable container.

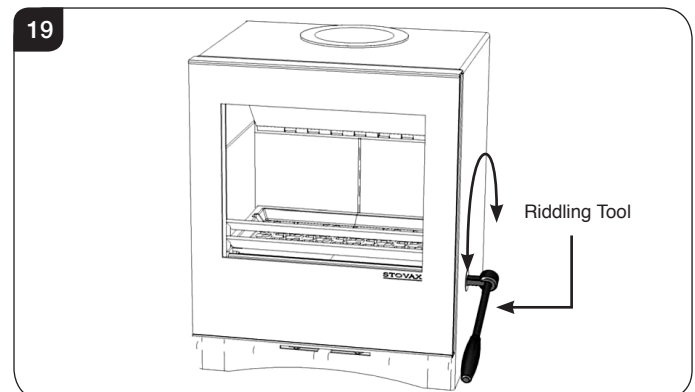
**Do not place hot ash in any container made from plastic or any other combustible material.**

- De-ash at least once a week.

### 7.2 Solid Fuel

De-ash the appliance before filling with new fuel. Do not allow ash to build up on the underside of the grate as this can cause premature failure.

- Insert the Riddling Tool into the socket as shown in Diagram 19.



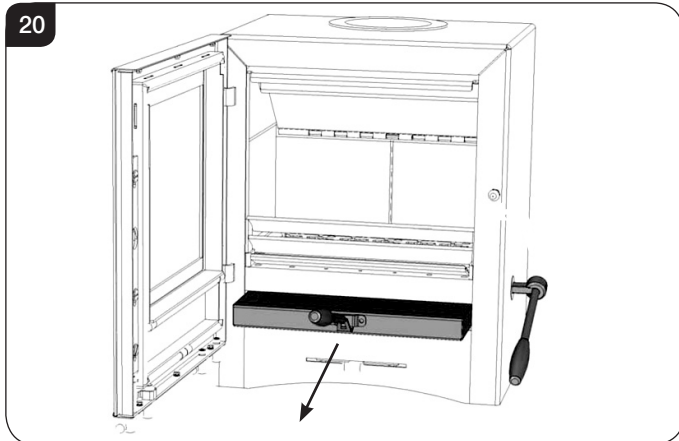
- Rotate the Riddling Tool backward and forward 3 or 4 times to remove the ash. Do not force the handle beyond its natural stop point. The ash will fall into the ashpan.

# User Instructions

7.3 Open the door.

**Warning: Ash can remain hot long after appliance has been in use.**

Using gloves, carefully remove ashpan using tool supplied, See Diagram 20.



Place the ash into a Stovax Ash Caddy (Stovax Part No. 4227) or other suitable container.

Check and remove ash as often as required when burning solid fuel.

De- ash at least once a week.

Do not place hot ash in a container made from plastic or any other combustible material.

## 8. Over-Firing

8.1 Do not over-fill with fuel or run at high temperatures for long periods or over-firing can occur.  
**DO NOT OPERATE THE APPLIANCE WITH THE CONTROL ON FULL FOR LONG PERIODS OF TIME AS THIS COULD CAUSE OVER-FIRING AND MAY CAUSE PERMANENT DAMAGE.**

8.2 **Over-firing can cause permanent damage to the appliance and invalid the product warranty.**

## 9. Chimney Fire

9.1 If a chimney fire occurs:

- Shut all air controls immediately.
- Evacuate the building.
- Call the fire brigade.
- Do not re-enter the building until it is confirmed safe.

9.2 **Do not use the appliance after a chimney fire until:**  
a) It has been inspected by a registered installer\*, confirming the appliance is safe to use.

b) The chimney system has been inspected and swept by a chimney sweep, confirming the system is structurally sound and free from obstruction\*.

c) **It is repaired as required before re-use.** Use only genuine Stovax replacement parts to keep your appliance in safe, efficient working order.

## 10. General Cleaning

10.1 Clean and inspect the appliance regularly, especially in periods of heavy use. Regular cleaning and maintenance will help give many years of safe use.

**Allow appliance to cool thoroughly to avoid risk of burns.**

Clean regularly, according to level of use.

Remove the ash completely (see *User Instructions, Section 7*).

Check internal components for damage - grates, bricks, baffles - and for obvious build up of soot, ash or debris above the flue baffle(s) (these can be found in the upper part of the firebox). Use a torch if necessary.

If there are any signs of a build up of debris above the flue baffle(s) either:

– Arrange for the chimney to be swept (see *User Instructions, Section 12*).

– Remove the baffles and clear the debris (see *Pre-Installation Instructions*).

To refresh painted finishes a touch up spray is available. Contact your Stovax retailer quoting the serial number found on the appliance data badge.

**Do not use aerosol sprays near an operating appliance.**

## 11. Cleaning Glass

11.1 Keep the glass clean with correct use of the Airwash system and good quality fuel. Use the boost setting to clear any build up.

11.2 Sometimes additional cleaning may be required. Before undertaking this operation allow appliance to cool fully. Do not clean hot glass.

11.3 **On appliances with printed glass do not use cleaning agents that have a high alkaline or acidic content, for example Stovax Gel Cleaner, these are aggressive cleaning agents designed to be used with heavily stained clear glass. On printed glass surfaces, use Stovax Glass Cleaner (Stovax No.4103) which is better formulated for this application.**

11.4 Before applying a cleaning agent remove any dust and loose soot with a damp cloth.

**i** \*Registered on the Competent Persons Scheme (GB only) see page 33/ INFO (Republic of Ireland).

# User Instructions

- 11.5 Use an appropriate glass cleaner. Apply the cleaning fluid to a cloth before rubbing onto the glass. Apply carefully and do not apply excessively. Try to prevent any run off which could soak into the rope seals around the edge of the glass. Soot can also contain acidic particles that can cause corrosive damage to printed glass.
- 11.6 Remove dirt with a moist cloth and buff dry.
- 11.7 Before relighting the appliance ensure the glass is fully dried. If the rope seal has absorbed excess cleaning agent it is advisable to replace the rope as soon as possible to preserve the printed finish of the glass.

## 12. Chimney Sweeping

- 12.1 To maintain safe and efficient use of the appliance, the chimney/flue must be inspected and swept at least once a year by a qualified chimney sweep\*.  
  
If the appliance is used continuously throughout the year, or it is used to burn wood, more frequent sweeping is recommended.  
  
The best time to have the chimney swept is at the start of the heating season.
- 12.2 The chimney, any connecting flue pipe and the appliance flue ways, if incorporated, must be regularly cleaned.
- 12.3 Ensure adequate access for cleaning where it is not possible to sweep through the chimney.
- 12.4 If the chimney is believed to have previously served an open fire it must be swept a second time within a month of regular use after installation.

## 13. Care Of Stove

Stovax has a range of cleaning and maintenance products and accessories to keep your appliance in good working order. Your Stovax retailer can advise you on suitable items for your stove and provide genuine spare parts such as replacement glass, door sealing rope and firebricks. View the extensive range at [www.stovax.com](http://www.stovax.com) by clicking on *Accessories*. In addition, an annual service by a competent engineer is recommended to keep your stove in the best possible condition.



## 14. Seasonal Use

- 14.1 Clean and service the appliance if not used during the warmer months, as detailed in the *Maintenance and Servicing* section.
- 14.2 Set the air controls to 50% to keep the appliance ventilated and stop the build-up of any moisture inside.
- 14.3 Before re-lighting the appliance:
  - Remove the baffles.
  - Clear any debris that may have accumulated.
  - Check the flue is clear of any blockages.

## 15. Replacing Door Glass

- 15.1 To maintain the safe use of your appliance you may need to replace a damaged door glass.
- 15.2 Using the appliance with a damaged door glass could cause dangerous fumes to enter the room, or the appliance to over-fire, resulting in damage.
- 15.3 A new door glass and installation instructions (PM484) are available from your retailer.

## 16. Optional Extras

### Smoke Control Kit

- 16.1 This appliance can be modified to burn wood in a smoke control zone. For more details on the Smoke Control Kit for this appliance contact your retailer.

NOTE: These appliances have been independently tested to PD6434 and have been exempt from the controls that generally apply in smoke control areas hence are considered suitable for use in Smoke Control Area when burning wood and ONLY when fitted with the relevant Smoke Control kit.

### Outside Air Kit

- 16.1 This appliance can be fitted with an optional kit to help bring air directly into the appliance from outside. The For installation and operating procedures you must refer to the instructions supplied with the Outside Air kit - Stovax Part No PM361.

# Troubleshooting

## Troubleshooting

	Symptom	Cause	Solution
OPERATION	Difficulty starting the fire and keeping it burning well	Low flue draught	Consult your installer
		Wet wood (over 20% moisture)	Use dry seasoned wood (less than 20% moisture content)
	Poor burning control	High flue draught	Consult your installer
	Short burn times	Wet wood (over 20% moisture)	Use dry seasoned wood (less than 20% moisture content)
	Excessive heat output (Over firing)	High flue draught	Consult your installer
		Air control left fully open	Close air control to reduce output
	Low heat output	Low flue draught	Consult your installer for advice on suitable flue system
		Wet wood (over 20% moisture)	Use dry seasoned wood (less than 20% moisture content)
Excessive fuel consumption	High flue draught	Consult your installer for advice on suitable flue system	
	Over dry wood	Do not use constructional timber or pallet wood	
SMOKE EMISSIONS	Smoke and small flames	Wet wood (over 20% moisture)	Use dry seasoned wood (less than 20% moisture content)
	Intermittent smoke spillage into room when appliance door is opened	Low flue draught	Consult your installer for advice on suitable flue system
		Incorrect additional ventilation air in to building	Consult your installer
	Continuous smoke spillage into room when appliance in use	Blocked flue	Open all doors and windows to ventilate the room. Allow the fire to burn out. Check flue for blockage. Do not re-use until cause of spillage is identified. Consult your installer for advice
Blue/grey smoke from chimney	Wet wood (over 20% moisture)	Use dry seasoned wood (less than 20% moisture content)	
ADVERSE WEATHER	Windy days, intermittent smoke spillage into room when appliance door is opened	Down draught in flue caused by air turbulence caused by nearby buildings or trees	Weather conditions combined with the flue terminal position can have an effect on the appliance performance. Consult your installer
	Calm days, intermittent smoke spillage into room when appliance door is opened	Over size flue giving poor flue draught	Weather conditions combined with the flue terminal position can have an effect on the appliance performance. Consult your installer
	Damp/Rainy days lighting and burning problems	Flue temperature low / rain water inside flue	Use good quality wood to start and maintain the fire, consult your installer to fit a rain cowl
	Wind noise from the air control	High flue draught	Consult your installer for advice on suitable flue system

# Troubleshooting

	Symptom	Cause	Solution
THE APPLIANCE	Rapid creosote build-up in the chimney	Wet wood (over 20% moisture)	Use dry seasoned wood (less than 20% moisture content). Operate at a high temperature for short periods each time the appliance is used to avoid large build-ups of tars and creosotes
	Tar coming from flue joints	Appliance operated at continuous low temperatures	Operate at a high temperature for short periods each time the appliance is used to avoid large build-ups of tars and creosotes. See user instructions for correct use of air control
		Using poor quality wood	Use dry seasoned wood (less than 20% moisture content)
	Strong pungent smell after the appliance is lit	Appliance operated at continuous low output	Operate at high output for short periods. See user instructions for correct use of air control
		Using poor quality wood	Use dry seasoned wood (less than 20% moisture content)
	Wind noise from the air control	High flue draught	Consult your installer for advice on suitable flue system
	Dirty firebricks	Wet wood (over 20% moisture)	Use dry seasoned wood (less than 20% moisture content)
	Dirty glass	Wet wood (over 20% moisture)	Use dry seasoned wood (less than 20% moisture content)
	Glass blackening	Using poor quality wood	Use dry seasoned wood (less than 20% moisture content)
		Low flue draught	Consult your installer for advice on suitable flue system
Incorrect use of air control		See user instructions for correct use of air control	
Appliance operated at continuous low temperatures		Operate at high output for short periods. See user instructions for correct use of air control	

FLUES	The flue system has two main functions:
	<ul style="list-style-type: none"> <li>- To safely remove the smoke, fumes and combustion gases from the building.</li> <li>- To provide a sufficient amount of flue draught (suction) in the appliance to ensure the fire keeps burning.</li> </ul>
	The flue draught is caused by rising hot gases when the appliance is lit.
	Tar and creosote are a major cause of chimney fires. If the appliance experiences problems with tar build up consult a chimney sweep before continued use of the appliance.
	<b>For advise on the correction of persistent flue problems consult a qualified heating engineer before continuing to use the appliance.</b>

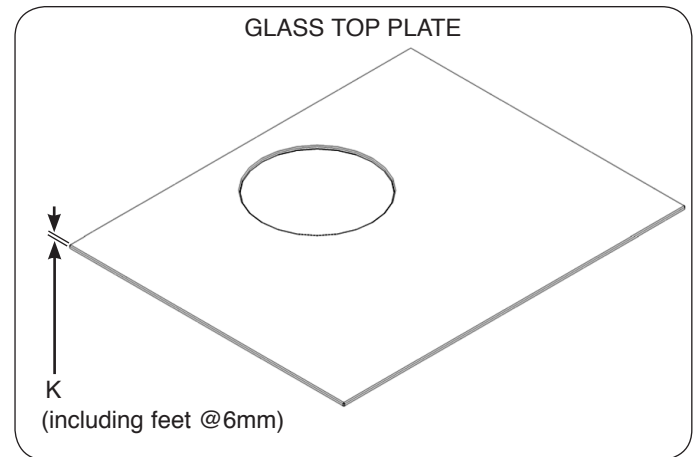
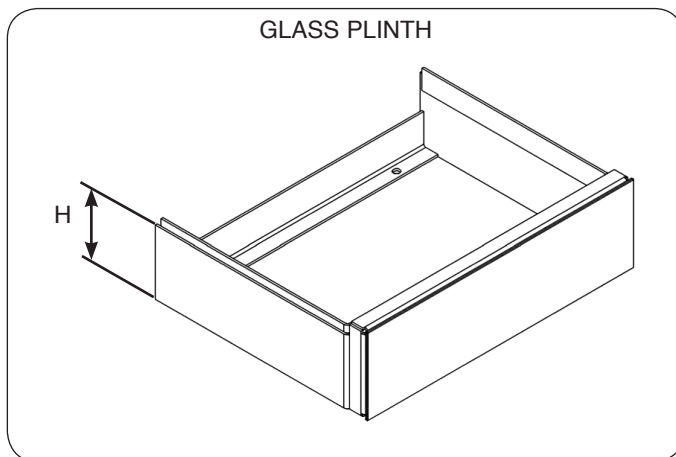
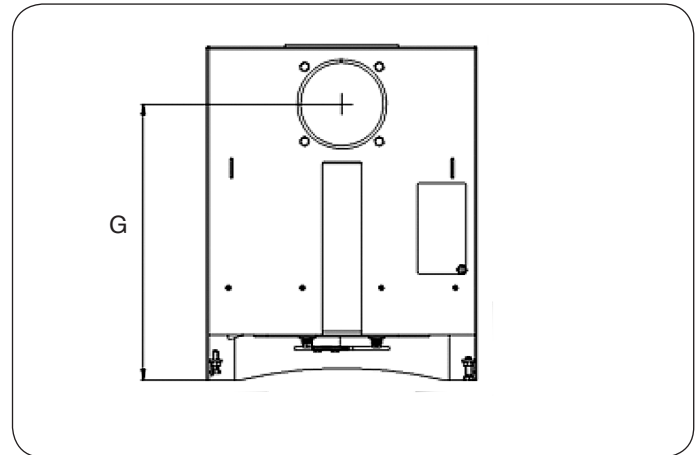
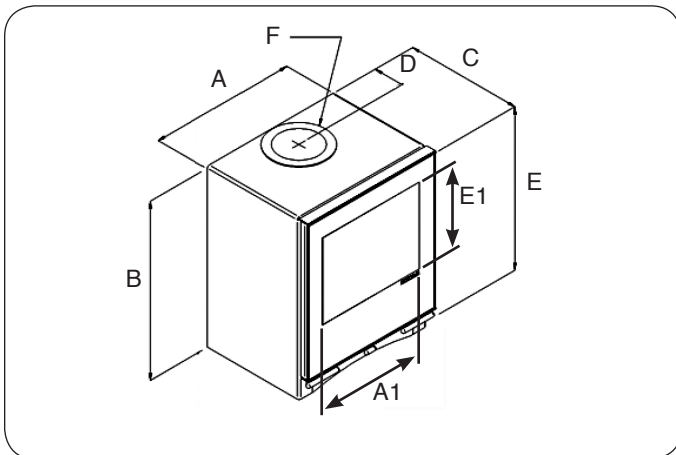
# Installation Checklist

## Please Note

This section is intended to give an overview of the product performance and essential information required for installing the appliance. It is intended for qualified engineers who are already familiar with Stovax products.

**For full details and expanded information please see the Technical Appendix at the back of this manual.**

### 1. Riva Vision Dimensions



Description	A	A1 Glass Viewing Area	B	C	D	E	E1 Glass Viewing Area	F (dia)	G	H	K
Riva Vision Small	371	261	474	329	109	441	236	128	385	50	10
Riva Vision Midi	416	316	513	350	109	470	246	128	425	100	10
Riva Vision Medium	525	408	600	368	122	553	309	153	496	150	10

All dimensions in mm (25.4 mm = 1")



‡In the U.K. Additional information covering the installation of the appliance may be found in the following British Standards: BS6461, BS6999, BS8303.

# Installation Checklist

## 2. Essential Information

<b>GENERAL</b>	<b>Model:</b>			<b>Riva Vision Small</b>	<b>Riva Vision Midi</b>	<b>Riva Vision Medium</b>
		Riva Vision Small Riva Vision Midi Riva Vision Medium				
	Nominal Heat Output	Wood	kW	5.0	6.5	8.0
		Solid Fuel	kW	5.0	6.5	8.0
	Efficiency	Wood	%	74.3	73.3	73.3
		Solid Fuel	%	75.7	75.5	78.9
	CO @ 13% O <sub>2</sub>	Wood	%	0.17	0.17	0.11
		Solid Fuel	%	0.23	0.23	0.21
	Weight	Wood	Kg	62	70	93
		Multi-fuel	Kg	62	90	118
Recommended Fuels	Wood	Seasoned Wood (less than 20% moisture content)				
	Solid Fuel	Briquette smokeless fuel suitable for closed appliances (Ancit-Phuracite-Taybrite-Homefire Ovals)				

**As tested to the requirements of EN 13240 for intermittent operation**

<b>FLUES</b>	Flue/Chimney Size ‡May be reduced to 128mm (5") if burning approved smokeless fuels or burning wood in an appliance approved for use in a DEFRA smoke control area	Without flue liner Round (Diameter)	mm	‡153	‡153	153
			inch	‡6	‡6	6
		Without flue liner system (Square)	mm	135	135	135
			inch	5½	5½	5½
		With Liner of Factory made system (diameter) installed in accordance with manufacturers instructions	mm	150	150	150
			inch	6	6	6
	Flue/Chimney minimum height**	All products **must be 4.5m from the hearth to the top of the flue, with no horizontal sections and a maximum of 4 bends. Bends must have angles of less than 45 degrees from the vertical.	m	4.5	4.5	4.5
			feet	13	13	13
	Flue Draught	Min	mm Wg	1.0	1.0	1.0
		Nominal		1.5	1.5	1.5
Max		2.0		2.0	2.0	
Flue Gas Mass Flow	Wood	g/s	4.8	7.1	7.1	
	Solid Fuel	g/s	3.5	4.5	4.4	
Flue Gas Temperature at Spigot/Socket	Wood	°C	346	367	367	
	Solid Fuel	°C	346	367	367	
Flue Outlet Size (Top or Rear Option)	All	mm	128	128	153	
		inch	5	5	6	

**European Min Spec for Chimney Flue - T400 N2 D 3 G50**

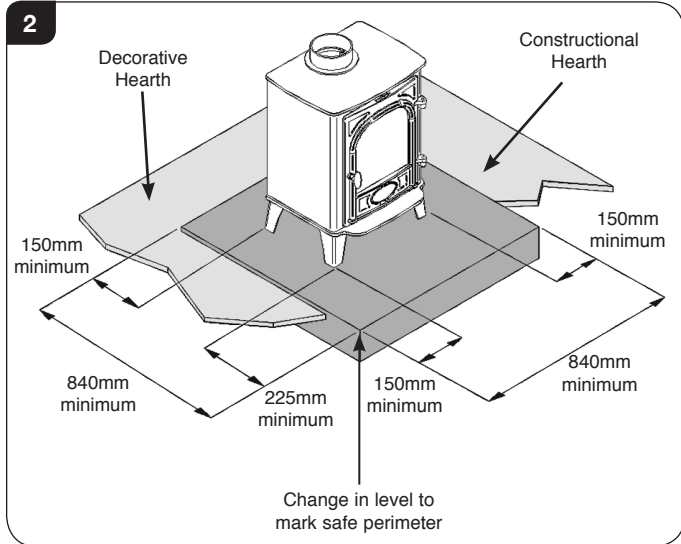
<b>VENTILATION</b>	<b>A) Traditionally Built Homes</b>		<b>B) Modern Construction Homes</b>			
	• Where leakage is greater than 5m <sup>3</sup> /hour/m <sup>2</sup> .		• Where leakage is less than 5m <sup>3</sup> /hour/m <sup>2</sup> .			
	• Ventilation normally required = 550mm <sup>2</sup> per kW output over 5kW		• Ventilation normally required = 550mm <sup>2</sup> per kW			
	<b>A</b>	Additional Ventilation	mm <sup>2</sup>	None	825.00	1650
			cm <sup>2</sup>	None	8.25	16.5
			in <sup>2</sup>	None	1.33	2.6
	<b>B</b>	Additional Ventilation	mm <sup>2</sup>	2750	3575	4400
cm <sup>2</sup>			27.5	35.7	44	
in <sup>2</sup>			4.4	5.7	7.1	

For full technical details on ventilation see Technical Appendix on Page 29

# Installation Checklist

## 3. Minimum Dimensions - Hearth

3.1 The appliance must stand on a non-combustible constructional hearth which is at least 125mm thick with the minimum dimensions as shown in Diagram 2.



3.2 If this appliance is installed in an elevated setting it is recommended to increase the 225mm hearth depth to safely contain any falling logs or embers. The higher the appliance is installed the deeper the hearth should be to avoid scorched floor coverings.

## 4. Clearances

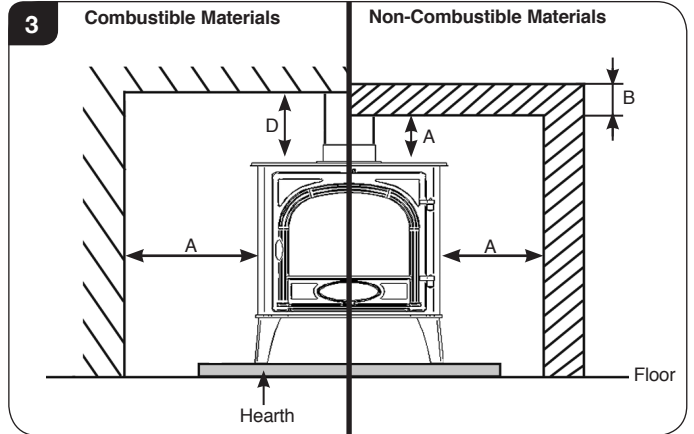


**IMPORTANT: INSTALLATION MUST COMPLY WITH CURRENT BUILDING REGULATIONS**

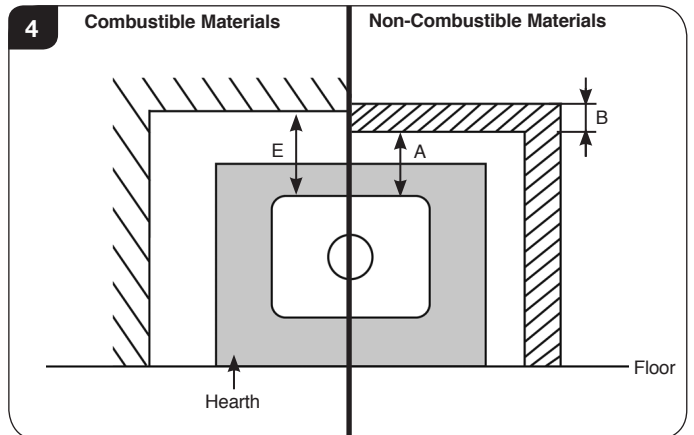
**ENSURE THAT SUFFICIENT CLEARANCES ARE PROVIDED BETWEEN THE FLUE PIPE AND ANY COMBUSTIBLE MATERIALS IN THE FIREPLACE IN ACCORDANCE WITH THE RULES IN FORCE.†**

4.1 When installing a Stockton stove it is important to observe the following clearances to both **combustible** and **non-combustible** materials. Also ensure that a clearance of 1 meter is maintained in front of the appliance when operating.

## Fireplace: Minimum Clearances Above & to the Sides



## Fireplace: Minimum Clearances to the Rear



## Non-Combustible Materials

4.2 All appliances will require some clearance between them and any non-combustible materials to allow for either:

- Installation, servicing or accessing controls.
- Convection in order for the appliance to function properly.

Minimum clearances for installation/servicing/convection is:

Rear - 25mm	Sides - 50mm	Top - 100mm
-------------	--------------	-------------

**NOTE: If the non-combustible surface is less than 200mm thick additional clearances may be required.** This requirement ensures that the non-combustible material does not transmit excessive heat through the wall onto combustible material which might be placed against it.

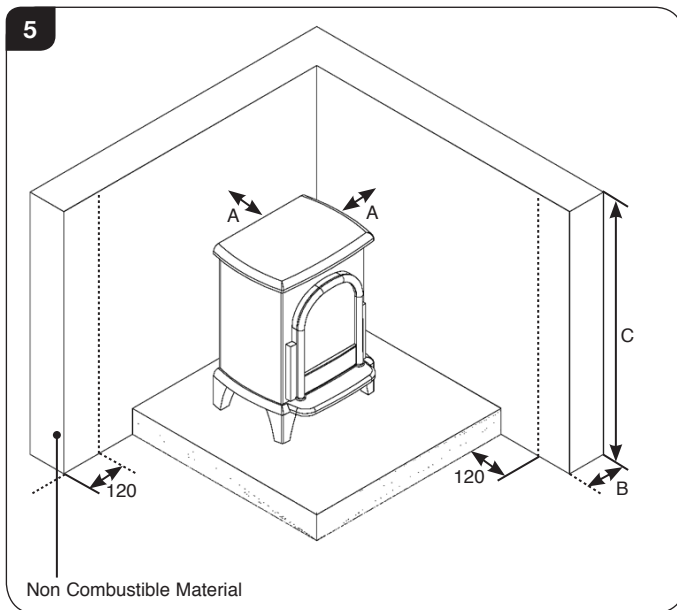
See Diagrams 3 & 4 (Fireplaces) & Diagram 5 (Freestanding) and table below.



# Installation Checklist

Distance to Non-combustible Materials		
Distance of Appliance to Wall (A)	Minimum Thickness of wall (B)	Minimum Height of Wall (C)
0mm - 50mm*	200mm	Height of appliance + 300mm OR 1200mm from the hearth (take largest dimension)
51mm - 300mm	75mm	
300mm+	No requirement	No requirement

## Freestanding Installation



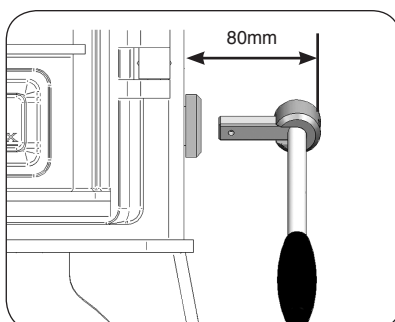
## Combustible Materials

4.3 It is essential for safety to ensure the following clearances to combustible materials are maintained.

See Diagrams 3 & 4 and table below.

Model	A (side)	E (Rear)*	D (Above)
Small	450	550	N/A
Midi	550	700	N/A
Medium	550	700	N/A

\* Note this distance can be reduced by the fitting of a heat shield kit, check with your Stovax retailer for availability and clearances.



**Note:**  
When installing a Multi-fuel appliance a minimum gap of 80mm must be left on the Right Hand Side so that the riddling tool can be comfortably engaged in the socket.

## 5. Optional Extras

### Smoke Control Kit

5.1 Some appliances can be modified to burn wood in a smoke control zone. For more details on the Smoke Control Kit for this appliance contact your retailer.

See User Section 15 - *Optional Extras*

### Outside Air Kit

4.2 This appliance can be fitted with an optional kit to help bring air directly into the appliance from outside. The For installation and operating procedures you must refer to the instructions supplied with the Outside Air kit - Stovax Part No PM373.

# Pre-Installation Instructions

## 1. General

- 1.1 To make the installation of the appliance easier it is best to remove the internal components before fitting into the builders opening/studwork.

### PACKING LIST

- Primary air
- Airwash
- Secondary air (to ensure complete burning of flue gases)
- Riddling grate system for clean de-ashing†
- Top or rear flue exit option

### STANDARD FEATURES

- Instructions
- Guarantee card
- Control card
- Accessories Catalogue
- Gloves
- Blanking Plate
- Flue Ring
- Ash Cover\*
- Ash Pan Tool†
- Riddling Tool†

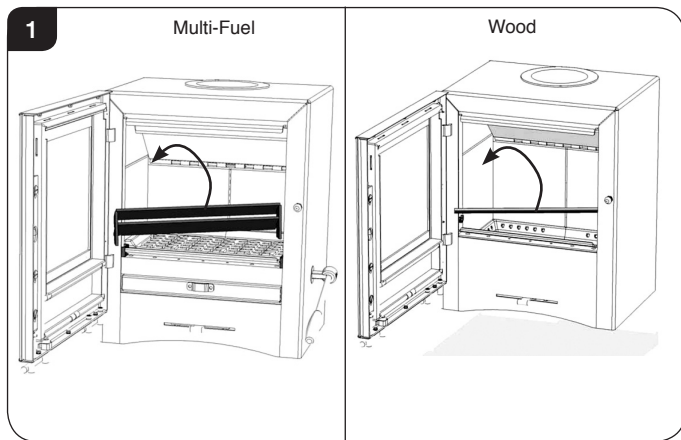
- \* Wood Only  
† Multi-fuel Only

- 1.2 For the best results removing the following components as set out below.

## 2. Removal of the Log Guard

- 2.1 To remove the Log guard:
- Lift Log Guard clear of the supporting brackets.
  - Rotate to clear the sides of the door opening.

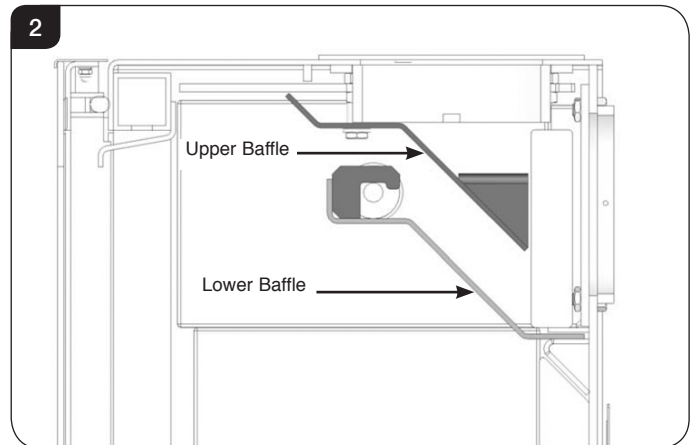
**Do not use appliance without the log guard in position.**



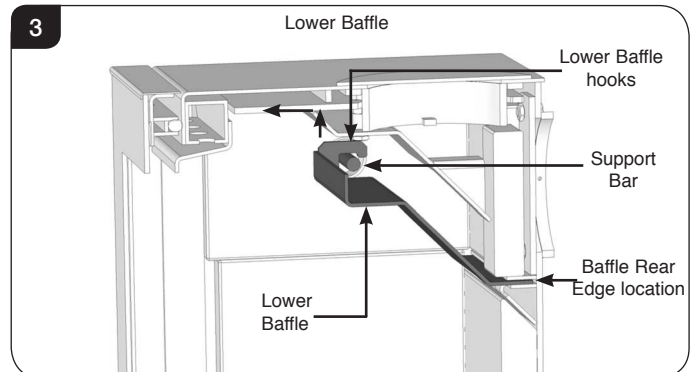
## 3. Removal of the Baffles

No tools are required.

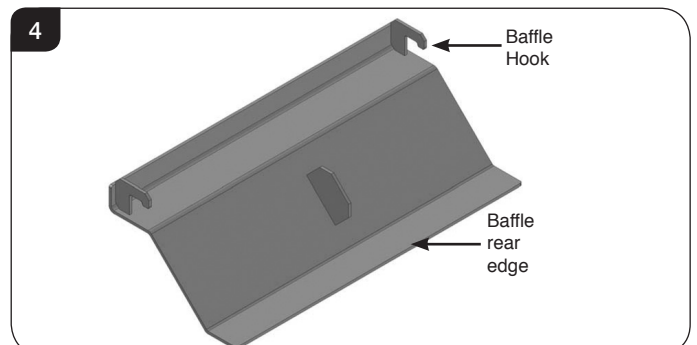
- 3.1 To maintain efficient combustion the Riva Stove is fitted with a twin baffle system, consisting of an upper and lower baffle.
- 3.2 First remove the Log Guard from the stove to give access to the firebox.



- 3.3 Remove the **Lower Baffle** (see Diagram 3) by lifting the front edge to unhook it from the support bars on the appliance sides.



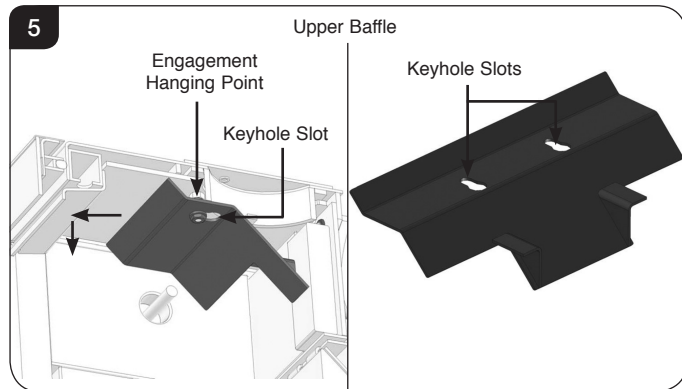
- Pull the baffle forward to disengage the rear edge from the location above the secondary air holes.
- Rotate the baffle to remove from the firebox through the door opening.



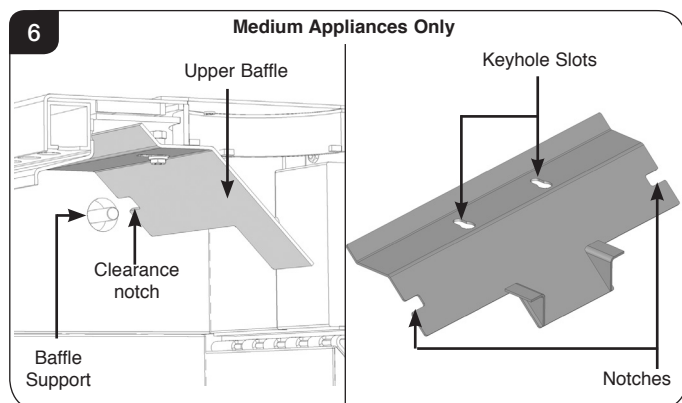
# Pre-Installation Instructions

3.4 Remove the **Upper Baffle** (Diagram 5 & 6) by pulling it forward to disengage from the hanging points at the top of the firebox. This enables it to drop down.

— Lift the baffle over the top of the support pins and rotate through the door opening.



3.5 With the **medium sized** appliance notches have been added to allow it to drop straight down through the support bars, See Diagram 6.

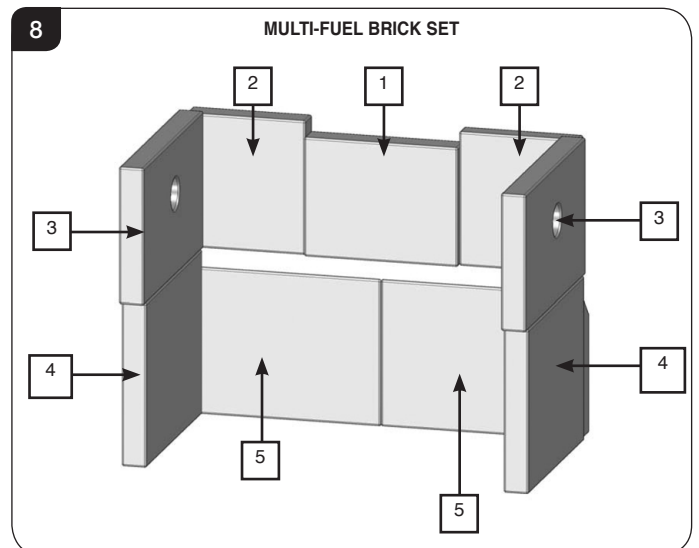
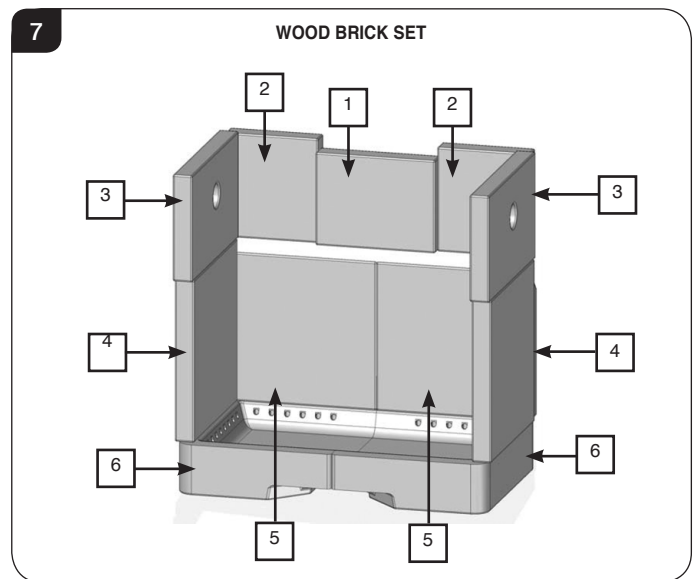


3.6 Reverse the above process to replace the baffles

**Do not modify the baffle**

## 4. Removal of the Fire Bricks

- 4.1 Remove the firebricks as part of the routine maintenance. This can be carried out without the use of tools.
- 4.2 Allow the appliance to cool fully before removing firebricks.
- 4.3 Take care when handling, as bricks can become fragile after use. Life span depends on the type of fuels burnt and the level of use.
  - Replace damaged bricks as soon as possible.
- 4.4 Remove the log bar and baffles (see Section 4 & 5).
  - Remove the bricks in the correct order as shown in Diagrams 7 and 8.



4.5 Re-install in reverse order.  
Note: Brick 1 is not fitted if the appliance is configured for Rear Flue option.

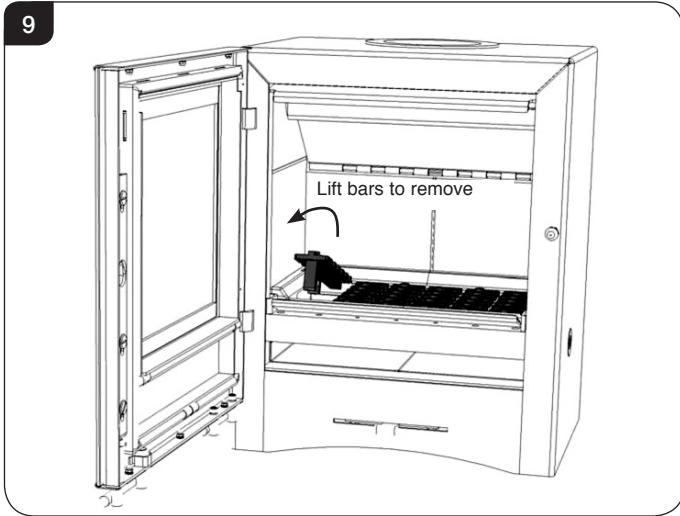
## 5. Removal of the Multi-fuel Grate

5.1 The Multi-fuel grate can be removed for cleaning to maintain good working condition.

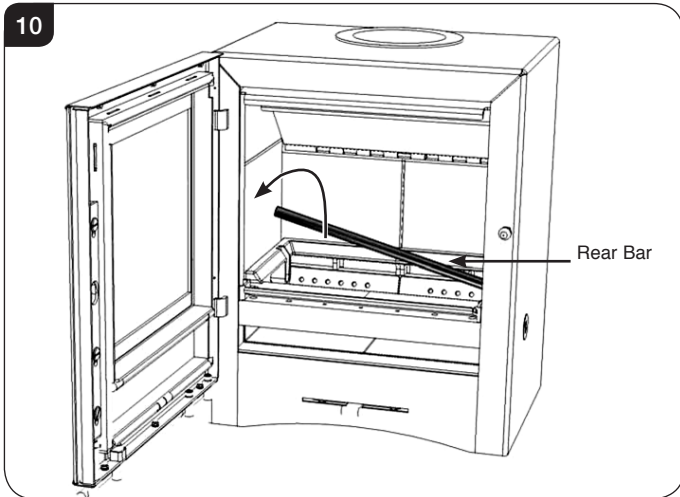
To remove the grate:

- Remove the log guard to enable access (see Section 2).
- Remove the ashpan (see User Section 7, Diagram 19).
- Lift to remove the Riddling Bars, See Diagram 9.

# Pre-Installation Instructions

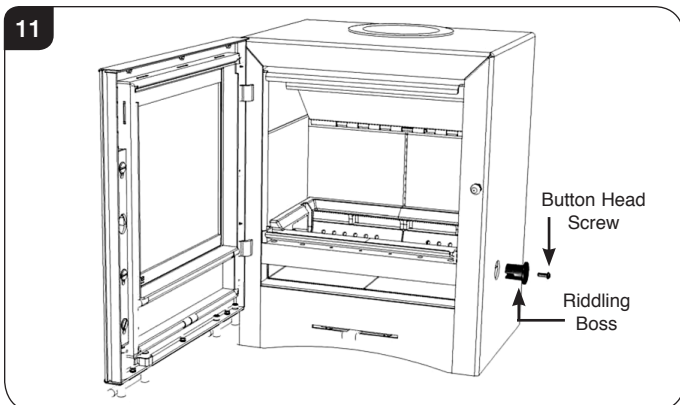


– Remove Rear Bar, See Diagram 21.

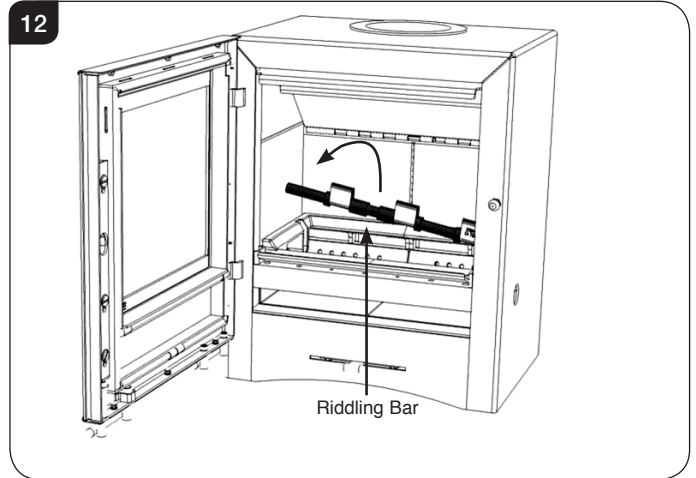


To remove the Riddling Boss:

- Use a 5mm Hex Key to loosen and remove the button head screw.
- Remove the Riddling Boss.

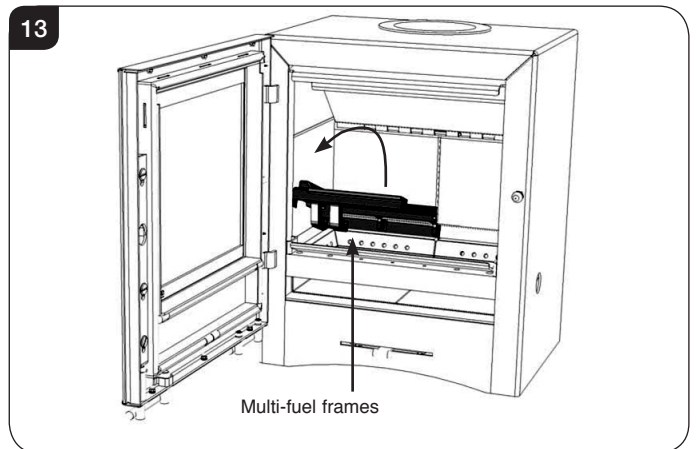


– Remove Riddling Cam Bar, See Diagram 23.



To remove Multi-fuel frames:

- Remove the baffles.
- Remove the fire bricks.
- Lift frames from the front.
- Remove one side at a time by rotating through the front of the stove.



– Replace in reverse order.

# Installation Instructions

## 1. Installing The Appliance

Each installation is unique to the property so it is not possible to give details to suit every setting. The installation must comply with Building Regulations and be made using "best practice" construction methods.

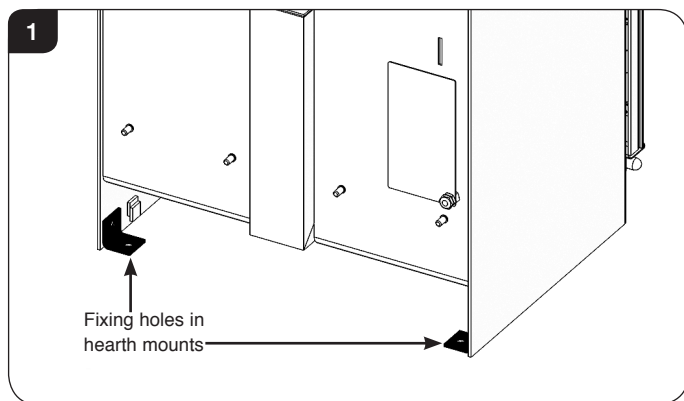
Many fireplace openings have a supporting lintel. Do not remove without supporting the remaining structure of the building. **Do not support the structure with the appliance or the flue system.**

### 1.1 Take care when installing the appliance. Careless handling and use of tools can damage the finish and/or area.

- Select and fit the required flue option.

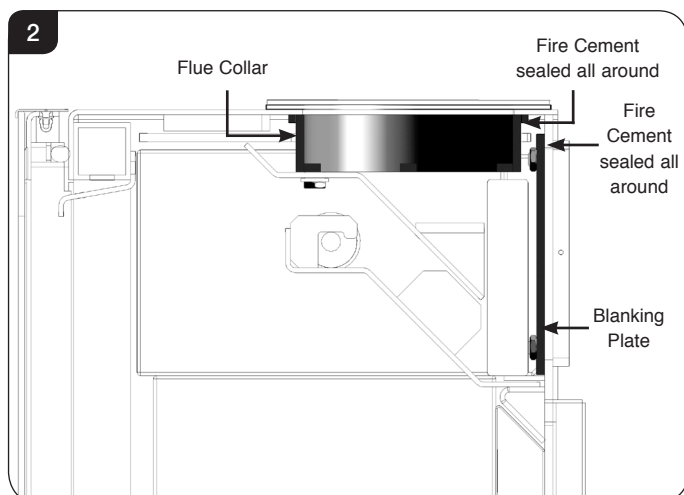
### 1.2 If the appliance is to be fixed to the hearth then use the hearth mount locking tabs shown, Diagram 1.

- Position the appliance where required on the hearth and mark the location of the two fixing holes in the hearth mounts.
- Drill the required sized holes into the hearth.
- Use suitable fasteners to fix in place.



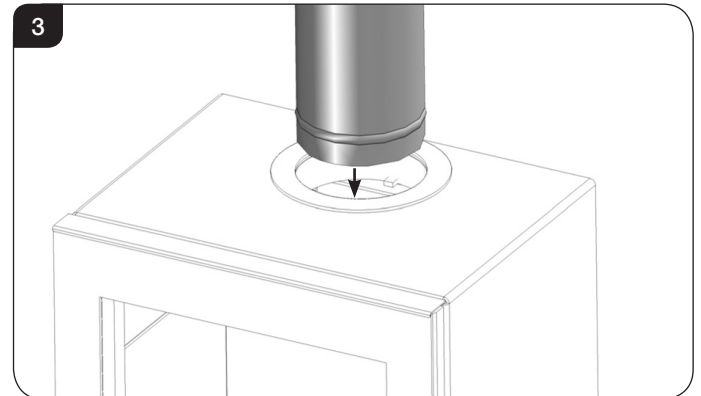
## 2. Top Flue Installation

### 2.1 The appliance is factory supplied with a top flue outlet but the flue collar and blanking plate require sealing with Fire Cement before use, See Diagram 1.

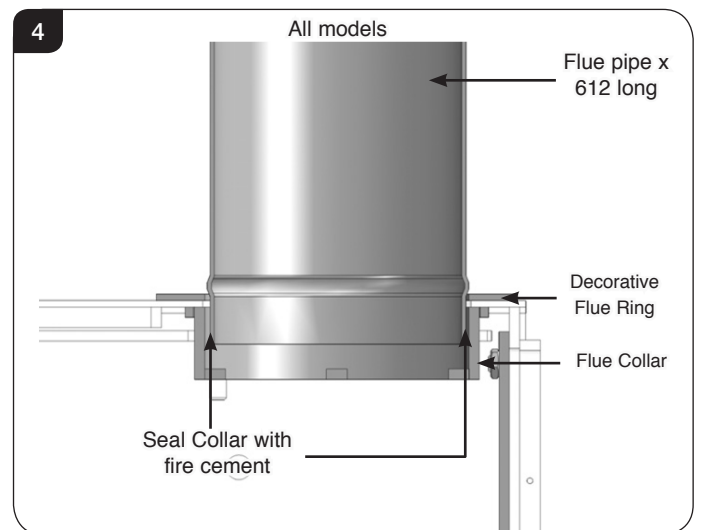


### 2.2 To fit the pipe to the collar:

- Lift appliance into position.
- Take care not to damage the hearth finish.
- Connect appliance to the chimney using flue pipe.
- Seal the connecting joints.



The Flue must be installed in accordance with manufacturers instructions.



### 2.3 From the inside of the stove, place a generous amount of fire cement inside the flue collar. Place the decorative flue ring on the top of the appliance and line up with the flue hole. Insert the 612mm long flue pipe into the flue collar so the bulge is sitting on the decorative flue ring.

### 2.4 If a **glass top** is being fitted elevate the top plate whilst the flue pipe is sealed with fire cement.

When complete lower the top plate onto the stove.  
**NOTE: THE DECORATIVE RING MUST NOT BE FITTED.**



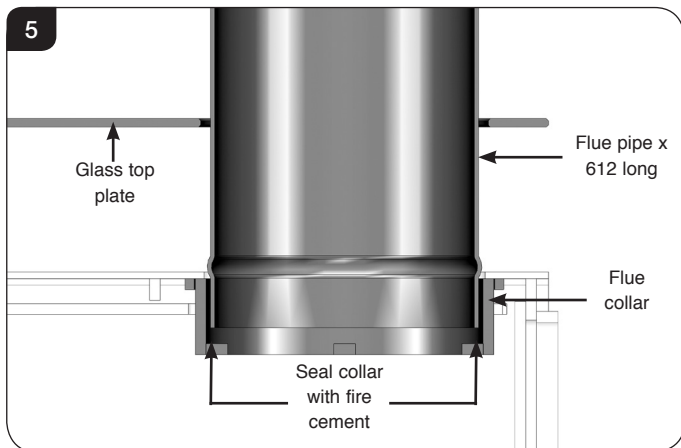
† England and Wales – Document J / Scotland - Part F/Document J (Republic of Ireland only)

‡ the latest edition of BS 8303, BS EN 15287, BS 7566

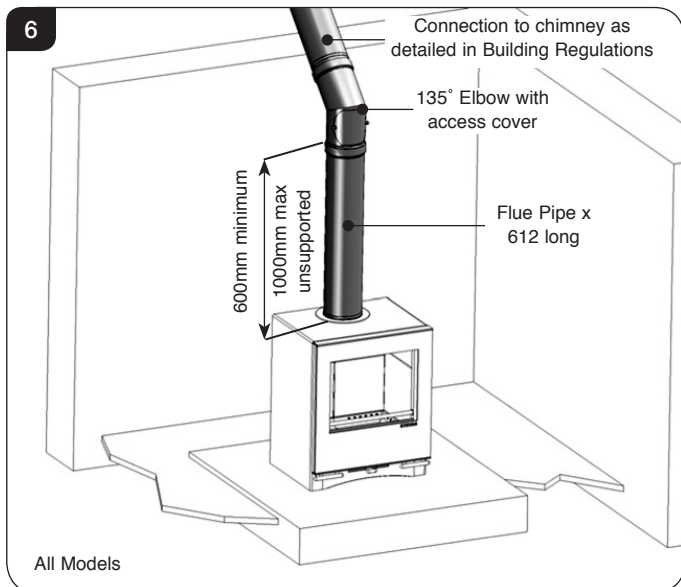
\*Registered on the Competent Persons Scheme (GB only) see page 11 / INFO (Republic of Ireland).

\*\*Health and Safety at Work Act 1974

# Installation Instructions



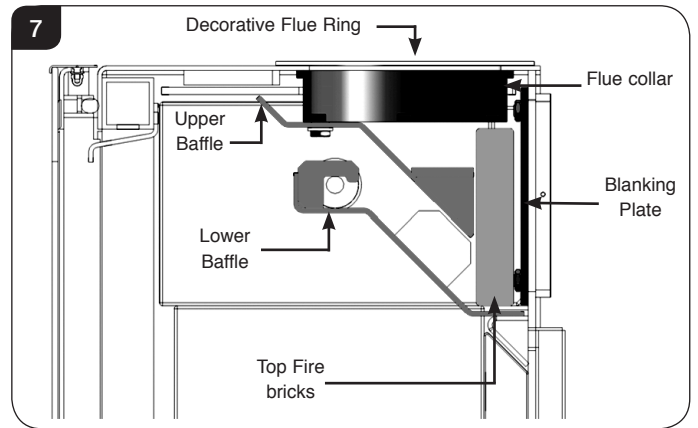
**A Typical Top Flue Pipe Installation**



## 3. Rear Flue Installation

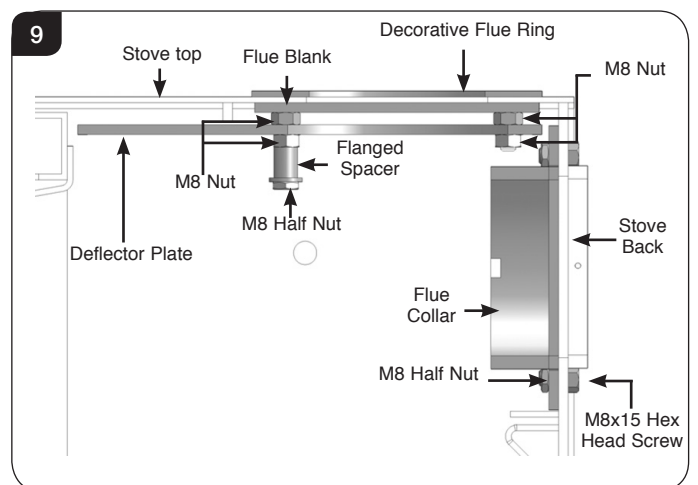
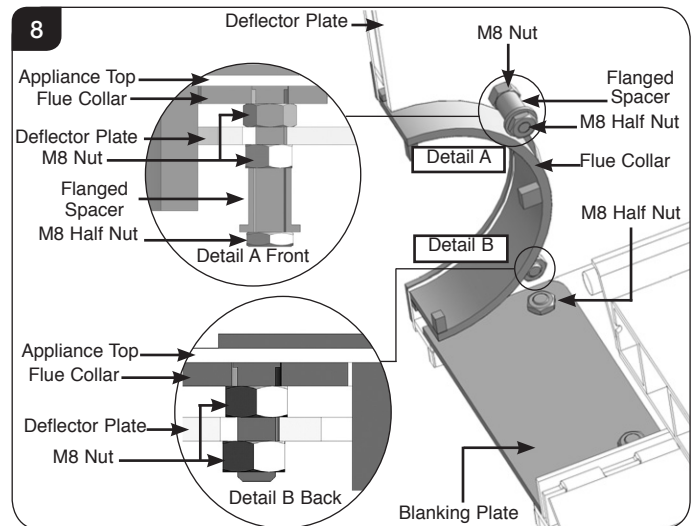
Because the stove is supplied for top flue exit, you need to move the blanking plate to the top of the appliance and fit the collar and flue pipe to the rear:

- 3.1 Tools required - cross-headed screw driver, 13mm A/F spanner/socket wrench.**
- 3.2** To change from top to rear exit flue, reverse the flue spigot and blanking plate using the method detailed.
- Remove the upper and lower baffles.
  - Remove the top fire bricks.



**3.3** First remove the **deflector plate**.

- Use a 13mm A/F spanner/socket to remove 1 M8 half nut from each of the front two studs. The flanged spacer will drop down.
- Remove a further M8 nut from each front stud (see Diagram 8, Detail A Front).

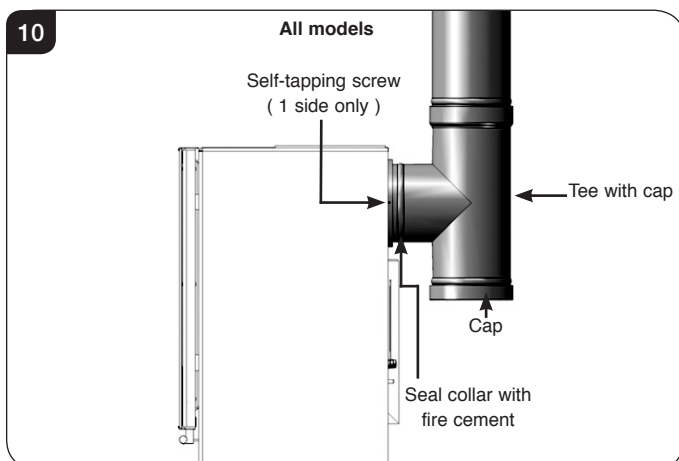


- Remove 1 M8 nut from each of the rear studs using a 13mm A/F spanner/socket. The deflector plate will drop down inside the stove, See Diagram 8, Detail B Back.

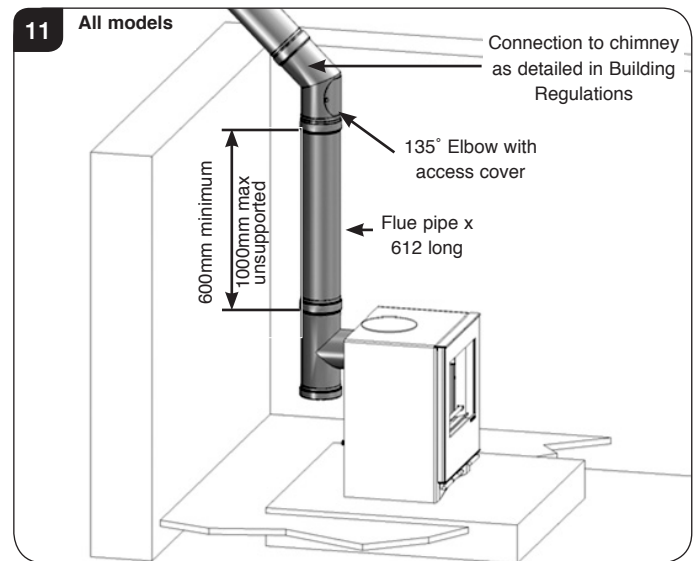
# Installation Instructions

- 3.4 Remove the **blanking plate** using a 13mm A/F Spanner/ Socket wrench to take off the 4 M8 half nuts from the inside back plate of the appliance. Withdraw the blanking plate from inside and remove the 4 M8x15 Hex head screws from the back of the appliance.
- 3.5 To remove the **flue collar** remove the 4 M8 nuts front and back. The collar will then drop down inside the appliance.
- 3.6 Fitting the flue collar and blanking plate for rear flue:
- Fit the blanking plate to the top flue outlet using 4 M8 nuts.
  - Seal to the firebox using fire cement, See Diagram 2.
  - Slide the deflector plate through the 4 studs on the underside of the appliance top.
  - Line up with the flue hole and secure in position using 2 M8 nuts onto the 2 front studs (reverse of removal).
  - Fit the flue collar to the rear flue outlet using the 4 bolts and half nuts from the cover plate.
  - Seal to the firebox using fire cement, See Diagram 2.
  - Secure the deflector plate in position by fitting the two M8 Nuts onto the rear studs.
  - Slide the flanged spacers over the two front studs and secure tightly using 2 M8 half nuts.
  - Re-install upper and rear baffle.
  - Fit the decorative flue cover over the flue hole.
- 3.7 The following flue pipe is available to ensure safe installation:

5" Tee	Stovax Product Code 4516
6" Tee	Stovax Product Code 4616
5" 135° Bend	Stovax Product Code 4512
6" 135° Bend	Stovax Product Code 4512
5" Flue Pipe x 612mm long	Stovax Product Code 4501
6" Flue Pipe x 612mm Long	Stovax Product Code 4601



## 3.8 A Typical Rear Flue Pipe Installation

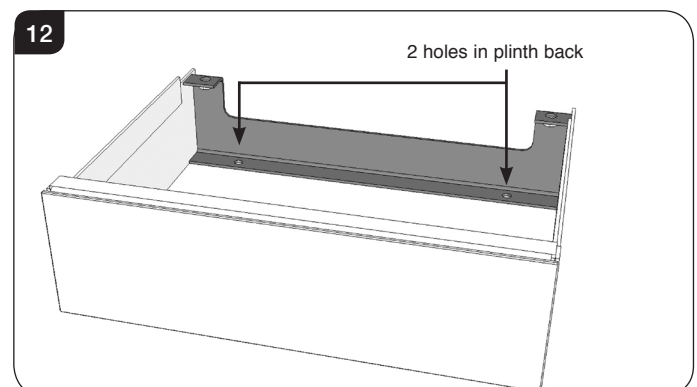


## 4. Glass Plinth

Model Number: RVN-SMPG, RVN-MIDPG, RVN-MEDPG

This appliance can be fitted with an optional plinth for decorative reasons.

- 4.1 To install the plinth:
- Decide on the position of the appliance on the hearth.
  - Secure the plinth to the hearth using the 2 holes in the plinth back and suitable fasteners.

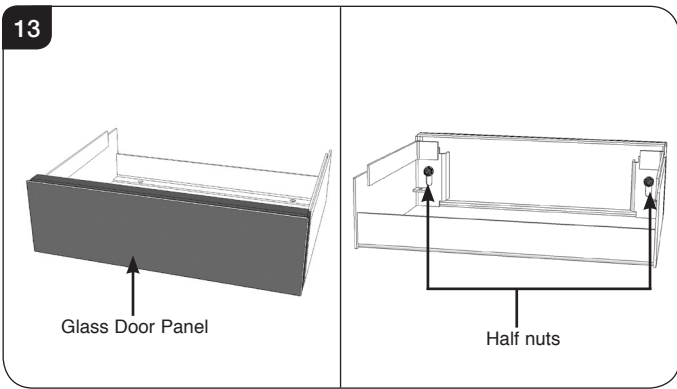


- 4.2 The glass door panel can be adjusted in relation to the hearth.

Once the door is lined up correctly:

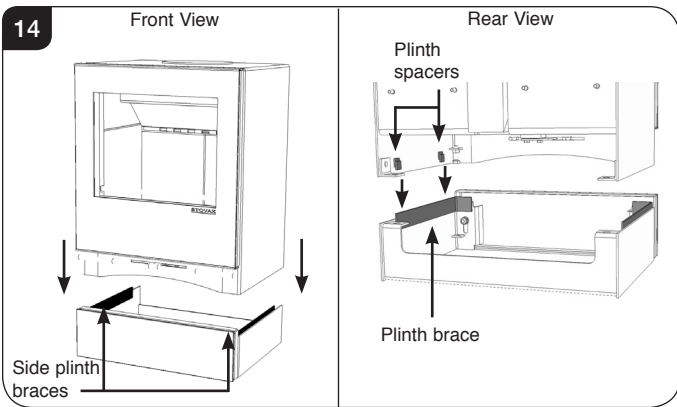
- Tighten the two half nuts on the back of the door in two positions, See Diagram 13.

# Installation Instructions



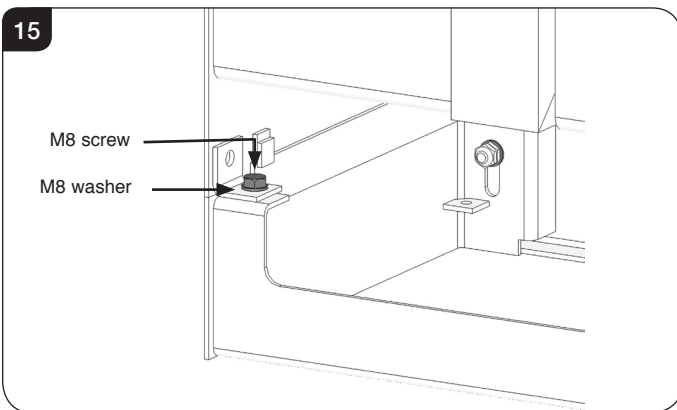
**4.3** Lift the appliance onto the plinth

- Line up the 2 x side plinth braces with the 4 x plinth spacers (two each side) on the inside of the appliance.



Ensure the sides and front of the appliance are sitting level and flush with the plinth.

**4.4** Fix the stove to the plinth using the 2 x M8 screws and 2 x M8 washers provided.

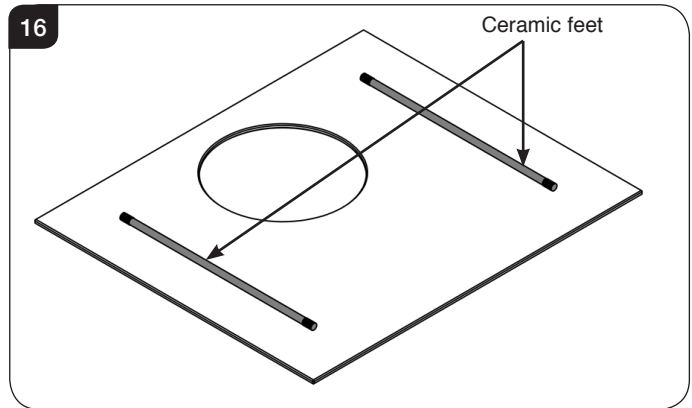


## 5. Glass Top

This appliance can be fitted with an optional glass top plate, the type of plate will depend on whether the appliance is installed with a top\* or rear flue exit.  
The glass top must be fitted at the same time as the flue connection, see Installation Section.

	Top Flue	Rear Flue
Small	RVN-SMGB	RVN-SMGBR
Midi	RVN-MIDGB	RVN-MIDGBR
Medium	RVN-MEDGB	RVN-MEDGBR

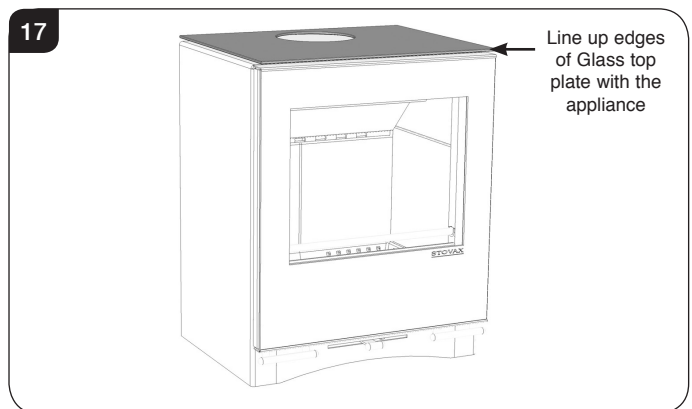
**5.1** The glass top plate has 2 feet on the bottom to space it off the top of the appliance by 6mm and allow the door to open freely.



**5.2** Place the glass top plate feet down on top of the appliance.

- Line up the glass top flush with the front and sides of the appliance.

For the top flue version position the hole cutout concentrically with the flue and flue ring.





# Installation Instructions

## 6. Outside Air Kit

This appliance can be fitted with an optional kit to help bring air directly into the appliance from outside. The For installation and operating procedures you must refer to the instructions supplied with the Outside Air kit - Stovax Part No PM373.

## 7. CO Alarms

All open flued appliances can be affected by temporary atmospheric conditions which may allow fumes to enter the house. **Building regulations require that whenever a new or replacement fixed solid fuel or wood/biomass appliance is installed in a dwelling a carbon monoxide alarm must be fitted in the same room as the appliance. Further guidance on the installation of the carbon monoxide alarm is available in the latest edition of BS EN50292 and from the alarm manufacturer's instructions.**

**HETAS recommend the unit is permanently fixed in accordance with the manufacturer's installation instructions or with the guidance contained in Approved Document J where no other information is available.**

**Provision of an alarm must not be considered a substitute for either installing the appliance correctly or ensuring regular servicing and maintenance of the appliance and chimney system.**

# Commissioning

## Commissioning

### 1.1 To commission:

- Replace the internal components.
- Check the door alignment and catch operation and adjust if required (see *Maintenance & Servicing Section*).
- Check the soundness of door seals, castings and joints.
- Check the operation of the air controls.

### 1.2 Now carry out a final smoke draw test:

- Warm the flue with a blowlamp, or similar, for about 10 minutes.
- Place a smoke pellet on the centre of the grate, with the air controls open.
- Close the door. Smoke should now be drawn up the flue and be seen to exit from the flue terminal.
- Complete test with all doors and windows closed in the room where the appliance is fitted.
- If there are any extractor fans in adjacent rooms the test must be repeated with the fans running on maximum and with interconnecting doors open.
- Check the effect of ceiling fans during the test.

If the test fails, re-check the suitability of the flue system and ventilation. An inadequate air supply to the room is potentially dangerous.

- Light the appliance and slowly increase the temperature.
- Ensure no combustion products enter the room.
- Open the main fire door when the appliance reaches operating temperature and carry out a spillage test with a smoke match or pellet around the door opening.

### 1.3 If excessive spillage occurs allow the appliance to cool and re-check the flue system and ventilation.

### 1.4 Finally:

- Explain to the user the safe operation of the appliance, use of the controls and the importance of only using suitable fuels.
- Ensure that a CO alarm has been fitted and make the user aware of its operation and importance, referring them to the Warning section on page 5 of the User Instructions.
- Explain the cleaning and routine maintenance requirements.

- Explain the requirement to use a suitable fireguard when children, elderly or infirm persons are near the appliance.
- Record retailer/supplier and installer details in Appliance Commissioning Checklist (page 3, Instructions for Use).
- Record serial number in Appliance Commissioning Checklist (page 3, Instructions for Use).

This number is required when ordering spare parts and making warranty claims.

- Give this instruction manual to the customer.

# Certificate Of Compliance

Upon completing the installation, the form below must be filled in by your installer to comply with the requirements of HETAS and the building regulations. The installer must give these details, including their HETAS registration number, for the purposes of any insurance details that may change as a result of the appliance being installed.

## HETAS LTD - CERTIFICATE OF COMPLIANCE

PLEASE TICK APPROPRIATE BOXES OR ENTER DETAILS IN BOXES BELOW



Record ID (HETAS Use Only)	<input type="text"/>	(*indicates that this data must be given)
Customer Name	*	
Installation Address	*	
Installation Address		
Installation Address		
Installation Address		
Town	*	
Postcode	*	Work Completion Date *
Local Authority Name (*Must be given if no postcode available)		
Installing Company Name	*	Company's HETAS Reg. No. *
Installing Engineer's Name	*	Engineer's HETAS Reg. No. *

Description of Work	
<b>Location:</b>	Lounge <input type="checkbox"/> Dining Room <input type="checkbox"/> Kitchen <input type="checkbox"/> Utility Room <input type="checkbox"/> Bedroom <input type="checkbox"/> Other, Specify <input type="text"/>
<b>Appliance:</b>	Dry Open Fire <input type="checkbox"/> Open Fire with Boiler <input type="checkbox"/> Dry Cooker <input type="checkbox"/> Cooker with Boiler <input type="checkbox"/> Dry Roomheater/Stove <input type="checkbox"/> Roomheater/Stove with Boiler <input type="checkbox"/> Independent Boiler <input type="checkbox"/> Make <input type="text"/> Model <input type="text"/> Heat Output <input type="text"/> kW
<b>System:</b>	New Heating and Hot Water System <input type="checkbox"/> Updated Existing Heating and Hot Water System <input type="checkbox"/> Dry System Only <input type="checkbox"/>
<b>If Wet System:</b>	Is the Hot Water System Unvented? <input type="text"/> Y / N
<b>Chimney:</b>	New Insulated Factory Made Chimney System Installed <input type="checkbox"/>
<b>Relining of existing chimney:</b>	Twin Wall Flexible Liner (for Class 1 Appliance) <input type="checkbox"/> Cast In-situ Liner <input type="checkbox"/> Rigid Sectional Liner Metal <input type="checkbox"/> Rigid Sectional Liner Other <input type="checkbox"/>
<b>Hearth:</b>	New Hearth/Surround fitted <input type="checkbox"/> Existing Hearth Surround Updated <input type="checkbox"/>

Additional Information	
<b>Connecting fluepipe:</b>	Diameter <input type="text"/> mm Socket joints upward and gas tight <input type="text"/>
Provision for sweeping chimney/fluepipe:	Yes <input type="checkbox"/> No <input type="checkbox"/> Chimney Data Plate Location <input type="text"/>
<b>Air supply:</b>	Has a permanently open air vent been fitted: Yes <input type="checkbox"/> No <input type="checkbox"/> Is vent opening at least 50% of cross sectional area of throat/flue <input type="text"/> or State total free area of air vent <input type="text"/> mm <sup>2</sup>
Confirm an approved Carbon Monoxide alarm has been fitted	<input type="checkbox"/>

Testing & Commissioning to Approved J Appendix E
Confirm you have commissioned and tested the appliance & associated work for safe and efficient operation <input type="checkbox"/>

**Declaration of completion** As the competent person responsible for the work described above, I confirm that the appliance and associated work has been installed in accordance with the HETAS rules of registration, and that the work complies with Regulations 4 and 7 of the Building Regulations, and Approved Documents J, G & L as applicable.

Signed: \_\_\_\_\_ Print name: \_\_\_\_\_ Date: \_\_\_\_\_

COPIES OF THIS COMPLETED CERTIFICATE MUST BE (WHITE COPY) SENT TO HETAS LTD AT THE ADDRESS GIVEN BELOW (PINK COPY) GIVEN TO THE CUSTOMER FOR RETENTION (YELLOW COPY) RETAINED BY THE INSTALLING COMPANY

THIS CERTIFICATE SHOULD BE RETAINED BY THE PROPERTY OWNER  
WHO MAY BE REQUIRED TO PRODUCE IT IN ANY FUTURE SALE OF THE PROPERTY.

# Maintenance & Servicing

For a complete list of spare parts and accessories contact your Stovax or call 01392 474011

## 1. Annual Service

- 1.1 Before the start of the heating season strip, inspect and clean the appliance as detailed:
- Allow appliance to cool.
  - Remove all internal parts: baffle, log guard and firebricks. Take care handling firebricks as they can become fragile after a period of use.
  - Sweep the appliance at this point if necessary.
  - Vacuum clean any remaining ash and debris from the inside of the appliance. Stovax offer a filter/collection attachment for vacuum cleaners to protect them from fire ash: Ash Clean (Stovax Part No. 2091).
  - Check the parts for any damage. Replace any damaged parts using genuine Stovax replacements parts.
  - Check and clean the firebricks with a soft brush. Some surface damage will occur during use. The life of the bricks will depend on the type of fuels burnt and the level of use. **Replace damaged bricks as soon as possible.**
  - Re-fit cleaned internal parts.
  - **On appliances with printed glass do not use cleaning agents that have a high alkaline or acidic content, for example Stovax Gel Cleaner, these are aggressive cleaning agents designed to be used with heavily stained clear glass. On printed glass surfaces, use Stovax Glass Cleaner (Stovax No.4103) which is better formulated for this application.**
- Do not use abrasive cleaners to remove tar or soot deposits from the glass.**
- Fit new door rope seal (see *Maintenance and Servicing, Section 6*).
  - Lightly oil the door catch mechanism and hinge pins. Avoid getting oil onto the door seals and glass.
  - To refresh painted finishes a touch up spray is available. Contact your Stovax retailer quoting the serial number found on the appliance data badge.
- 1.2 Use genuine Stovax replacement parts to keep the appliance in safe, efficient working order. This is a list of the maintenance products that may need be required:

Task	Product name
Preventing build-up of creosote in flue	Protector (15 sachets)
	Protector (1kg tub)
Sealing flue pipe joints	Fire Cement (500g tub)
	Fire Cement (600g cartridge)
Re-painting	Touch Up Aerosol (150ml aerosol)
Protecting your hands	Heat resistant leather gloves
Thermic seal glue	(50ml bottle)
Ash Clean	Vacuum Cleaner Attachment
Cleaning Glass	Gel Cleaner
	Glass Cleaner (Stovax no. 4103)

These products, available online at [www.stovax.com](http://www.stovax.com) or from your local Stovax Retailer, along with regular maintenance and use of correct fuels, will keep the appliance in the best possible condition.

- 1.3 For more information about the Stovax Group products please visit our web site at [www.stovax.com](http://www.stovax.com)
- 1.4 Burn at a low temperature for the first day of use after any maintenance. This allows the seals, fixing glues and paint to fully cure.
- 1.5 During this time the appliance may give off some unpleasant odours. Keep the room well ventilated to avoid a build-up of fumes.
- 1.6 Your Stovax Retailer can carry out service and maintenance.

## 2. Removal of Internal Parts

- 2.1 To service and maintain the good working condition of your appliance it will be necessary to remove several internal parts. Consult the installation section for the following:

**Log Guard** - Pre-Installation Section 3, page 17.

**Baffles** - Pre-Installation Section 4, page 17.

**Firebricks** - Pre-Installation Section 6, page 18.

**Multi-Fuel Grate** - Pre-Installation Section 5, page 18.

## 3. Fitting a new Door Glass - All Models

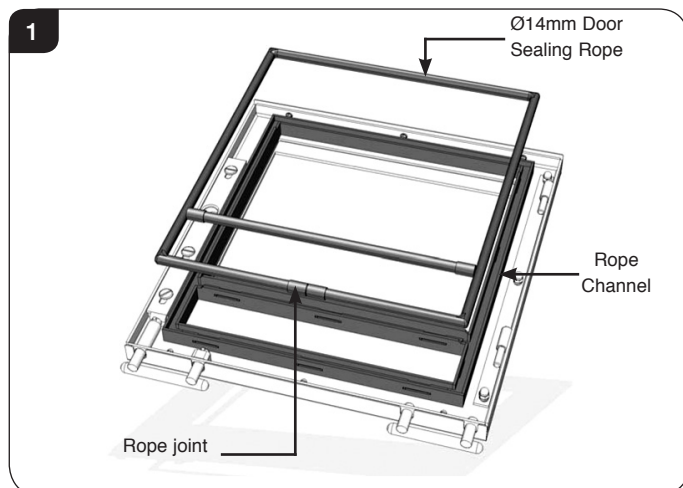
- 3.1 To maintain the safe use of your appliance you may need to replace a damaged door glass.
- 3.2 Using the appliance with a damaged door glass could cause dangerous fumes to enter the room, or the appliance to over-fire, resulting in damage.
- 3.3 A new door glass and installation instructions (PM484) are available from your retailer.

# Maintenance & Servicing

## 4. Fitting a new Door Seal - All Models

4.1 To maintain the safe use of your appliance you need to replace damaged or worn door sealing rope. To complete this operation:

- Remove the door from the appliance, by opening the door and lifting the door free of the hinge blocks on the left hand side of the door.
- Lay the door face down on a soft flat surface, to protect the paintwork and glass.
- Remove the old rope and scrape old glue from the locating groove. Clean the locating groove with a clean dry cloth to remove all old dust and debris.
- Squeeze a generous bead of fresh Stovax Thermic Seal glue into the rope locating groove.
- Press the new Stovax rope into the locating groove, placing the joint in the middle of the lower edge of the door (see Diagram 1).



- Refit the door and close the door to apply pressure to the new rope.
- Leave the appliance closed for at least 12 hours before lighting the appliance and using at a low output for approximately one day.

4.2 Using the appliance with a damaged door seal can cause dangerous fumes to enter the room, or the appliance to over fire, resulting in damage.

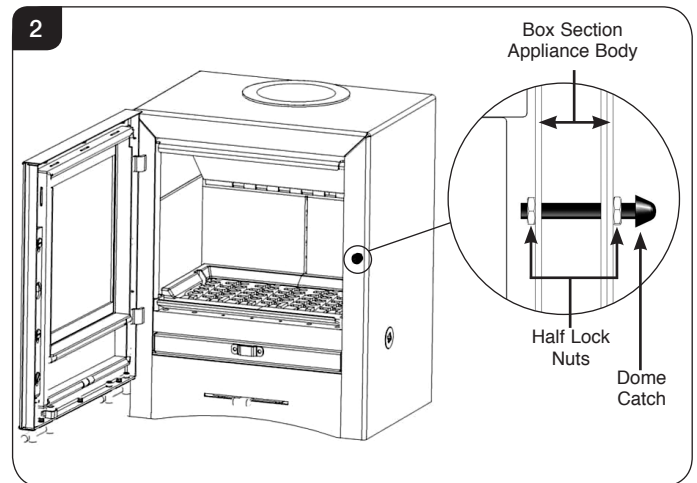
## 5. Adjusting the Door Hinges

5.1 To maintain the safe use of your appliance, you may need to adjust the door catch and hinges to ensure the door closes safely and correctly.

5.2 To adjust the **Door Catch**:

- Open the door to gain access to the catch.

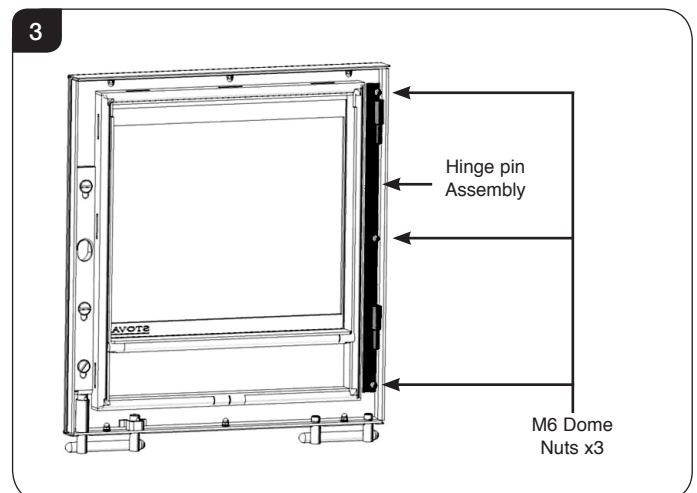
- Use a 13mm A/F spanner to loosen the half lock nuts either side of the box section in the appliance body. This will allow the dome catch to rotate in and out, See Diagram 2).



Once the desired setting has been achieved ensure the lock nuts are tightened against the appliance body.

5.3 To adjust the **Door Hinge pin assembly**:

- Remove the door from the appliance, by opening the door and lifting the door free of the hinge blocks on the left hand side of the door.
- Lay the door face down on a soft flat surface, to protect the paintwork and glass.
- Use the hinge pin assembly on the back of the door to adjust the position of the door in relation to the appliance.



- Use a 10mm A/F spanner to loosen the 3 M6 dome nuts. The hinge pin assembly is slotted so it can be adjusted up or down and sideways approximately 3mm.

Once the desired position has been achieved ensure the dome nuts are firmly tightened against the hinge block assembly to maintain the position.

# Technical Appendix

## Legal Requirements

Before installation and/or use of this appliance please read these instructions carefully to ensure that all requirements are fully understood.

**The appliance must be fitted by a registered installer\*, or approved by your local building control officer.**

It is very important to understand the requirements of the national Building Regulations† and standards‡, along with any local regulations and working practices that may apply. Should any conflict occur between these instructions and these regulations then the regulations must apply.

Your local Building Control Office can advise regarding the requirements of the regulations.

**i** † England and Wales – Document J / Scotland - Part F/Document J (Republic of Ireland only)  
‡ the latest edition of BS 8303, BS EN 15287, BS 7566

\*Registered on the Competent Persons Scheme (GB only) see page 33/ INFO (Republic of Ireland).

Works must be carried out with care to meet the requirements of Health and Safety† and comply with the Health and Safety rules, and any new regulations introduced during the lifetime of these instructions. Particular attention should be drawn to:

- **Handling:** The appliance is heavy. Adequate facilities must be available for loading, unloading and on site handling.
- **Fire Cement:** Some fire cement is caustic and must not come into contact with the skin. Protective gloves must be worn. Wash hands thoroughly with plenty of water after contact with skin.
- **Asbestos:** This appliance contains no asbestos. If there is the possibility of disturbing any asbestos in the course of installation seek specialist guidance and use appropriate equipment.
- **Metal Parts:** Take care when installing or servicing the stove to avoid personal injury.

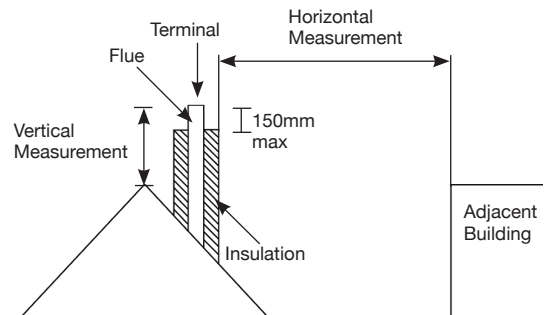
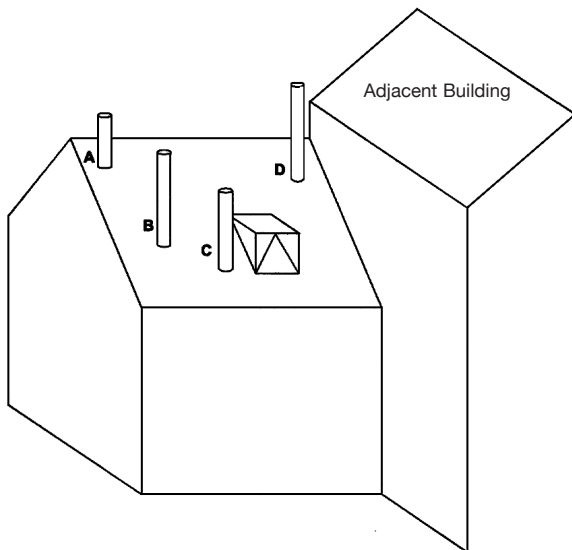
**A faulty installation can cause danger to the inhabitants and structure of the building.**

**For users of this appliance:**

Your building insurance company may require you to inform them that a new heating appliance has been installed on your property. Check that your cover is still valid after installing the appliance.

## 1. Flue Outlet Positions

These positions are defined by Document J of the Building Regulations.



The datum for vertical measurement is the point of discharge of the flue from either the point of discharge of the flue or 150mm above insulation, whichever is the lower.

**IMPORTANT:** Seek specialist advice if installing in a dwelling with a thatched roof

Point where the flue passes through weather surface (Notes 1 & 2)		Clearances to flue outlet
A	At or within 600mm of the ridge	At least 600mm above ridge
B	Elsewhere on roof (whether pitched or flat)	At least 2300mm horizontally from the nearest point on the weather surface and: a) at least 1000mm above highest point of intersection of the chimney with and the weather surface; or b) at least as high as the ridge
C	Below (on a pitched roof) or within 2300mm horizontally to openable rooflight, dormer window, or other opening (Note 3)	At least 1000mm above the top of opening
D	Within 2300mm of an adjoining or adjacent building, whether or not beyond the boundary (Note 3)	At least 600mm above any part of the adjacent of building within 2300mm

- 1) The weather surface is the building external surface, such as it's roof tiles or external walls.
- 2) A flat roof has a pitch less than 10°.
- 3) The clearance given for A or B, as appropriate, will also apply.
- 4) A vertical flue fixed to an outside wall should be treated as equivalent to an inside flue emerging at the nearest edge of the roof.

# Technical Appendix - Flues

## 2. Flue or Chimney

- 2.1 The flue or chimney system must be in good condition. It must be inspected by a competent person and passed for use with the appliance before installation.
- Products of combustion entering the room can cause serious health risks.
- 2.2 The following must be checked:
- The construction of the masonry chimneys, flue block chimneys and connecting flue pipe system must meet the requirements of the Building Regulations†.
  - A flexible flue liner system can be used if certified for use with solid fuel systems and installation complies with manufacturer's instructions and Building Regulations†. The flue liner must be replaced when an appliance is replaced, unless proven to be recently installed and in good condition.
  - If it is necessary to fit a register plate it must conform to the Building Regulations†.
  - The minimum height of the flue or chimney must be 4.5m from the hearth to the top of the flue, with no horizontal sections and a maximum of 4 bends. Bends must have angles of less than 45 degrees from the vertical.
  - Ensure the connecting flue pipe is kept a suitable distance from any combustible material and does not form part of the supporting structure of the building.
  - Make provision to remove the appliance without the need to dismantle the chimney.
  - Any existing flue must be confirmed as suitable for the new intended use as defined in the Building Regulations†.
  - The flue or chimney systems must be inspected and swept to confirm the system is structurally sound and free from obstructions\*\*.
  - If the chimney is believed to have previously served an open fire it must be swept a second time within a month of regular use after installation to clear any soot falls that may have occurred due to difference in combustion levels.
  - The flue exit from the building must comply with local building control rules†.
  - Do not connect or share the flue or chimney system with another heating appliance.
- 2.3 Do not connect to systems containing large voids or spaces over 230mm square.
- 2.4 Suitable access must be provided to enable the collection and removal of debris.
- 2.5 The flue must be swept and inspected when the appliance is installed.

### Flue Draught

The flue draught must be checked with all windows and doors closed and any extraction fans in this, or adjoining rooms, running at maximum speed (see Installation Checklist for ventilation requirements).

### Twin Wall Flue System

**If this appliance is to be used in conjunction with a twin wall flue system then Stovax recommend the use of their Professional XQ range. Details of this product are available from your Stovax retailer.**



#### In the U.K.:

**\*BS 6461: Part 1, and the requirements of Building Regulations**

**\*\*This should be done by a NACS registered (UK only)/INFO registered (Eire only) chimney sweep, who will issue you with a certificate.**

**† Building Regulations Document J**

#### Flue Plate:

**Where a hearth, fireplace, flue or chimney is provided or extended (including cases where a flue is provided as part of refurbishment work), information essential to the correct appliance and use of these should be permanently posted in the building, to meet Requirement J4 of the Building Regulations (England and Wales), F3.12 (Scotland).**

#### Additional:

**A new factory made system that complies to EN 1856; Part 1 can be used providing installation is to the requirements of:**

- i) BS 7566 Parts 1 -4**
- ii) the manufacturer's instructions**
- iii) Building Regulations.**

**For a guide containing information on Chimneys and Flues contact:**

**The British Flue & Chimney Manufacturers' Association,  
FETA  
2 Waltham Court  
Milley Lane  
Hare Hatch  
Reading  
Berkshire RG10 9TH**

**Tel: 0118 9403416**

**e-mail: info@feta.co.uk**

# Ventilation - Technical Appendix

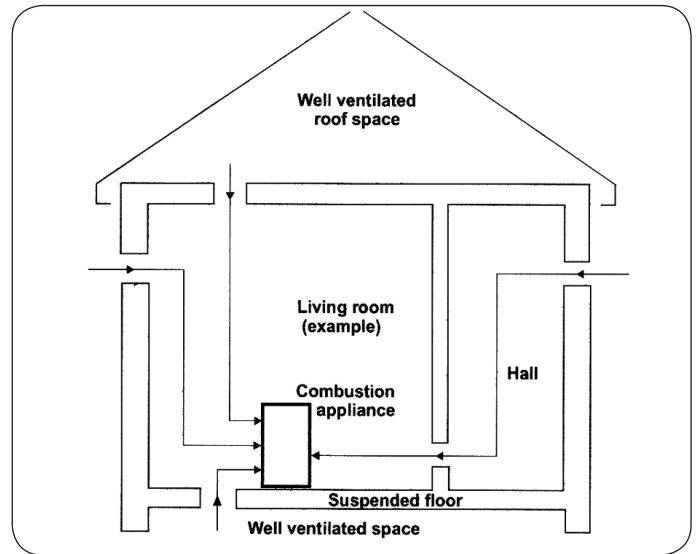
## 3. Ventilation

3.1 Many older buildings are sufficiently ventilated by natural leakage of air to provide suitable air supply for an appliance of 5kW output or less.

Modern building techniques have reduced the amount of air that leaks in or out of a house. A modern construction with an air tightness of less than 5m<sup>3</sup> per hour per m<sup>2</sup> requires an air vent for **ALL** solid fuel appliances including those with a rated heat output of less than 5kW.

NOTE: The air leakage of a modern house is tested at the completion of construction and a certificate issued confirming this.

- 3.2 This appliance requires a constant supply of air to maintain proper combustion and effective flue performance.
- 3.3 An inadequate air supply can result in poor combustion and smoke entering the room which is potentially dangerous.
- 3.4 This supply of air can come from either:
- The natural leakage of air into the room in which the product is fitted.
  - Purpose provided ventilation.
  - Some Stovax appliances can also be fitted with an optional outdoor air kit which allows air to be drawn in from the outside.
- 3.5 The amount of air required must comply with local building regulations and the rules in force.
- 3.6 If spillage is detected during commissioning then there may be insufficient natural ventilation and an additional air supply will be necessary.
- 3.7 Permanent air vents should be non-adjustable and positioned where they are unlikely to become blocked.
- 3.8 If vents open into adjoining rooms or spaces there must be an air vent of at least the same size direct to the outside.
- 3.9 Site the vents where cold draught is unlikely to cause discomfort. This can be avoided by placing vents near ceilings or close to the appliance (See diagram).
- 3.10 Extractor fans or cooker hoods must not be placed in the same room or space as this can cause the appliance to emit fumes into the room.
- 3.11 Increase air supply provisions where a room contains multiple appliances.
- 3.12 **If any checks reveal problems do not proceed with the fitting of the appliance until they have been rectified.**



## 4. Minimum Dimensions - Hearth

- 4.1 The appliance must stand on a non-combustible constructional hearth which is at least 125mm thick with the minimum dimensions as shown in diagram. As this appliance can be installed in an elevated setting it is recommended to increase the 225mm hearth depth to safely contain any falling logs or embers. The higher the appliance is installed the deeper the hearth should be to avoid scratched floor coverings.
- 4.2 The building must have a suitable load-bearing capacity for the hearth and appliance. Consult a structural engineer for advice before proceeding.
- 4.3 When fitting into an existing hearth check that the appliance complies with current construction regulations and is at least the minimum sizes shown.
- 4.4 If there is no existing fireplace or chimney it is possible to construct a suitable non-combustible housing and hearth setting. The flue must be installed in accordance with all local and national regulations and current rules in force.
- 4.5 Check if adding a new chimney to your property requires planning permission.
- 4.6 Some houses are built using a timber frame construction with high levels of thermal insulation. Isolate the appliance from combustible materials, and provide sufficient ventilation to maintain the heating efficiency.



## 5. Fitting Appliances On A Boat

- 5.1 If an appliance is to be fitted in a boat it must be done in accordance with the latest edition of BS 8511 (Code of Practice for the Installation of Solid Fuel Heating Appliances on Boats). The Code covers the design, installation and operation of solid fuel heating appliances that are suitable for fitting into inland waterway boats, and gives guidance on product selection, design considerations, installation requirements, inspection and testing, as well as maintenance and safe use tips.
- 5.2 Consideration should also be given to the requirements of the Boat Safety Scheme (BSS) to ensure the boat's insurance remains valid.
- 5.3 The appliance should only be installed by a competent person with experience of the latest edition of BS 8511 and the Boat Safety Scheme (BSS).
- 5.4 Secure the product to a suitably constructed non-combustible hearth.
- 5.5 All open flued appliances can be affected by temporary atmospheric conditions which may allow fumes to enter the boat. An electronic carbon monoxide detector conforming to the latest edition of BSEN50292 must be fitted and maintained.
- 5.6 Failure to safely install the appliance could endanger the boat and persons on board.



**Organisations authorised to certify competence in the installation of domestic solid fuel appliances (Competent Persons Scheme):**

APHC - Association of Plumbing and Heating Contractors (Certification) Ltd.  
[www.aphc.co.uk](http://www.aphc.co.uk)

BESCA - Building Engineering Services Competence Accreditation Ltd.  
[www.besca.org.uk](http://www.besca.org.uk)

HETAS - Heating Equipment Testing and Approval Scheme Ltd.  
[www.hetas.co.uk](http://www.hetas.co.uk)

NAPIT - National Association of Professional Inspectors and Testers Ltd.  
[www.napit.org.uk](http://www.napit.org.uk)

NICEIC - NICEIC Group Ltd.  
[www.niceic.org.uk](http://www.niceic.org.uk)

**HETAS Approved Chimney Sweeps:**

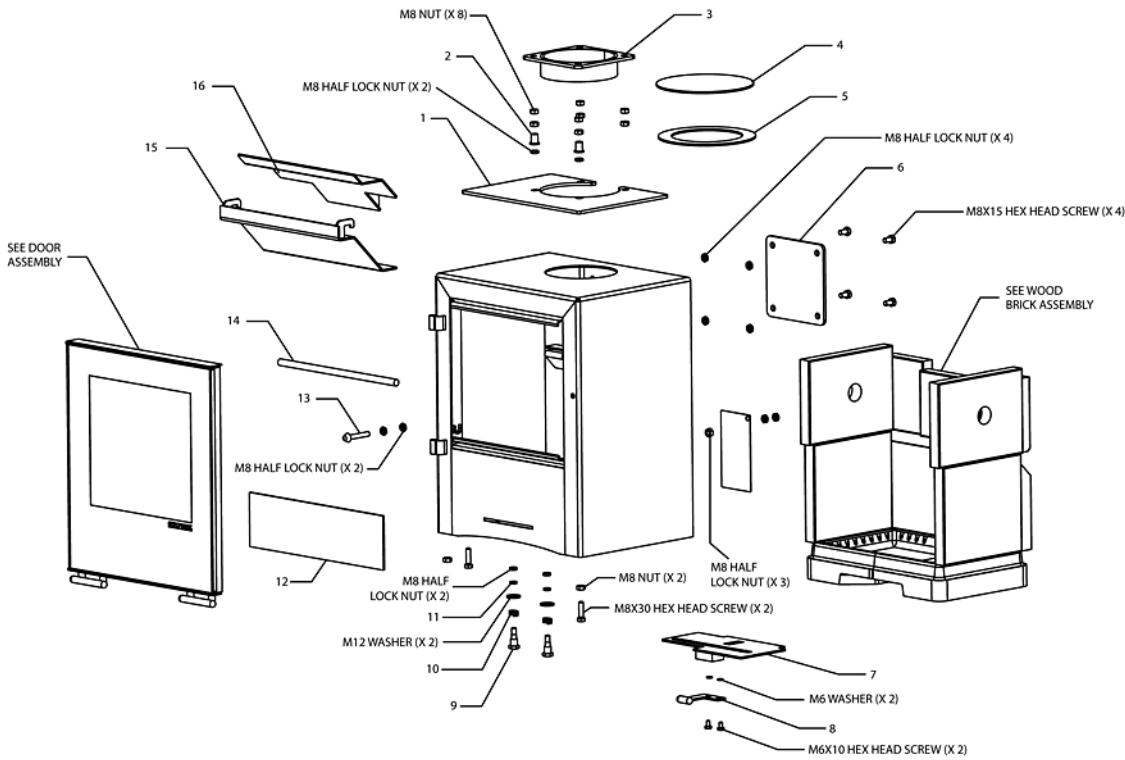
NACS - The National Association of Chimney Sweeps  
[www.chimneyworks.co.uk](http://www.chimneyworks.co.uk)

APICS - The Association of Master Chimney Sweeps Ltd.  
[www.apics.org](http://www.apics.org)

The Guild of Master Chimney Sweeps -  
[guildofmasterchimneysweeps.co.uk](http://guildofmasterchimneysweeps.co.uk)

# Basic Spare Parts

## RIVA VISION SMALL / MIDI WOODBURNING STOVE



### RIVA VISION SMALL

Ref. No.	Description
1	Inner Top Plate
2	Baffle Support Spacer
3	5" Flue Collar
4	Top Flue Cover
5	Flue Ring Cover
6	Flue Blank
7	Control Slider
8	Control Slider Handle 'L'
9	M8 Shoulder Screw (Slider)
10	Slider Spring
11	Roller
12	Ash Catcher
13	Door Latch
14	Log Bar
15	Lower Baffle
16	Upper Baffle

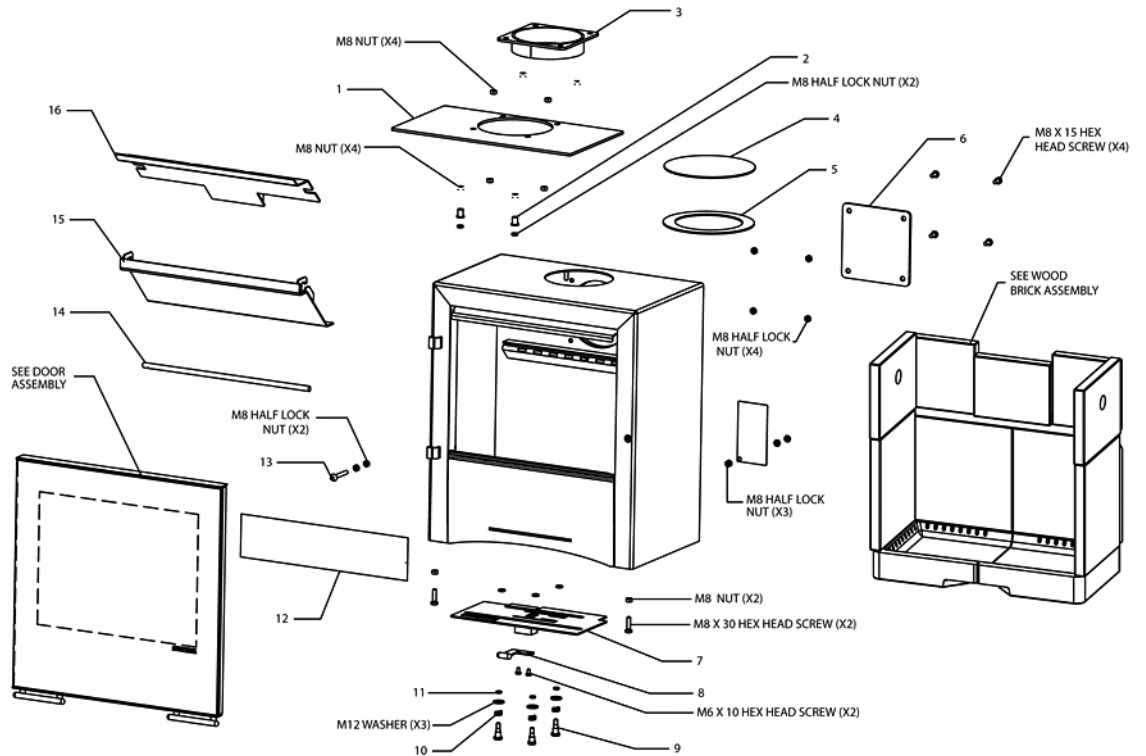
### RIVA VISION MIDI

Ref. No.	Description
1	Inner Top Plate
2	Baffle Support Spacer
3	5" Flue Collar
4	Top Flue Cover
5	Flue Ring Cover
6	Flue Blank
7	Control Slider
8	Control Slider Handle 'L'
9	M8 Shoulder Screw (Slider)
10	Slider Spring
11	Roller
12	Ash Catcher
13	Door Latch
14	Log Bar
15	Lower Baffle
16	Upper Baffle

## RIVA VISION MEDIUM WOODBURNING STOVE

### RIVA VISION MEDIUM

Ref. No.	Description
1	Inner Top Plate
2	Baffle Support Spacer
3	6" Flue Collar
4	6" Top Flue Cover
5	6" Flue Ring Cover
6	6" Flue Blank
7	Control Slider
8	Control Slider Handle 'L'
9	M8 Shoulder Screw (Slider)
10	Slider Spring
11	Roller
12	Ash Catcher
13	Door Latch
14	Log Bar
15	Lower Baffle
16	Upper Baffle



Due to continual technical improvements please check online at [www.stovax.com](http://www.stovax.com) or with your Stovax retailer for the most up to date parts lists.

# Basic Spare Parts

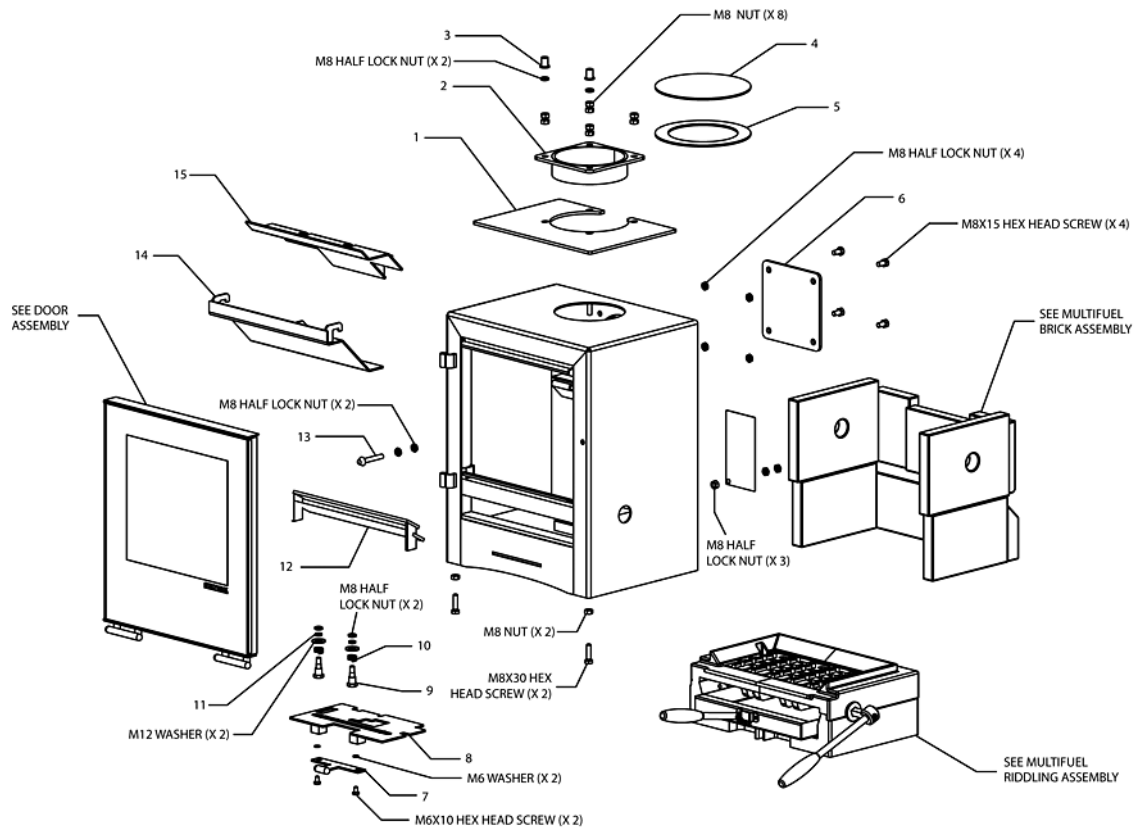
## RIVA VISION SMALL / MIDI MULTI-FUEL STOVE

### RIVA VISION SMALL

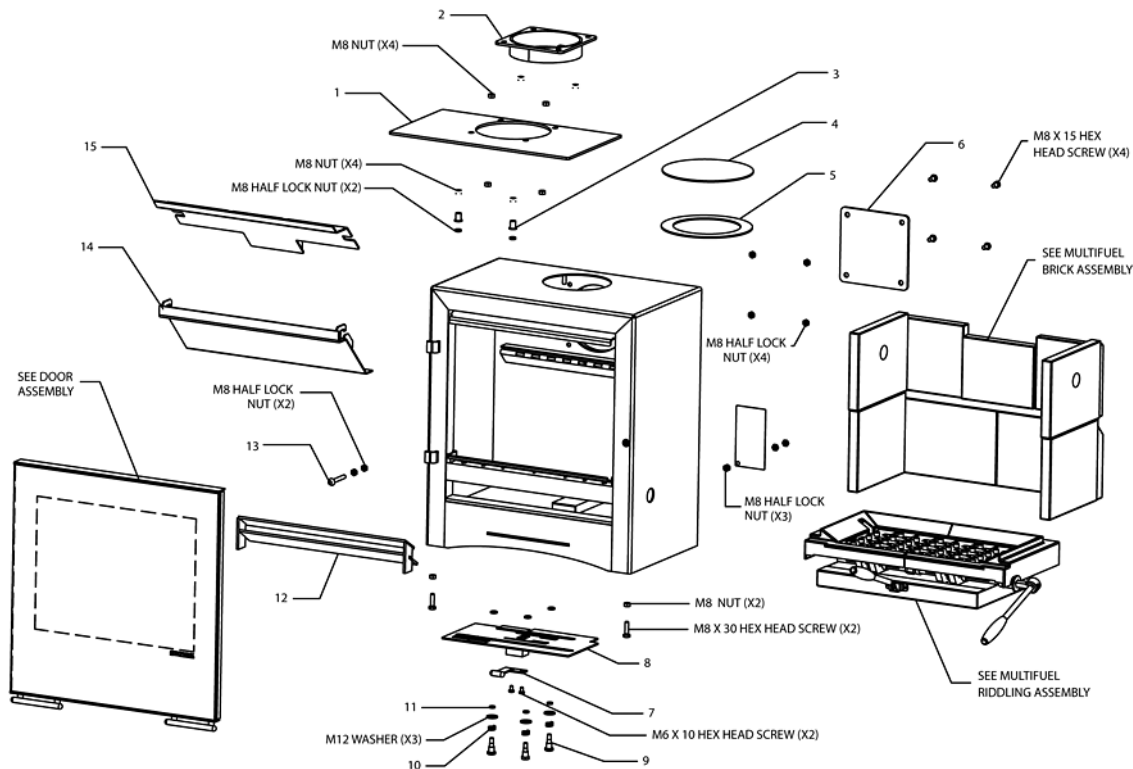
Ref. No.	Description
1	Inner Top Plate
2	5" Flue Collar
3	Baffle Support Spacer
4	Top Flue Cover
5	Flue Ring Cover
6	Flue Blank
7	Control Slider Handle 'T'
8	Control Slider
9	M8 Shoulder Screw (Slider)
10	Slider Spring
11	Roller
12	Log Guard
13	Door Latch
14	Lower Baffle
15	Upper Baffle

### RIVA VISION MIDI

Ref. No.	Description
1	Inner Top Plate
2	5" Flue Collar
3	Baffle Support Spacer
4	Top Flue Cover
5	Flue Ring Cover
6	Flue Blank
7	Control Slider Handle 'T'
8	Control Slider
9	M8 Shoulder Screw (Slider)
10	Slider Spring
11	Roller
12	Log Guard
13	Door Latch
14	Lower Baffle
15	Upper Baffle



## RIVA VISION MEDIUM MULTI-FUEL STOVE



### RIVA VISION MEDIUM

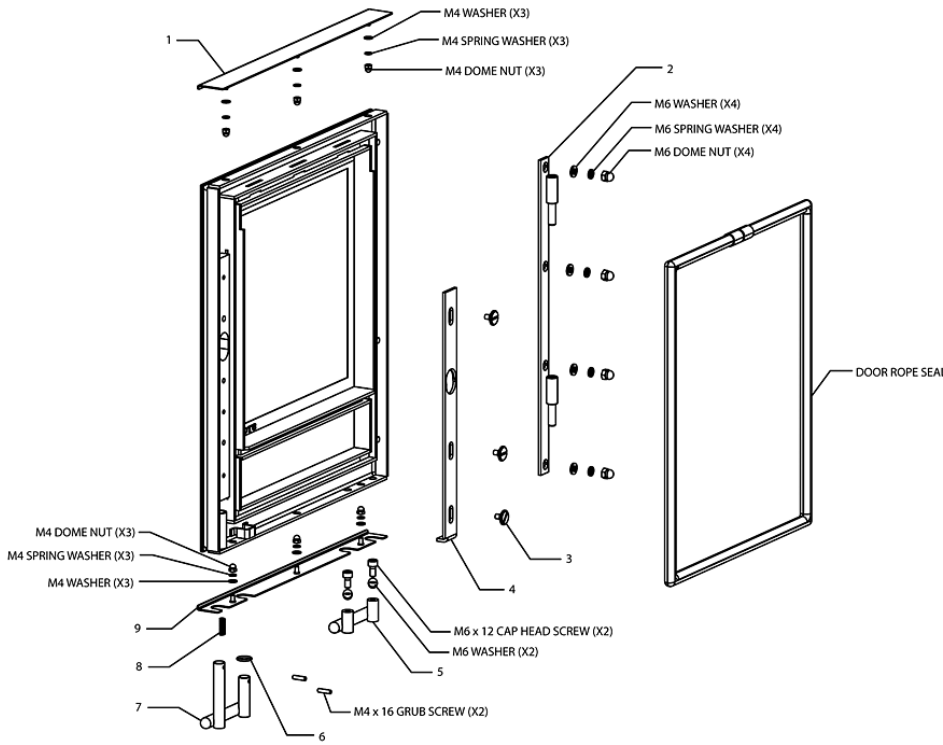
Ref. No.	Description
1	Inner Top Plate
2	6" Flue Collar
3	Baffle Support Spacer
4	6" Top Flue Cover
5	6" Flue Ring Cover
6	6" Flue Blank
7	Control Slider Handle 'L'
8	Control Slider
9	M8 Shoulder Screw (Slider)
10	Slider Spring
11	Roller
12	Log Guard
13	Door Latch
14	Lower Baffle
15	Upper Baffle

Ref. No.	Description
1	BASE CENTRE BRICK
2	BASE SIDE BRICK
3	REAR SIDE BRICK
4	REAR CENTRE BRICK
5	SIDE BRICK RIGHT HAND SIDE
6	SIDE BRICK LEFT HAND SIDE

Due to continual technical improvements please check online at [www.stovax.com](http://www.stovax.com) or with your Stovax retailer for the most up to date parts lists.

# Basic Spare Parts

## RIVA VISION DOOR ASSEMBLY



### RIVA VISION SMALL

Ref. No.	Description
1	Top Glass Clamp
2	Hinge Plate
3	Shoulder Screws
4	Door Catch Slider
5	LH Door Handle Assembly
6	"O" ring
7	RH Door Handle Assembly
8	Spring
9	Bottom Glass Clamp
N/A†	Glass†
N/A	Complete door assembly

† See Accessories list

### RIVA VISION MIDI

Ref. No.	Description
1	Top Glass Clamp
2	Hinge Plate
3	Shoulder Screws
4	Door Catch Slider
5	LH Door Handle Assembly
6	"O" ring
7	RH Door Handle Assembly
8	Spring
9	Bottom Glass Clamp
N/A†	Glass†
N/A	Complete door assembly

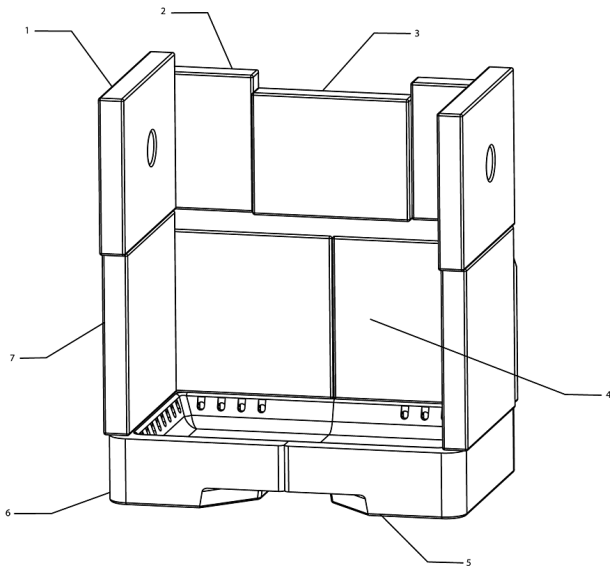
† See Accessories list

### RIVA VISION MEDIUM

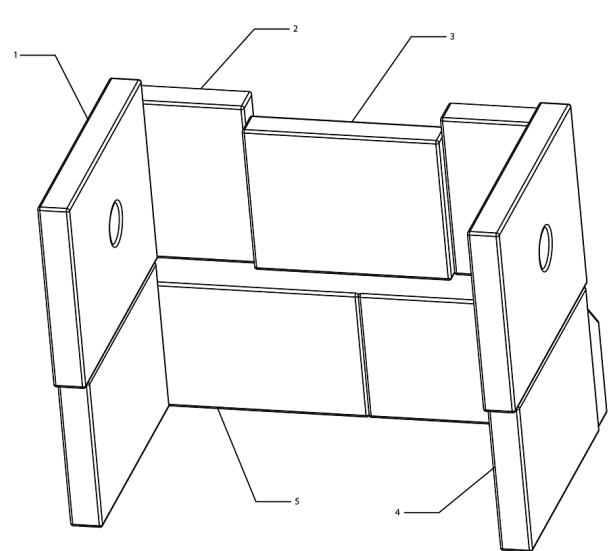
Ref. No.	Description
1	Top Glass Clamp
2	Hinge Plate
3	Shoulder Screws
4	Door Catch Slider
5	LH Door Handle Assembly
6	"O" ring
7	RH Door Handle Assembly
8	Spring
9	Bottom Glass Clamp
N/A†	Glass†
N/A	Complete door assembly

† See Accessories list

## RIVA VISION BRICK ASSEMBLY - WOODBURNING



## RIVA VISION BRICK ASSEMBLY - MULTI-FUEL



### RIVA VISION SMALL

Ref. No.	Description
1	Upper Side Brick
2	Upper Rear Side Brick
3	Upper Centre Brick
4	Lower Rear Brick
5	RH Base Brick
6	LH Base Brick
7	Lower Side Brick

### RIVA VISION MIDI

Ref. No.	Description
1	Upper Side Brick
2	Upper Rear Side Brick
3	Upper Centre Brick
4	Lower Rear Brick
5	RH Base Brick
6	LH Base Brick
7	Lower Side Brick

### RIVA VISION MEDIUM

Ref. No.	Description
1	Upper Side Brick
2	Upper Rear Side Brick
3	Upper Centre Brick
4	Lower Rear Brick
5	RH Base Brick
6	LH Base Brick
7	Lower Side Brick

### RIVA VISION SMALL

Ref. No.	Description
1	Upper Side Brick
2	Upper Rear Side Brick
3	Upper Centre Brick
4	MF Lower Side Brick
5	MF Lower Rear Brick

### RIVA VISION MIDI

Ref. No.	Description
1	Upper Side Brick
2	Upper Rear Side Brick
3	Upper Centre Brick
4	MF Lower Side Brick
5	MF Lower Rear Brick

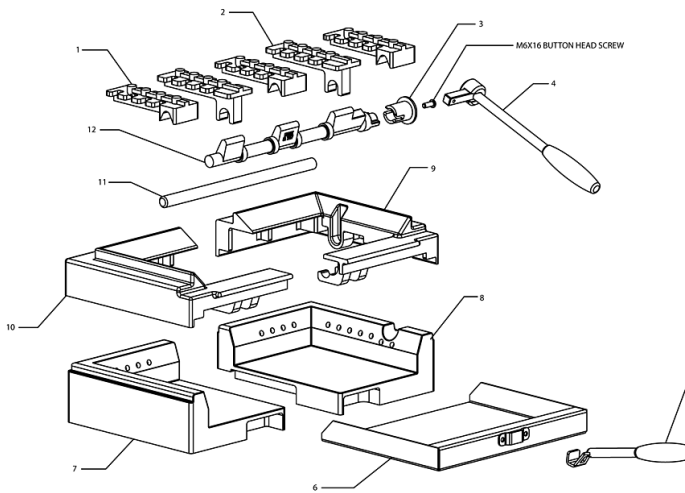
### RIVA VISION MEDIUM

Ref. No.	Description
1	Upper Side Brick
2	Upper Rear Side Brick
3	Upper Centre Brick
4	MF Lower Side Brick
5	MF Lower Rear Brick

Due to continual technical improvements please check online at [www.stovax.com](http://www.stovax.com) or with your Stovax retailer for the most up to date parts lists.

# Basic Spare Parts

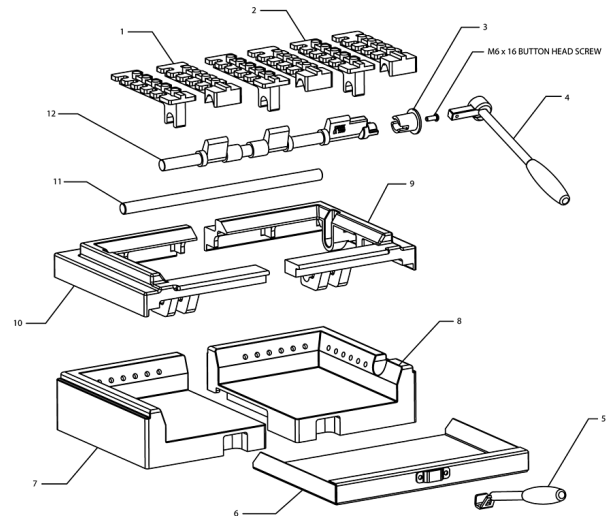
## RIVA VISION SMALL RIDDLING ASSEMBLY - MULTI-FUEL ONLY



### RIVA VISION SMALL

Ref. No.	Product Code	Drawing No. (if different)	Description
1	RVPX-CA7384	CA7384	Riddling Grate Bar
2	RVPX-CA7385	CA7385	Fixed Grate Bar
3	RVN-CA7595	CA7595	Riddling Socket
4	RVPX-MEC8008	MEC8008	Riddling Tool
5	RVPX-MEC8013	MEC8013	Ash Pan Tool
6	RVN-MEC8430	MEC8430	Ashpan
7	RVN-CA7577	CA7577	LH Base Casting
8	RVN-CA7568	CA7568	RH Base Casting
9	RVN-CA7554	CA7554	RH Infill
10	RVN-CA7553	CA7553	LH Infill
11	RVPX-ME501354	ME501354	Back Riddling Bar
12	RVN-CA7557	CA7557	Riddling Bar

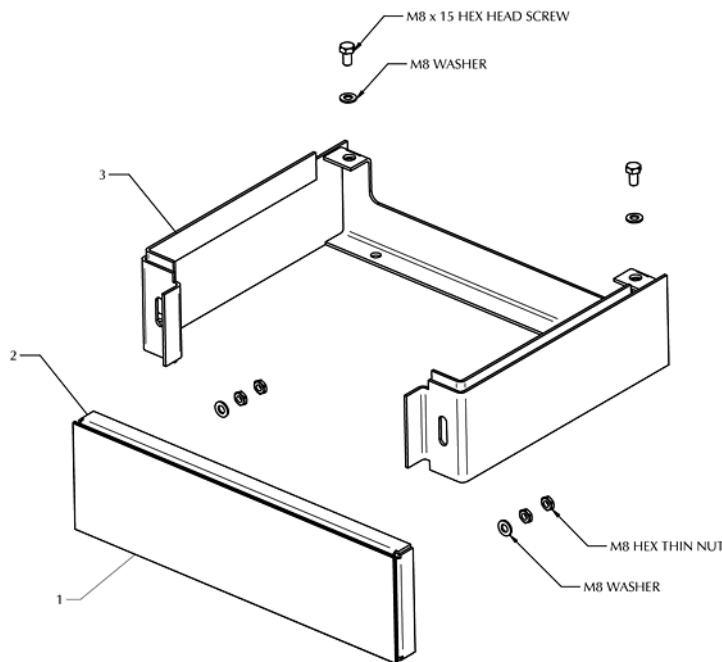
## RIVA VISION MIDI RIDDLING ASSEMBLY - MULTI-FUEL ONLY



### RIVA VISION MIDI

Ref. No.	Product Code	Drawing No. (if different)	Description
1	RVPX-CA7476	CA7476	Grate Bar Moving
2	RVPX-CA7477	CA7477	Grate Bar Fixed
3	RVN-CA7595	CA7595	Riddling Socket
4	RVPX-MEC8008	MEC8008	Riddling Tool
5	RVPX-MEC8013	MEC8013	Ash Pan Tool
6	RVN-MEC8261	MEC8261	Ashpan
7	RVN-CA7578	CA7578	LH Base Casting
8	RVN-CA7572	CA7572	RH Base Casting
9	RVN-CA7556	CA7556	RH Infill
10	RVN-CA7555	CA7555	LH Infill
11	RVPX-ME600192	ME600192	Back Riddling Bar
12	RVN-CA7509	CA7509	Riddling Cam Arm

## RIVA VISION PLINTH ASSEMBLY



RVN-SMPG / RVN-MIDPG / RVN-MEDPG

### RIVA VISION SMALL

Ref. No.	Description
1	FRONT GLASS
1	GLASS & GLUE
2	MOCK DOOR ASSEMBLY
3	FRAME ASSEMBLY

### RIVA VISION MIDI

Ref. No.	Description
1	FRONT GLASS
1	GLASS & GLUE
2	MOCK DOOR ASSEMBLY
3	FRAME ASSEMBLY

### RIVA VISION MEDIUM

Ref. No.	Description
1	FRONT GLASS
1	GLASS & GLUE
2	MOCK DOOR ASSEMBLY
3	FRAME ASSEMBLY

Due to continual technical improvements please check online at [www.stovax.com](http://www.stovax.com) or with your Stovax retailer for the most up to date parts lists.

## EC Declaration of Conformity



The undersigned, representing the following :

Manufacturer
<b>Stovax Ltd</b>
Falcon Road, Sowton Industrial Estate Exeter EX2 7LF

Herewith declare that the products :

Description	Product code
Small Riva Vision	RVN-SMM / RVN-SMW
Midi Riva Vision	RVN-MIDM / RVN-MIDW
Medium Riva Vision	RVN-MEDM / RVN-MEDW

Description of product : Riva Vision domestic wood and multifuel heating stove product range

Steel fabricated stove body fitted with steel door sets, various decorative trim and firegrate options.  
Supplied in various sizes to give a range of heat output options.

are in conformity with the provisions of the following EC Directive(s) when installed in accordance with the installation instructions in the product documentation :

98/106/EEC Construction Products Directive

and the standards referenced below have been applied :

EN 13240 : 2001 Roomheaters fired by solid fuel – Requirements and test methods

Product : Roomheater fired by solid fuel as covered under the scope of the standards listed.  
Intended use : Space heating in residential buildings.

Characteristic	Performance	Report
Fire safety	Satisfies	
Emission of combustion products	Small Riva Vision (RVN-SMM / RVN-SMW) CO @ 13% O <sub>2</sub> Wood 0.17% - Briquetted fuel 0.23% Midi Riva Vision (RVN-MIDM / RVN-MIDW) CO @ 13% O <sub>2</sub> Wood 0.17% - Briquetted fuel 0.23% Medium Riva Vision (RVN-MEDM / RVN-MEDW) CO @ 13% O <sub>2</sub> Wood 0.11% - Briquetted fuel 0.21%	
Release of dangerous substance	None	
Surface temperature	Satisfies	
Mechanical resistance (to carry a chimney/flue)	Maximum weight to be supported 25Kg	
Thermal output / Efficiency	Small Riva Vision (RVN-SMM / RVN-SMW) Wood 5.0Kw @ 74.3% - Briquetted fuel 5.0Kw @ 75.7% Midi Riva Vision (RVN-MIDM / RVN-MIDW) Wood 6.5Kw @ 73.3% - Briquetted fuel 6.5Kw @ 75.5% Medium Riva Vision (RVN-MEDM / RVN-MEDW) Wood 8.0Kw @ 73.3% - Briquetted fuel 9.0Kw @ 78.9%	

Test laboratory : 0558

Name : Greg Taylor

Position : Technical Director

Signature :

Date : 18 / 08 / 2009

Sheet 1 of 1

# Service Records

## 1ST SERVICE

Date of Service:.....

Next Service Due:.....

Signed:.....

Dealer's Stamp/HETAS Registration Number

## 3RD SERVICE

Date of Service:.....

Next Service Due:.....

Signed:.....

Dealer's Stamp/HETAS Registration Number

## 5TH SERVICE

Date of Service:.....

Next Service Due:.....

Signed:.....

Dealer's Stamp/HETAS Registration Number

## 7TH SERVICE

Date of Service:.....

Next Service Due:.....

Signed:.....

Dealer's Stamp/HETAS Registration Number

## 9TH SERVICE

Date of Service:.....

Next Service Due:.....

Signed:.....

Dealer's Stamp/HETAS Registration Number

## 2ND SERVICE

Date of Service:.....

Next Service Due:.....

Signed:.....

Dealer's Stamp/HETAS Registration Number

## 4TH SERVICE

Date of Service:.....

Next Service Due:.....

Signed:.....

Dealer's Stamp/HETAS Registration Number

## 6TH SERVICE

Date of Service:.....

Next Service Due:.....

Signed:.....

Dealer's Stamp/HETAS Registration Number

## 8TH SERVICE

Date of Service:.....

Next Service Due:.....

Signed:.....

Dealer's Stamp/HETAS Registration Number

## 10TH SERVICE

Date of Service:.....

Next Service Due:.....

Signed:.....

Dealer's Stamp/HETAS Registration Number



### **HETAS Approval**

These appliances have been approved by HETAS as an intermittent operating appliance for burning dry seasoned wood logs and anthracite or manufactured briquette smokeless fuels.

### **Recommended Fuels**

Please note that HETAS Appliance Approval only covers the use of dry seasoned wood logs and anthracite or manufactured briquette smokeless fuels on these appliances. HETAS approval does not cover the use of other fuels either alone or mixed with the recommended fuels, nor does it cover instructions for the use of other fuels.

# **STOVAX**