

STOVAX



Huntingdon 28-30-35-40 *Free Standing Stove*

MODELS: 7064/7065/7065BL/7065LG/7054/7055/7055BL/7055LG/7060/7061/7061BL/
7061LG/7063/7069/7074/7075/7075BL/7075LG

Installation Instructions **For Use in Great Britain and Eire**

This product is suitable for use in the stated countries. To install the product in other countries it is essential to obtain translated instructions and in some cases the product may require modification. Contact Stovax to obtain further information.

IMPORTANT

**Before installation of this product please read these instructions fully.
The installer should complete the commissioning sheet at the start of the User Instructions.**

TECHNICAL SPECIFICATION

HUNTINGDON STOVE

Model			Huntingdon 28	Huntingdon 30	Huntingdon 35	Huntingdon 40
Huntingdon 28 - 7064 / 7065 / 7065BL / 7065LG						
Huntingdon 30 - 7054 / 7055 / 7055BL / 7055LG						
Huntingdon 35 - 7060 / 7061 / 7061BL / 7061LG / 7063						
Huntingdon 40 - 7069 / 7074 / 7075 / 7075BL / 7075LG						
Nominal Heat Output	Wood	kW	6.0	6.0	7.0	9.0
	Solid Fuel	kW	6.0	6.0	7.0	9.0
Flue Draught at Nominal Heat Output	All Fuels	mm	1.25	1.25	1.25	1.25
		inch Wg	0.05	0.05	0.05	0.05
Flue Gas Mass Flow	Wood	g/s	4.7	4.9	5.0	6.6
	Solid Fuel	g/s	5.2	5.5	5.8	5.3
Flue Gas Temperature at Spigot/Socket	Wood	°C	405	405	360	380
	Solid Fuel	°C	405	405	360	380
Flue Outlet Size (Top or Rear Option)		mm	125	150	150	150
		inch	5	6	6	6
Weight		kg	136	160	175	180
Recommended Fuels	Wood	Seasoned wood (less than 20% moisture content)				
	Solid Fuel	Briquette smokeless fuel suitable for closed appliances. (Ancit - Phurnacite - Taybrite - Homefire ovals)				
As tested to the requirements of EN 13240 for intermittent operation.						

1. STANDARD FEATURES

- Primary air (under grate air for full multifuel use) – (Multifuel stoves only)
- Airwash (for woodburning / clean glass)
- Pre-set secondary air control (to ensure complete burning of flue gases)
- Riddling grate system for clean de-ashing – (Multifuel stoves only)
- Top or rear flue exit option

2. PACKING LIST

- User Instructions
- Installer Instructions
- Guarantee card
- Door handle tool

SITE REQUIREMENTS

Before installation of this product please read these instructions fully.

It is very important to also understand the requirements of the UK Building Regulations (England and Wales – Document J / Scotland - Part F), along with any local regulations and working practices that may apply. Should any conflict occur between these instructions and these regulations then the regulations shall apply.

All electrical connections should meet the requirements of UK Building Regulations (England and Wales – Document P / Scotland - Part N).

Your local Building Control Office would be happy to advise should questions arise, regarding the requirements of the regulations.

The Huntingdon Stove should be fitted by a HETAS (GB only) registered installer, or approved by your local building control officer. Your Stovax dealer should be able to arrange this service for you.

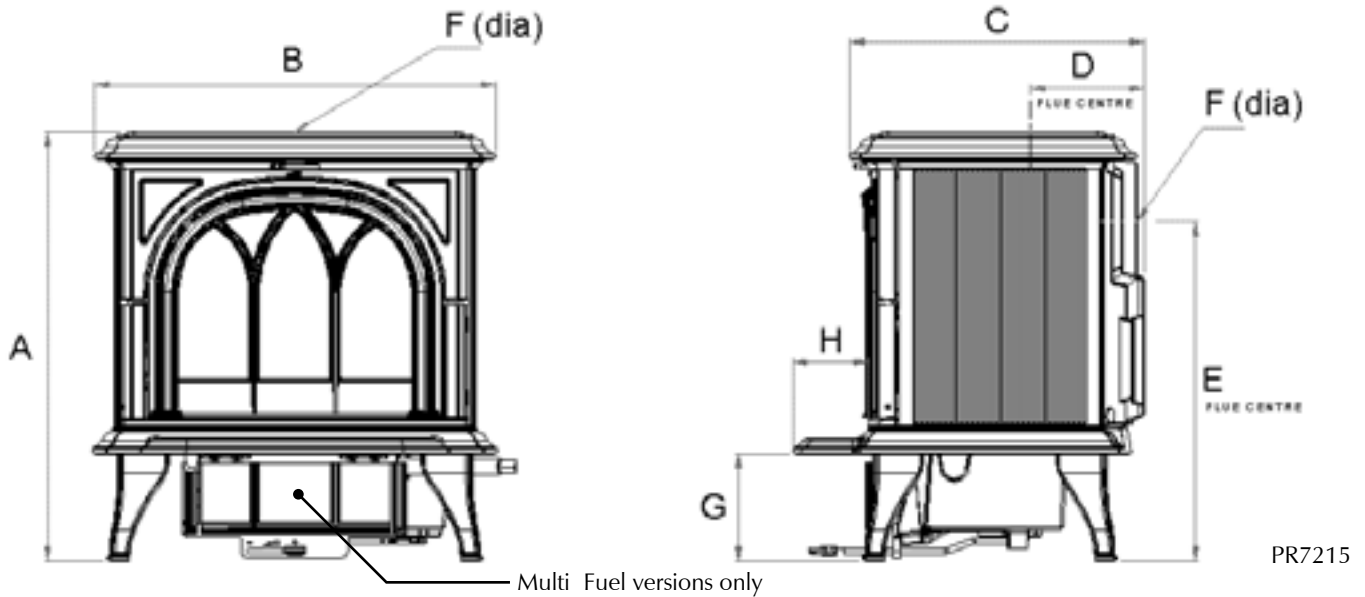
Your building insurance company may also require you to inform them that you have installed a new heating appliance, so check with your insurers that your cover is still valid after installing the Huntindon Stove.

When completing the installation and building works you should comply with your responsibilities under the Health and Safety at Work Acts, and any new regulations, which may be introduced during the lifetime of these instructions.

A faulty installation could cause danger to the inhabitants and structure of the building.

SITE REQUIREMENTS

HUNTINGDON STOVE DIMENSIONS



Description	Model	A	B	C	D	E	F (dia)	G	H
Huntingdon 28	7064 7065 7065BL 7065LG	700	510	385	150	575	125	150	100
Huntingdon 30	7054 7055 7055BL 7055LG	592	553	397	150	469	150	150	105
Huntingdon 35	7063 7060 7061 7061BL 7061LG	730	570	385	150	600	150	220	100
Huntingdon 35	Short leg	660	570	385	150	530	150	150	100
Huntingdon 40	7069 7074 7075 7075BL 7075LG	750	650	440	150	610	150	220	115
Huntingdon 40	Short leg	670	650	440	150	545	150	150	115

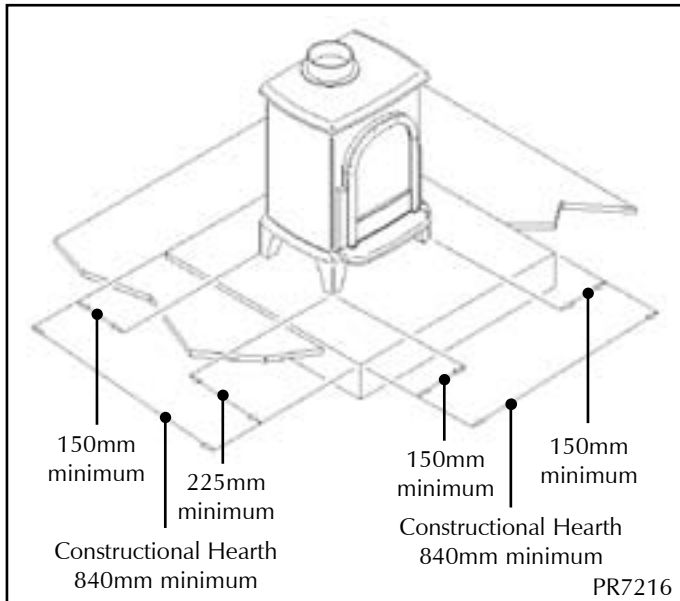
All dimensions in mm. (25.4 mm = 1")

SITE REQUIREMENTS

HEARTH DIMENSIONS

The appliance must stand on a constructional hearth with the minimum dimensions as shown in the diagram below.

Check that the building has a suitable loadbearing capacity for the hearth and Huntingdon stove. If in doubt consult a structural engineer for advice before proceeding.



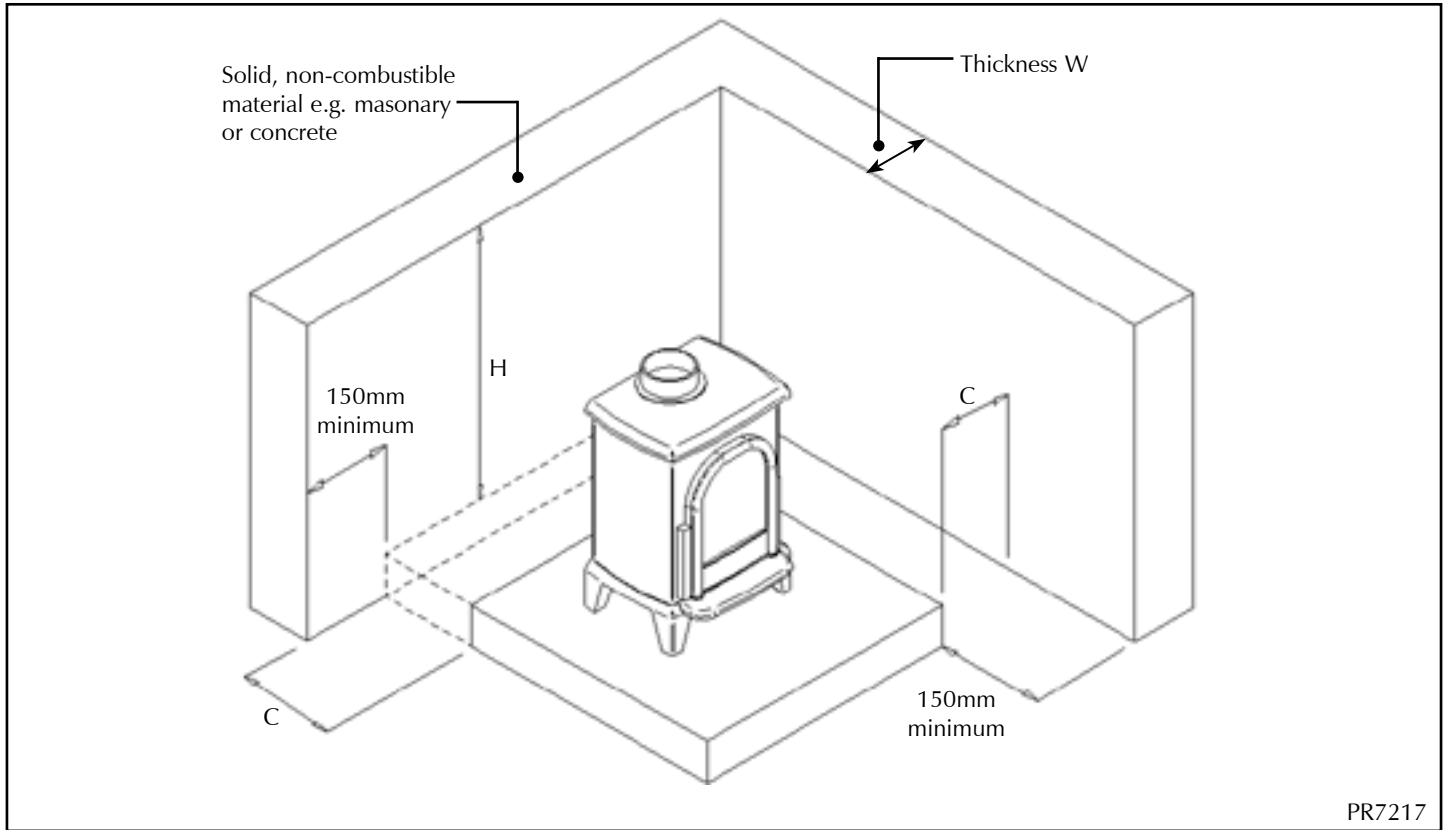
If you are fitting the appliance into an existing hearth setting check that it complies with the current construction regulations and is at least the minimum sizes shown.

If you have no existing fireplace or chimney, it is possible to construct a suitable non-combustible housing and hearth setting. However, this should be constructed to comply with the requirements of both current national and local regulations with the design approved by your local building control officer. Masonry chimney systems built with clay or concrete liners or pre-fabricated block systems should be constructed in accordance with BS 6461 : Part 1. Factory made insulated systems should comply with BS 4543 : Part 2 and be installed to BS 7566 : Parts 1 to 4.

Remember that any new chimney added to your property may also require planning permission.

SITE REQUIREMENTS

WALLS NEXT TO A HEARTH



Location of Stove and Hearth	Dimensions of non-combustible material around Stove		
	Distance 'C'	Thickness 'W'	Height 'H'
If the hearth touches the wall and the stove is placed 0-50mm from the same wall the non-combustible material has to be the dimensions as shown	Zero mm	200mm	Height of stove + 300mm or 1200mm (take largest dimension)
If the hearth touches the wall and the stove is placed 51-300mm from the same wall the non-combustible material has to be the dimensions as shown	Zero mm	75mm	Height of stove + 300mm or 1200mm (take largest dimension)
If the hearth does not touch the wall but is less than 150mm from it, the non-combustible material has to be the dimensions as shown	0-150mm	75mm	1200mm
If the hearth does not touch the wall but is more than 150mm from it, the non-combustible material has to be the dimensions as shown	Over 150mm	No minimum thickness	No minimum height

Suitable clearance should be allowed around the stove to enable the correct fitting and maintenance of the stove.
Any clearances should be confirmed by making a site survey and a physical check of wall thickness and dimensions.

PRE-INSTALLATION CHECKS

It is important that adequate ventilation exists and the Flue or Chimney system that is to be used is in good working condition. Products of combustion that enter the room could be a serious health risk. Before installation of this product we recommend that the Flue or Chimney system and Ventilation requirements are inspected by a competent person, and passed as suitable for use with the appliance to be fitted. In particular the following should be checked:

1. FLUE OR CHIMNEY

- 1.1 The construction of the Flue or Chimney system should meet the requirements of the Building Regulations with sizes as shown on the next page.
- 1.2 An approved factory made system suitable for Solid Fuel use, complying with BS 4543: Part 2, may be used when installed to the requirements of BS 7566: Parts 1 to 4, the manufacturer's instructions and the requirements of Building Regulations.
- 1.3 New masonry chimney systems built with clay or concrete liners or pre-fabricated block systems should be constructed in accordance with BS 6461 : Part 1, and the requirements of Building Regulations.
- 1.4 A flexible flue liner system may be used, if it is independently certified for use with Solid Fuel systems, and is installed according to the manufacturer's instructions and the requirements of Building Regulations. If an appliance is being replaced on an existing flexible flue liner system, the liner system should be replaced, unless it can be proved to be recently installed and can be seen to be in good condition.
- 1.5 The flue exit from the building should be positioned to comply with the requirements of the Building Regulations.
- 1.6 Any existing flue should be confirmed as suitable for the new intended use, as defined in the Building Regulations.
- 1.7 Any existing flue or chimney system must be inspected and swept by a NACS registered (UK only) chimney sweep, to confirm that the system is structurally sound and free from any obstructions.
- 1.8 Suitable access should be provided to enable the collection and removal of debris.
- 1.9 Provision should be made to sweep and inspect the flue when the appliance is installed.
- 1.10 No other heating appliances should be connected to, or share, the same Flue or Chimney system.
- 1.11 Check the flue draught. This should be done with all windows and doors closed and any extraction fans in this or adjoining rooms running at maximum speed. (See next section for additional ventilation requirements)

Note: A guide containing general information on Chimneys and Flues is obtainable from: -

The British Flue & Chimney Manufacturers' Association,
FETA
2 Waltham Court
Milley Lane
Hare Hatch
Reading
Bucks. RG10 9TH

Tel: 0118 9403416 e-mail: info@feta.co.uk

- 1.12 Where a hearth, fireplace, flue or chimney is provided or extended (including cases where a flue is provided as part of refurbishment work), information essential to the correct appliance and use of these should be permanently posted in the building, to meet Requirement J4 of the Building Regulations (England and Wales), F3.12 (Scotland).

PRE-INSTALLATION CHECKS

Model			Huntingdon 28	Huntingdon 30	Huntingdon 35	Huntingdon 40
Huntingdon 28 - 7064 / 7065 / 7065BL / 7065LG						
Huntingdon 30 - 7054 / 7055 / 7055BL / 7055LG						
Huntingdon 35 - 7060 / 7061 / 7061BL / 7061LG / 7063						
Huntingdon 40 - 7069 / 7074 / 7075 / 7075BL / 7075LG						
Flue/Chimney Size	Without Liner System Round (diameter)	mm	150	150	150	150
		inch	6	6	6	6
	Without Liner System (square) Minimum Dimension	mm	135	135	135	135
		inch	5½	5½	5½	5½
	With Liner or Factory made System (diameter) installed in accordance with manufacturers instructions	mm	150†	150	150	150
		inch	6†	6	6	6
Flue/Chimney minimum height*			m	4.5	4.5	4.5
			feet	15	15	15
* When measured from the top of the stove to the top of the flue, with no horizontal sections and a maximum of 4 bends with angles of less than 45°						
† May be 125mm (5") if burning smokeless or low volatiles fuel only						

2. ADDITIONAL VENTILATION

- 2.1 Additional ventilation will be required to comply with the requirements of the Building Regulations. This should be provided using a permanently open air vent, of the size listed, which is positioned so that it is not liable to be blocked both inside and outside the building.
- 2.2 Extractor fans or cooker hoods should not be placed in the same room or space as the appliance.
- 2.3 **If any of these checks reveal problems do not proceed with the fitting of the appliance until they have been rectified.**

Model			Huntingdon 28	Huntingdon 30	Huntingdon 35	Huntingdon 40	
Huntingdon 28 - 7064 / 7065 / 7065BL / 7065LG							
Huntingdon 30 - 7054 / 7055 / 7055BL / 7055LG							
Huntingdon 35 - 7060 / 7061 / 7061BL / 7061LG / 7063							
Huntingdon 40 - 7069 / 7074 / 7075 / 7075BL / 7075LG							
Additional Ventilation			mm ²	550	550	1100	2200
			cm ²	5.5	5.5	11.0	22
			in ²	0.85	0.85	1.7	3.4

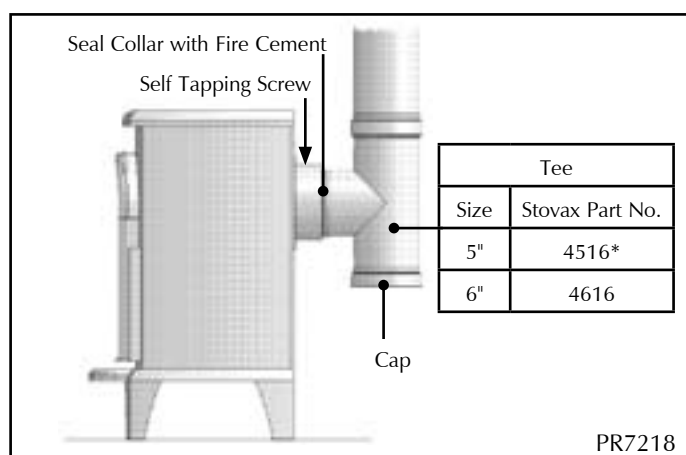
INSTALLATION INSTRUCTIONS

Because each installation is unique to the property, it is not possible to give full details to suit every setting. However, the installation should comply with the requirements of the Building Regulations and be made using "best practice" construction methods.

Remember that many fireplace openings will have a supporting lintel. Do not remove this without making provision to support the remaining structure of the building. **The Huntingdon stove must not form any part of the supporting structure or support the full flue system.**

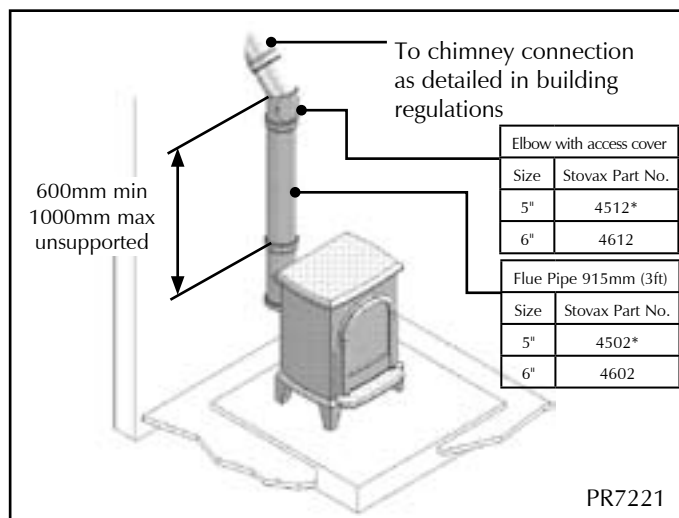
1. INSTALLING THE STOVE

- 1.1 **Care should be taken when handling and fitting enamel finish stoves as it is possible to chip the finish with careless handling and use of tools.**
- 1.2 Decide if the installation is to be top or rear flue exit, and fit and seal, with fire cement, the flue collar and blanking plate to suit. The flue collar attaches to the stove backplate or top plate with hexagonal headed bolts. The blanking plate is fixed to the unused flue outlet with a clamping bar secured with a central bolt.
- 1.3 Lift the stove into position on the prepared hearth area, taking care not to damage the hearth finish. Level stove using foot adjusting bolts.
- 1.4 Connect the stove to the chimney system, using Stovax enamelled flue pipe and seal the connecting joints. Typical top and rear flue connections are shown.
- 1.5 **Rear flue pipe installation**

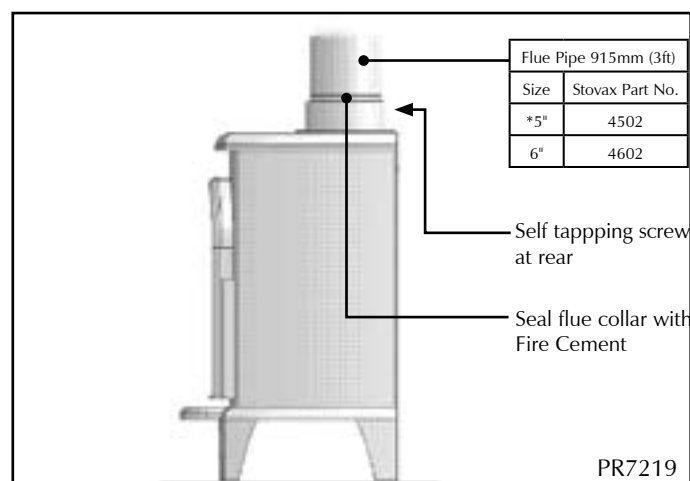


Connect a tee by inserting it into the flue spigot and sealing using fire cement and secure with a suitable self tapping screw. The cap supplied with the tee is used as the cleaning access. **Do not use a 90° elbow to make this connection.**

Typical rear flue installation. Flue to be installed in accordance with flue manufacturers instructions.

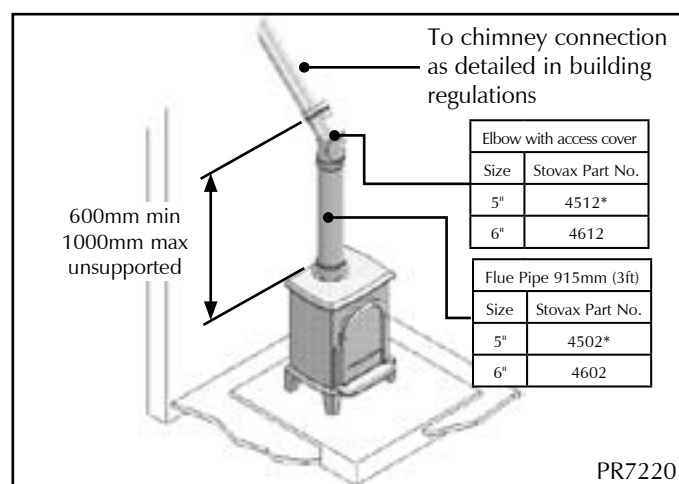


1.6 Top flue pipe installation



- 1.7 Connect a straight piece of flue pipe by inserting it into the flue spigot and sealing using fire cement and secure with a suitable self tapping screw.

Typical top flue installation. Flue to be installed in accordance with flue manufacturers instructions.



* Huntingdon 28 Only

INSTALLATION INSTRUCTIONS

2. TO REMOVE BAFFLES/BRICKS

HUNTINGDON 40

- 2.1 Bricks must be removed first.
Remove side bricks by pulling base of brick towards centre of stove. Repeat for opposite side. Remove rear brick.
Fitting is reverse of the procedure.

TOP BAFFLE BRICKS

- 2.2 Lift LH baffle brick as high and forward as possible, slide RH baffle brick under LH baffle brick and drop into stove. Repeat for LH brick. Fitting is reverse of the procedure.

HUNTINGDON 28, 30 & 35

- 2.3 Lift LH baffle brick, remove RH baffle brick, then remove LH baffle brick. Remove LH and RH side brick and remove back brick. Fitting is reverse of the procedure.

COMMISSIONING

- 1.1 Replace the firebricks, baffle, and log retainer.
- 1.2 Check the door alignment and catch operation, adjust if required. See users instructions section 9.
- 1.3 Inspect the door seals for damage and check the operation of the air controls.
- 1.4 Carry out a final smoke draw test, by first warming the flue with a blowlamp, or similar, for about 10 minutes. Then place a smoke pellet on the centre of the grate, with the air controls open, and close the door. Smoke should now be drawn up the flue and be seen to exit from the flue terminal. This test should be completed with all doors and windows in the room where the stove is fitted closed. Should this test fail the suitability of the flue system and ventilation should be re-checked.
- 1.5 Light the appliance and gently allow the temperature to increase slowly to operating levels. Check that no combustion products are entering the room. When the stove has reached a steady operating condition open the main fire door and carry out a spillage test with a smoke match or pellet around the door opening.
- 1.6 If excessive spillage does occur allow the appliance to cool and re-check the suitability of the flue system and ventilation.
- 1.7 **Explain the safe operation of the stove and the use of the controls to the user, along with the need to only use suitable fuels. Also, explain the cleaning and routine maintenance requirements.**
- 1.8 **Explain the requirement to use a suitable fireguard when children, elderly or infirm persons may be near the appliance.**
- 1.9 **Record dealer/supplier details and installer details in user instructions.**
- 1.10 **Record serial number in user instructions.** This number will be required when ordering spare parts and making warranty claims.
- 1.11 **Give the copy of the user instructions to the customer.**

