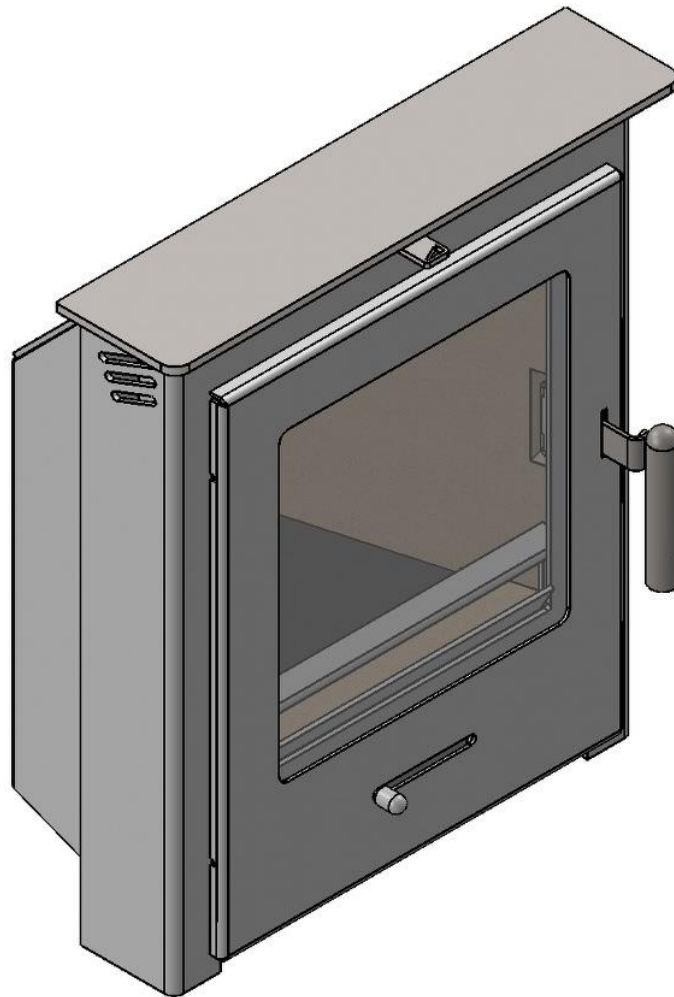


PEVEX SLIMLINE 30 INSET ECODESIGN

**WOOD AND MULTI FUEL INSET STOVE
CE and EN13229 Approved**



**SUITABLE FOR INSTALLATION INTO A 16" X 22" HIGH
FIREPLACE OPENING**



Pevex Enterprises Ltd


Unit MP7 Kirrawah Business Park, Waldringfield, Ipswich, IP12 4PR

Tel: 01473 736399

Fax: 01473 736406



DECLARATION OF PERFORMANCE

WOODBURNING STOVES According to the Regulation No 305/2011		Slimline 30 Inset Ecodesign										
1. Product type unique identification code	Wood burning stove - Requirements and test methods pursuant to EN13229:2002/A2: 2005											
2. Product name	Slimline 30 Inset Ecodesign											
3. Intended use or uses of the construction products in according to the technical specification	Room heater burning wood without water heating											
4. Manufactured and Distributed by www.pevexstoves.co.uk sales@pevexstoves.co.uk	Pevex Enterprises Ltd, Unit MP7 Kirrawah Bus Park, Newbourne Rd, Nr Woodbridge, IP12 4PR											
5. The systems or systems for the assessment and verification of constancy of construction product performance as set out in annex V	System 3											
6. Notified body relevant to the assessment and verification of performance	Strojirensky Zkusebni Ustav S.P. Notified No NB1015											
7. Declaration of performance Harmonised technical specification Emissions tested to EN16510 @ Nom output and 13% O2	EN13229:2002/A2: 2005 <table border="0" style="width: 100%;"> <tr> <td style="width: 60%;">CO %</td> <td style="text-align: right;">0.07</td> </tr> <tr> <td style="text-align: right;">Flue gas flow rate (g/s)</td> <td style="text-align: right;">6.2</td> </tr> <tr> <td style="text-align: right;">Nox (mg/Nm3)</td> <td style="text-align: right;">121</td> </tr> <tr> <td style="text-align: right;">OGC (mg/Nm3)</td> <td style="text-align: right;">80</td> </tr> <tr> <td style="text-align: right;">Dust (mg/Nm3)</td> <td style="text-align: right;">37</td> </tr> </table>		CO %	0.07	Flue gas flow rate (g/s)	6.2	Nox (mg/Nm3)	121	OGC (mg/Nm3)	80	Dust (mg/Nm3)	37
CO %	0.07											
Flue gas flow rate (g/s)	6.2											
Nox (mg/Nm3)	121											
OGC (mg/Nm3)	80											
Dust (mg/Nm3)	37											
8. Fire safety Reaction to fire Test of fire safety in connection with burning of wood Distance to combustibles	<table border="0" style="width: 100%;"> <tr> <td style="width: 60%;"></td> <td style="text-align: right;">A1</td> </tr> <tr> <td style="text-align: right;">Rear (mm)</td> <td style="text-align: right;">175</td> </tr> <tr> <td style="text-align: right;">Sides (mm)</td> <td style="text-align: right;">300</td> </tr> <tr> <td style="text-align: right;">Front (mm)</td> <td style="text-align: right;">800</td> </tr> </table>			A1	Rear (mm)	175	Sides (mm)	300	Front (mm)	800		
	A1											
Rear (mm)	175											
Sides (mm)	300											
Front (mm)	800											
9. Safety Mechanical strength to support a chimney Electrical Surface temperature Cleanability	<table border="0" style="width: 100%;"> <tr> <td style="width: 60%;"></td> <td style="text-align: right;">Not tested</td> </tr> <tr> <td style="text-align: right;">Electrical</td> <td style="text-align: right;">NPD</td> </tr> <tr> <td style="text-align: right;">Surface temperature</td> <td style="text-align: right;">pass</td> </tr> <tr> <td style="text-align: right;">Cleanability</td> <td style="text-align: right;">pass</td> </tr> </table>			Not tested	Electrical	NPD	Surface temperature	pass	Cleanability	pass		
	Not tested											
Electrical	NPD											
Surface temperature	pass											
Cleanability	pass											
10. Thermal output Nominal heat output Energy efficiency Flue gas temperature Water heating	<table border="0" style="width: 100%;"> <tr> <td colspan="2" style="text-align: center;">Slimline 30 Inset Ecodesign</td> </tr> <tr> <td style="width: 60%;">kW</td> <td style="text-align: right;">4.9</td> </tr> <tr> <td style="text-align: right;">%</td> <td style="text-align: right;">77</td> </tr> <tr> <td style="text-align: right;">deg C</td> <td style="text-align: right;">290</td> </tr> <tr> <td style="text-align: right;">Water heating</td> <td style="text-align: right;">N/A</td> </tr> </table>		Slimline 30 Inset Ecodesign		kW	4.9	%	77	deg C	290	Water heating	N/A
Slimline 30 Inset Ecodesign												
kW	4.9											
%	77											
deg C	290											
Water heating	N/A											

The performance for the products identified in point 2 is in conformity with the declared performance in point 7. This declaration of performance has been issued under the sole responsibility of the manufacturer as identified in point 4 above.

Signed on behalf of the manufacturer:



Adrian Hockley, MD 3/1/2019

Congratulations on the purchase of your new Slimline 30 Inset Ecodesign Stove. Your new purchase will provide you with a level of pleasure and comfort not previously experienced in your home.

The Slimline 30 Inset is a heavy duty British designed multifuel stove. It has been designed for easy installation and ease of use giving a lovely flame pattern when burning wood and a wonderful warm radiant and convection heat. The stove is highly efficient with a clean burn firebox and efficiencies above 76% (Net) when burning wood and features a full size door, large glass window, vermiculite insulated firebox, convector top plate, easy to use lift up handle and heavy weight steel construction.

Please read and follow the advice and instructions on the safe and efficient operation of your stove to ensure it has a long trouble free life and also read and follow the installation instructions before installing the stove.

PART 1 OPERATING INSTRUCTIONS

A stove compared with an open fire is a very efficient heating appliance and must be installed and used safely and wisely, it is important to understand the working of such an appliance and to understand the process of converting the fuel into heat and its efficient transfer from the firebox to the room in order to gain the most from the stove.

A stove creates an almost perfect environment to burn wood in. The firebox will run at a very high temperature ideal to burn the volatiles given off in the burning process and the precise air controls allow minimal heat loss into the flue. The Slimline 30 Inset Ecodesign stove operates at an efficiency of approx 70% Gross CV basis (+76% Net) and is very much more efficient than an open fire avoiding the wasteful draughts normally associated with that type of appliance

Burning wood is the natural way to store the sun's energy to then be released in a carbon neutral process to heat your house when the need is most. On a cold winters night there is nothing to beat the release of heat and flame in a stove to raise the spirit.

The preparation and burning of wood as a fuel in stoves can be traced back many centuries, however it is a forgotten or maybe never fully discovered activity in the United Kingdom, we have much to learn from our European and Scandinavian neighbours whose colder winters have instinctively led them into a natural wood burning culture.

Wood for fuel is probably one of the most environmentally friendly energy sources, it is carbon neutral, trees used for fuel production regenerate very quickly and it is a pleasant and satisfying job preparing the firewood for the coming winters.

WARNING NOTE

Properly installed, operated and maintained this stove will not emit fumes into the dwelling. Occasional fumes from de-ashing and refueling may occur. However, persistent fume emission is potentially dangerous and must not be tolerated. If fume emission persists, then the following immediate action should be taken:

- a) Open doors and windows to ventilate room and then leave the premises.
- b) Let the fire go out.
- c) Check for flue or chimney blockage and clean if required
- d) Do not attempt to relight the fire until the cause of the fume emission has been identified and corrected.
If necessary seek expert advice

The most common cause of fume emission is flue way or chimney blockage. For your own safety these must be kept clean at all times. **Any permanent air vent provided for combustion air must not be blocked off. There must not be an extractor fan fitted in the same room as the stove as this can cause the stove to emit dangerous fumes into the room.**

Your installer should have fitted a CO alarm in the same room as the appliance. If the alarm sounds unexpectedly then follow procedures a-d as shown above.

CHIMNEY CLEANING

The chimney should be swept at least once a year for smokeless fuels and a minimum of twice a year for wood and other fuels. It is important that the flue connection and chimney are swept prior to lighting up after a prolonged shutdown period. If the stove is fitted in place of an open fire then the chimney should be swept one month after installation to clear any soot falls which may have occurred due to the difference in combustion between the stove and the open fire.

In situations where it is not possible to sweep through the stove the installer will have provided alternative means such as a soot door. After sweeping the chimney, the stove flue outlet and the flue pipe connecting the stove to the chimney must be cleaned with a flue brush.

It is possible to sweep through the Slimline 30 Inset stove by removing the lower vermiculite baffle and upper steel baffle to gain access to the flue pipe. The method of removal is described later in the manual on page 8.

The connecting flue pipe and stove baffle should be checked monthly to clear any fly ash or soot deposits.

USE OF A FIREGUARD

When using the stove in situations where children, aged and/or infirm persons are present a fireguard must be used to prevent accidental contact with the stove. The fireguard should be manufactured in accordance with BS6539.

INSTRUCTIONS FOR USE:

First Firing

The stove has been treated with a heat-resistant coating, which hardens at a temperature of approximately 250^o C. This hardening process causes the production of smoke and malodorous fumes, so the room must be **very well ventilated**.

During the first firing, which should be carried out using approximately 1 kg of wood, the door must be left slightly open and must not be closed until the stove is cold. This is to prevent the sealing rope sticking to the stove.

RECOMMENDED FUELS

The recommended fuels that can be burnt on this stove is wood logs and smokeless fuels (see below) of which we would recommend brown coal or ancit which is approved by Hetas.

Correct firing provides optimal heat output and maximum economy. At the same time, correct firing prevents environmental damage in the form of smoke and malodorous fumes and also reduces the risk of chimney fires.

Well seasoned woodfuel is essential for correct use. Make sure your fuel is kept dry. If the fuel is wet, a large proportion of the heat will be used to vaporize the water, and this energy will disappear up the chimney. It is clearly not only uneconomical to fire with wet fuel but also, as mentioned above, increases the risk of producing soot, smoke and other environmentally damaging by-products. When wood is used as a fuel, it is important that it is dry, i.e. wood with moisture content less than 20%. Ideally firewood needs seasoning for at least 2 summers, logs should be stacked in a well-ventilated situation, and logs over 100mm diameter should be split. The stack should be protected from rain but remain well ventilated.

Generally dry wood (<20% moisture content) produces 4.5kW/h per kg; semi dry about 3kW/h per kg and wet wood 1kW/h per kg demonstrating that fewer drier logs are required to produce the same amount of heat output.

APPLIANCE	WOOD LENGTH
Slimline 30 Inset	26cm



Wood length

MIXED FUEL USE

Use of brown coal and smokeless fuel

Uni-logs (brown coal brickettes) may be burned on the stove. Good performance will be obtained using these brickettes. Anthracite, a naturally occurring smokeless fuel is also recommended to be used. However, avoid over-firing by overloading the firebox as solid fuel burns hotter and longer than wood therefore reduce the loading weight to suit the output of the appliance (eg., Anthracite = 8.6kW/kg which means you only need 0.6kg for 5kW of heat output). Always open the air control every 3 hours for 20 mins to clear any gases that have accumulated in the firebox.

Some approved smokeless solid fuels may also be used although please be aware that there are multiple blends available on the market containing different levels of chemicals, petroleum coke and sulphur contents. Some of the characteristics of these fuels has been known to cause problems with the stove internals and flue system and therefore we would suggest that a modern fuel such as Ecoal 50 which contains anthracite and biomass be

used. Please read the section below about how to light and use your stove and the problems of slumbering a stove.

A mixture of seasoned wood and smokeless fuel will provide extended burn times with a good flame picture

USE OF BROWN COAL OR OTHER NON-AUTHORISED FUELS SHOULD NOT BE USED ON THE APPLIANCE IF LOCATED IN A SMOKE CONTROL AREA UNLESS IT IS PART OF A MANUFACTURED AUTHORISED FUEL.

It is essential when burning smokeless solid fuels that the ashpan is emptied on a daily basis. Ash must not be allowed to build up below the grate. Note brown coal and smokeless fuel should also be stored dry and ventilated.

Use of Petroleum coke, liquid fuels, house coal and unauthorised fuels will invalidate the guarantee and **must not be used** as this will cause the stove to “over fire” as well as damaging the internal components. Operating at temperatures in excess of 500°C will cause irreparable damage which is not covered by the guarantee. Burning any “contaminated” or treated wood which may have been painted, varnished, oiled/stained or materials such as MDF or plywood which contain resins/glues should never be used as this will cause an over-fire situation resulting in damage to the glass and bricks not to mention the toxic gases emitted into the atmosphere. Also, never burn bituminous house coal which is designed for open fires and not for use in stoves as this fuel is very volatile and gaseous containing lots of sulphur which will **permanently etch marks in the glass** as well as potential damage to the bricks, baffles and grate.

FUEL CONSUMPTION AT NOMINAL HEAT OUTPUT

	Nominal Output kW	Wood kg/hr	Ancit kg/hr
Slimline 30 Inset Ecodesign	4.9	1.1	0.59

Tested according to the requirements of EN13229. Note that different fuel consumption results may be achieved due to other factors which include the fuel, chimney draught and atmospheric conditions etc.

The nominal output is the output to which the stove has been tested. In practice, the stove burns with a heat output range between its minimum and maximum ratings.

LIGHTING AND COMBUSTION

The primary air is drawn into the stove through the air slider located on the lower part of the door; slide the knob to the right to allow air to enter and slide it in to the left to shut off the air supply. Allowing 20% of primary air to enter is a recommended position during normal operation of the stove after the fire has established in the firebox, allowing a preset bleed of air to enter. In practice however, you may find it necessary to reduce/increase the air supply depending on the fuel you are burning and the draught of your chimney.

The secondary air is regulated with the aid of a slider above the door; sliding it to the right increases the air supply. The heated secondary air flows down the viewing window creating an “airwash” to keep the glass clean and feeding the fire; it is this secondary combustion that completes the burning cycle by turning unburned volatiles into flame. Finally, any remaining unburnt volatiles are burnt when preheated tertiary air enters the firebox through the tertiary air holes in the rear bricks.

As much as half of the heat obtainable from wood is achieved from secondary and tertiary combustion. It is important that the firebox temperature is maintained at a high level as this also aids complete combustion. For example, when first lighting a stove it is important to get it really hot before closing the burning rate down. The firebox temperature should reach 400°C which equates to approximately 250 °C at the flue pipe

The Slimline 30 Inset Ecodesign stove is designed and fully tested to burn extremely cleanly with very little smoke discharge and exempt for use in smoke control areas throughout the UK when burning dry wood logs. To comply, a built-in permanent stop is fitted to the secondary air slider so that it cannot be closed completely and will always allow a preset amount of air to enter. A permanent amount of secondary air must therefore enter the firebox to feed the fire producing negligible amounts of smoke and unburnt hydrocarbons. The appliances will only be considered as exempt appliances if this stop on the secondary air slider is in place.

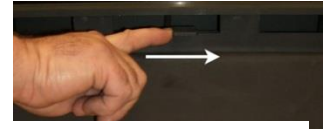
LIGHTING THE STOVE



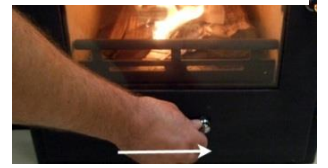
1. Put 2 small logs on a bed of ash spaced about 6-7cm apart. Place some scrunched up newspaper/paper with 1-2 firelighters in between and move air lever to right.



2. Neatly stack dry kindling on top of the logs into approx 3 layers and light the bottom fire lighters.



3a. Fully open top air slider



3b. And lower air slider and leave the door slightly ajar to allow air to enter and the fire to establish.



3. With the door slightly open the fire will quickly build warming the stove and chimney. After about 5/10 minutes the door can be shut and the stove can be controlled by the air slider. Adjust the air lever to about the mid position for optimal combustion.



5. After about 40/50 minutes and when the last flames go out a red hot ember bed will be left and further wood can be added.



6. Place 2/3 logs on the ash bed ensuring that the wood is not stacked too closely and with the air slider fully open. The wood will ignite in 2/3 minutes. Adjust the air slider for optimum combustion.

Note:

If the fire dies down completely or embers are smoldering then it will be necessary to place some screwed up paper or firelighters onto the grate with some kindling or small pieces of wood to reestablish the fire once again. Leave the air slider fully open and allow the fire to build before refueling with larger pieces of wood and then adjust the air slider for optimum combustion.

Do not overload the firebox by loading above the tertiary air diffuser at the back of the firebox and ensure that the wood is retained by the log guard. Always ensure that the wood is not tightly stacked so that air can circulate freely.

Do not leave the door open: Operation with the door open can cause excess smoke. The appliance must not be operated with the appliance door left open except as directed in the instructions.

Do not leave the airsliders completely open: Operation with the airslider permanently open can cause excess smoke as well as the stove to burn too hot. The appliance must not be operated with air controls or dampers left open except as directed in the instructions.

SLUMBERING A STOVE

Whilst it may seem appealing, slumbering a stove at the end of an evening by turning off the air supply is not to be recommended especially when burning solid fuels. Not only is this harmful to the environment due to the incomplete combustion of the fuel but there is a potential to create longer term problems to the stove internals which includes the glass door panel and flue components. Incomplete combustion of the fuel will lead to gas build up in the fire chamber particularly sulphur, which under certain conditions can start attacking these components and will not be covered under any circumstance.

SAFETY PRECAUTIONS

A risk of blowback and/or explosion can arise if too much dry wood is placed in the stove and burnt with insufficient combustion air. This may result in the production of gaseous compounds which can ignite if the intake of primary and secondary air is insufficient and the firebox temperature too low.

For woodburning it is an advantage always to leave some ash lying in the bottom of the combustion chamber. Take care when emptying the ash pan, as cinders can continue to burn in the ash for long periods of time.

MAINTENANCE OF MATT BLACK PAINT FINISH

The surface of the stove has been treated with heat-resistant paint. The stove can be cleaned with a soft brush after it has cooled down. Any damage to the surface in the form of chips or scratches can be repaired using touch-up paint, which is available in spray cans. If the stove has become grey in colour due to overheating, touch-up paint of this kind can be used to repaint the stove entirely. Alternatively, the stove can be maintained with a traditional type of stove polish of which there are several proprietary makes available. Do not use an aerosol spray anywhere near the stove when it is either alight or still hot – allow it to cool down before respraying.

MAINTENANCE OF THE STOVE GLASS

Incorrect firing, for example using wet wood, or slow burning can result in the viewing window becoming covered in soot. This soot can be easily and effectively removed by using a dry wiper glass cleaner (as supplied by Schott Robax), when the glass is cold. Burning contaminated, incorrect solid fuels or fuels **high in sulphur may cause permanent damage** to the glass (as described on page 4) which is not covered by any warranty.

OPERATIONAL PROBLEMS

In the event of smoke or malodorous fumes being produced, you must first check to see whether the chimney is blocked. The chimney must, of course, always provide the minimum draught necessary (12 Pa) to ensure that it is possible to regulate the fire. However, the chimney draught may also be affected by weather conditions. Both wind and temperature can affect the performance of a chimney.

In cases where the wood burns too quickly, this may be due to excessive chimney draught. You should also check to make sure that the door seal is intact. If the stove produces too little heat, this may be due to the fact that you are firing with wet wood. A large proportion of the heat output will be used to dry the wood, resulting in both uneconomical heating and an increased risk of soot and tar deposits forming in the chimney.

STANDING DOWN AT THE END OF THE SEASON

At the end of the burning season the stove should be prepared for the stand down period, this is to prevent corrosion both in the stove and flue system.

The stove should be cleared of all ash, the baffle and flue ways cleared of soot and fly ash and the chimney swept.

All air vents should be in the open position and it is recommended that the door is left ajar to ventilate the chimney.

This is the ideal time to check for parts that may need replacing and to lubricate door hinges and catches. Also it is recommended that all screws holding the glass in place are removed and replaced with a high temperature lubricant such as copper slip.

PART II INSTALLATION INSTRUCTIONS (for UK excluding Scotland where local Building regulations must be conformed to).

It is essential that the installation is carried out by an experienced and competent installer who is HETAS registered (see www.hetas.co.uk) and with reference to BS 8303, Code of Practice for installation of domestic heating and cooking appliances burning solid mineral fuel. Under England & Wales Building Regulations it is a legal requirement that the stove is either installed by a competent person, which is an installer who is HETAS Registered, or that the installation is carried out under Local authority building control approval.

CO ALARMS

Building regulations require that whenever a new or replacement fixed solid fuel or wood/biomass appliance is installed in a dwelling a carbon monoxide alarm must be fitted in the same room as the appliance. Further guidance on the installation of the carbon monoxide alarm is available in BS EN 50292:2002 and from the alarm manufacturer's instructions. Provision of an alarm must not be considered a substitute for either installing the appliance correctly or ensuring regular servicing and maintenance of the appliance and chimney system.

See the Building Regulations 2002 Approved document J

Recommended Reading:

Fireplaces Chimneys and Stoves by Michael Waumsley.
Published by the Crowood Press. ISBN1 86126 746 0

Health and Safety Precautions

Special care must be taken when installing the stove such that the requirements of the Health and Safety at Work Act are met.

Handling

Adequate facilities must be available for loading, unloading and site handling.

Fire Cement

Some types of fire cement are caustic and should not be allowed to come into contact with the skin. In cases of contact, wash immediately with plenty of water.

Asbestos

This stove contains no asbestos. If there is a possibility of disturbing any asbestos in the course of the installation then please seek specialist guidance and use appropriate protective equipment.

Metal Parts

When installing or servicing this stove care should be taken to avoid the possibility of personal injury

ASSESSING THE REQUIREMENTS FOR THE INSTALLATION OF A STOVE

Your supplier or Hetas registered installer will be able to advise you on the individual requirements that are needed to install a stove safely.

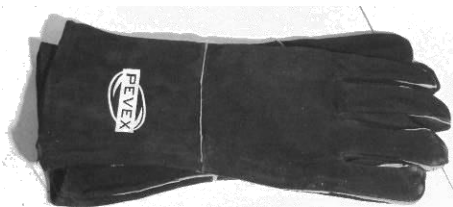
It is most important that the stove is the correct size. This means that the output should match the heat requirements of the room. Also, to be considered is the fuel choice and the provision of suitable and convenient storage with easy access to the stove.

Having decided on the ideal appliance then the installation should be fully assessed. The chimney requirements should be carefully assessed. Hearth requirements should be carefully specified, remember the building regulations lay out the minimum requirements. The chances of damaging a floor or carpet will be much reduced if the depth of a hearth is extended beyond the minimum. Any combustible materials should be at least 500mm distance from the sides and back and 800mm clear of the door and should never be allowed to exceed 80 °C. For further advice on chimney and hearth also see details below.

Assess also the fireplace surround if any is to be used, it is essential that combustible materials are not used close to the stove and flue pipe. This requirement may vary depending on the construction of a stove but is advised to keep combustible materials at least 500mm or preferably 1 metre away from the stove or flue pipe.

THE FOLLOWING ITEMS ARE INCLUDED WITH THE STOVE

A pair of leather gloves for operation of door handle and refueling the stove, an ashpan and handle.



Leather gloves



Ashpan and handle

HEARTH

The fireplace and hearth should conform to at least the minimum requirements laid out in the Building Regulations Approved Document J. The hearth should be able to accommodate the weight of the stove and its chimney if the chimney is not independently supported

Stoves must stand on a non-combustible hearth that must extend at least 300mm in front and 150mm to either side and rear if the flue outlet is from the top.

DIMENSIONS AND CLEARANCES

No Combustible materials should be used in the construction of a fireplace or within the chimney or used in the installation of a stove, flue or chimney.

Care should also be taken in the construction of hearths or fireplaces to ensure that suitable provision is taken to allow for expansion and contraction of the construction materials. It is recommended that if a back panel is used that it should be constructed/built with suitable expansion joints (sectioned and slabbed) especially where maximum heat will be generated at the top of the stove and where it touches the panel.

MINIMUM RECOMMENDED CLEARANCES IN A SOLID MASONRY FIREPLACE RECESS			
	SIDES	REAR	TOP
SLIMLINE 30 INSET ECODESIGN	50mm	50mm	150mm

CLEARANCES FROM COMBUSTIBLES when installing in a freestanding situation:

MINIMUM RECOMMENDED CLEARANCES FROM COMBUSTIBLE MATERIALS:			
	SIDES	REAR	TOP
SLIMLINE 30 INSET ECODESIGN	300mm	175mm	250mm

- Recommended minimum clearance from front to combustible materials 800mm

It is deemed safe to install a Slimline 30 Inset stove on a combustible floor provided it is covered by a non-combustible hearth plate of at least 12mm thickness and extends at least 300mm in front and 150mm to either side.

Note: un-insulated flue pipe must be installed to local building regulations (we recommend that not more than a 1 metre length of plain un-insulated pipe is used before connection to a chimney system and that no combustible materials are within 500mm of the flue pipe).

Baffle plate removal

The Slimline 30 Inset Ecodesign stove is fitted with a twin baffle system to improve efficiency and lower CO with the lower one made from vermiculite and the upper one made from steel. Removal of the steel baffle allows immediate access into the flue system for sweeping.

Removal of lower vermiculite baffle



1. Remove the front base brick part



2. Gently lift the front fence up and out of the stove followed by the grate and remaining base bricks



3. Ease the left hand side brick away whilst supporting the front baffle section with your other hand. Carefully manoeuvre both baffle brick sections out of the stove



4. Remove the right hand side brick followed by the 2 rear bricks

Once the lower vermiculite baffle has been removed then it is possible to remove the upper steel baffle and gain access to the flue. Removal is achieved by undoing the 2 locking bolts by 1-2 turns and drawing it forward to allow the bolt heads to pass through the slots. Reassemble is the reverse by hooking the front of the baffle over the bolt heads and sliding it backwards and retighten the bolts.

CHIMNEY IMPORTANT WARNING

This stove must not be installed into a chimney that serves any other heating appliance. The chimney must be a minimum height of 4.5 metres overall height and be in accordance with Building Regulations Approved Document J and reference should be made to British Standard BS EN 15287-1:2007 design, installation and commissioning of chimneys. Any chimney, either masonry or a prefabricated stainless steel system must be constructed and installed according to building regulations. It is recommended that the minimum diameter of the flue liner be 150mm although for a smoke approved appliance then a 125mm can be used. For new masonry chimneys we recommend pumice cement liners. A chimney draught of at least .06" (12Pa or 1.5mm) is recommended. If it is found that there is excessive draught in the chimney then a draught stabiliser should be fitted.

Provision must be made for easy sweeping of the chimney. A soot door can be built into a masonry chimney and flue pipe is available with cleaning doors.

Any bend in the chimney or connecting fluepipe should not exceed 45° and 90° bends should not be used.

THE CHIMNEY CONNECTION.

The flue pipe for connecting the appliance to the chimney must be installed according to Building Regulations Approved Document J and its diameter must be not less than the diameter of the outlet of the appliance. The fluepipe must be adequately sealed to both the stove and the chimney to avoid any leakage.

We recommend also that no more than 1metre of plain un-insulated flue pipe be used to connect to the chimney.

ALL CHIMNEYS SHOULD BE SWEEPED AND INSPECTED BEFORE INSTALLATION OF ANY APPLIANCE

For relining existing chimneys 316 or 904 grade stainless steel liners or pumice cement liners in accordance with Building Regulations Approved Document J should be used. Liners should be suitably insulated. We recommended that any chimney relining is carried out by an experienced and competent installer who is HETAS registered (see www.hetas.co.uk). The HETAS Guide to Approved Products and Services lists Chimneys and lining systems suitable for use with solid fuel.

SWEEPING THROUGH SLIMLINE 30 INSET.

It is possible to sweep through the Slimline 30 Inset Ecodesign Stove. Remove the baffles as described above, and access can be gained to the flue pipe.

VENTILATION

Purpose made ventilation is not required on the Slimline 30 Inset Ecodesign stove for houses built before 2008. Houses built after 2008 where the air leakage rate is less than 5m³/hour/m² then a ventilator equivalent to 550mm² per kW output will be required (4kW x 550mm² = 2200mm²).

COMMISSIONING

The installer should carry out the following checks and ensure that the stove is fully functional. We strongly recommend that a first firing is included in the commissioning process

1. Check all flue pipe connections
2. Check door latch mechanism
3. Check door and glass seals are all intact and secure
4. Warm chimney and check draught.
5. Instruct customer in use of stove.
6. Leave instructions for customer
7. Check that after initial firing the door seals are not stuck to the body of the stove

WARRANTY

The Slimline 30 Inset stove range is automatically covered by a 12 month warranty for safety, performance and construction. This can be extended by a further 4 year conditional warranty providing that the stove has been installed by a Hetas approved engineer or suitably signed off by local building control covering the installation of the stove and, by registering your product within 1 month of the purchase of the stove.

Under the Terms and Conditions of the extended warranty, the installation of the stove will need to both comply with the current building regulations and be installed by a qualified Hetas engineer. Furthermore, the stove must be serviced and maintained annually by a suitably qualified Hetas or chimney engineer and the certificate of installation and all records/receipts and annual servicing records will need to be provided in the event of any claim.

Please note, as is normal practice in the industry, bricks, baffles, glass, grate, log retaining fence, ashpan and rope seals are considered wearing parts requiring replacement during routine maintenance and as such are not covered under any warranty conditions.

Spare parts can be ordered through the stockist who supplied the stove or directly through ourselves.

In the event of any warranty claim then in the first instance a claim must be made with the stockist or stove dealer who supplied the stove and must follow our Terms and Conditions as set out below. It is entirely at Pevex decision whether to repair or replace any part that it considers are defective. Any repaired or replaced parts are covered only for the remaining warranty period of the stove unit.

TERMS AND CONDITIONS

Your Slimline 30 Inset stove is guaranteed against any defects providing:

1. The stove was installed according to our instructions and installation was carried out by a qualified Hetas or an appropriate Building Control Certificate of Completion was issued which must accompany any claim
2. No damage has occurred during the installation
3. The chimney has either been inspected and repaired as necessary or replaced with a suitable flue system and any high draught issues have been remedied
4. The serial number of the stove must accompany the claim
5. The stove must be kept in a continuous serviceable condition with no corrosion evident or allowed to have taken place. If older than 12 months then proof of an annual service record must be provided.
6. There has been no modifications made to the construction or internal components or incorrect service parts installed
7. The stove has not been over-fired through:
 - a. Overfilling the firebox with fuel and/or burning it continuously with fully open air sliders
 - b. Burning incorrect or prohibited fuels as mentioned on pages 4 & 5 eg., house coal, fuels containing high levels of petroleum coke, sulphur or contaminated wood (paint, varnish, creosotes etc)
8. Excessive ash when burning wood or solid fuel has been removed
9. The stove has not been allowed to slumber continuously overnight
10. The stove is not used in a damp environment
11. The stove has not been used in a commercial environment (rental property, hotel, public barn etc) where there is opportunity for the members of the public who are not familiar to the operation to misuse or abuse the safe operation of it.

LIMITATION OF WARRANTY

The warranty is not transferrable and will only stay with the original retail purchaser. Copy of the original sales receipt will need to be seen as proof of purchase. It does not cover such things as unauthorised modifications or repairs, misuse or abuse, accidental damage, illegal installations and if the stove has not been serviced every 12 months.

Pevex will not under any circumstances cover any incidental or consequential loss which includes any commercial loss, damage to any furnishings, damage to non-related products, removal/reinstallation costs, transports delay or additional transport costs or any injury to persons or property.

The Pevex warranty does not affect your statutory rights.

APPENDIX A

The Clean Air Act 1993 and Smoke Control Areas

Under the Clean Air Act local authorities may declare the whole or part of the district of the authority to be a smoke control area. It is an offence to emit smoke from a chimney of a building, from a furnace or from any fixed boiler if located in a designated smoke control area. It is also an offence to acquire an "unauthorised fuel" for use within a smoke control area unless it is used in an "exempt" appliance ("exempted" from the controls which generally apply in the smoke control area).

The Secretary of State for Environment, Food and Rural Affairs has powers under the Act to authorise smokeless fuels or exempt appliances for use in smoke control areas in England. In Scotland and Wales this power rests with Ministers in the devolved administrations for those countries. Separate legislation, the Clean Air (Northern Ireland) Order 1981, applies in Northern Ireland. Therefore it is a requirement that fuels burnt or obtained for use in smoke control areas have been "authorised" in Regulations and that appliances used to burn solid fuel in those areas (other than "authorised" fuels) have been exempted by an Order made and signed by the Secretary of State or Minister in the devolved administrations.

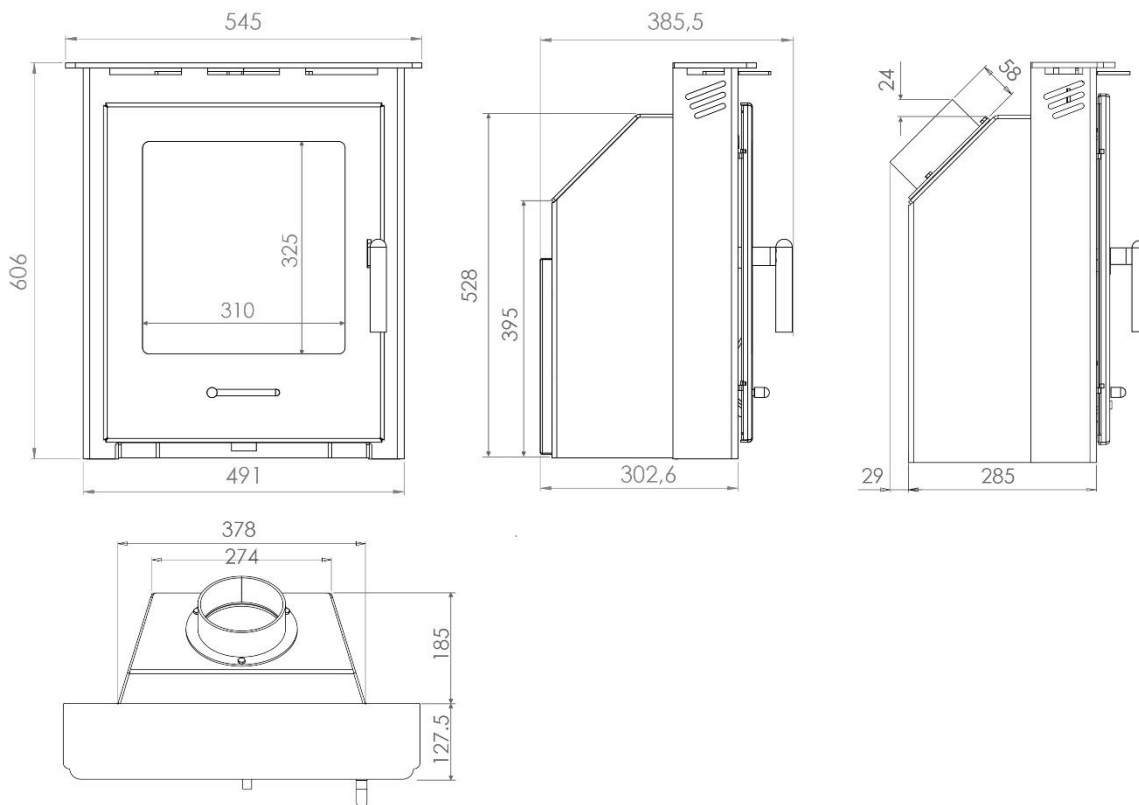
The Slimline 30 Inset Ecodesign has not been recommended as suitable for use in smoke control areas when burning wood logs. *APPLICATION PENDING*

More information on the requirements of the Clean Air Act can be found here: <http://smokecontrol.defra.gov.uk/>

Your local authority is responsible for implementing the Clean Air Act 1993 including designation and supervision of smoke control areas and you can contact them for details of Clean Air Act requirements.

APPENDIX B

TECHNICAL SPECIFICATIONS SLIMLINE 30 INSET ECODESIGN STOVE

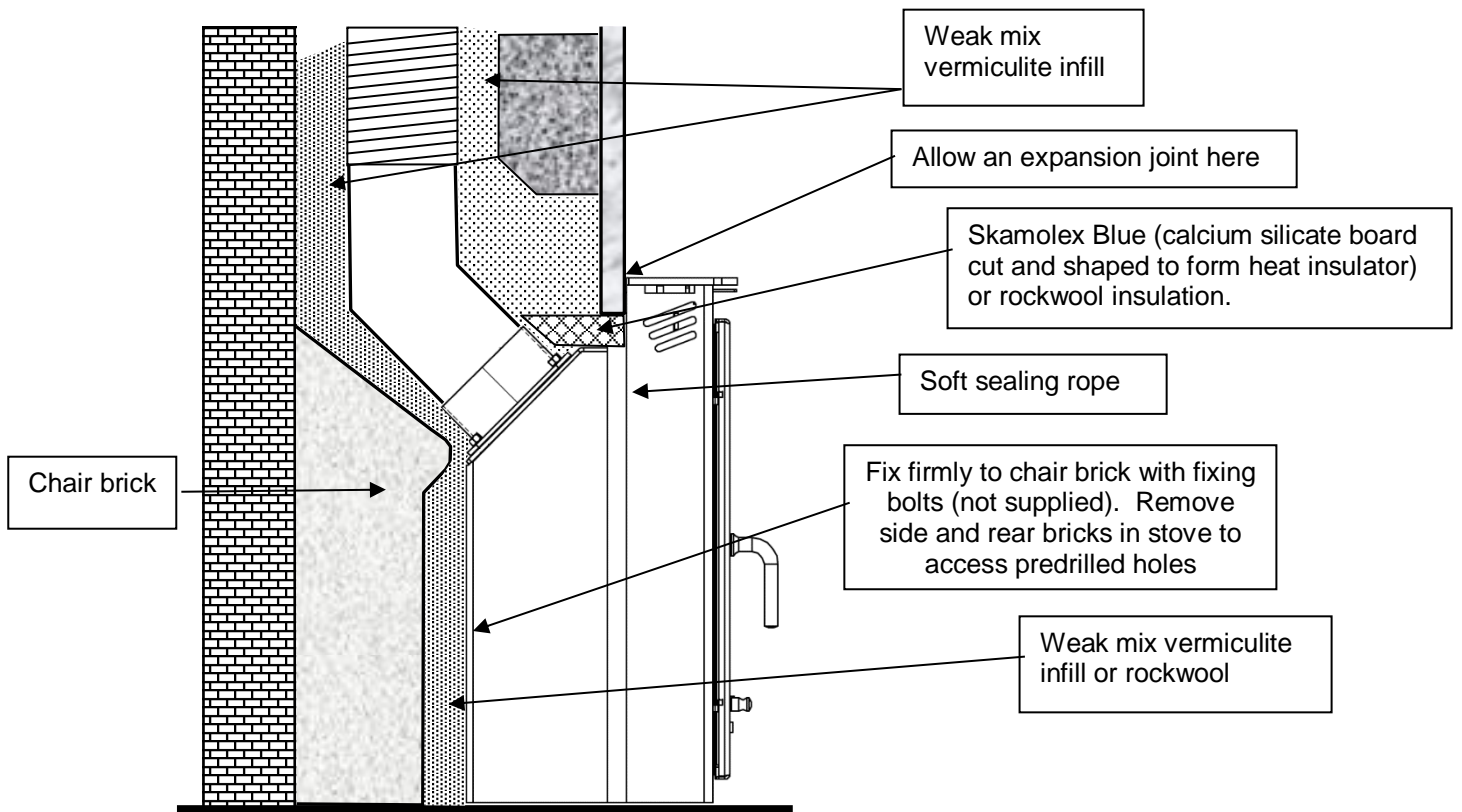


Slimline 30 Inset Ecodesign

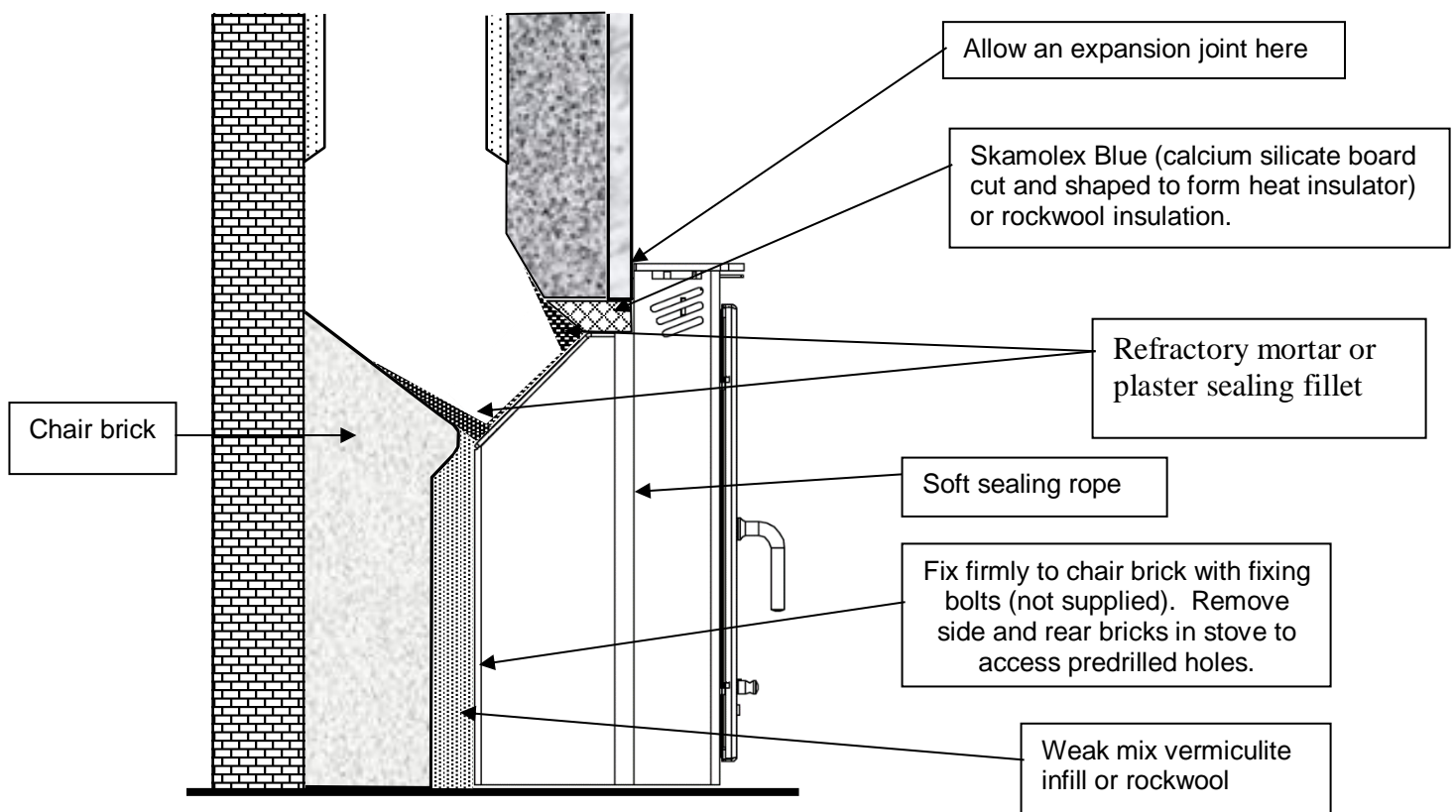
Width x max depth x height	545 x 303 x 606
Weight kg	66
Log length mm	260
Flue dia (top only) mm	128 or 150
Nominal Output kW	4.9
Efficiency (Net): Wood %	77%
Efficiency (Net): Ancit %	80.5%
Energy Efficiency Label	A
CO% @ 13% O2: Wood	0.07%

Appendix C

Illustrative guide to installing in standard fireplace showing Inset with flue pipe connection



Showing Inset with flue flaunch into flue gather connection





A World of Stoves, A World of Choice

Pevex Enterprises Ltd

Unit MP7 Kirrawah Business Park, Waldringfield, Nr Woodbridge, IP12 4PR.

Tel: 01473 736399

Fax: 01473 736406

sales@pevexstoves.co.uk

www.pevexstoves.co.uk