



# **morsø**

By appointment to the Royal Danish Court

## **Squirrel - Gas Stoves**

**Model No. 551 - With Open Flue**

**Model No. 552 - With balanced Flue**

## **OWNER'S GUIDE**



**THESE APPLIANCES ARE FOR USE WITH NATURAL GAS (G20)  
OPEN FLUE STOVE MODEL 551 IS FOR USE WITH PROPANE GAS (G31) WHEN CON-  
VERTED USING KIT NO. 0555111.  
BALANCED FLUE STOVE MODEL 552 IS FOR USE WITH PROPANE GAS (G31) WHEN  
CONVERTED USING KIT NO. 0555211.  
THESE APPLIANCES ARE SUITABLE ONLY FOR INSTALLATION IN THE UNITED KING-  
DOM (GB) AND THE REPUBLIC OF IRELAND (IE).**

We trust that these instructions give sufficient details to enable this appliance to be installed and maintained satisfactorily. However, if further information is required, our Technical Helpline will be pleased to help. Telephone 01788 554410 (National call rates apply in the United Kingdom).

This guide is intended to help you care for your gas stove. Please read thoroughly before using your gas stove and keep for future reference.

**INSTALLER: Please leave this guide with the owner**

**Manufactured by Morsø Jernstøberi A/S . DK-7900 Nykøbing Mors  
E-Mail: [stoves@morsoe.com](mailto:stoves@morsoe.com) · Website: [www.morsoe.com](http://www.morsoe.com)  
Distributed by Morsø UK, Unit 5, io Center, Valley Drive, Swift Walley,  
Rugby, Warks, CV21 1TW - [www.morsouk.com](http://www.morsouk.com)**

## **LIST OF CONTENTS**

<b>Heading</b>	<b>Page</b>
<b>SAFETY</b>	3
<b>OPERATING YOUR STOVE</b>	6
The Flame Sensing & Flue Blockage Safety System	6
To Light The Pilot	6
To Light the Main Burner	6
To Turn Off the Main Burner Only	7
To Turn Off the Main Burner and Pilot	7
<b>CLEANING YOUR STOVE</b>	8
Cast Iron Surfaces	8
Opening the Door	8
The Glass Window	8
<b>FITTING THE CERAMIC FUEL EFFECT AND BURNER COMPARTMENT WALLS</b>	9
<b>MAINTENANCE AND SERVICING</b>	12

## **Customer Care**

### **Thank you for choosing morsø.**

All morsø appliances are designed to meet the most stringent quality, performance and safety requirements to provide our customers with many years trouble-free service.

Your owner guide aims to improve your understanding and appreciation of your gas fire by providing simple and informative instructions to ensure that you benefit from the excellent performance and features it has to offer.

# SAFETY

## IF YOU SMELL GAS

**DON'T SMOKE**

**EXTINGUISH ALL NAKED FLAMES**

**DON'T TURN ELECTRICAL SWITCHES ON OR OFF**

**TURN OFF THE GAS SUPPLY AT THE METER**

**OPEN DOORS AND WINDOWS TO GET RID OF THE GAS**

**IMMEDIATELY CALL THE GAS EMERGENCY SERVICE - SEE YOUR LOCAL TELEPHONE DIRECTORY**

**Do** have the gas stove installed by a competent person. In the United Kingdom, installation must be in accordance with the latest edition of the Gas Safety (installation & use) Regulations. In the Republic of Ireland, installation must be in accordance with all national and local regulations in force.

**Do** have the chimney swept prior to installation if it was previously used for solid fuel.

**Do** have the gas stove installed in accordance with the installation instructions. On no account must the stove stand on carpets or other combustible materials. The stove must stand on a non-combustible hearth surface. The hearth material must be at least 400mm wide x 420mm deep x 12mm thick.

**Do** provide the minimum clearances shown in figure 1.

**Do** ensure that the flue terminal on the outside wall (Balanced flue model 552) is kept free from all obstructions and blockages.

**Do** always use a fireguard complying with BS 8423 for the protection of young children, the elderly or infirm. The cast iron top, front, rear and sides of this stove are considered to be working surfaces and so will become very hot when in use. Always take care when using this appliance. Such a guard is also recommended for the protection of pet animals.

**Do** wait three minutes before attempting to relight if the gas stove is switched off or the flames are extinguished for any reason. (Your gas stove is fitted with a safety device that will automatically shut off the gas supply to the gas stove, if for any reason, the flame goes out)

**Do** get advice about the suitability of any wall covering near your gas stove. Soft wall coverings (e.g. embossed vinyl, etc.) which have a raised pattern are easily affected by heat. They may, therefore, scorch or become discoloured when close to a heating appliance. Please bear this in mind whenever you are considering redecorating.

**Don't** hang clothing, towels or any other fabrics over the gas stove.

**Don't** put more loose ceramic coals on the gas stove than the number given in this guide or use any ceramic coals other than those authorised for this gas stove. Incorrect combustion could result.

**Don't** put paper or other materials into your gas stove.

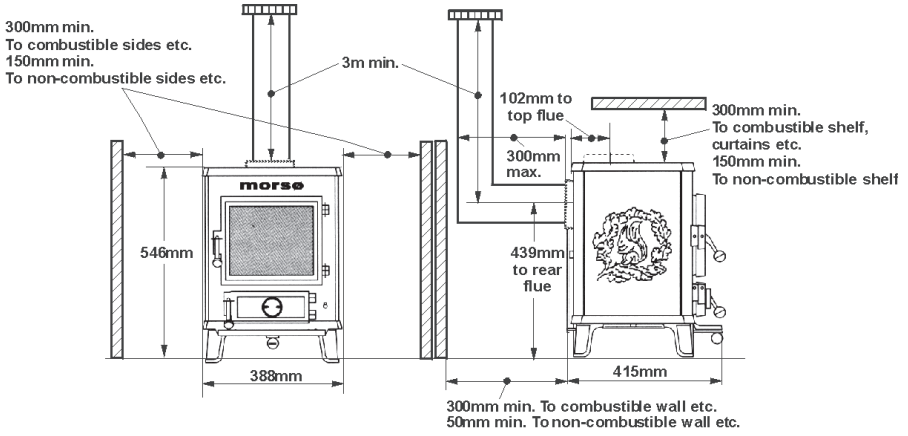
**Don't** use the gas stove with damaged base ceramics.

**Don't** place any combustible material (rugs, carpet, plastic tiles, etc.) on the hearth

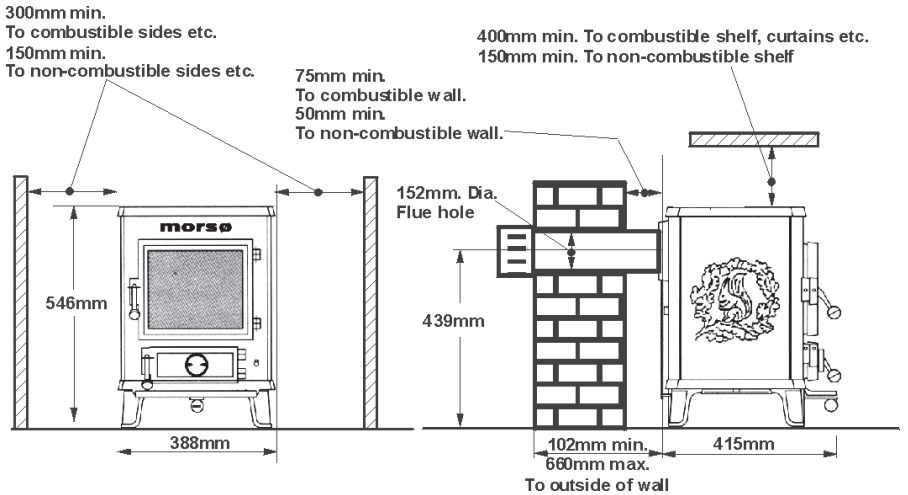
**Don't** attempt to clean or service the gas stove until it has been switched off and allowed to cool completely.

**Don't** use this stove with the door open or with the glass panel damaged or removed. The door should always be secured with the locking screw (See "Cleaning your stove"). If the window is damaged or will not close securely the fire must be turned off and not used until the window is changed or corrected by a competent service engineer.

**Don't** leave the stove on if the house is left unoccupied for a long period. We recommend that the stove is turned fully off.



**MODEL 551**



**MODEL 552**

**Figure 1**

# OPERATING YOUR STOVE

## PLEASE NOTE

When operating your stove for the first time, some vapours may be given off which may cause a slight odour and could possibly set off any smoke alarms in the immediate vicinity. These vapours are quite normal with new appliances. They are totally harmless and will disappear after a few hours use.

This fire is supplied with ceramic “coals” to simulate a real coal fire. After some use, the firebox walls and coals may change colour. This is quite normal.

### **The Flame Sensing & Flue Blockage Safety System.**

For your safety, this appliance is fitted with a flue blockage safety device that will shut down the appliance in the event of abnormal flue conditions.

### **This device is NOT a substitute for an independently mounted Carbon Monoxide detector.**

The device will also automatically shut off the gas supply to the fire if the pilot flame goes out for any reason. **If the device starts to shut off the gas frequently, get expert advice.**

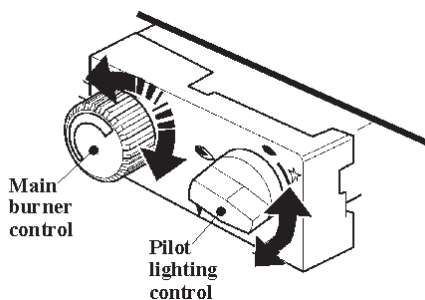
The system incorporates a probe that senses that the heat from the pilot flame is correct. If this probe is cool, the device will prevent any gas flow unless the control knob is kept depressed at the PILOT/IGN position. If, for any reason, the flames go out when the fire is hot or if the fire is turned off when hot, always **wait at least three minutes before attempting to relight.**

**Always make sure that the window is securely closed before lighting.**

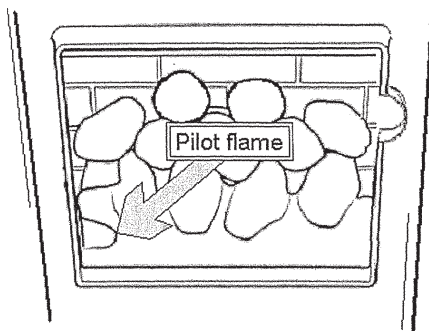
### **To Light The Pilot**

- Push in the right control knob (the pilot lighting knob) and, while keeping it depressed, turn anticlockwise through the ignition position marked and up to the pilot position marked. The spark should light the pilot. The pilot flame can be seen by looking through the gap between the coals near the front left corner of the fire bed – See figure3.
- When the pilot has lit, keep the right hand control knob depressed for a few seconds to prevent the flame supervision device from shutting off the gas supply while its probe warms up, as explained above, then release it.

- If the pilot does not remain alight turn the knob back to the off position marked ●. Wait a few seconds and repeat the lighting sequence.




**Figure 2**




**Figure 3**


### **To light the Main Burner**

- Partially depress the right control knob and turn to the main burner position marked . The main burner should now light.
- The left-hand knob is for burner flame adjustment. Turning it anticlockwise should gradually increase the flame height and heat output. Turning clockwise reduces the flame height and heat output.
- The burner flame control does not have to be re-set every time the fire is lit. Once set, it can be left at that position allowing you to use the right hand control only to ignite the burner at the set flame height.

### **To Turn Off the Main Burner Only**

- Turn the right hand control knob to the pilot position marked .

### **To Turn Off the Main Burner and Pilot**

- Turn the right hand control knob to the pilot position marked . Push the knob in at this position and turn to the off position marked ●.

# CLEANING YOUR STOVE

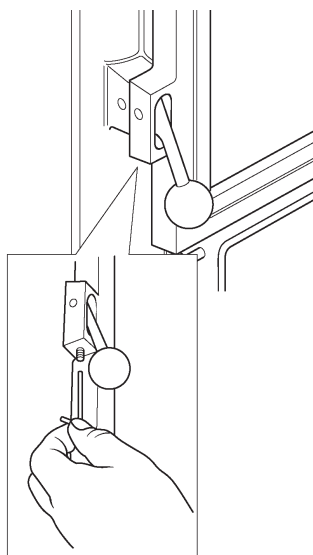
Turn the stove off and allow it to cool before attempting any cleaning. Note that it will retain heat for some time after it has been turned off.

## Cast Iron Surfaces

Regular dusting with a dry cloth is all that should normally be necessary. Any light stains should be removed with a damp cloth. Make sure that the stove surfaces are completely dry before lighting.

If the paint needs retouching, allow the stove to cool completely. Brush any areas needing attention with a wire brush (Not enamelled surfaces). Clean off any loose matter. Touch up with MORSØ high temperature stove paint. Apply the paint sparingly. Two light coats are better than one thick coat.

Figure 4



## Opening the Door

The window is secured with a locking screw. Remove the screw using the special key supplied with the stove. See figure 4. **Always secure the window with the locking screw to prevent inadvertent opening and consequent injury or damage while the stove is in use.**

## The Glass Window

Any stains on the glass can be removed with a non-abrasive cleaner such as a ceramic hob cleaner. **Never use abrasive cleaners.** Clean the window carefully in accordance with the instructions supplied with the cleaner.

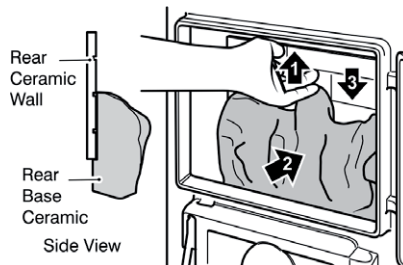


# FITTING THE CERAMIC FUEL EFFECT AND BURNER COMPARTMENT WALLS

## Ceramic fuel effect and Burner compartment Walls

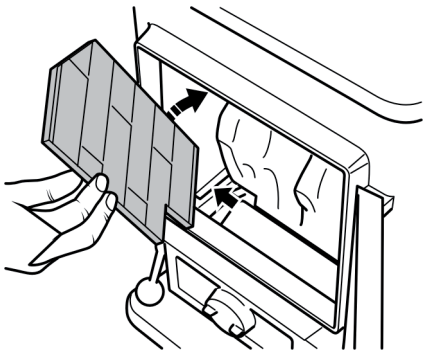
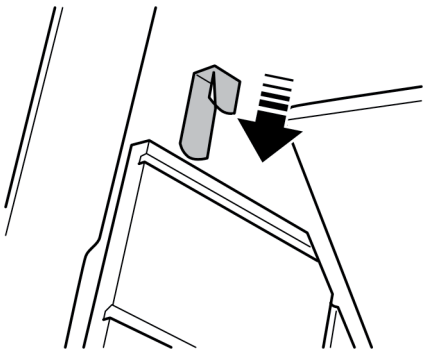
- This product uses fuel effect pieces and burner compartment rear wall containing Refractory Ceramic Fibres (RCF), which are man-made vitreous silicate fibres. Excessive exposure to this material may cause irritation to eyes, skin and respiratory tract. Consequently, it is important to take care when handling these articles to ensure that the release of dust is kept to a minimum.
- Light coatings of soot will usually be burnt off during the normal operation of the fire.
- Should any soot accumulation become excessive, the fuel effect pieces and walls should be removed from the fire for cleaning.
- Cleaning should be carried out in a well ventilated area or in the open air by gently brushing with the pieces held away from your face so that you avoid inhaling the dust.
- We suggest that you remove the coals in the reverse order to that shown in this section of the guide. When removing the fuel effect and burner compartment walls it is important that the front grate is removed before the fuel effect pieces. To do this hold the front grate firmly and lift.

1. Place the rear ceramic wall against the back of the firebox.
2. The rear ceramic wall must be located onto the ledges at the back of the rear base ceramic (See figure 5). To achieve this, hold the rear ceramic wall against the rear of the firebox at its uppermost position. Whilst holding the rear ceramic wall in this position locate the rear ceramic base coal into position (See figure 5). The rear wall can now be released. Ensure that the rear ceramic wall sits on the ledge at the back of the rear base coal.

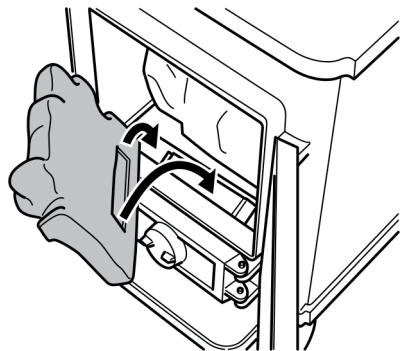


**Figure 5**

3. Fit the left hand side wall against the left hand side of the firebox. Locate the bottom of the side wall into the channel along the bottom of the firebox (See figure 6). Supplied with the stove are two ceramic retaining brackets. One for each side of the firebox. Hold the ceramic side wall against the steel firebox plate and slide the long leg of a retaining bracket behind the steel firebox plate. Push down to hold the ceramic side wall in place.
4. Fit the right hand side wall against the right hand side of the firebox. Locate the bottom of the side wall into the channel along the bottom of the firebox. Hold the ceramic side wall against the steel firebox plate and slide the long leg of a retaining bracket behind the steel firebox plate. Push down to hold the ceramic side wall in place.
5. On the front of the burner there is a bracket for supporting the front ceramic base. At the rear of the front ceramic base is a recess. Fit the front ceramic base piece locating the recess onto the forward projecting part of the burner bracket (See figure 7).



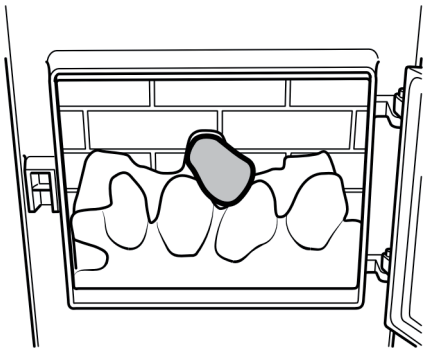
**Figure 6**



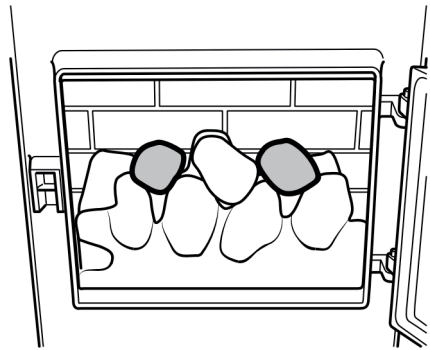
**Figure 7**

There are seven overlay coals. There are three ceramic coals identified with the number '1'. Two identified with the number '2' and two identified with the number '3'.

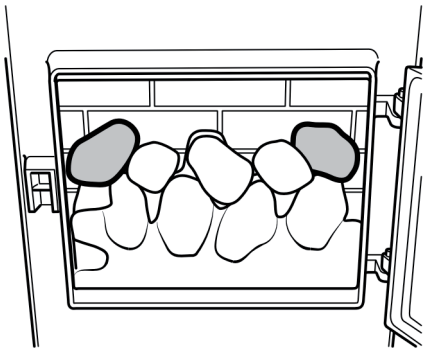
6. Locate one of the ceramic coals identified with a number '1' as in figure 8.
7. Locate the two ceramic coals identified with a number '2' as in figure 9.
8. Locate the remaining two ceramic coals identified with a number '1' as in figure 10.
9. Locate the two ceramic coals identified with a number '3' as in figure 11.
10. Replace the front grate removed previously.
11. Close and secure the door by refitting the locking screw.



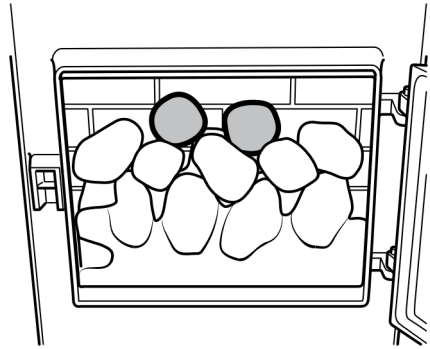
**Figure 8**



**Figure 9**



**Figure 10**



**Figure 11**

# MAINTENANCE & SERVICING

## Regular maintenance

In order to achieve and maintain high levels of personal safety and performance efficiency, it is essential that the flue is kept clear of any form of obstruction.

In the United Kingdom it is the law that a landlord must have any gas appliance, flue and pipework which is situated in a tenant's premises checked for safety at least every twelve months by a competent person (In the U.K., a CORGI registered installer).

We recommend that all gas appliances and their flues, wherever situated, are checked annually.

## Servicing

- If you require further assistance or any advice about gas in general, our service department will be pleased to help, please telephone (+44) 1788 554415.
- If you wish to replace any of the owner replaceable parts listed below, please contact your dealer or the Morso UK service department for your nearest stockist of these parts. When ordering please quote the part number shown below.

<b>Description</b>	<b>Part No.</b>
Complete set of ceramic coals	572479
Rear base coal piece	572489
Front base coal piece	572499
Bag of 5 top coal pieces	572509
Complete set of ceramic walls	572519
Ceramic rear wall only	572529
Ceramic right side wall	572539
Ceramic left side wall	572549
Allen key for window opening	572559

When fitting replacement parts, follow the instructions contained in this guide.

**It is important that only approved parts are used for maximum safety.**