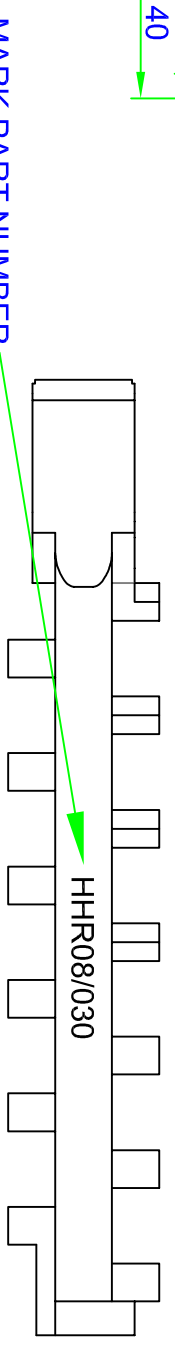
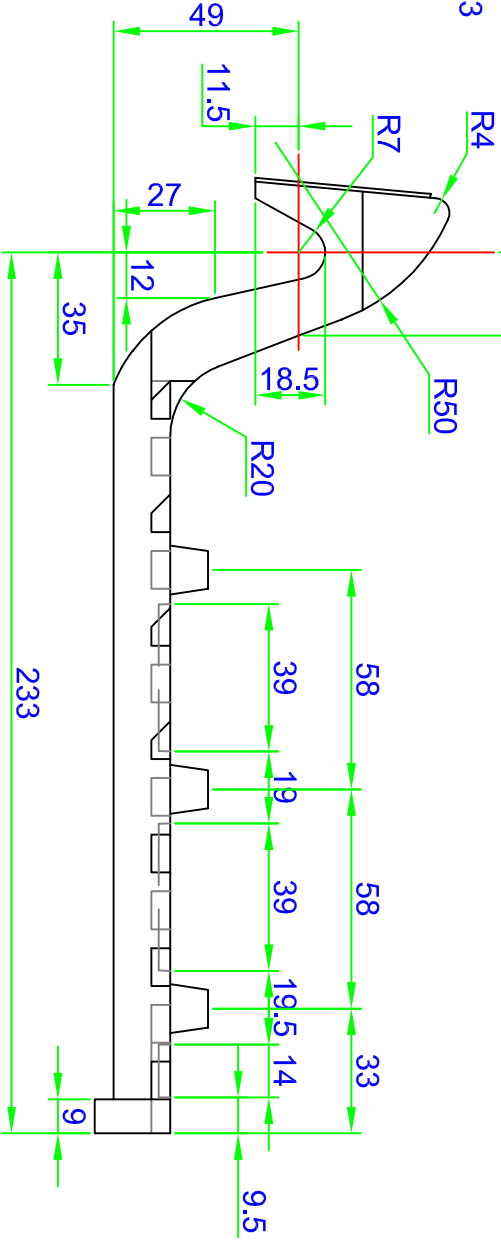
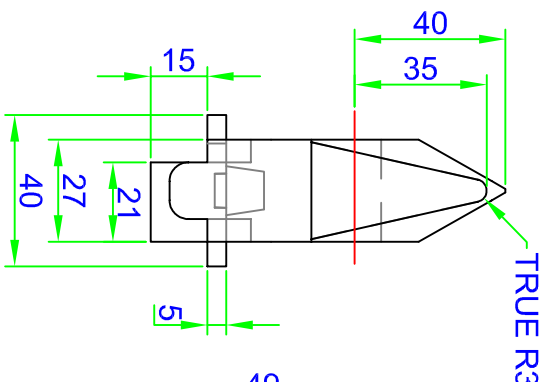
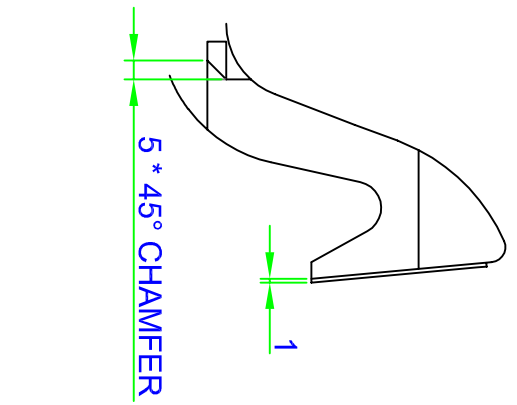
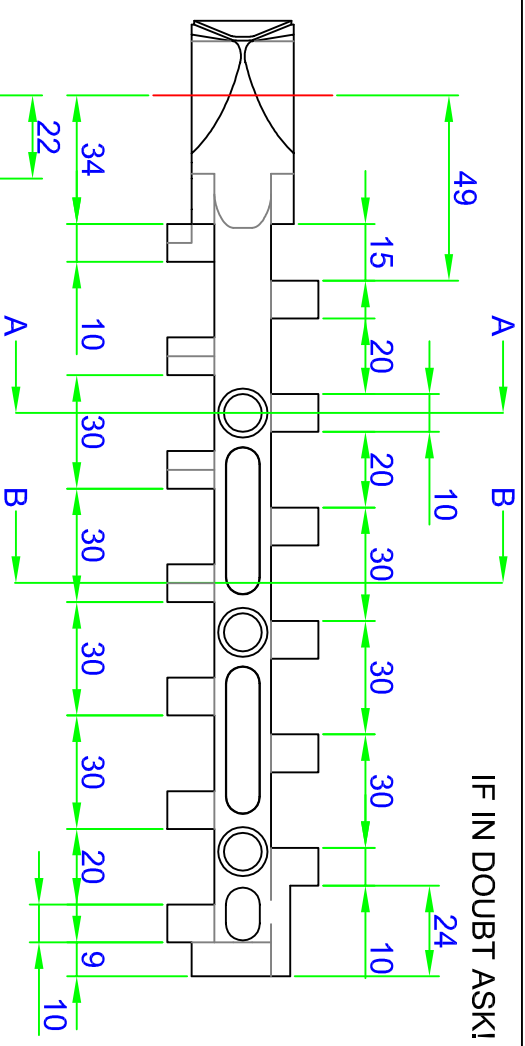
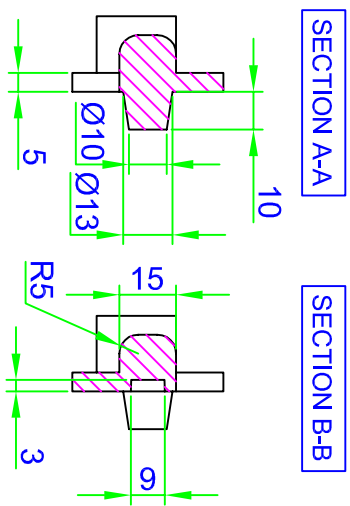


DO NOT SCALE

IF IN DOUBT ASKI



MARK PART NUMBER

ALL DIMENSIONS IN MM

D	Redesign - MM 02/10/03			HUNTER STOVES LIMITED, UNIT 6, OLD MILL IND. EST., STROKE CANON, EXETER, DEVON, EX3 4RJ Tel: 01392 841744 Fax: 01392 841382	THIS DRAWING IS THE PROPERTY OF HUNTER STOVES LIMITED AND IS PROTECTED BY COPYRIGHT. IT IS ONLY DISCLOSED ON CONDITION THAT IT WILL NOT BE COPIED OR REPRODUCED NOR USED FOR GIVING INFORMATION TO OTHERS NOR USED FOR ANY PURPOSE DETRIMENTAL TO THE INTERESTS OF HUNTER STOVES LIMITED	MACHINING TOLERANCES (UNLESS STATED) ONE DECIMAL PLACE: ± 0.1mm 1 - 100mm: ± 0.25mm 100 - 500mm: ± 0.4mm ABOVE 500mm: ± 0.75mm SPECIFICATION AND SYMBOLS TO BS 308 TAPPED HOLES OR THREADS - ISO MFD. FIT ALL SHARP CORNERS TO BE REMOVED	MATERIAL:	CST	TITLE: HERALD 8 Grate Bar - Upper
C	12mm was 21MM 08/12/00						DRAWN:	SNC	
B	Mod to suit new pattern 23/06/97						CHECKED:		
A	NEW DRAWING						SCALE:	1:2	
ISSUE	DESCRIPTION			DATE:	27/04/1997				DRAWING No. HHR08/030