



Instructions for the
Installation & Operation of

HUNTER HERALD STOVE



Please hand these instructions to the stove user when the installation is complete. leave the system ready for operation and instruct the user in the correct use of the appliance & operation of controls.

PLEASE READ THESE INSTRUCTIONS CAREFULLY

It is important that your stove is correctly installed as Hunter Stoves Limited cannot accept responsibility for any fault arising through incorrect installation.

HERALD STOVE ASSEMBLY

Flue Collar

Place the flue collar on the top or rear outlet as required, and secure to the four locating tabs inside the flue outlet using the 6mm nuts & bolts supplied.

Blanking Plate

The Blanking plate is also fixed to the locating tabs using the 6mm nuts & bolts supplied.

Throat Plate

The throat plate is supported in the stove via the brick retaining bracket directly below the outlet in the back plate and the support bars on either side.

Firebricks - Herald 8

Woodburner:-

There are 5 firebricks against the back of the firebox, in an upright position so that one end rests on the floor of the firebox, and the other end is held under the brick clamping bar.

Multifuel:-

The rear brick is factory fitted.
The side bricks rest on the floor of the stove and are held in position by the grate bars.

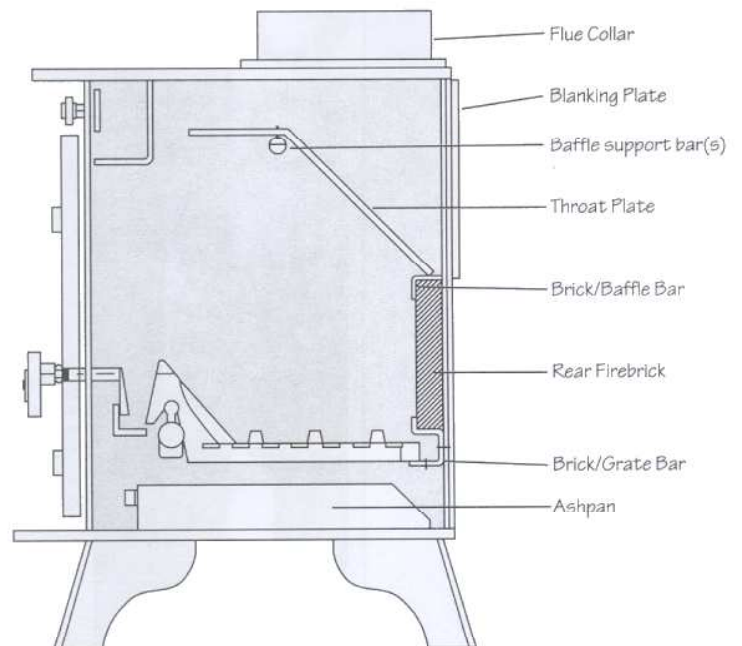
Firebricks - Herald 14

Woodburner:-

The rear brick sits against the back of the firebox, so that one end rests on the floor of the firebox, and the other end is held under the brick baffle bar. The side bricks are held in position by the rear brick.

Multifuel:-

The rear brick is factory fitted.
The side bricks rest on/behind the multifuel side plate which themselves are held in position by the grate bars.



HUNTER HERALD

INSTALLATION

Check that the chimney is in good condition, dry, free from cracks and obstructions. The diameter of the flue should not be less than 150mm and not more than 230mm. If any of these requirements are not met, the chimney should be lined by a suitable method.

The chimney height and the position of the chimney terminal should conform to Building Regulations.

A flue draught of minimum 1.5mm to a maximum 2.5mm water gauge is required for satisfactory appliance performance. The flue draught should be checked under fire at high output and if it exceeds the recommended maximum, a draught stabiliser must be fitted so that the rate of burning can be controlled, and to prevent overfiring.

If you have any doubts about the suitability of your chimney, consult your local dealer/stockist.

The chimney must be swept before connection to the stove.

An existing fireplace opening can be bricked up or sealed with a register plate. A short length of flue pipe of a minimum 152mm internal diameter may then be used to connect the stove to the chimney. This flue pipe should be of cast iron, 316 grade stainless steel or vitreous enamelled, nominal thickness 1.2mm. Ensure that the pipe end is no closer than 76mm to the side or rear chimney walls.

Ideally, the old fireplace should be filled in so that there is a smooth streamlined entry into the flueway.

The length of any horizontal run of flue pipe must not exceed the flue outlet diameter on the stove - 152mm

It is essential that all connections between the stove and chimney-flue are sealed and made airtight.

Both the chimney and flue pipe must be accessible for cleaning and if ALL parts of the chimney cannot be reached through the stove, a soot door must be fitted in a suitable position to enable this to be done.

The stove can be recessed in a suitable sized fireplace but a permanent free air gap must be left around the sides and top to obtain maximum heat output and for access to the rear of the stove. There should not be any combustible material within a distance of 900mm from any surface of the stove. In all instances the stove should be positioned on an incombustible hearth. Allow an apron of at least 300mm at the front of the stove and 150mm on either side. The hearth on which the stove is to be placed should not be less than 125mm thick if the floor is made of combustible material, and care should be taken to level the stove.

Upon completion of installation, the appliance should be checked under fire for soundness of joints and seals, and also that all smoke and fumes are taken from the appliance, up the chimney and emitted safely.

Care should be taken that all flues, hearths, and combustion air supplies are in accordance with the current Building Regulations, Local Authority Bye-Laws, British Standards and Codes of Practice.

OPERATING INSTRUCTIONS

AIR CONTROLS

This stove has been designed to burn cleaner and more efficiently than a conventional wood burning stove. If used correctly this stove will burn far more efficiently than normal with the obvious notable feature CLEAN GLASS.

However, for this product to work properly it must be used correctly.

Primary Air

Primary air is controlled via the sliders in the bottom of the doors, this provides a conventional air draught to the bed of the fire.

Secondary Air

Secondary air is controlled via the slider above the doors, it is this "airwash" that keeps a clean and uninterrupted view of the fire, also aiding in good secondary combustion of the fuel and reducing emissions into the chimney and environment.

Damper Assembly (optional)

When burning wood, the flue damper assembly may be fitted. When the damper is set in the open position (pin pointing to "O") the chimney draws at full draught, increasing the volume of air flow through the stove and flue. Shutting the damper (pin pointing to "I") restricts the flow, slowing the rate of burning.

THE FLUE DAMPER SHOULD NOT BE FITTED
WHEN BURNING SOLID FUELS

MULTIFUEL GRATE

Your Hunter Herald is fitted with a locomotive type grate, and so that de-ashing can be carried out cleanly and easily, it is riddled from the outside of the stove with the doors closed. The grate is designed to burn both wood and solid fuels.

To burn solid fuels, place the operating tool over the riddling spigot and pull it down towards you. When left in that position, air is directed under and up through the slots in the firebed, giving the optimum conditions for burning solid fuels.

It is important that the riddler is used to remove the ash to ensure an airflow through the firebed and allow the fire to burn over the entire area of the grate. The ashpan should be emptied at least daily and ash should never be allowed to build up over a period of time as this will result in damage to the firebars.

To burn wood, push the operating tool up and away from you. When left in this position, air is directed through the slots now formed behind the door, and not through the firebed, which now provides a solid base to build up a bed of ash. Surplus ash can be removed either by gentle riddling or with a shovel.

It might prove beneficial when burning more reactive fuels such as household coal to leave the grate in a "neutral" position, thus directing some underfire air and some overfire air to the firebed.

HUNTER HERALD

Notes on woodburning

Wood burns best on a bed of ash and it is therefore only necessary to remove surplus ash from the stove occasionally.

Burn only dry, well seasoned wood, which should have been cut, split and stacked for at least 12 months, with free air movement around the sides of the stack to enable it to dry out. Burning wet or unseasoned wood will create tar deposits in the stove and chimney and will not produce a satisfactory heat output.

Notes on solid fuel burning

Always de-ash before refuelling and do not let the ash build up to the underside of the grate bars. Solid fuel produces ash, which if allowed to build up will stifle the air flow through the grate and eventually cause the fire to die.

With some solid fuels a residue of burnt fuel or clinker will accumulate on the grate, allow the fire to go out periodically to remove this.

We cannot stress firmly enough how important it is to empty the ashpan regularly. Air passing through the firebed cools the grate bars. Distortion or burning out of the grate bars is nearly always caused by ash being allowed to build up to the underside of the grate.

Lighting the Stove

We recommend that you have two or three small fires before you operate your stove to its maximum heat output. This is to allow the paint to cure in steadily and to give a long service life of the paint finish. During this curing in process you may notice an unpleasant smell. It is non toxic, but for your comfort we would suggest that during this period you leave all doors and windows open.

First, load the fire with starting fuel i.e. paper, dry sticks and/or fire lighters in the mode chosen, either wood or coal.

Light the fire at base leaving all air controls open. Allow the fuel to reach a steady glow and build the fire up gradually. Once you have a good fire established across the grate bed, further fuel can be added as required.

When your fuel is well alight you can start to restrict the primary air intake. If you are burning only wood, the primary air control can be fully closed. If you are burning solid fuel you will require more primary air.

The stove can be banked up for long periods. When burning solid fuel empty the ashpan. Open air controls and let the fire burn brightly for a short period. Refuel and close air controls, the exact setting required will depend on the fuel used and the chimney draw so some practice may be necessary. To revive the fire, open air controls until the fire is burning brightly, de-ash if necessary (solid fuel only) and refuel. Set air controls as required.

SOLID FUELS

We recommend the majority of approved manufactured smokeless fuels.

Household coal, which is a "smokey" fuel, can also be used but note that different types will give different performances.

PETROLEUM COKE FUELS OR HOUSEHOLD WASTE SHOULD NOT BE BURNT ON THIS APPLIANCE.

Should any difficulties arise over fuel quality or suitability, consult your local supplier or the Solid Fuel Advisory Service

Safety notes for your guidance

FIRES CAN BE DANGEROUS - Always use a fireguard in the presence of children, the elderly or the infirm.

DO NOT OVERFIRE - it is possible to fire the stove beyond its design capacity, this could damage the stove, so watch for signs of overfiring - if any part of the stove starts to glow red, the fire is in an overfire situation, and the controls should be adjusted accordingly. Never leave the stove unattended for long periods without first adjusting the controls to a safe setting - careful air supply control should be exercised at all times.

WARNING - FUME EMISSION

Properly installed and operated, this appliance will not emit fumes. Occasional fumes from de-ashing and refuelling may occur. Persistent fume emission must not be tolerated.

If fume emission does persist, then the following immediate action should be taken:-

1. Open doors and windows to ventilate room.
2. Let the fire out, or eject and safely dispose of fuel from the appliance.
3. Check for flue chimney blockage, and clean if required.
4. Do not attempt to relight the fire until the cause has been identified.
If necessary, seek professional advice.

DO NOT FIT AN EXTRACTOR FAN IN THE SAME ROOM AS THIS APPLIANCE

GENERAL MAINTENANCE

Throat Plate

This should be removed at least once a month to prevent any build up of soot or fly ash which could lead to blocked flueways and dangerous fume emission.

If the throat plate is removed the chimney/flue way can be swept through the appliance

Firebricks

In normal use, these can last for many years. It is possible however to crack them if logs are continually jammed against them or if they are frequently struck with a poker.

Check periodically for seriously cracked bricks which can be replaced with new.

Stove Body

The stove is finished with a heat resistant paint and this can be cleaned with a soft brush. Do not clean whilst the stove is hot. wait until it has cooled down. The finish can be renovated with a suitable brand of paint.

Doors

Should the doors require adjustment to maintain their seal, each hinge is adjustable. By slackening the locking bolt on the hinge, the doors can be moved in three dimensions aided by the addition or subtraction of shims behind the hinge assembly.

Glass Panels

Clean the glass panels when cool with a proprietary glass cleaner. Highly abrasive substances should be avoided as these can scratch the glass and make subsequent cleaning more difficult. Wet logs on heated glass, a badly aimed poker or heavy slamming of the doors could crack the glass panels. The glass will not fracture from heat.

Chimney

Check your chimney each year before starting to use your stove for the winter. Birds may have nested in the chimney or the masonry may have cracked. Both the chimney & flue pipe must be swept at least once a year.

SPARE PARTS LIST

DESCRIPTION	CODE HERALD 8	CODE HERALD 14
10mm Sealing Rope	10SR	10SR
6mm Sealing Rope	6SR	6SR
Door - Left Hand	HHR08021	HHR08021
Door - Right Hand	HHR08020	HHR08020
Door Knob - Cast	HFR07028C	HFR07028C
Door Knob - Brass	HFR07028B	HFR07028B
Glass Panel	HHR08047	HHR08047
Glass Clip & Screw	HHR08046	HHR08046
Fan Catch & Nut	HHR08018	HHR08018
Door Slider	HHR08022	HHR08022
Door Hinge	HHR08041	HHR14031
Air Slider Knob - Steel	HHR08045S	HHR08045S
Air Slider Knob - Brass	HHR08045B	HHR08045B
Flue Collar	HHR08023	HHR08023
Blanking Plate	HHR08024	HHR08024
Grate Bar Low / Thick	HHR08029	HHR14014
Grate Bar High / Thin	HHR08030	HHR14015
Cam Bar	HHR08008	HHR14006
Ashpan	HHR08032	HHR14032
Rear Firebrick (Multifuel)	HHR08015	HHR14010
Side Firebrick (Multifuel)	HHR08016	HHR14011
Rear Firebrick (Woodburner)	HHR08016	HHR14034
Side firebrick (Woodburner)	N/A	HHR14035
Front Log Guard (Woodburner)	HHR08019	HHR08019
Operating / Riddling Tool	HFR07040	HFR07040
Side Plate / Brick Support	N/A	HHR14027
Top Brick Bar	HHR08010	HHR08010
Brick / Grate Bar	HHR08009	HHR08009
Airwash Slider	HHR08027	HHR08027
Airwash Duct	HHR08026	HHR14013
Catch Bar	HHR08017	HHR14036
Throat Plate	HHR08011	HHR14007



Hunter Stoves Limited • Unit 6 • Old Mill Industrial Estate
 Stoke Canon • Devon • EX5 4RJ
 Telephone 01392•841744 Fax 01392•841382

HUNTER HERALD