



Fire Your Imagination

Riva2 & Studio

Electric Inset Range



Instructions for Use, Installation & Servicing

For use in GB & IE (Great Britain & Republic of Ireland).



IMPORTANT

THE OUTER CASING, FRONT AND GLASS PANEL BECOME EXTREMELY HOT DURING OPERATION AND WILL RESULT IN SERIOUS INJURY AND BURNS IF TOUCHED. IT IS THEREFORE RECOMMENDED THAT A FIREGUARD COMPLYING WITH BS 8423:2002 IS USED IN THE PRESENCE OF YOUNG CHILDREN, THE ELDERLY OR INFIRM.

For use with 230v 50Hz electricity supply only.

Please read these instructions carefully before installation and keep them in a safe place.

They will be needed when maintenance or servicing is required.

THIS APPLIANCE MUST BE EARTHED

Contents

Covering the following models:

Riva2		Studio Inset		
55	70	80	105	150
234-016	234-209	223-378	223-136	233-044

User Instructions.....3

1. Important Information & Health and Safety.....3
2. Operating Instructions.....3
3. Maintenance.....5

Installation Instructions.....6

- Technical Specifications 6
Appliance Dimensions..... 7

Installation.....8

1. General..... 8
2. Fitting the Appliance..... 8
3. Connecting to the Mains Supply 9

Servicing 10

1. General Requirements 10
2. Fault Finding..... 10
3. How to Wire a Plug 11
4. Servicing Requirements 12
5. Cleaning 12
6. Removing the Glass..... 12
7. Resetting Remote Frequency 13

Servicing - Replacing Parts.....15

1. General..... 15
2. Replacing the LED Assembly..... 15
3. Replacing the Silk Assembly 15
4. Replacing the Heater Unit..... 16
5. Replacing the Effect Fan Assembly 16

Spare Parts List.....17




Registration No WEE/DH1656ZW
In accordance with European Directive 2002/96/EC, waste electrical and electronic equipment (WEEE) must not be disposed of with household waste.

At the end of its useful life please take this product to an appropriate recycling centre or collection point. You can find your nearest recycling centre by using the bank locator at www.recycle-more.co.uk for UK customers, www.weeeireland.ie for customers in the Republic of Ireland, or by contacting your local authority.

This product is guaranteed for 2 years from the date of installation, as set out in the terms and conditions of sale between Gazco and your local Gazco dealer. **This guarantee will be invalid, to the extent permitted by law, if the appliance has not been installed and operated as detailed in the Installation and User Instructions.** The guarantee will only be valid during the second year, to the extent permitted by law, if the appliance has been regularly maintained by the customer as detailed in the maintenance section of the Installation and User Instructions.

User Instructions

1. Important Information and Health and Safety

- 1.1 **Read all of the instructions carefully before using the appliance.**
- 1.2 **Remove all packaging and dispose of at an appropriate recycling facility.**
- 1.3 Do not locate this appliance immediately below a fixed socket outlet.
- 1.4 The glass panel on this appliance is considered by the manufacturer to be a working surface which becomes warm when the heater is switched on. You must use a suitable fire guard to protect children, the elderly and the infirm.
- 1.5 Do not use this appliance in the immediate surroundings of a bath, shower, swimming pool or any other area where the appliance could come into contact with water or humidity, e.g. a bathroom.
- 1.6  **WARNING! DO NOT COVER**
Do not allow the appliance to be covered or let the air inlet/outlet become obstructed as the appliance may overheat. Please note the warning symbol on the appliance (see above).
- 1.7 **For indoor use only.** This appliance is not suitable for use outside the house.
- 1.8 Keep the power cord away from hot surfaces and hot conditions. Do not route the power lead in front of the appliance.
- 1.9 This appliance must be firmly fixed to a flat internal wall. Ensure that furniture, curtains etc. are positioned no closer than 1m to the front of the appliance.
- 1.10 When the fire has been installed the position of the plug must be accessible.
- 1.11 Where the electricity supply cable has to pass through a fire place, stone surround etc. ensure suitable rubber bushes are fitted at possible wear points.
- 1.12 If the electricity supply cable is damaged do not use the appliance until it has been replaced. For safety reasons the replacement has to be carried out by a Gazco service agent or a similarly competent electrician.
- 1.13 Do not use this appliance with any kind of timer, programmer or thermal control or other device that will switch the appliance on or off automatically.
- 1.14 Do not operate the appliance if it is damaged.
- 1.15 Repairs of electrical appliances must only be performed by an electrical engineer. Should the appliance fail to operate, or in case of any damage, please contact the retailer from whom the appliance was purchased.
- 1.16 **Never leave the heater unattended while it is in use.** Always switch the product to the OFF position using the isolation switch when leaving the appliance for a period of time.

- 1.17 **This appliance is not intended to be used by persons under the age of 12, persons with reduced physical, sensory or mental capabilities or persons with lack of experience and knowledge in the safe operation of the appliance.**
The appliance may be operated by persons above the age of 12 provided they have been instructed in the safe use of the appliance and that they understand the hazards involved. Persons above the age of 12 may also operate the appliance under the supervision of a responsible adult.
- 1.18 Parts of this appliance become hot whilst in operation and under no circumstances should persons under the age of 12 be left alone with the product when it is in operation unless a suitable fireguard is used to protect them against the possibility of coming into direct contact with the appliance.

2. Operating Instructions



WARNING! Do not operate the appliance if it is damaged or has malfunctioned. If you suspect the appliance is damaged or has malfunctioned call a qualified service engineer to inspect the appliance, and replace any part of the electrical system if necessary, before reuse.

Do Not disconnect the power at the mains supply whilst the appliance is running. Use the functions on the remote to turn the fire off and ensure the isolation switch has been moved to the off position before disconnecting.

GENERAL

- 2.1 The appliance can be operated by the radio frequency handset only.

PREPARATION BEFORE USE

Battery:

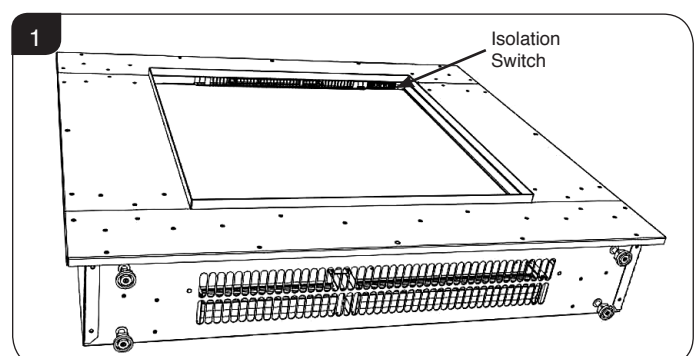
- 2.2 Ensure that the handset battery is new and inserted correctly.
- 2.3 Dispose of old battery at an appropriate recycling facility.

When using the handset:

- 2.4 Ensure the handset is pointed at the appliance.

LOCATION OF POWER SWITCH

- 2.5 The isolation switch is located on the top right hand side of the window of the appliance, see Diagram 1.

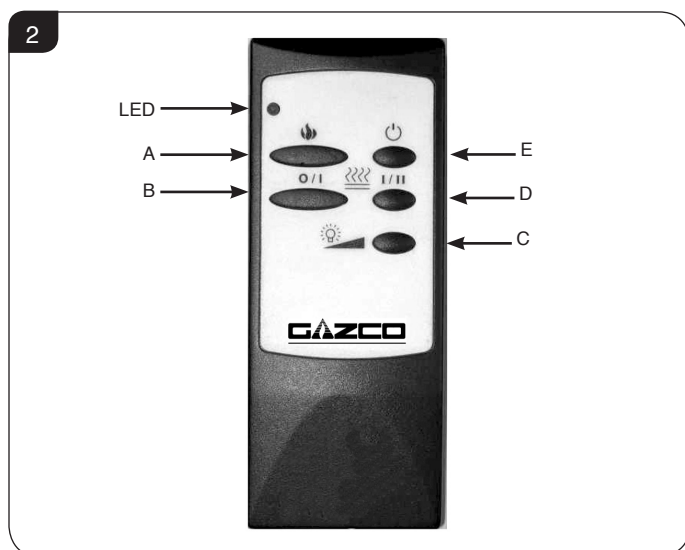


User Instructions

- 2.6 Move the switch to ON (—). Now the appliance can be operated by the remote.
- 2.7 For periods of non use set the isolation switch to OFF (O).

Remote Operation

- 2.8 The following functions can be controlled using the remote handset:
 - On/Off - Flame effect
 - Heat settings 1kW and 2kW
 - Brightness of the fuel and flame effect
- 2.9 The flame effect can be turned off using the remote, returning the appliance to Standby.



Standby On/Off

- 2.10 The appliance is in Standby mode when the power is switched on via the isolation switch. You must have this power supply ON (—) before using the remote control.

Turning On the Appliance

Flame Effects:

- 2.11 Pressing button A, switches on the flame effect. Please note with every press of any button on the key pad, the red LED will light to confirm each setting.
- 2.12 To switch the appliance to standby first turn the heater off (Button D to return to 1kW, then Button B to switch the heater off). You can then turn the appliance off using Button E.
- 2.13 To re-start the appliance, again use A, providing the isolation switch has not been set to the off position.

Turning of the Heat:

- 2.14 To switch on the heating element the flame effect must be running, then press button B:
The 1 kW heat setting is now functioning.
To increase the heat setting to 2 kW, press button D.
- 2.15 To decrease the heat setting from 2 kW back to 1 kW, again press button D.
- 2.16 Pressing button D, allows the user to toggle between the two heat settings.
If no heat is required, press button B.
- 2.17 Press the On/Off (Button E) to turn off **ALL** settings and return to Standby.
- 2.18 **The appliance should be turned off via the Isolation switch when it is not in use.**

The Variable Flame Effect

- 2.19 This appliance is equipped with a variable flame effect. This enables you to control the brightness and appearance of the flame effect display.
When the appliance is first switched on, (button A) the brightness is automatically set to the factory default setting of 70% brightness.
- 2.20 By pressing button C, the flame effect begins to cycle from light to dark in appearance, this will continue on a loop until the same button is pressed again.
Pressing this button (C) at any time within the loop, a user setting for brightness can be established.

Please note the heat settings will only work with the flame effect in operation.

The flame effect can be used without the heater in operation.

Signal Code

The remote control works by radio signal.
The handheld transmitter is configured in the factory with a unique signal code.

IMPORTANT: If your handset loses signal or needs to be replaced then the frequency will need to be reprogrammed. See Section 7 in Servicing Section for details.

Thermal Safety Cut Out

The appliance is fitted with a thermal safety cutout, which operates if it overheats. If this happens:

- 2.21 Unplug the appliance and allow it to cool for 5 - 10 minutes.
- 2.22 Check the air inlets/outlets for any obstruction and clear if necessary (see **Maintenance**, Section 3.5).
- 2.22 Plug in appliance and switch it on. The cutout will re-set and the appliance should function correctly. If this is not the case:

- 2.24 Unplug once more and have the fire checked by a competent electrician.

3. Maintenance

IT IS VERY IMPORTANT THAT THE AIR INLET GRILLES ON THE UNDERSIDE OF THE APPLIANCE ARE UNOBSTRUCTED AND ADEQUATE SPACE IS LEFT TO ALLOW FREE CIRCULATION OF AIR AROUND THIS AREA.

- 3.1 **ALWAYS UNPLUG FROM MAINS SUPPLY BEFORE CLEANING OR UNDERTAKING ANY MAINTENANCE**

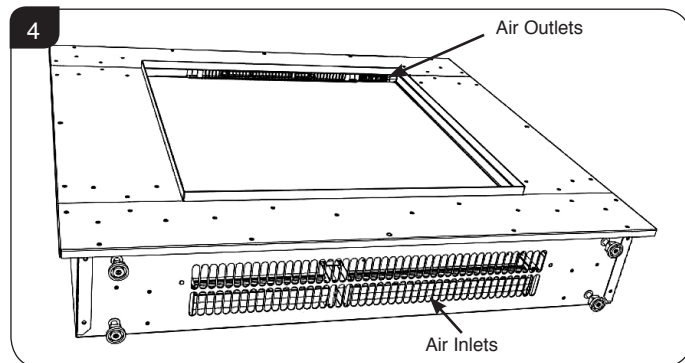
GENERAL CLEANING

- 3.2 Only clean the glass panel when it is cold. Do not use abrasive cleaners.
- 3.3 Use a proprietary non abrasive glass cleaner and buff to a clear finish with a lint free duster.

Caution: Do not use abrasive cleaners on the glass panel. Do not spray liquids directly onto any surface of the unit.

CLEANING AIR OUTLETS

- 3.4 Ensure the appliance is unplugged.
- 3.5 Clean the air outlet grilles regularly with a soft cloth or the nozzle of a vacuum cleaner, see Diagram 4.



Dust build-up can inhibit efficient performance of the fan and lead to the safety cut-out operating.

- 3.6 Keep the area around the appliance clean and free of fluff, dust or pet hair.
- 3.7 In particular, build-up of dust etc. can occur around the heater area. Take particular care to keep this area free from such particles on a regular basis to prevent build-up.

BATTERY REPLACEMENT

- 3.8 When the remote battery is low it must be changed immediately. Install correct replacement and dispose of the old battery carefully.

Note: If the appliance is to be left for a long period of time ensure it is switched off and the power cord unplugged.

Installation Instructions

Technical Specification

Covering the following models:

Riva2		Studio Inset		
55	70	80	105	150
234-016	234-209	223-378	223-136	233-044

Model	Riva2 Electric		Studio Electric Inset			
	55	70	80	105	150	
Weight - kg (without surround or packaging)	32	40	33	40	50	
Voltage	220/240V / 50Hz	220/240V / 50Hz	220/240V / 50Hz	220/240V / 50Hz	220/240V / 50Hz	
Battery Hand Transmitter	12 V MN 21/23	12 V MN 21/23	12 V MN 21/23	12 V MN 21/23	12 V MN 21/23	
Electricity Consumption	Decorative Position	13 Watt	15 Watt	25 Watt	35 Watt	50 Watt
	Heating element	1000 Watt	2000 Watt	2000 Watt	2000 Watt	2000 Watt
Supply Cord	BS1363 UK13A	BS1363 UK13A	BS1363 UK13A	BS1363 UK13A	BS1363 UK13A	

THIS APPLIANCE MUST BE EARTHED

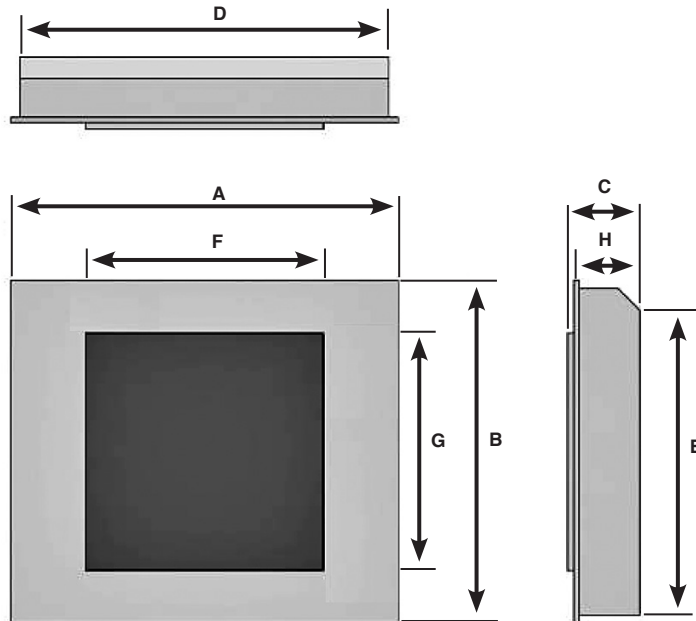
This appliance has been certified for use in countries other than those stated. To install this appliance in these countries, it is essential to obtain the translated instructions and in some cases the appliance will require modification. Contact Gazco for further information.

Appliance Description	Fixing Kit containing:-
Riva2 Electric 2 55	1 x Instruction Manual
Riva2 Electric 2 70	4 x Screws
Studio Electric Inset 80	4 x Rawl plugs
Studio Electric Inset 100	1 x Handset
Studio Electric Inset 150	2 x Retention screws
	1 x Battery

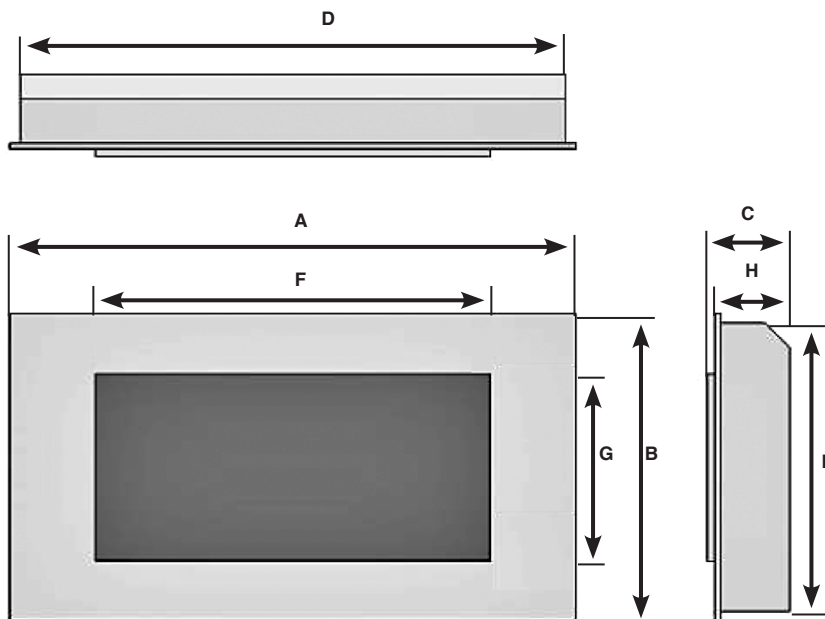
Installation Instructions

Technical Specification

RIVA 2 ELECTRIC



STUDIO ELECTRIC INSET



Model	A	B	C	D	E	F	G	H
Riva2 Electric 55	895	792	167	852	755	550	550	152
Riva2 Electric 70	1045	902	167	1002	865	700	650	152
Studio Electric Inset 80	1145	622	167	1102	585	800	380	152
Studio Electric Inset 105	1460	622	167	1417	585	1050	380	152
Studio Electric Inset 150	1877	622	167	1834	585	1500	380	152

Installation Instructions

1. General



IT IS VERY IMPORTANT THAT THE AIR INLET GRILLES ON THE UNDERSIDE OF THE APPLIANCE ARE UNOBSTRUCTED AND ADEQUATE SPACE IS LEFT TO ALLOW FREE CIRCULATION OF AIR AROUND THIS AREA.

1.1 TOOLS REQUIRED

A Screw Driver, Spirit Level and Drill will be needed.

1.2 UNPACKING THE FIREPLACE

WARNING! DO NOT use this appliance if any part has been exposed to water.

Immediately call a qualified service technician to inspect and to replace any part of the electrical system if necessary.

- 1.3 Carefully unpack the appliance. Take care not to damage the surface of the appliance or the installation area. Keep plastic wrapping away from children. Be responsible when handling the packing materials.
- 1.4 Check all parts and accessories are removed before disposing of any packaging. If necessary keep the original packaging for future transport and/or storage.

2. Fitting the Appliance

Take care when lifting the appliance, obtain assistance if required and always follow safe manual handling techniques.

There are two methods of installation:

- 1) **Riva2 Electric 55 & 70** - installation into a mantel piece or surround.
- 2) **All Models** - installation using 'Hidden Door' concept.

When in doubt consult your retailer or suitably qualified person.

2.1 Locating The Appliance

Your new appliance may be installed virtually anywhere in your home. However, when choosing a location ensure that the general instructions are followed.

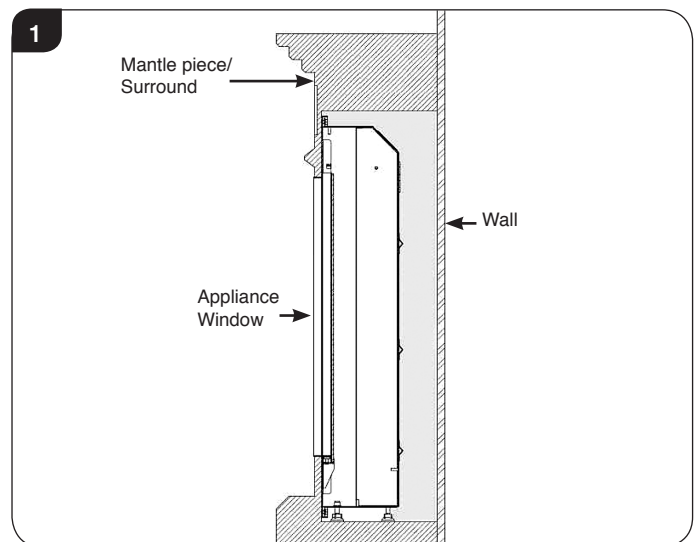
The positioning of the heater should ideally be fitted into/onto a flat wall of block/brick construction or an internal wooden frame plaster board wall. The fixings provided are for use on brick walls ONLY. Please ensure that suitable fixings are used when securing to any hollow or cavity walls.

- 2.2 Always ensure the appliance is adequately supported and sits on a firm structure when mounting above floor level.
- 2.3 Ensure that curtains and furniture are not positioned close to the chosen position, as this would create a potential fire hazard or block the heater outlet ducts.
- 2.4 For best results, install out of direct sunlight.

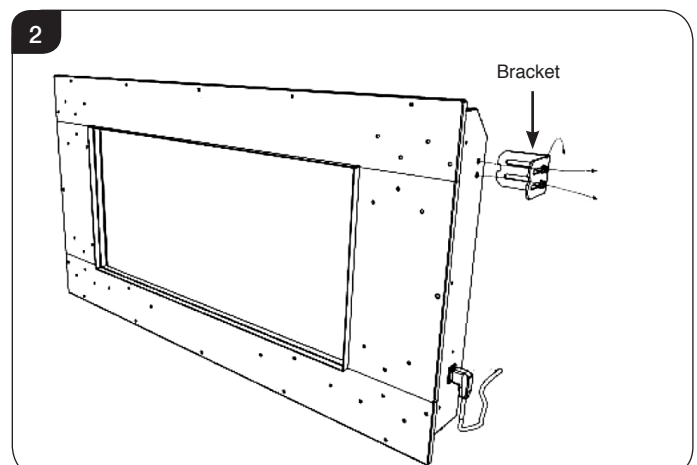
- 2.5 If the power cord is damaged, it must be repaired by the manufacturer, its authorized service centre or professional person.
- 2.6 The appliance should ideally be located close to a suitable mains socket to enable connection. An extension could be run from an existing socket outlet but this must be carried out by a suitably qualified electrical engineer. The electrical socket must be easily accessible to allow disconnection when the appliance is fitted.

WARNING! KEEP ANY FURNISHINGS OR COMBUSTIBLE MATERIALS AT LEAST 1M FROM THE FRONT OF THE ELECTRIC FIREPLACE.

Installation into a Mantel piece/Surround

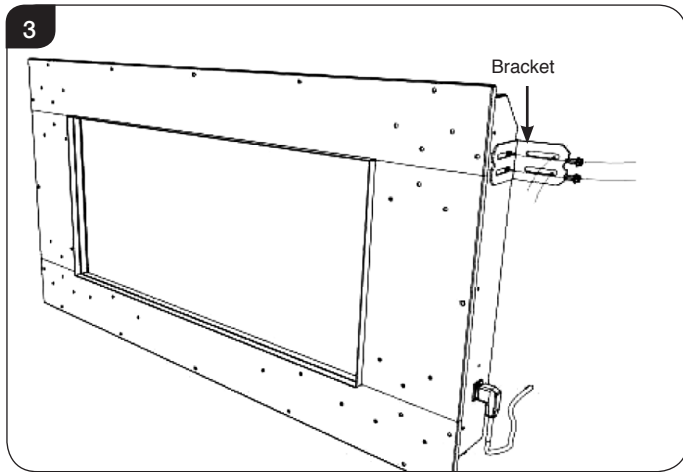


- 2.7 Do not insulate the appliance. For the heater to function it requires air to circulate.
- 2.8 Ventilate the mantle piece/surround by allowing vents above and below.
- 2.9 The positioning of the appliance should ideally be on a flat surface or floor, or situated within a cavity secured using the brackets provided.
- 2.10 Remove retaining screws and brackets (L/R), see Diagram 2.



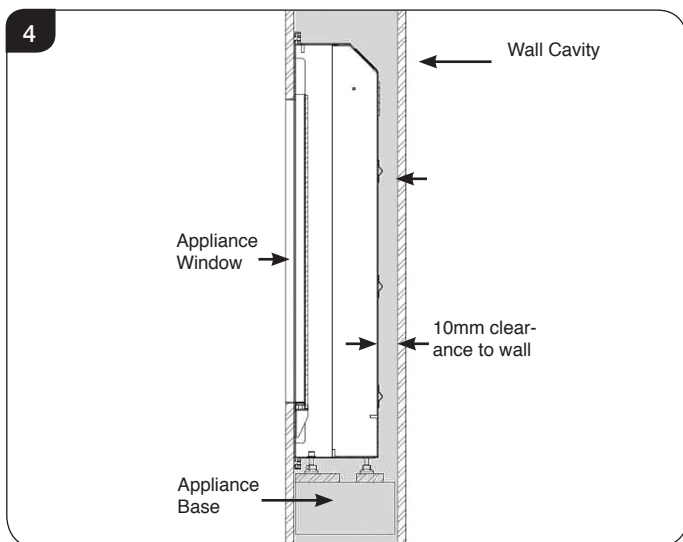
Installation Instructions

- 2.11 Re-attach the brackets (L/R) in reverse position and secure using the fixings provided, see Diagram 3.
The fixings provided are for use on brick walls ONLY. Please ensure that suitable fixings are used when securing to any hollow or cavity walls.



- 2.12 Place any decorative infill panel into place ensuring the cutout fits neatly around the 'Edge' frame leaving the edge returns visible. Place the rebated mantel into place and secure to the wall in accordance with the manufacturers instructions.
- 2.13 Ensure that curtains, furnishings and combustible materials are not positioned closer than 1 metre to the appliance as this could create a potential fire hazard.

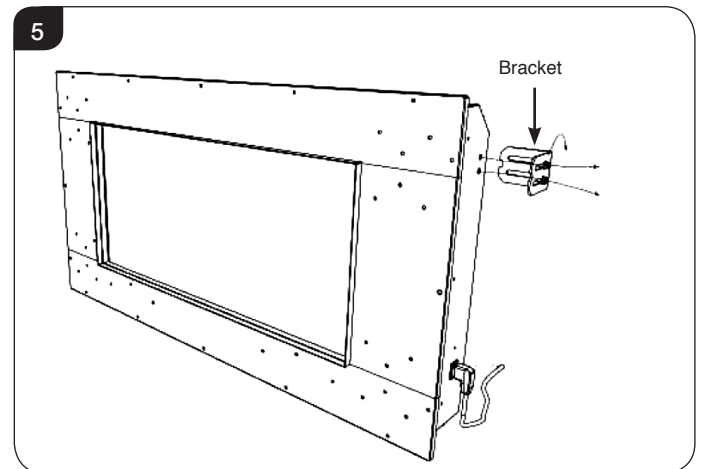
Installation using the 'Hidden Door' method



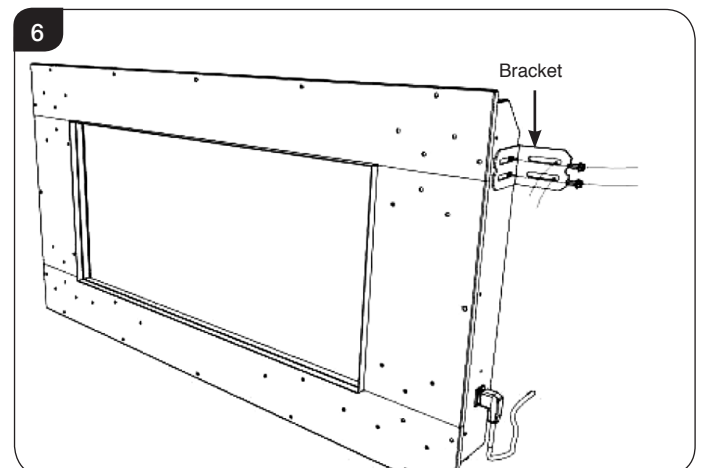
- 2.14 Do not insulate the appliance. For the heater to function it requires air to circulate.
- 2.15 Ventilate the cavity by allowing vents above and below to allow air to circulate.
- 2.16 The positioning of the appliance should ideally be on a flat surface or floor, or situated within a cavity secured using the brackets provided.

The fixings supplied are for brick walls only.

- 2.17 Remove retaining screws and brackets (L/R), see Diagram 5.



- 2.18 Re-attach the brackets (L/R) in reverse position and secure using the fixings provided, see Diagram 6.



- 2.19 Construct a studwork enclosure around the appliance to the desired width and height. Finish the enclosure in the chosen material ensuring the panels are pushed up to the 'Edge' frame leaving the edge returns visible. Finish the wall as desired.
- 2.20 Ensure that curtains, furnishings and combustible materials are not positioned closer than 1 metre to the appliance as this could create a potential fire hazard.

3. Connecting to the Mains Supply

- 3.1 Check whether the mains circuit can accommodate the additional load of 1000 or 2000 Watt.
- 3.2 Connect the appliance to an earthed socket.
- 3.3 Do not clamp the electrical lead.

Servicing Instructions

1. General Requirements

THIS APPLIANCE MUST ONLY BE SERVICED BY A SUITABLY QUALIFIED PERSON.

BEFORE UNDERTAKING ANY WORK ON THE APPLIANCE: SWITCH OFF THE APPLIANCE AND ISOLATE IT FROM THE MAINS BY UNPLUGGING THE UNIT.

- 1.1 Wait for at least 10 minutes until the appliance has cooled down.

1.2 Remote Handset Battery Replacement

The remote control handset, uses a battery for power operation, this will need replacement over a period of time.

For replacement:

- Open the battery compartment cover on the rear of the handset.
- Remove the old battery and replace with a new one observing the correct polarity (+ & -) as marked upon the battery and handset remote control.
- Replace the handset cover.

1.3 Maintenance of Motors

The motors used on the fan and flame effect are pre-lubricated for extended bearing life and require no further lubrication. However, periodic cleaning/vacuuming of the fan/heater unit is recommended.

1.4 Resetting the Thermal Cutout Switch

The appliance is fitted with an Electronic Safety Control (E.S.). This is a safety device which switches off the heat only if, the appliance overheats for any reason e.g. when covered.

If the heater stops operating whilst the flame effect continues normally, this indicates that the E.S. Control is in operation.

The E.S. Control can only be re-set after the appliance has cooled down.

To re-set the E.S.:

Switch off the appliance (Isolation switch) and leave for approximately 5-10 minutes. Remove any obstruction to the fan heater outlet or other internal parts.

Switch on appliance and the E.S. Control will re-set. Ensure that the appliance is functioning correctly. If the E.S. Control operates again, the appliance should be checked by a competent Electrician.

- 1.5 If the power supply is interrupted (power failure) or the appliance is turned off at the isolation switch whilst the heater is on, it will be necessary to disconnect the appliance from the mains supply and leave for 5 minutes in order to discharge the electronics before attempting to turn the appliance on.

2. Fault Finding

Operate appliance before commissioning

- 2.1 Click on the Remote Handset flame button. If the appliance does not function, then, follow points 1,2,3,4 and 5 respectively.

1. Check the power connection to the mains switch on the wall is in the ON position.

2. Check the Isolation switch on the appliance (see sticker on the appliance). The switch must be set to the "I" position

3. Check the battery in your handset. The red LED must be showing brightly. Check if the battery is in the correct position and refit if necessary.

4. If after checking 1,2,3 still nothing happens, then please check the Frequency on the back of the Remote Handset, it must be pointing to the LETTERS as follow:

Riva 2 Electric 55	– G
Riva 2 Electric 70	– F
Studio Electric Inset 80	– C
Studio Electric Inset 105	– J
Studio Electric Inset 150	– M

5. If after checking 1, 2, 3 & 4 nothing still has happened, then disconnect the power from the mains (unplug from socket), and wait for 60 seconds, then plug it back in and repeat steps 1 to 4. If you do not have access to the mains switch, because it is built-in, then disconnect from the fuse board.

6. On cold days or if the appliance is fitted in a conservatory, the flame effect may move slowly (or appear to stick slightly), when you first start it.

Turn on the heating by clicking on the bottom button for few minutes. This will generate a stronger pull and will warm up the glass.

7. The heating does not turn-on, when you click on heating button but the flame effect is running.

a). Check the battery in your hand set. The red LED must be showing brightly.

b). Try again clicking on heating button closer to the appliance.

c). Turn off appliance, then turn it on again. Wait for 10 seconds, then click on the heating again.

d). If after checking a, b & c the heating still does not turn on then follow point number 5.

Servicing Instructions

3. How to wire a plug

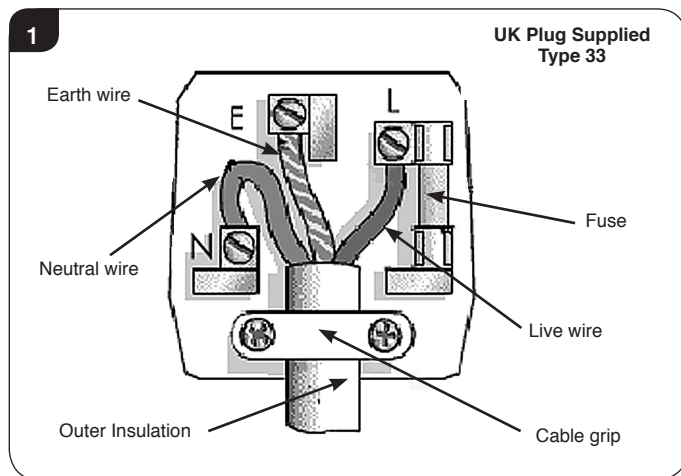
To change the plug supplied with this fire, follow the instructions below. The instructions assume that the wire has been cut.




WARNING – FAILURE TO CONNECT THE WIRES CORRECTLY COULD PUT PEOPLE AT RISK FROM ELECTRIC SHOCK OR FIRE. IF IN DOUBT CONSULT A QUALIFIED ELECTRICIAN.

UK Plug

Suitable for use in Cyprus, Malta, Ireland & Great Britain

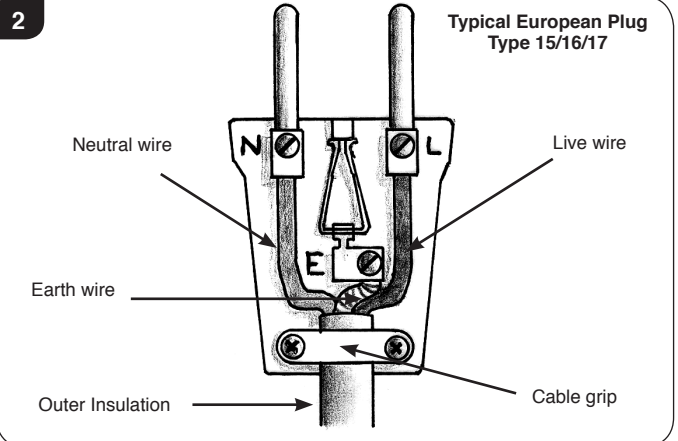


Live Wire	Brown	Terminal L / RED
Neutral Wire	Blue	Terminal N / BLACK
Earth Wire	Green & Yellow Stripes	Terminal E /  / GREEN or GREEN & YELLOW

THIS APPLIANCE MUST BE EARTHED

European Plug

Suitable for use in Austria, Belgium, Bulgaria, Czech Republic, Denmark, Estonia, Finland, France, Greece, Hungary, Germany, Italy, Latvia, Lithuania, Luxembourg, Netherlands, Poland, Portugal, Romania, Slovakia, Slovenia, Spain & Sweden



- 3.1 Dispose of the old plug safely. Ensure the new plug is not cracked or chipped.
- 3.2 Expose 4cm of the coloured wires and trim to the correct lengths so that they comfortably reach the correct terminals.
- 3.3 Ensure that the Earth wire has more slack than any of the other wires.
- 3.4 Remove some of the insulation to leave about 1cm of exposed metal core on each wire.
- 3.5 Twist the strands of the wire together.
- 3.6 Loosen the screw heads above each terminal.
- 3.7 Push the metal wire into the hole beneath each screw head or, dependent on plug design, wind the metal wire around the screw.
- 3.8 Ensure that the insulation reaches right up to each terminal as illustrated and there are no loose strands of wire.
- 3.9 Ensure the cable sits correctly under the cable grip and tighten to secure.
- 3.10 Refer to *Technical Specification* for fuse rating and fit the appropriate fuse into the plug.
- 3.11 Attach the plug cover.

Servicing Instructions

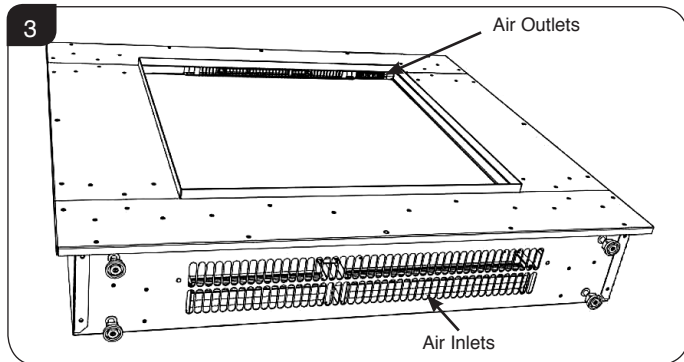
4. Servicing Requirements

4.1 CLEANING AIR OUTLETS

It is essential to regularly clean the air inlets to aid the performance of the appliance.

Ensure the appliance is unplugged.

Clean the air outlet grilles regularly with a soft cloth or the nozzle of a vacuum cleaner, see Diagram 3.



Dust build-up can inhibit efficient performance of the fan and lead to the safety cut-out operating.

4.2 To service the appliance please follow the steps as detailed:

- 4.2.1 Click on the RC (flame) button. If appliance does not work, then follow the Trouble shooting guide.
- 4.2.2 If it works then operate heat setting 1kW then, heat setting 2kW.
- 4.2.3 Click the dimmer function button, make sure the flame effect goes from MAX brightness to a minimum and then start cycling up and down.
- 4.3 If stages 2 & 3 are OK, then by using your handset turn off the heat, turn off dimmer and then turn off the fire. Turn off the switch on the fire. The Isolation switch on the appliance must be set to the "0" position.
- 4.4 Turn off power connection mains switch on the wall to OFF position. If you do not have an access to the MAIN'S ON/OFF switch, because it is built-in, then disconnect from MAIN'S fuse board.
- 4.5 Once these steps have been followed:
 - 4.5.1 Change new Battery in the hand set.
 - 4.5.2 Remove the glass trims attached with magnets. Gently remove the glass from the fire, See Section 6.
 - 4.5.3 Gently remove the effects screen and outer screen from the fire.
 - 4.5.4 Remove ONLY the Centre clip with the silk hanger (Note its original position first)
 - 4.5.5 Wipe and clean the back of the fire, with screen cleaner and cloth and wait about 2 minutes to dry.

- 4.5.6 Spray anti static on the back of the fire behind the screen and on the silk. Attach the silk and clip back into its original position.
- 4.5.7 Clean the effects screen and outer screen with screen cleaner and cloth.
- 4.5.8 Clean the glass with glass cleaner and cloth.
- 4.5.9 Connect / restore mains electricity and ON/OFF switch back to 1 position. Run the fire while the screen and glass unattached following steps 1,2 and 3, for 5 minutes.
- 4.5.10 Turn off the fire from your RC.
- 4.5.11 Attach screen and then attach the glass.
- 4.5.12 Fit the HD trims.
- 4.5.13 Run the fire while the screen and glass in place following steps 1,2 and 3, for 3 minutes.

5. Cleaning

- 5.1 Do not use water, detergents, abrasive cleaning powders or polish of any kind on the body of the appliance. Lightly dust using a dry duster or a medium soft brush.

To clean the glass use glass or window cleaner.

6. Removing the Glass



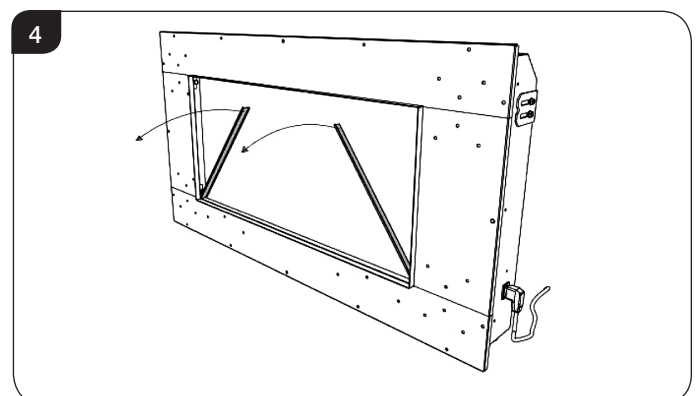
WARNING: REMOVING THE GLASS SHOULD ONLY BE UNDERTAKEN WHEN ABSOLUTELY NECESSARY. IF REQUIRED PLEASE CONTACT YOUR DEALER FOR FURTHER SUPPORT.

CAUTION: BROKEN GLASS CAN CAUSE SERIOUS INJURY. TAKE EXTRA CARE WHEN HANDLING THE APPLIANCE WINDOW

- 6.1 **DO NOT OPERATE THE APPLIANCE WITHOUT THE GLASS WINDOW INSTALLED.**

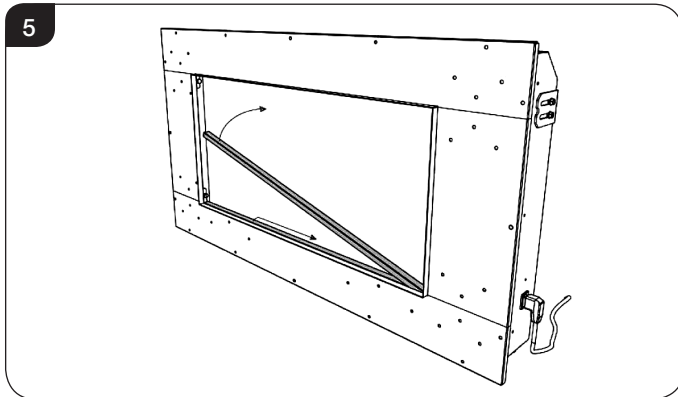
- 6.2 **Removing the Hidden Door brackets:**

Lean side brackets inwards from magnets and lift away from the appliance, see Diagram 4.



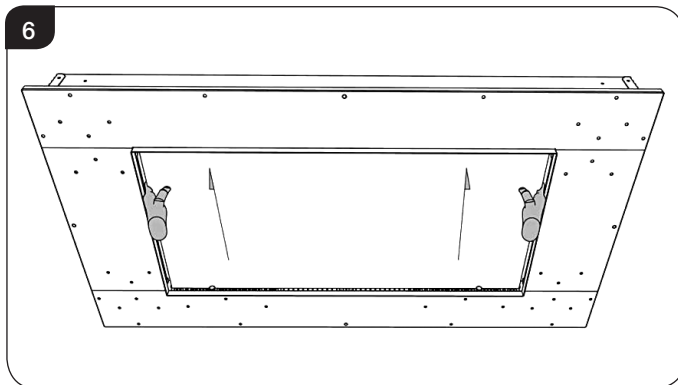
Servicing Instructions

- 6.3 Slide bottom bracket across and lift end upwards. Lift bracket away from the appliance, see Diagram 5.

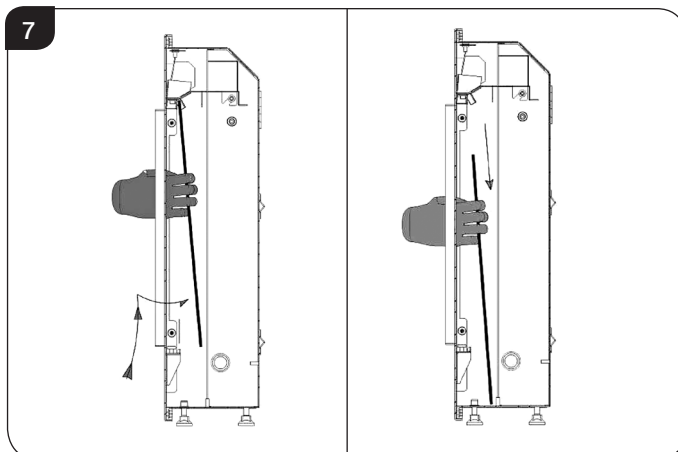


- 6.4 **WARNING: Although the glass panel has been treated with safety edges please take care when handling the glass. Avoid contact with corners and if necessary wear protective gloves. Two people may be required to remove the glass.**

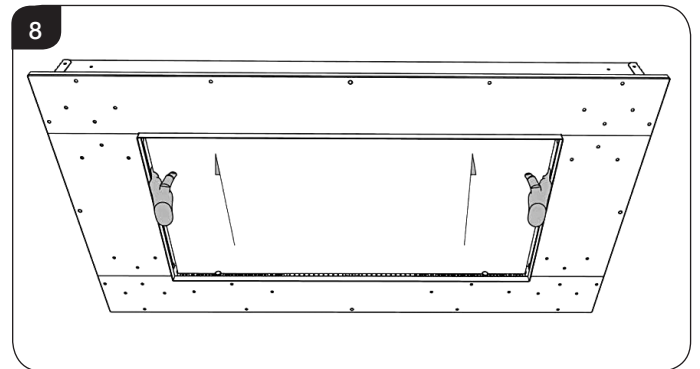
- 6.5 The glass is held in place with spring clips. Grip the glass window with two hands and lift upwards, lifting it out from its seated position, see Diagram 6.



- 6.6 Once lifted, swing the glass backward and lower into the bottom of the appliance, see Diagram 7.



- 6.7 The glass can now be lifted out of the appliance by gripping the top edge with both hands and sliding out through the window, see Diagram 8.



- 6.8 Clean glass panel and re-install following the instructions in reverse.

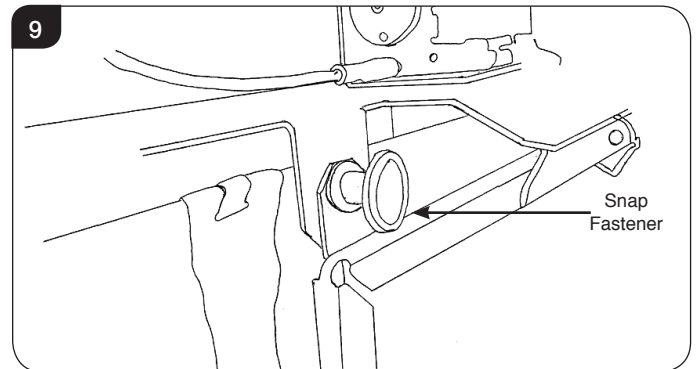
7. Resetting Remote Control Frequency

It may be necessary to reset the transmission frequency of the existing Remote Handset or pair a replacement in the event of loss or damage.

The reset switch is located on the PCB behind the Electronics Cover Plate behind the appliances screens.

- 7.1 To access the Electronics Cover Plate it will be necessary to remove the glass front, see Section 6.

- 7.2 It is then necessary to remove the inner screen assembly by pulling the LH & RH upper snap fasteners towards you, see Diagram 9.

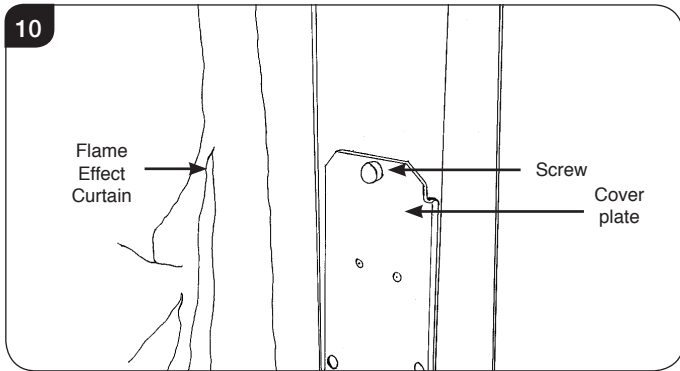


- 7.2 Pull the screen forward to clear the securing brackets and lift screen to disengage from the lower retention channel. Swing bottom of the screen assembly forward and remove from the appliance.

- 7.3 Isolate the power supply and ensure there is no power to the appliance.

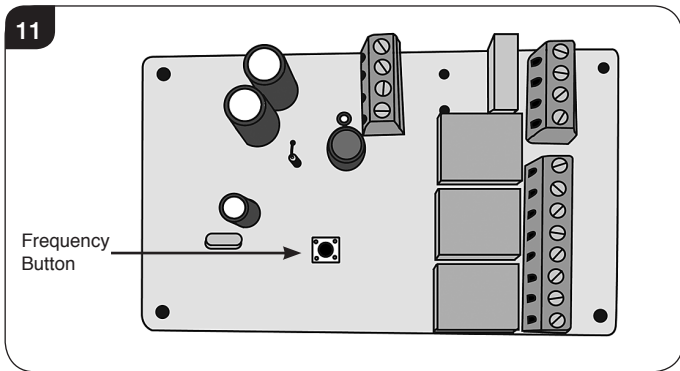
- 7.4 The Electronics Cover Plate is located on the right hand side of the Flame Effect. Loosen the screw to access the PCB on the rear of the cover, See Diagram 10. **Take care when opening the Cover Plate not to damage the wires attached.**

Servicing Instructions



7.5 In order to clear the current frequency setting press and hold the button on the PCB for 10 seconds, see Diagram 11.

The relay will emit three beeps to signal that the operation has been successful.



7.6 In order to pair a remote handset to the appliance frequency press the frequency button on the PCB and immediately press any button on the handset at the same time.

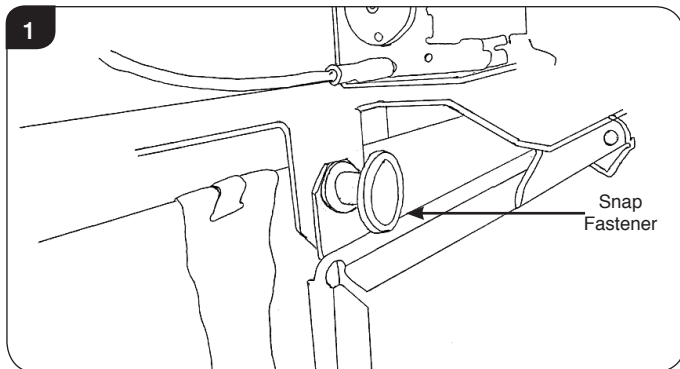
Keep both buttons depressed for 5 seconds to complete the pairing. The relay will emit a single beep to indicate the pairing has been successful.

Servicing Instructions - Replacing Parts

1. General

In order to carry out replacement of any of the components, it will be necessary to remove the glass as detailed in Servicing, Section 6.

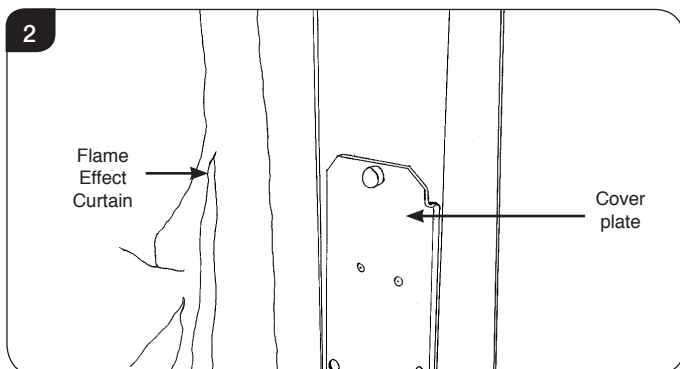
- 1.1 It is then necessary to remove the inner screen assembly by pulling the LH & RH upper snap fasteners towards you, see Diagram 1.



- 1.2 Pull the screen forward to clear the securing brackets and lift screen to disengage from the lower retention channel. Swing bottom of the screen assembly forward and remove from the appliance.
- 1.3 Isolate the power supply and ensure there is no power to the appliance.

2. Replacing the LED Assembly

- 2.1 The LED effect comes as a complete assembly. Open the Electronics cover plate on the inner RH side of the firebox, see Diagram 2.

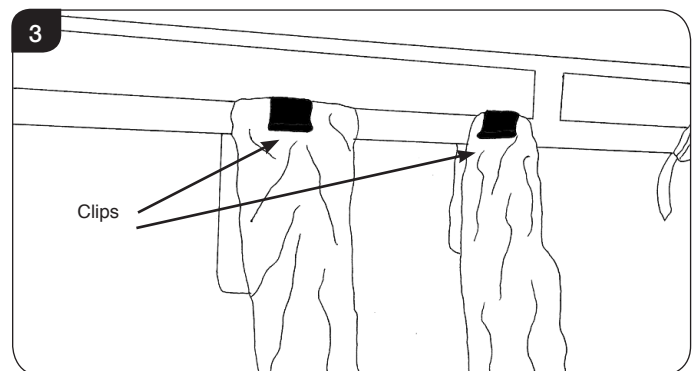


- 2.2 Unplug the LED output lead from the PCB board and thread the lead through the grommet back inside the firebox.
- 2.3 Unclip the LED boards from the silk bar by opening the plastic retaining clips (which open from the bottom). Remove the LED boards and replace with the new assembly.
- 2.4 Replace the clips and thread the lead back through the grommet. Plug the clip back into the LED output port on the PCB board. Close the electronics cover plate and secure into position.

- 2.5 Replace the screen by inserting into the top of the appliance and then lowering into the retention channel before pushing backwards at the top and pushing the snap fasteners back into position.
- 2.6 Replace the glass screen and replace the bottom and side decorative finishing brackets.

3. Replacing the Silk Assembly

- 3.1 The silk comes as a complete assembly with the retaining clamp. To replace the assembly open electronics cover on the inner RH side of the firebox, See Diagram 2.
- 3.2 Unplug the LED output lead from the PCB board and thread the lead through the grommet back inside the firebox.
- 3.3 Remove the screws securing the silk assembly inside the base of the firebox.
- 3.4 Unclip the silk from the top retaining bar by removing the clips. It may be useful to mark the position of the silk on the retaining bar to aid replacement.
- 3.5 Lay the new silk assembly flat and apply a fine film of antic static spray to the material.
- 3.6 Position in the base of the appliance and fix into position using the previously removed screws. Replace the silk on top of the retaining bar in the position previously marked. The indicator line on the top of the silk ribbons should be aligned with the top edge of the retaining bar. Fold the silk over and replace the clip, see Diagram 3.

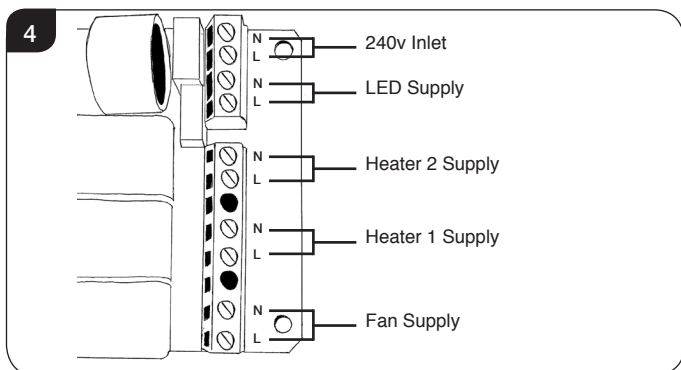


- 3.7 Replace the screen by inserting into the top of the appliance and then lowering into the retention channel before pushing backwards at the top and pushing the snap fasteners back into position.
- 3.8 Replace the glass screen and replace the bottom and side decorative finishing brackets.

Servicing Instructions - Replacing Parts

4. Replacing the Heater Unit

- 4.1 Unclip the silk from the top retaining bar by removing the clips. It may be useful to mark the position of the silk on the retaining bar to aid replacement.
- 4.2 Open the Electronics cover plate on the inner RH side of the firebox, See Diagram 2.
- 4.3 Disconnect the following leads:
 - Brown lead secured into **Live Terminal Heater 1** on PCB
 - Blue lead secured into **Neutral Terminal Heater 1** on PCB
 - White lead secured into **Live Terminal Heater 2** on PCB
 - Brown Heater Live lead from the **Live Terminal 240v Inlet** on PCB
 - Brown Live Lead from the power unit socket situated at the bottom of the electric cover plate opening.
- 4.4 Undo the nuts securing the complete heater assembly in the top of the firebox taking care not to damage the Earth lead secured to the LH nut.
- 4.5 Remove the screws situated to both sides of the heater unit and remove it completely ensuring the wires are gently pulled through the grommet.
- 4.6 Locate the new heater unit and replace the screws to either side of the heater. Replace the nuts securing the heater to the top of the fire box **ENSURING THE EARTH LEAD IS SECURED BENEATH THE LH NUT.**
- 4.7 Thread the leads back through the top grommet and replace into the current locations as previously noted, see Diagram 4.



- 4.8 Replace the silk on top of the retaining bar in the position previously marked. The indicator line on the top of the silk ribbons should be aligned with the top edge of the retaining bar. Fold the silk over and replace the clip, See Diagram 3.
- 4.9 Close the electronics cover plate and secure into position.
- 4.10 Replace the screen by inserting into the top of the appliance and then lowering into the retention channel before pushing backwards at the top and pushing the snap fasteners back into position.
- 4.11 Replace the glass screen and replace the bottom and side decorative finishing brackets.

5. Replacing the Fan Assembly

- 5.1 Remove the screws securing the silk assembly inside the base of the firebox and remove the silk assembly from the fan assembly.
- 5.2 Open the electronics cover plate on the inner RH side of the firebox, See Diagram 2.
- 5.3 Disconnect the fan leads from the PCB, See Diagram 4.
- 5.4 Locate the front securing nuts which are positioned beneath the fan assembly to the left and right sides (Studio 150 also has a centre securing nut), remove the nuts.
- 5.5 Remove the rear securing nuts and remove the complete fan assembly.
- 5.6 Replace with the new assembly and replace all the nuts and tighten.
- 5.7 Reconnect the supply leads to the Live and Neutral fan supply terminals on the PCB.
- 5.8 Close the electronics cover plate and secure into position.
- 5.9 Resecure the silk assembly to the fan assembly using the previously removed screws.
- 5.10 Replace the screen by inserting into the top of the appliance and then lowering into the retention channel before pushing backwards at the top and pushing the snap fasteners back into position.
- 5.11 Replace the glass screen and replace the bottom and side decorative finishing brackets.

Servicing Instructions - Replacing Parts

6. Common Parts

Parts Description	Part No.
Remote Handset	ZA60020
Remote Battery	DE00132
Powerplate	ZA06017
Power Cable	DE00020
Feet inc Lock Nut	DE00133
Wall Mounting	DE00130

7. Model Specific Parts

Parts Description	Riva2 Electric 55	Riva2 Electric 70	Studio Electric Inset 80	Studio Electric Inset 105	Studio Electric Inset 150
HD Side Trim Set (x2)	ZC05037	ZC06037	ZC07037	ZC07037	ZC07037
HD Bottom Trim	ZC05035	ZC06035	ZC07035	ZC08035	ZC09035
Outer Screen	ZC05098	ZC06098	ZC07098	ZC08098	ZC09098
Effect Screen	ZC05089	ZC06089	ZC07089	ZC08089	ZC09089
Glass Window	ZC05066	ZC06066	ZC07066	ZC08066	ZC09066
LED & Silk Clamp	ZC05016	ZC06016	ZC07016	ZC08016	ZC09016
Heater Unit	ZA05005	ZA06005	ZA07005	ZA08005	ZA09005
Fan Engine	ZA05006	ZA06006	ZA07006	ZA08006	ZA09006

Gazco Limited, Osprey Road, Sowton Industrial Estate, Exeter, Devon, England EX2 7JG
Technical Customer Services (01392) 261950 Fax: (01392) 261951
E-mail: technicalservices@gazco.com

A member of the Stovax Group