

Round Liner System Installation Instructions

The Round Liner System is the ideal product to use to reline existing chimneys.

Before lining an existing chimney with Anki Pumice liners it is vital to know what type of appliance is to be installed at the bottom of the chimney so that the correct diameter liner can be installed. Check with appliance manufacturer to ascertain correct diameter required.

Check that the internal measurements of the chimney can accommodate the correct sized liner. In order to provide sufficient space for the Leca insulation (min 15mm) the internal dimensions of the chimney should be at least 30mm greater than the external diameter of the Anki liner see brochure.

Before commencing lining the chimney should be swept thoroughly and checked for structural soundness. Any loose or badly deteriorated sections should be repaired prior to lining.

Materials Required

Anki liners
Anki Bends (if necessary)
Lip Glue for joints
Collars for joining
Leca Insulation
Cement
Appliance Adapter
Shuttering Board or Support Lintels
Rope for lowering liners
Soot Door (if necessary)

The chimney is lined by lowering Anki liners from the top of the chimney from a secure platform using a lowering rope. Once the liners are in place and correctly located at the base Leca insulation is poured from the top between the liner and the existing chimney. The top of the chimney is then finished with a mortar flaunching or traditional pot. If there are bends in the chimney then the chimney must be opened up at these points.

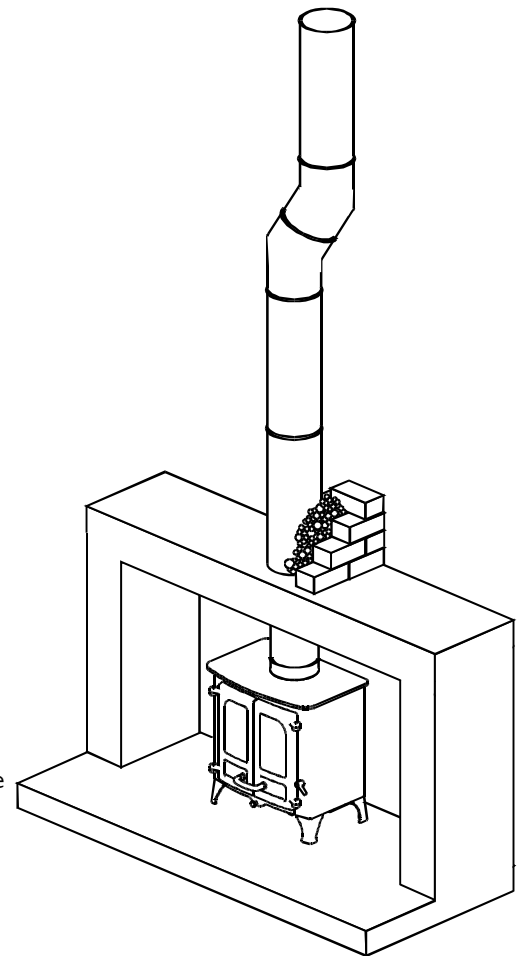
PREPARATION AT THE BOTTOM OF THE CHIMNEY.

This will depend on what type of appliance is to be installed and the type of opening required. Whichever method is used it must support the weight of the liners and insulation.

Free-standing Stove or Roomheater.

To allow the stove or roomheater to be removed simply at a later date, if necessary, the stainless steel appliance adapter should be used. This can be placed on

- a) a suitably sized pre-cast slab lintel with a hole of the correct diameter cast in it.
- b) in between 2 pre-formed concrete lintels.
- c) cast in situ using suitably sized shuttering board.



Inset Roomheater

This can be fitted as per a free-standing appliance using the stainless steel appliance adapter and support lintels. The area around the boiler and flue connection is insulated using vermiculite in the traditional way.

Open Fire

A suitably sized opening and gather are formed and the Anki liners are lowered in place and located on top of the gather.

LINING THE CHIMNEY

Once the bottom of the chimney has been prepared and if the chimney is straight the Anki liners can be lowered from the top.

Cut two notches in the bottom of the first liner (spigot end). Position the rope in the notches with a joining knot in the middle of the liner so that the rope can be easily removed afterwards.

Attach a steel collar to the top of the first liner and start to lower it down the chimney, until the top is level with the top of the stack.

Apply a layer of lip glue to the top of the first liner (socket end) and then place the second liner on top using the collar to correctly locate the liner.

Ensure any excess lip glue is removed from the joints on the inside of the liner.

Continue to add liners, collars and lip glue as above and lower them down the chimney using the rope until they locate with the relevant adapter at the bottom of the chimney. It will be necessary to have someone at the bottom of the chimney to guide the liner into the adapter. Ensure that the liner is kept as central as possible within the chimney. Once the liner is in its correct position, untie the knot and remove the rope. The notches in the first liner should be filled with lip glue.

Wet the Leca insulation with a small amount of water and mix well with cement using a 15:1 Leca : Cement mix. Place a bag or similar over the top of the liner to prevent insulation going down it, and pour the insulation/cement mix around the liners until the area between the liner and the existing chimney is completely filled

Cut any remaining liner off and then either fit a traditional chimney pot in the normal way or finish off with a 1:1½:4½ mortar flaunching.

LINING A CHIMNEY WITH BENDS

If a chimney has bends then an opening has to be made at each bend large enough to insert a liner. The lining is then carried out as follows:

Make an opening at the first bend and lower liners complete with collars and lip glue down to locate with the appliance adapter.

Insert either a pre-formed bend or form a bend on site to the required angle using lip glue to join.

Once in position, fill between the liners and the chimney with insulation/cement mix.

Make an opening at the second bend and repeat the operation connecting the liners to the lower bend.

Insert the 2nd bend in the same way as the first.

Brick up the lower opening and pour insulation/cement mix around the liners via the opening at the second bend.

If there are only 2 bends then the final section of the chimney can be lined as per a straight chimney. The liners being lowered from the top of the chimney and connected to the upper bend. The second opening is then bricked up and the insulation poured from the top of the chimney. If there are more than 2 bends then the above process is repeated.

Finish off the top of the chimney as described above.