

# Technical Specification Bulletin Number TB200

Fuel Type  
Gas B/Flue

Date of Issue  
6 October 2005

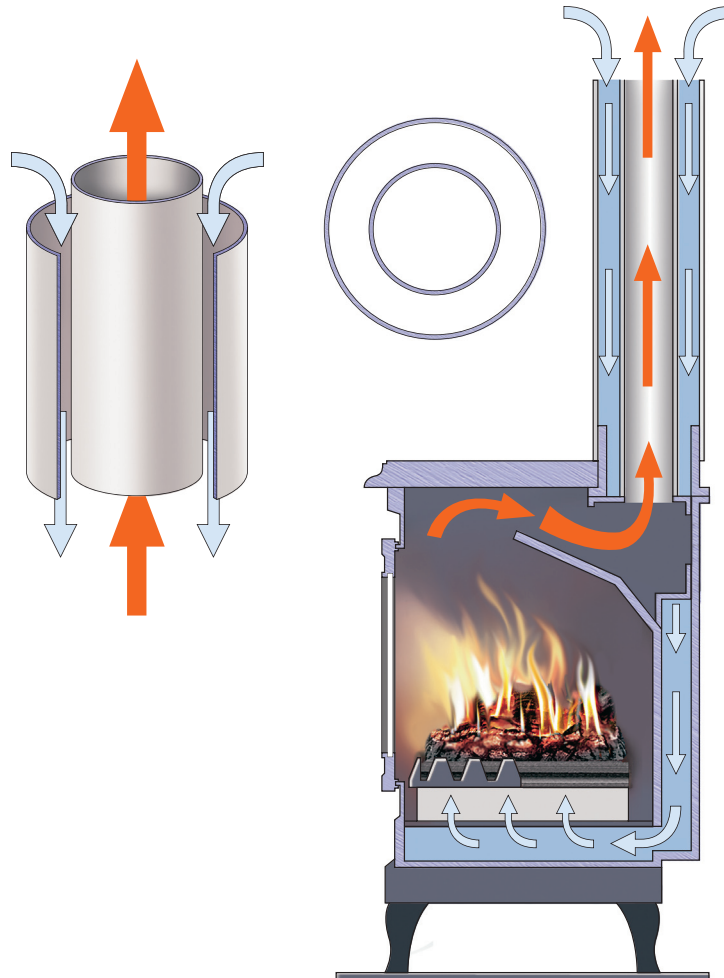
Edition  
2



The Stove Company

## Balanced Flue Kits and Additional Flue System Options

Page Number 1



A balanced flue stove is supplied with the required air via the flue pipe itself by means of a double skinned construction and is therefore independent of room atmospheric conditions.

# Technical Specification Bulletin Number TB200

Fuel Type  
Gas B/Flue

Date of Issue  
6 October 2005

Edition  
2

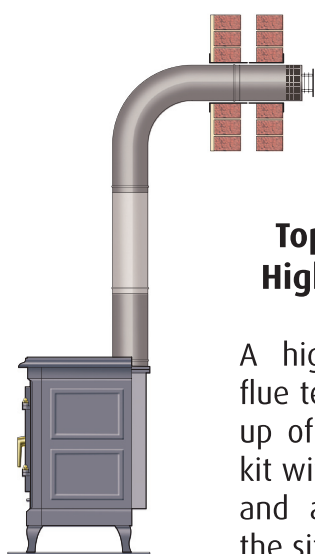


The Stove Company

## Balanced Flue Kits and Additional Flue System Options

Page Number 2

### Balanced Flue Examples

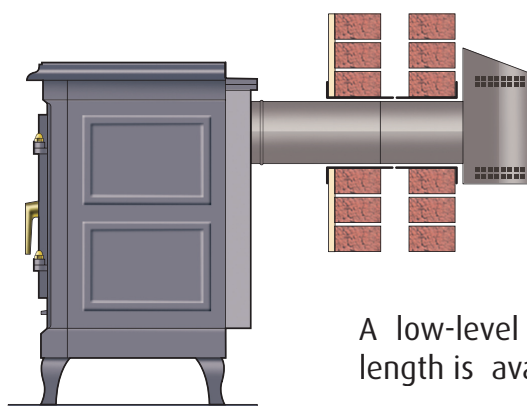
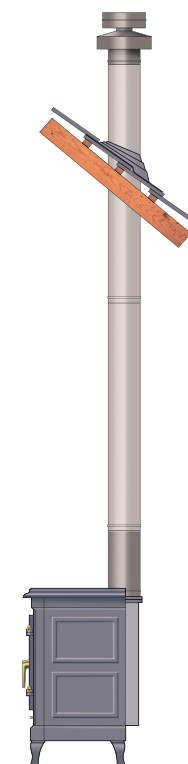


#### Top to Horizontal High-Level Flue Kit

A high-level horizontal flue termination is made up of a basic horizontal kit with extension pieces and accessories to suit the site conditions.

#### Top to Vertical High-Level Flue Kit

A high-level vertical flue termination is made up of a basic vertical kit with extension pieces and accessories to suit the site conditions.



#### Rear to Horizontal Low-Level Flue Kit

A low-level horizontal flue termination of limited length is available from the rear of the stove.

BALANCED FLUES INDICATED BY DARK PIPES FORM PART OF THE STANDARD KIT.  
LIGHT GREY PIPES ARE OPTIONAL.

# Technical Specification Bulletin Number TB200

Fuel Type  
Gas B/Flue

Date of Issue  
6 October 2005

Edition  
2



The Stove Company

## Balanced Flue Kits and Additional Flue System Options

Page Number 3

### INDEX

Description	Page	
Top to Horizontal High-Level Flue Kit Components 150 mm diameter (MS91032) - suitable for the Harmony 5, Stanford 50 and FB50	4	
Top to Horizontal High-Level Flue Kit Components 180 mm diameter (MS91038) - suitable for the Harmony 8, Stanford 80 and FB80	5	
Top to Vertical High-Level Flue Kit Components 150 mm diameter (MS91060) - suitable for the Harmony 5, Stanford 50 and FB50	6	
Top to Vertical High-Level Flue Kit Components 180 mm diameter (MS91061) - suitable for the Harmony 8, Stanford 80 and FB80	7	
Top to Horizontal High-Level Kit Components 150 mm diameter (MS91102) - suitable for the Harmony 15 and 25 and the Stanford 15 and 25	8	
Top to Horizontal High-Level Kit Components 180 mm diameter (MS91103) - suitable for the Harmony 35 and 45 and Stanford 35 and 45	9	
Top to Vertical High-Level Flue Kit Components 150 mm diameter (MS91100) - suitable for the Harmony 15 and 25 and the Stanford 15 and 25	10	
Top to Vertical High-Level Flue Kit Components 180 mm diameter (MS91101) - suitable for the Harmony 35 and 45 and Stanford 35 and 45	11	
Rear to Horizontal Low-Level Flue Kit Components 150 mm diameter (MS91097) - suitable for the Harmony 15 and 25 and Stanford 15 and 25	12	
Rear to Horizontal Low-Level Flue Kit Components 180 mm diameter (MS91098) - suitable for the Harmony 35 and 45 and Stanford 35 and 45	13	
Additional Flue System Options 150 mm diameter	14	
Additional Flue Systems Options 180 mm diameter	15	

# Technical Specification Bulletin Number TB200

Fuel Type  
Gas B/Flue

Date of Issue  
6 October 2005

Edition  
2



The Stove Company

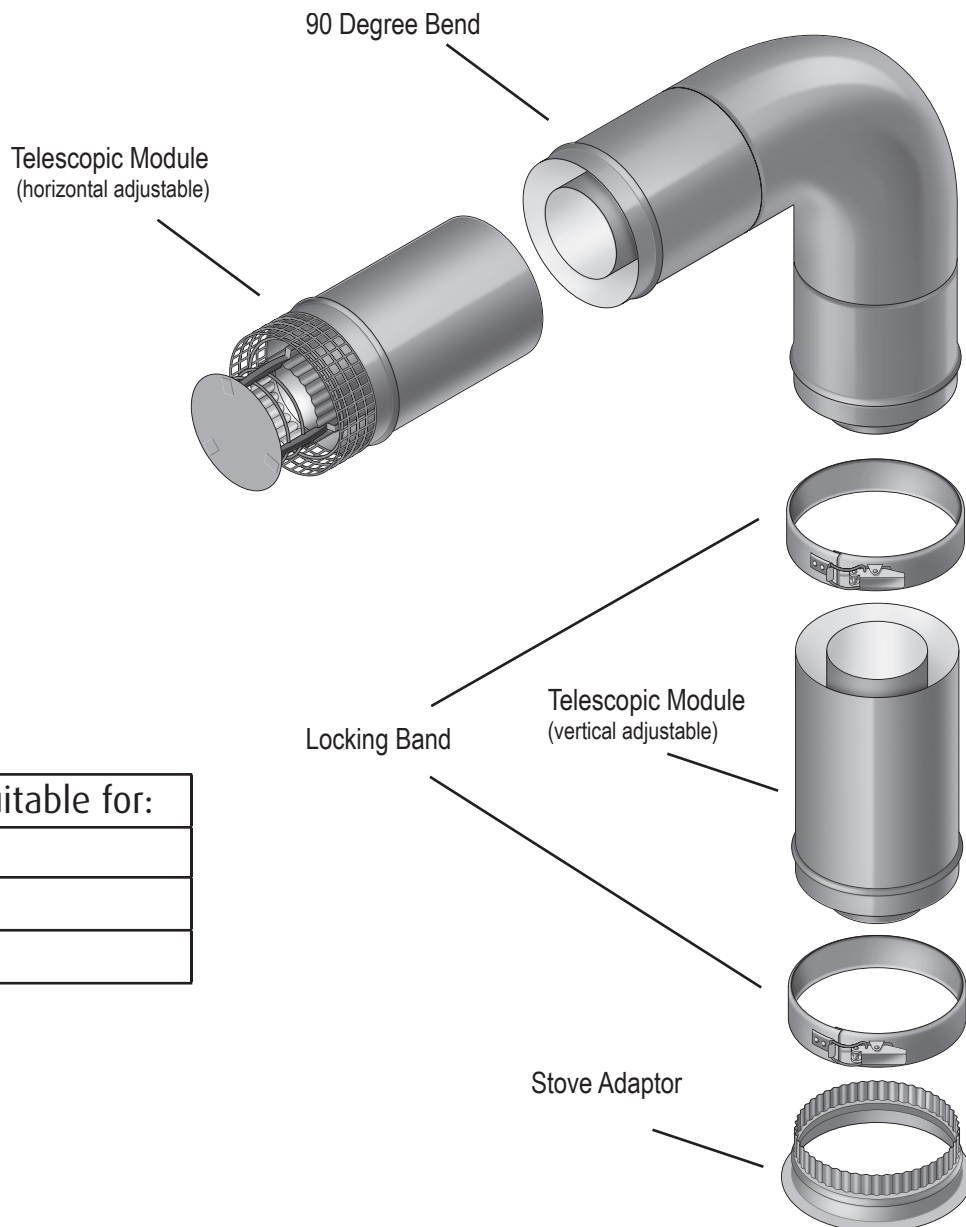
## Balanced Flue Kits and Additional Flue System Options

Page Number 4

### Top to Horizontal High-Level Flue Kit Components

Flue Diameter 150 mm (part number MS91032)

This kit can also be used for the Harmony 15 and 25 and the Stanford 15 and 25 by omitting the Stove Adaptor and replacing it with a MK 1 and MK 2 to MK3 Converter (part number MS91105)



This kit is suitable for:

Harmony 5

Stanford 50

FB50

# Technical Specification Bulletin Number TB200

Fuel Type  
Gas B/Flue

Date of Issue  
6 October 2005

Edition  
2



The Stove Company

## Balanced Flue Kits and Additional Flue System Options

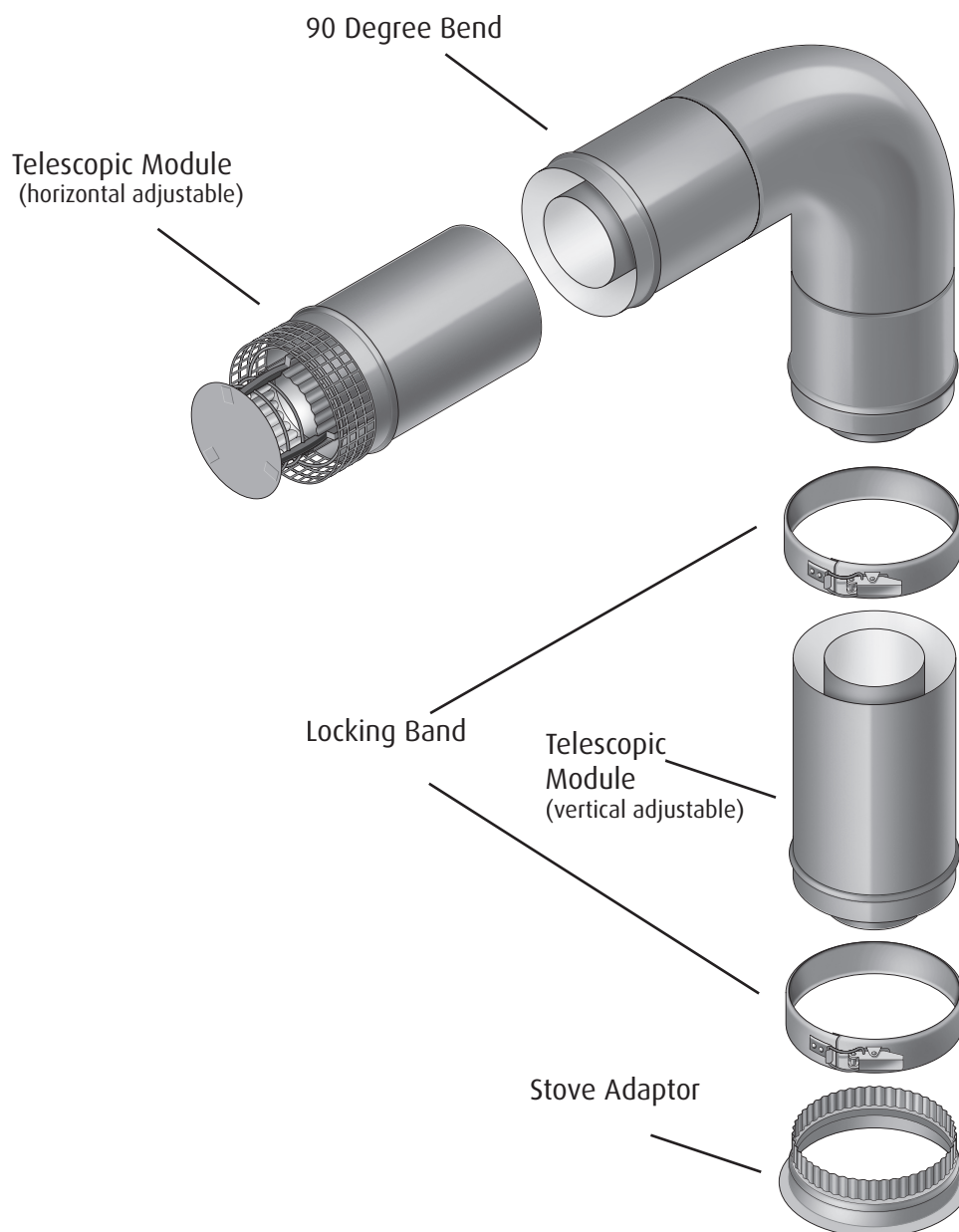
Page Number 5

### Top to Horizontal High-Level Flue Kit Components

Flue Diameter 180 mm **(part number MS91038)**

- suitable for the Harmony 8, Stanford 80 and the FB80 range of stoves and inserts

This kit can also be used for the Harmony 35 and Harmony 45 by omitting the Stove Adaptor and replacing it with a MK 1 and MK 2 to MK3 Converter **(part number MS91105)**



# Technical Specification Bulletin Number TB200

Fuel Type  
Gas B/Flue

Date of Issue  
6 October 2005

Edition  
2



The Stove Company

## Balanced Flue Kits and Additional Flue System Options

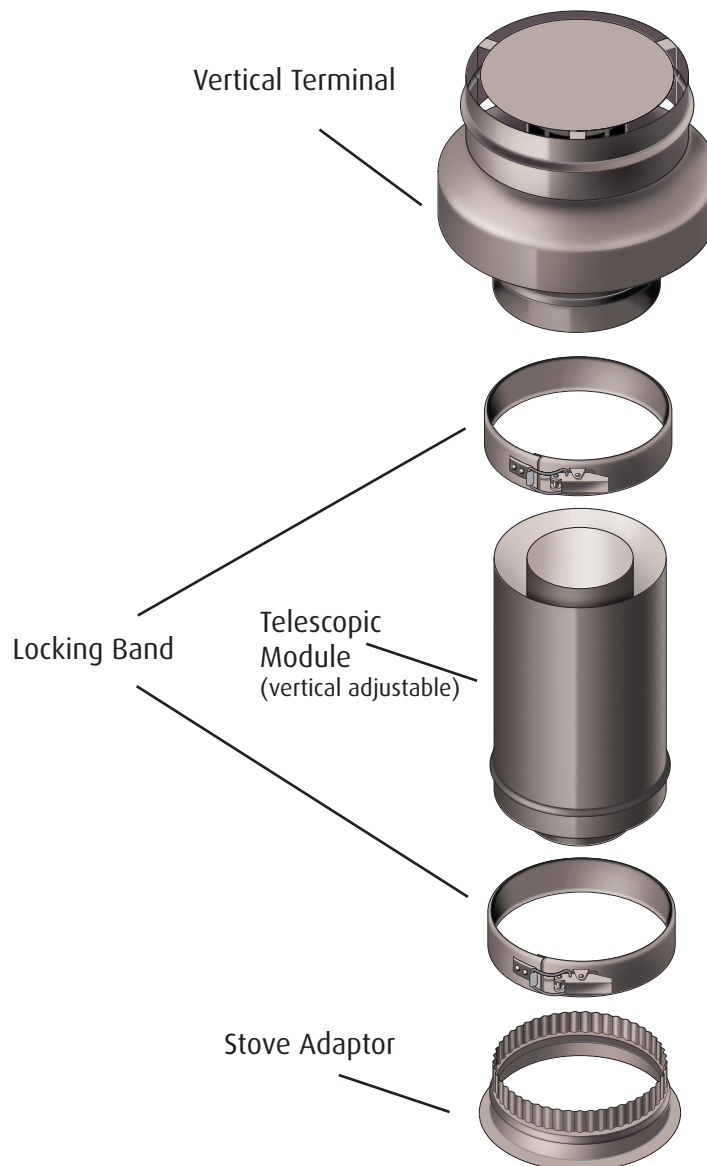
Page Number 6

### Top to Vertical High-Level Flue Kit Components

Flue Diameter 150 mm **(part number MS91060)**

- suitable for the Harmony 5, Stanford 50 and the FB50 range of stoves and inserts

This kit can also be used for the Harmony 15 and 25 and the Stanford 15 and 25 by omitting the Stove Adaptor and replacing it with a MK 1 and MK 2 to MK3 Converter **(part number MS91105)**



# Technical Specification Bulletin Number TB200

Fuel Type  
Gas B/Flue

Date of Issue  
6 October 2005

Edition  
2



The Stove Company

## Balanced Flue Kits and Additional Flue System Options

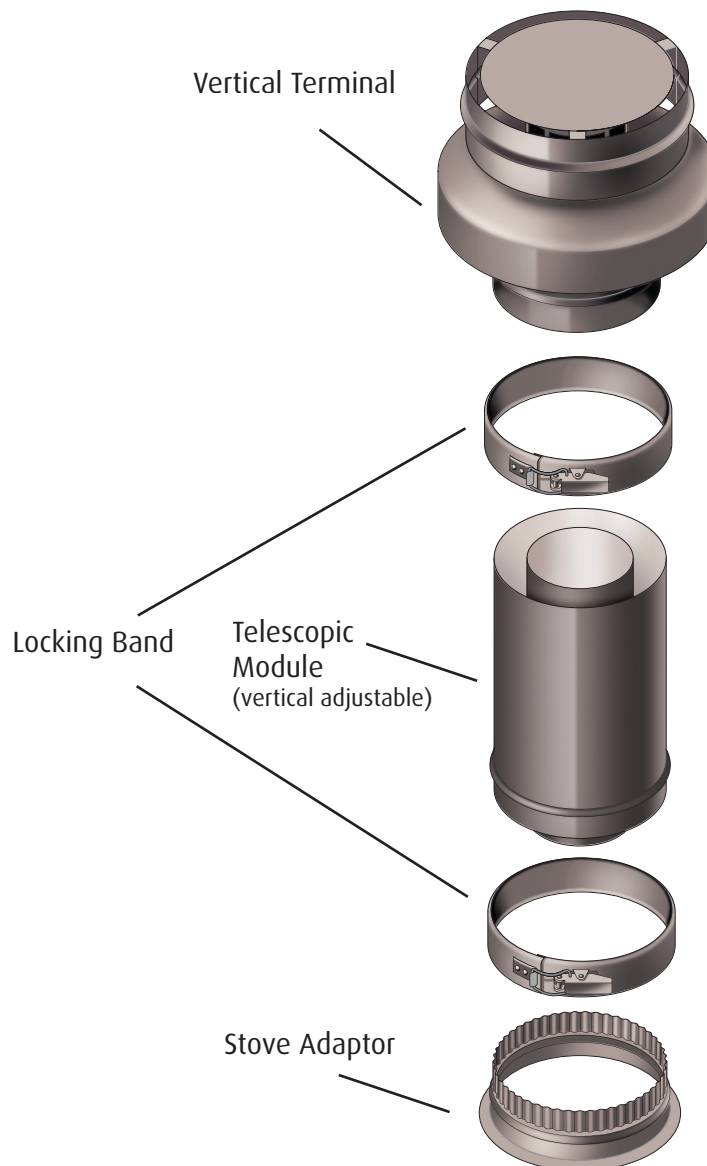
Page Number 7

### Top to Vertical High-Level Flue Kit Components

Flue Diameter 180 mm **(part number MS91061)**

- suitable for the Harmony 8, Stanford 80 and the FB80 range of stoves and inserts

This kit can also be used for the Harmony 15 and 25 and the Stanford 15 and 25 by omitting the Stove Adaptor and replacing it with a MK 1 and MK 2 to MK3 Converter **(part number MS91106)**



# Technical Specification Bulletin Number TB200

Fuel Type  
Gas B/Flue

Date of Issue  
6 October 2005

Edition  
2



The Stove Company

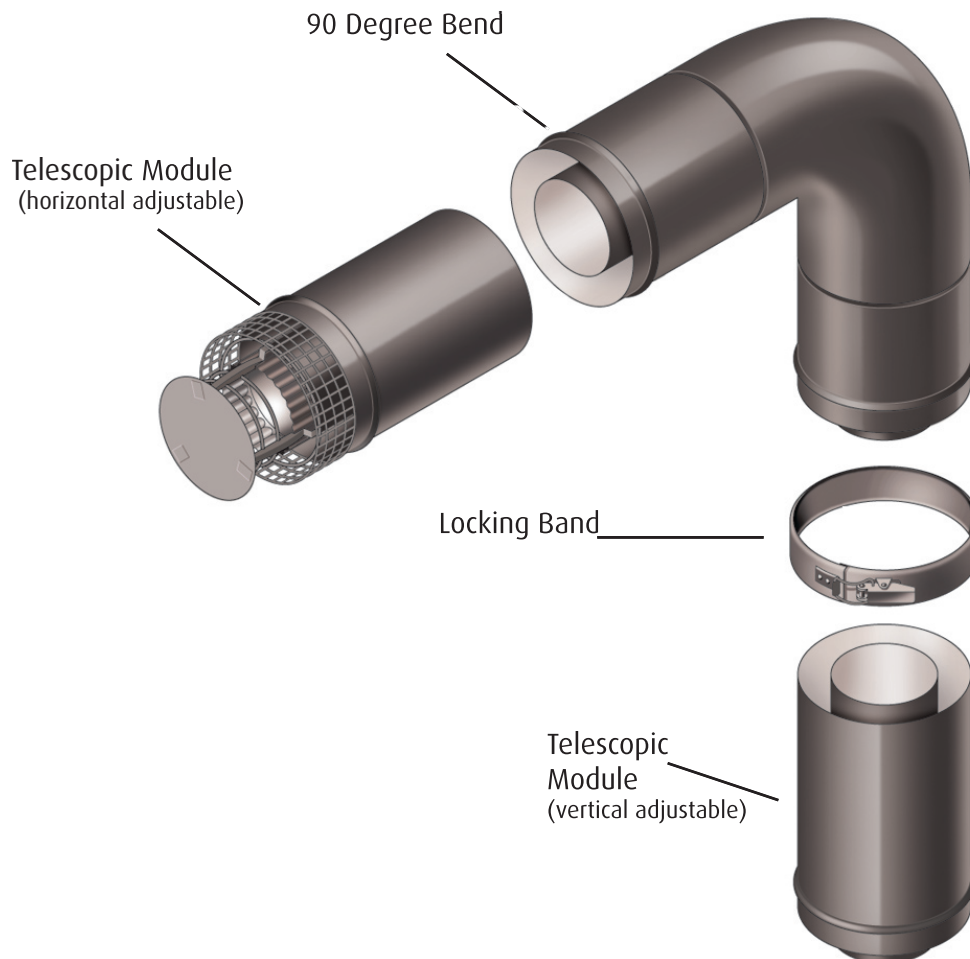
## Balanced Flue Kits and Additional Flue System Options

Page Number 8

### Top to Horizontal High-Level Flue Kit Components

Flue Diameter 150 mm **(part number MS91102)**

- suitable for the Harmony 15 and 25 and the Stanford 15 and 25 range of stoves





# Technical Specification Bulletin Number TB200

Fuel Type  
Gas B/Flue

Date of Issue  
6 October 2005

Edition  
2



The Stove Company

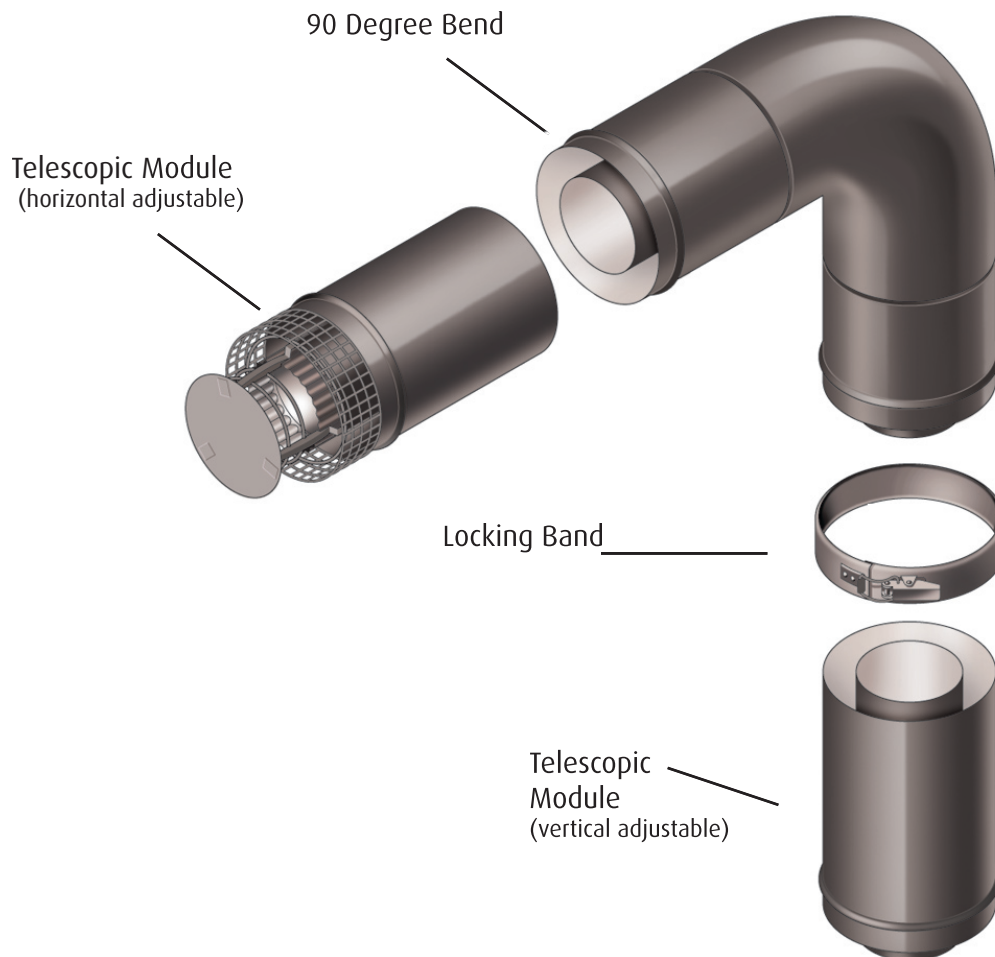
## Balanced Flue Kits and Additional Flue System Options

Page Number 9

### Top to Horizontal High-Level Flue Kit Components

Flue Diameter 180 mm **(part number MS91103)**

- suitable for the Harmony 35 and 45 and Stanford 35 and 45 range of stoves



# Technical Specification Bulletin Number TB200

Fuel Type  
Gas B/Flue

Date of Issue  
6 October 2005

Edition  
2



The Stove Company

## Balanced Flue Kits and Additional Flue System Options

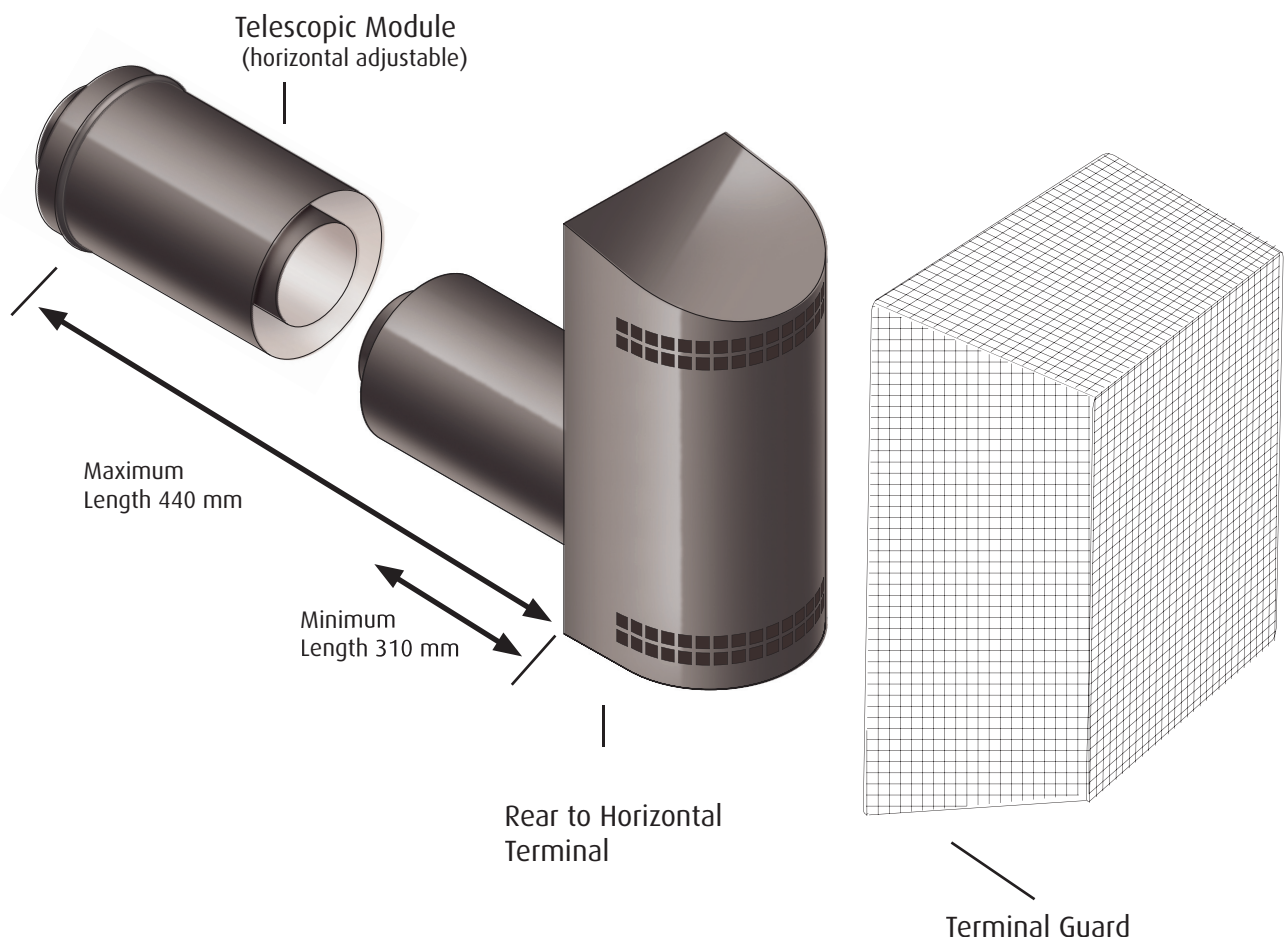
Page Number 10

### Rear to Horizontal Low-Level Flue Kit

Flue Diameter 150 mm (part number MS91097)

- suitable for the Harmony 15 and 25 and Stanford 15 and 25 range of stoves

#### Standard Kit



# Technical Specification Bulletin Number TB200

Fuel Type  
Gas B/Flue

Date of Issue  
6 October 2005

Edition  
2



The Stove Company

## Balanced Flue Kits and Additional Flue System Options

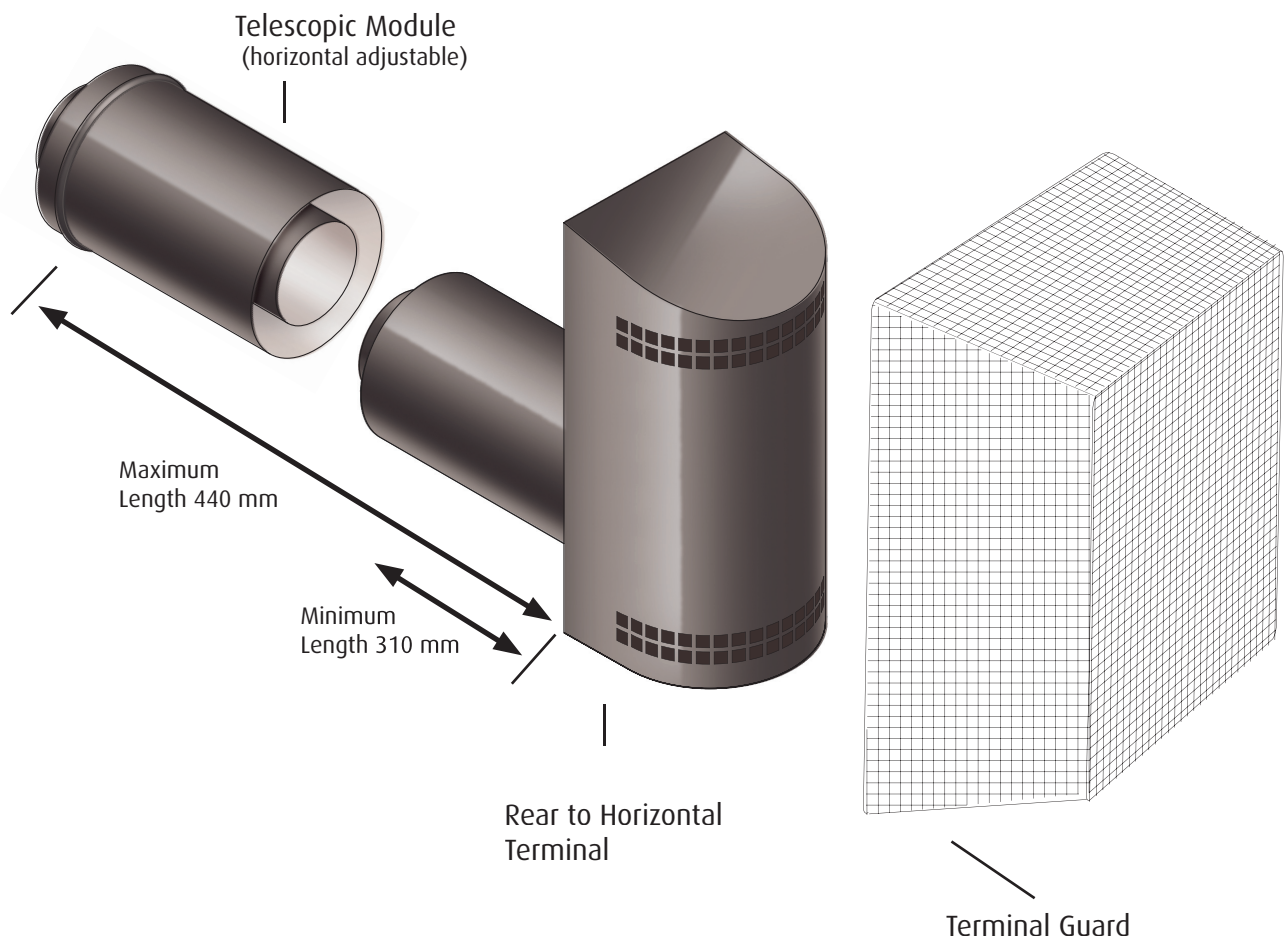
Page Number 11

### Rear to Horizontal Low-Level Flue Kit

Flue Diameter 180 mm **(part number MS91098)**

- suitable for the Harmony 35 and 45 and Stanford 35 and 45 range of stoves

#### Standard Kit



# Technical Specification Bulletin Number TB200

Fuel Type  
Gas B/Flue

Date of Issue  
6 October 2005

Edition  
2



The Stove Company

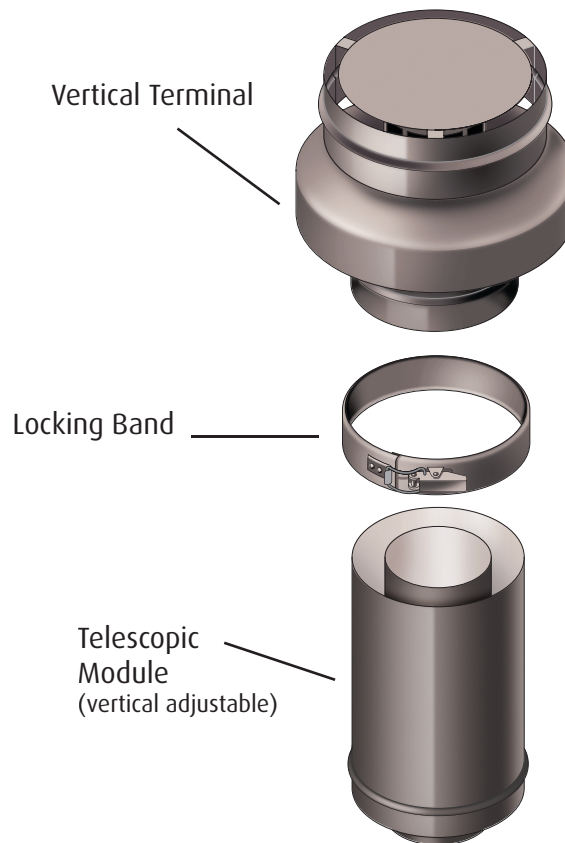
## Balanced Flue Kits and Additional Flue System Options

Page Number 12

### Top to Vertical High-Level Flue Kit Components

Flue Diameter 150 mm **(part number MS91100)**

- suitable for the Harmony 15 and 25 and Stanford 15 and 25 range of stoves



# Technical Specification Bulletin Number TB200

Fuel Type  
Gas B/Flue

Date of Issue  
6 October 2005

Edition  
2



The Stove Company

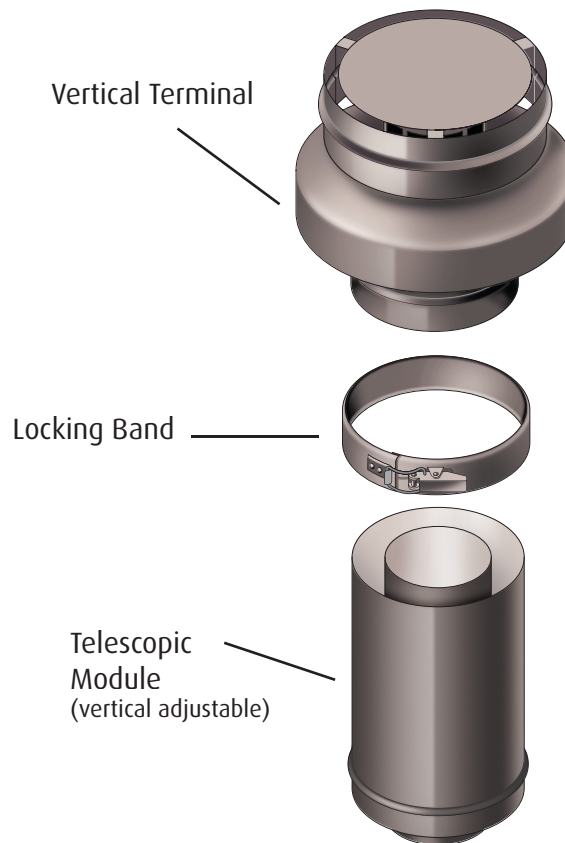
## Balanced Flue Kits and Additional Flue System Options

Page Number 13

### Top to Vertical High-Level Flue Kit Components

Flue Diameter 180 mm **(part number MS91101)**

- suitable for the Harmony 35 and 45 and Stanford 35 and 45 range of stoves



# Technical Specification Bulletin Number TB200

Fuel Type  
Gas B/Flue

Date of Issue  
6 October 2005

Edition  
2



The Stove Company

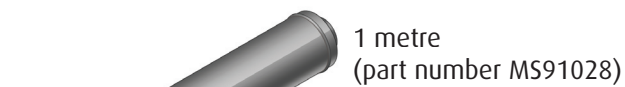
## Balanced Flue Kits and Additional Flue System Options

Page Number 14

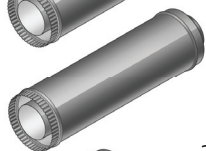
### Additional Flue System Options

#### Flue Diameter 150 mm

- suitable for the Harmony 15 and 25, the Stanford 15 and 25 and the Harmony 5 and Stanford 50 range of stoves



1 metre  
(part number MS91028)



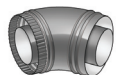
500 mm  
(part number MS91029)



250 mm  
(part number MS91030)



90 degree  
(part number MS91031)



45 degree  
(part number MS91054)



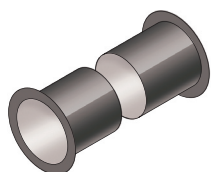
Locking Band  
(part number MS91058)



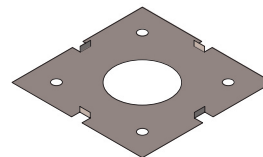
Wall Band  
(part number MS91052)



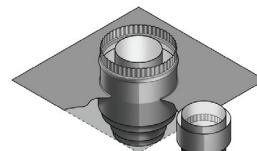
Closure Bezel  
(part number MS91033)



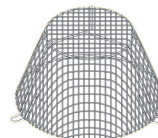
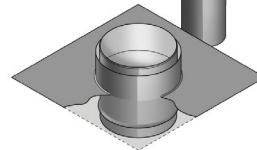
Sleeve Liner  
(part number MS91065)



Ceiling Support  
(part number MS91056) and  
Fire Stop Spacers  
(part number MS91044)



Existing Chimney Adaptor Kit  
(part number MS91085)



Terminal Guard - suitable for  
High-Level Top to Horizontal  
and Top to Vertical Kits only  
(part number FP767)

# Technical Specification Bulletin Number TB200

Fuel Type  
Gas B/Flue

Date of Issue  
6 October 2005

Edition  
2



The Stove Company

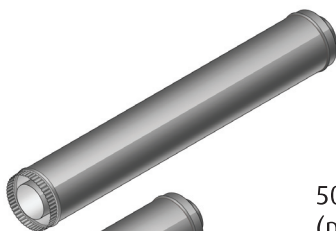
## Balanced Flue Kits and Additional Flue System Options

Page Number 15

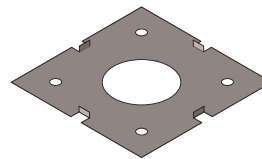
### Additional Flue System Options

#### Flue Diameter 180 mm

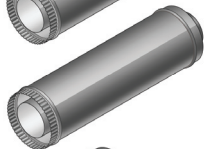
- suitable for the Harmony 35, Harmony 45 and Harmony 8 and Stanford 80 range of stoves



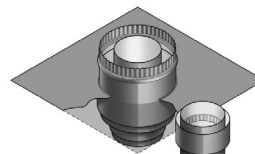
1 metre  
(part number MS91034)



Ceiling Support  
(part number MS91057) and  
Fire Stop Spacers  
(part number MS91059)



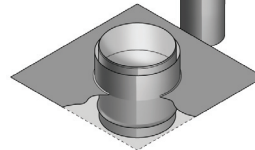
500 mm  
(part number MS91035)



Existing Chimney Adaptor Kit  
(part number MS91086)



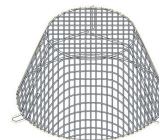
250 mm  
(part number MS91036)



90 degree  
(part number MS91037)



45 degree  
(part number MS91055)



Terminal Guard - suitable for  
High-Level Top to Horizontal  
and Top to Vertical Kits only  
(part number FP767)



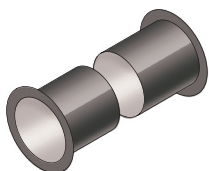
Locking Band  
(part number MS91043)



Wall Band  
(part number MS91053)



Closure Bezel  
(part number MS91040)



Sleeve Liner  
(part number MS91066)