

Dovre 700CBW Cast Iron Wood Stove



INSTALLATION INSTRUCTIONS 700CBW

Before commencing with the installation it is important that these instructions are read and fully understood.

The DOVRE 700CBW is a specially designed stove for burning wood only and has been tested and approved by the U.S. Environmental Protection Agency (EPA) in accordance with their stringent woodstove emission limits. It is essential that the wood used is well seasoned (min 2 years) and has a maximum moisture content of 20%. If unseasoned wood is used, heat outputs will not be obtained and serious damage will occur in the chimney and flueways. The DOVRE 700CBW incorporates a high technology combustion system to provide high efficiencies and low atmospheric pollution

The dimensions of your new stove are illustrated in fig 1. Be careful to ensure that your fireplace is going to accept the appliance and that you have allowed for 30cms of hearth space in front of the stove.

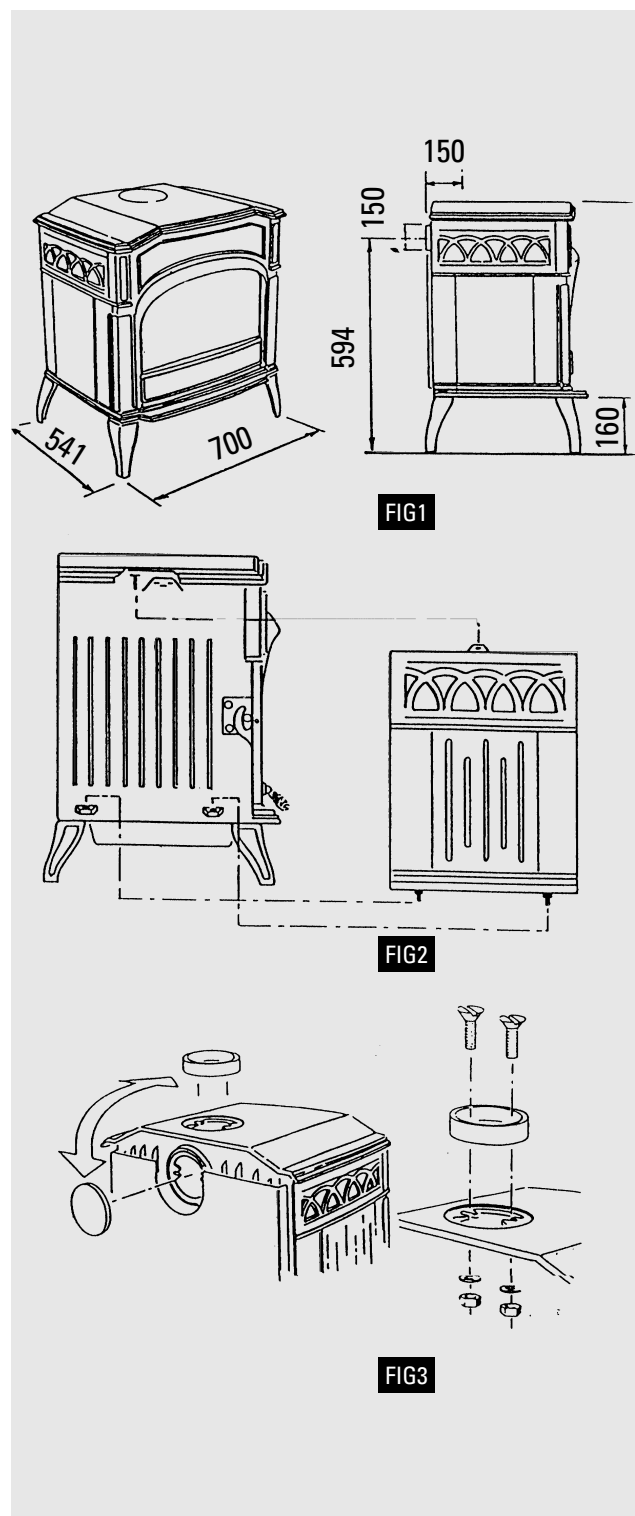
REGULATIONS

CHECK THAT YOUR INSTALLATION WILL BE IN COMPLIANCE WITH CURRENT BUILDING REGULATIONS.

ASSEMBLY

As the Dovre 700CBW is constructed from heavy cast iron, it is advisable for two people to assemble and position the appliance.

- 1** Open the stove door and remove all loose parts within.
- 2** To assist with lifting, remove the side panels by lifting and disengaging from the bottom and top pins. see fig 2.
- 3** Carefully lift the appliance from the wood pallet, taking care not to slide or tilt the unit, and place in position on the hearth.
- 4** Refit the side panels by firstly engaging in the top pins and then positioning on the bottom pins.
- 5** For a top flue connection, attach the circular cast iron collar to the aperture located at the top of the appliance, using the nuts, bolts and washers supplied. Use a small amount of fire cement to ensure an air tight seal before fixing. For a rear flue connection, adopt the same procedure using the rear aperture. Fit the cast iron circular cover plate to the unused aperture again using a small amount of fire cement as a seal. The cover plate is attached using the fixing bar and nuts and bolts supplied. refer to fig 3.
- 6** Fit the front ash lip using the two 8mm x 30mm hex headed bolts supplied. see fig 4.



DOVRE 10 YEAR WARRANTY

If the castings on this appliance should prove to be defective within ten years of the purchase date, the faulty castings will be replaced free of charge, subject to the following conditions.

1. The purchaser shall complete the registration section below and return it within seven days of purchase. Failure to return the registration could result in delays in processing any claims.
2. The appliance shall have been installed in compliance with the installation instructions.
3. The appliance shall not have been used for the burning of unseasoned wood.
4. This warranty only applies to the appliance body castings and does not include renewable components including grates, ashpans, glass, seals and baffle plates.
5. This warranty does not cover site visits and any claims should be notified to your dealer.

This warranty does not affect the Statutory Rights of Consumer Purchasers.



Please complete and return this section within seven days of purchase to:
Dovre Castings Ltd, Weston Works, Weston Lane, Tyseley, Birmingham B11 3RP.

NAME:

ADDRESS:

TELEPHONE NUMBER:

MODEL:

DATE OF PURCHASE:

DEALER:

CLEANING & MAINTENANCE

DOOR GASKETS

The fibre door gasket around the inside edge of the door provides an air tight seal. Check this regularly and remove any ash or wood particles gently with a soft brush. Replace the gasket once a year.

STOVE BODY

To clean, use a soft brush. The stove body can be repainted or touched up using Dovre high temperature resistant stove paint.

GLASS

You may notice a build up of deposits on your glass particularly if the stove has been used for long periods at low temperature. A hot brisk fire will normally cure this problem but if the problem persists, check the quality of your wood and/or chimney. It is always recommended to run your stove hard, after an overnight burn. From time to time, the glass can be cleaned using Dovre CERACLEAN. Never use water or abrasive pads to clean the glass-especially whilst the glass is hot.

ANNUAL MAINTENANCE

At the end of the heating season, thoroughly clean the inside of the stove and adjoining flue pipe.

Arrange for your chimney sweep to inspect and clean the chimney.

TROUBLE SHOOTING

SMOKE EMISSION

If smoking occurs when the stove door is opened, it is a sign that the flue draught is inadequate. Mostly this condition is caused by burning unseasoned wood and it usually indicates that the combustion temperature is too low. To overcome a weak draught, ensure your wood is dry and build a hot fire, leaving the air control lever in the fully open position. If the problem persists, arrange for your chimney to be expertly checked for design or construction faults. In some instances, down draught conditions will exist and it may be necessary to fit an anti down draught device to the top of the chimney.

FIRE DOESN'T BURN OVERNIGHT

This is usually caused by either,

- WOOD WHICH IS TOO SMALL IN DIAMETER
- THE USE OF SOFTWOODS
- EXCESSIVE CHIMNEY DRAUGHTS
- DOOR GASKET SEAL WORN OUT

Use only hardwood logs approximately 10cms in diameter and close the air control to the fully closed position. As chimney draughts vary with different installations it will be necessary to experiment with the position of the air control when set for overnight burning. The normal time on a full load of hardwood is approximately 8 hours.
NOTE: If the appliance is operated for overnight burning, the glass will not stay clean.

DOOR ADJUSTMENT

see fig 5.

The door of the Dovre 700CBW is fully adjustable to ensure air tightness and correct alignment. To make adjustments, use the following procedure.

Loosen the two hex headed screws located on the right outside front of the firebox. To achieve a tighter door seal, the adjustable hinge plate may be moved forward or backward from the top and/or bottom. Horizontal adjustment can be made firstly by loosening the two hex headed screws on the hinge plate followed by adjusting the set screws. Tightening the top screw will raise the door if it sags and does not latch smoothly. Loosening the top screw will lower the opposite edge if the door is too high. Adjusting both set screws will re-position the door to the left or right for correct alignment.

After adjustments have been made, tighten the two hex headed screws on the hinge plate, taking care not to over tighten.

The door latch may be adjusted in a similar manner.

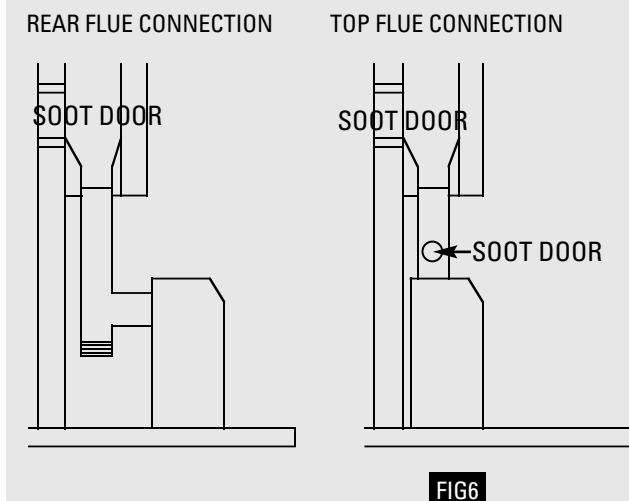
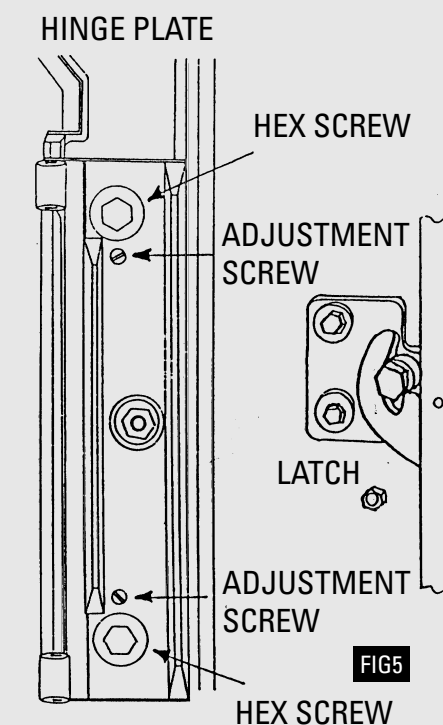
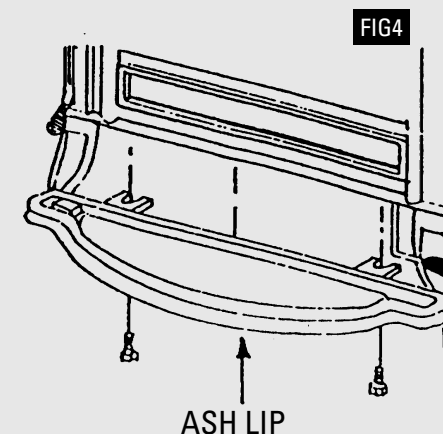
INSTALLATION

HEARTH REQUIREMENT

The positioning of the appliance and the size and type of hearth are governed by Building Regulations for Class 1 appliances. The Building Regulations state that the hearth must extend at least 30cms to the front of the appliance and 15cms to the sides. If in doubt, expert advice should be sought from your local building inspector.

CONNECTION TO THE CHIMNEY

If an existing masonry chimney is installed, the appliance should be connected to the chimney using 150mm diameter 316 grade 1mm stainless steel or good quality vitreous enamel flue pipe. It is important to ensure that the connection to the chimney is carried out in such a way that any soot or ash is allowed to fall unhindered back into the appliance or flue T-section. see fig 6.



ACCESS FOR SWEEPING CHIMNEY

The chimney should be checked and swept at least once a year and it is important to allow provision for gaining access to the chimney. On masonry chimneys, a standard soot door, obtainable from your Dovre dealer can be used. On other factory made chimneys, it is important to ensure an access cleaning door is provided. It is advisable to ensure that the connecting flue pipe to the chimney has an access door fitted. This will allow access to inside the appliance between the top secondary air distribution unit and top plate. An access door close to the appliance will also facilitate the use of a vacuum cleaner to ensure clean appliance maintenance.

THE CHIMNEY

The chimney must be in good condition and free from cracks and blockages. If the existing chimney is unlined, it is advisable to install a flue liner suitable for use with Class 1 appliances, with an internal diameter between 175mm and 200mm. Your Dovre dealer can advise further on this subject.

The chimney is responsible for ensuring the flue gases and smoke are taken away from the appliance.

IF THE APPLIANCE EMITS SMOKE INTO YOUR ROOM, IT IS NOT THE FAULT OF THE APPLIANCE. THERE WILL EITHER BE A STRUCTURAL OR DESIGN FAULT IN THE CHIMNEY OR A LACK OF VENTILATION IN THE ROOM.

If an existing chimney is not available, it is possible to install a pre-fabricated factory chimney system. Your Dovre dealer will provide further information.

It is important to ensure that the chimney structure and design comply with Current Building Regulations for Class 1 appliances.

THE MINIMUM DRAUGHT REQUIREMENT FOR THE DOVRE 700CBW IS .06" WATER GAUGE.

Too much draught will cause excessive heat outputs and fuel consumption. Inadequate draught may cause smoke emission to the room and poor combustion resulting in a build up of tar and creosote deposits on the glass and inside walls of the appliance and the chimney.

OPERATION

The most important factor for avoiding problems with any woodstove is to avoid the formation of tar and creosote build up. Your Dovre 700CBW incorporates advanced technology and it's design will ensure that, provided it is used correctly and that attention has been paid to the chimney installation, these problems will not occur.

IF UNSEASONED WOOD IS USED YOUR APPLIANCE MAY NOT FUNCTION CORRECTLY

HOW TAR IS FORMED

A build up of tar within the stove and/or chimney is caused by burning wood at very low temperatures i.e. burnt slowly. The condition is much worse if the wood is not seasoned properly and contains a high moisture content. If the fire is burned at low temperature, the chimney will be cold. Cold chimneys do not work and difficulty occurs with the cold chimney trying to expel the flue gases and smoke. As a result, the gases condense on the walls of the chimney and these gases become creosote or tar. Creosote build up is dangerous and most chimney fires are caused as a result.

IT IS ESSENTIAL TO USE WELL SEASONED WOOD AT ALL TIMES.

LIGHTING THE STOVE

Ensure the ash grate is in the closed position (slide to the right) and that the air control lever is in the fully open position. see figs 7 & 8.

Lay a few firelighters (or old newspaper) on the base of the stove. Spread a good quantity of kindling wood, preferably to cover the whole base of the stove. Light the fire and close the door. For the first few minutes, it is advisable not to close the door completely. Leave the door 1 or 2cms from the fully closed position until the fire is blazing brightly, then close the door fully. It is important to heat up the chimney quickly, to ensure that a good hot fire bed is established before adding further fuel.

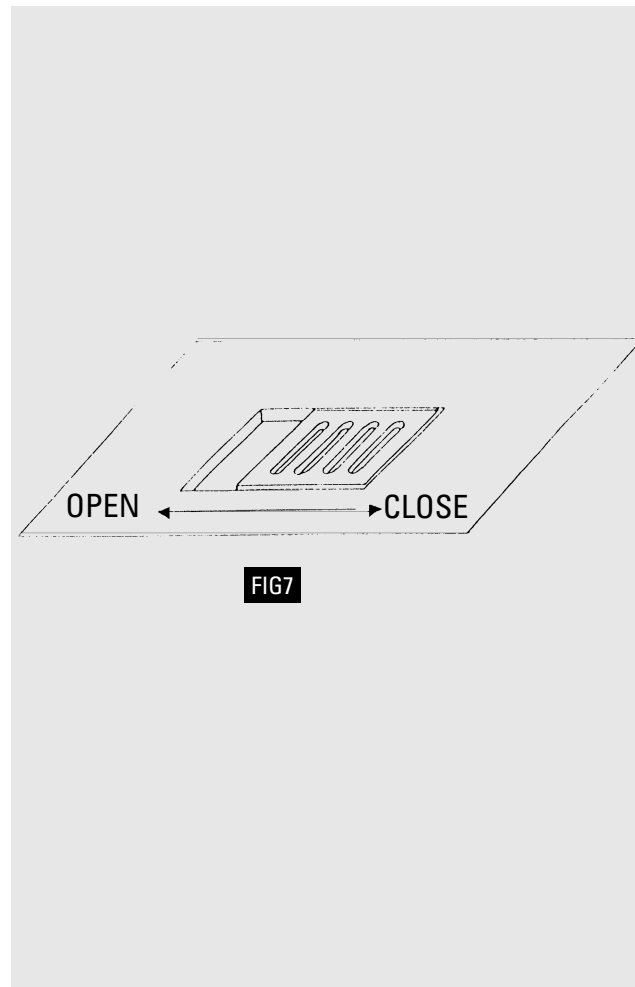


FIG7

ADDING FUEL

Your wood should ideally be 45 to 49cms in length with a diameter of between 5 and 10cms.

It is good practice, before adding fuel, to separate the ashes from the hot wood embers. To do this, use a fireplace scraper tool to push the ashes to the rear of the stove and pull the hot embers of wood to the front of the stove close to the air inlet. This will help to ensure a faster response with the combustion.

When adding fuel, load two or three logs of the dimensions given above, close the door and fully open the air control. see fig 8.

ADJUSTING HEAT OUTPUT

Once the fire has been well established, you can reduce the heat output by pushing the air control lever (fig 8) to the left. Start by moving the lever about 6mm at a time. With experience, you will soon find the best position most suited to your own installation. The air settings will vary on different installations, depending on the type of wood being used and the draught the chimney is able to produce.

During the first few hours of use, your stove may give off an unpleasant odour as the high temperature paint is cured. This is normal, so don't be alarmed as the condition only occurs during the first period of use.

ASH REMOVAL

Open the ash grate by sliding to the left see fig 7. Use a fireplace scraper tool to work the desired amount of ash through the grate into the ashpan.

When removing ashes from a hot fire bed, try to ensure that some of the hot embers remain in the stove as this will facilitate re-lighting.

NEVER LET THE ASHPAN OVERFILL. There should always be a good air space between the top of the ashpan and the underside of the grate. Failure to do this will cause premature deterioration of the grate and will make it difficult to empty the ashpan.

To remove the ashpan, open the ashpit door by turning the lever to the left (see fig 9) and carefully remove the ashpan using the handle provided. Ashes must be disposed of carefully and it is a good idea to purchase an ash carrying box for this purpose. Your Dovre dealer will normally be able to supply a suitable ashpan carrier box.

After replacing the empty ashpan in the ashpit compartment, ensure the ashpit door is fully closed by turning the lever to the right. see fig 9.

MANAGING YOUR WOOD SUPPLIES

If you are buying wood from a log merchant, try to ensure that the wood has been seasoned for at least 2 years. 3 years is even better. The wood should preferably be cut to lengths of 40 to 49 cms and split to a width of between 5 and 10cms.

Store your wood under cover to protect from rain but ideally, the wood should be stored in a place where the wind can be allowed to freely ventilate the stack.

Try to obtain hardwoods such as oak, elm, beech or ash. These woods will provide more calorific value per cubic metre than softwoods.

NEVER BURN COAL, CHEMICALS OR PAINTED WOOD ON YOUR DOVRE 700CBW.

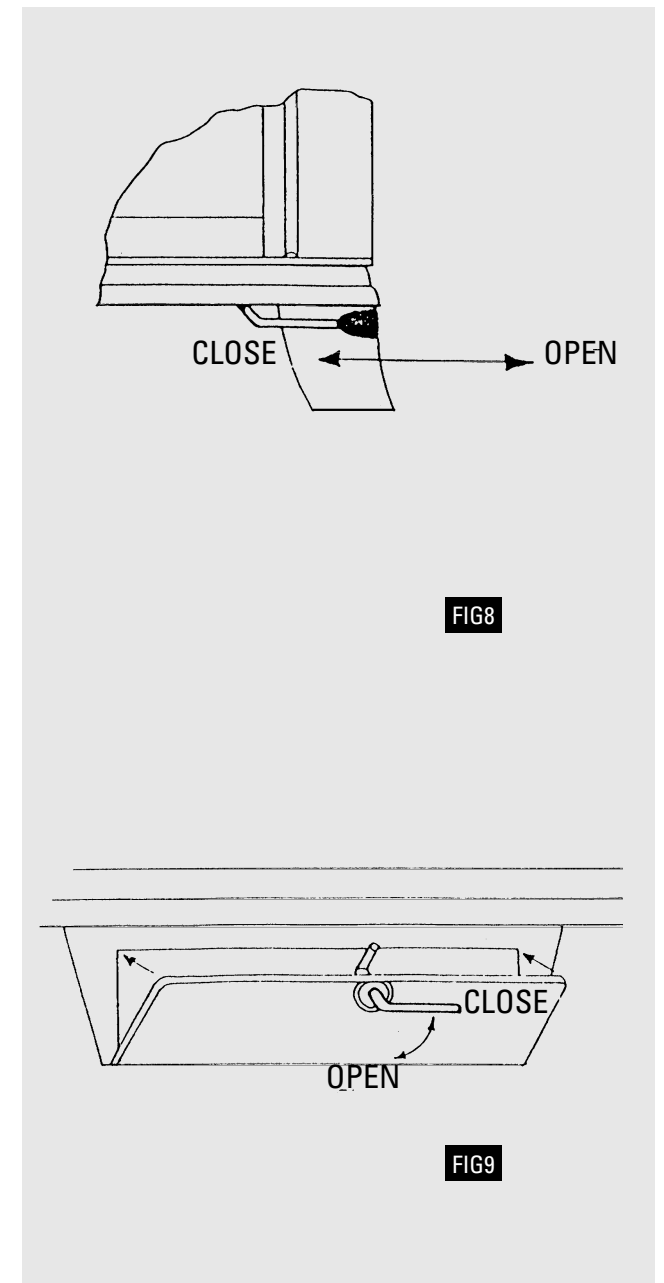


FIG8

FIG9



Unit 1, Weston Works, Weston Lane, Tyseley, Birmingham B11 3RP.

Tel: 0121 706 7600. Fax: 0121 706 9182.

E-mail: enquiries@dovre.co.uk

Web site: www.dovre.co.uk