

Dovre 500e Electric Cast Iron Stove Installation and Operating Manual





Dovre 500e Electric Cast Iron Stove Installation and Operating Manual

These instructions should be read carefully and saved by the user for future reference

CONTENTS

Product information	
SECTION 1	PAGE 2
Installation instructions	
SECTION 2	PAGE 3
Safety Checks	
SECTION 3	PAGE 4
Instructions for use	
SECTION 4	PAGE 5
Lamp Replacement	
SECTION 5	PAGE 6
Maintenance	
SECTION 6	PAGE 6
After Sales Service	
SECTION 7	PAGE 7
Spare parts	
SECTION 8	PAGE 7



1. PRODUCT INFORMATION

1.1. General characteristics

ReferenceDovre 500 ELEC
 Maximum output2kW
 Net weight70kg

1.2. Description

Cast iron heating appliance incorporating a coal effect insert powered by 2 x 40 watt lamps, a small low wattage motor and a 2kW fan appliance.

1.3. Principle of operation

The appliance is operated from a concealed control panel located behind the lower door. The built in fan appliance is thermostatically controlled with outputs of 1 or 2 kW. The appliance may be used with the fan appliance in the on or off position whilst the flame effect is switched on.



2. INSTALLATION INSTRUCTIONS

2.1. Prior to Installation

Before commencing with the installation of your Dovre appliance, it is recommended that these instructions are read and clearly understood.

WARNING!

AS THE APPLIANCE IS CONSTRUCTED FROM REAL CAST IRON, WHICH IS HEAVY, PARTICULAR CARE SHOULD BE TAKEN WHEN LIFTING THE UNIT. GLASS IS BREAKABLE! EXTRA CARE SHOULD BE TAKEN TO AVOID ACCIDENTS AND BREAKAGE.

2.2. Unpacking and Assembly.

Carefully remove all packing materials including wooden pallet. Care should be taken to read any warning labels supplied. Retain all packaging material

until you are satisfied that the installation has been completed.

Identify the separate packages containing the loose coals, ashlip and plastic glove.

Position the appliance in the required location.

The ashlip is secured by two 10mm bolts which can be located underneath the front casting.

Place the coal pack on a suitably protected surface in front of the appliance. To protect your hand use the plastic glove provided when handling the coal pack or loose coals.

Open the glass door (See *fig 1*).

Place the individual coals on the plastic fuel effect base. (See *fig 1*) The smaller pieces should be placed at the front and the remaining coals arranged evenly over the surface. Ensure that the rear-most pieces are resting against the glass-viewing screen.

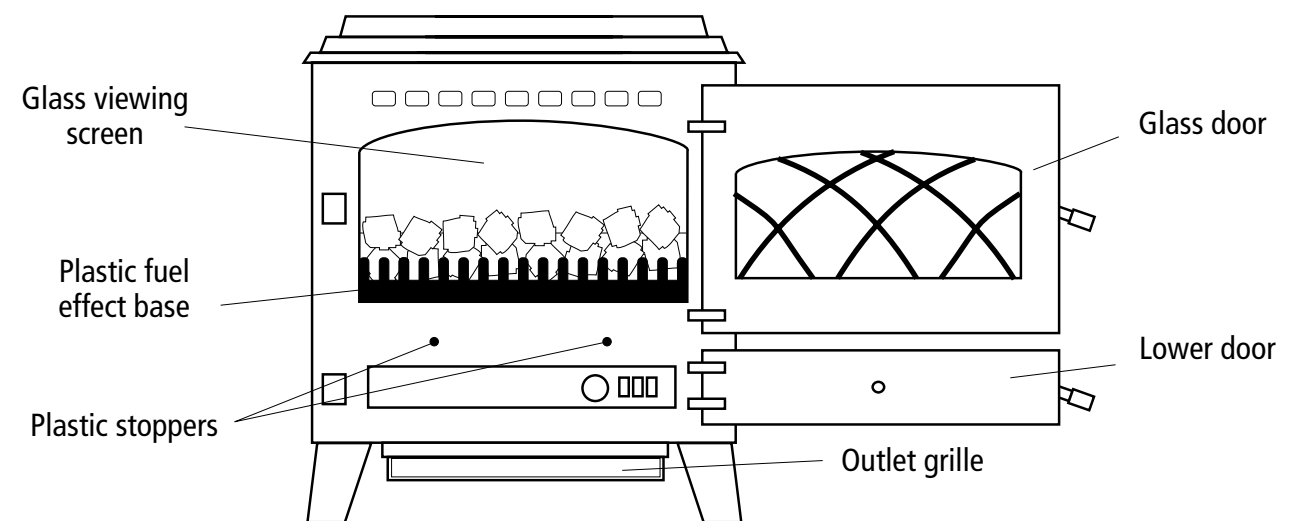


fig 1

2.3. Preparing the unit for use

The appliance must only be used on an supply and the voltage marked on the appliance must correspond with the supply voltage. Your Dovre appliance is fitted with a re-wireable plug incorporating a 13-amp fuse. When replacing the fuse, ensure that a 13-amp fuse approved by ASTA to BS1362 is used.

WARNING: THIS APPLIANCE MUST BE EARTHED

IMPORTANT: in the event of the plug fitted being unsuitable for your socket, the 13-amp plug should be removed.

Before wiring the appropriate plug, the following codes should be noted: (see *fig 2*)

- E. Earth** - Green-Yellow
- L. Live** - Brown
- N. Neutral** - Blue

- BLUE - NEUTRAL**
- BROWN - LIVE**
- GREEN & YELLOW - EARTH**

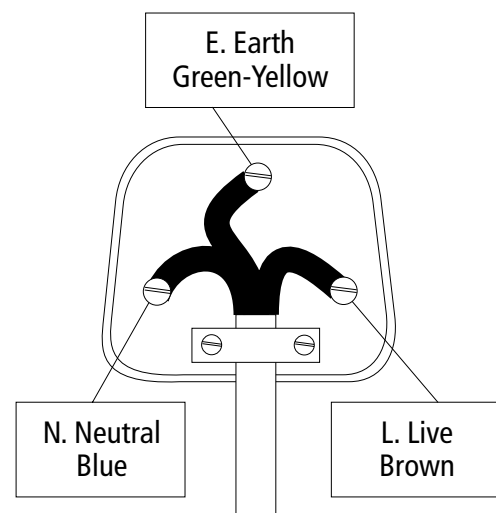


fig 2

If the wire colours in the main leads of your Dovre appliance are different to the coloured marking identifying the terminals on your plug, proceed as follows:

- Connect the **GREEN** or **GREEN & YELLOW** wire to the plug terminal marked **E** or the earth symbol
- Connect the **BLUE** or **BLACK** wire to the plug terminal marked **N**.
- Connect the **BROWN** or **RED** wire to the terminal marked **L**.

If a 3 pin 15amp plug is used this should be protected by a 15amp fuse either in the plug or adapter or at the distribution board. If in doubt consult your Electricity Board or a competent electrician. Your appliance is now ready for use and may be plugged into a wall socket.

Before switching on, please read the safety advice and operating instructions.

3. SAFETY CHECKS

- The appliance must not be used outdoors.
- The appliance must not be located beneath an electric connection box or fixed socket outlet.
- The appliance must be positioned so that the plug is accessible.
- The appliance must not be connected to a programmer, thermal controller or any timing device, which controls the appliance automatically.

IN THE EVENT OF A FAULT UNPLUG THE APPLIANCE

There are a number of important safety precautions to observe when using an electric appliance. By carrying out the following safety checks, the risks of appliance failure, injuries and electric shocks are avoided.

If the appliance is damaged, do not install and report the damage immediately to your supplier.

Operation

- The appliance must not be used in bathrooms, shower rooms or swimming pool areas.
- The appliance must not be used to dry clothes. Do not place any materials on the appliance.
- The air circulation must not be obstructed by curtains or other fabrics, causing the unit to overheat thereby creating a risk of fire. Ensure that furniture, curtains or other combustible material are positioned NO closer than 1 metre from the appliance.

■ Do not leave children with access to the appliance. Ensure that young children are not left unsupervised in the vicinity of the appliance.

■ The appliance should be unplugged from the socket if not required for use for long periods of time.

■ The supply cord should not be allowed to be in front of the appliance.

■ Although this appliance complies with safety standards, we do not recommend its use on deep pile carpets or long hair rugs.

4. INSTRUCTIONS FOR USE

OPERATING THE APPLIANCE

Connect the appliance to your electric supply.

The controls are located behind the lower door (see *fig1* page 3).

Flame Effect

Press switch to the **ON** position. (A switch is in the **ON** position when the red indicator mark on the switch is visible). The flame effect will now operate.

Heating Unit

You have a choice of low heat (1kW) or high heat (2kW) output.

Both settings have thermostat temperature control.

In order to operate heating, switch must be in the **ON** position (see *fig 3*)

Low Heat Setting

With switch in the **ON** position, press switch to **ON**.

The 1kW heat output is controlled by the thermostat, which should be set to maximum (see Thermostat operation).

High Heat Setting

With switches and in the **ON** position, press switch to **ON**.

The 2kW heat output is controlled by the thermostat, which should be set to maximum (see Thermostat operation).

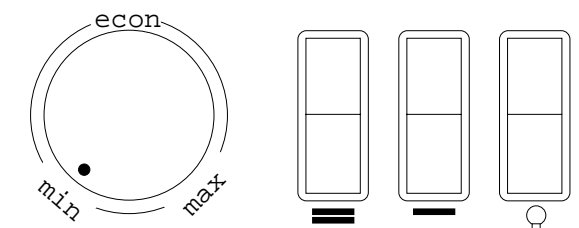


fig 3

Thermostat Operation

The thermostat controls the heat output according to the room temperature. This ensures that the appliance will not produce heat unnecessarily when the room is warm.

To set the temperature you require, turn the thermostat knob fully clockwise to max position. When the room is warm enough, turn the knob back slowly until the thermostat just clicks off. The appliance will now maintain your selected temperature.

Note: Once the thermostat has switched the appliance OFF it may take some time before the appliance comes back on. This does not mean that the appliance is faulty.

Thermal Safety Cut-out

A thermal safety cut-out is incorporated in the appliance to prevent damage due to overheating.

This can happen if the heat outlet is restricted in any way. The appliance will switch on once the obstruction has been removed and the appliance has cooled. If the cut-out continues to operate intermittently, the appliance should be switched off and a service agent contacted.

WARNING: ALWAYS DISCONNECT FROM THE POWER SUPPLY BEFORE ATTEMPTING ANY MAINTENANCE.

5. LAMP REPLACEMENT

The Coal Effect lamps can be replaced by removing the 2 self tapping screws located at the front of the effect (see **fig 4**). The screws can be accessed by removing 2 plastic stoppers situated between the glass door and the lower door (page 3 **fig 1**) and inserting a small Pozidrive screwdriver through the front casting locating the self tapping screws.

Lift the fuel effect up lightly to clear the ledge at the base of the glass viewing screen, tilt one end up first and then lift the fuel effect out of the appliance casing.

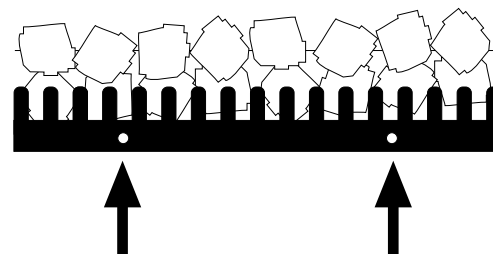


fig 4

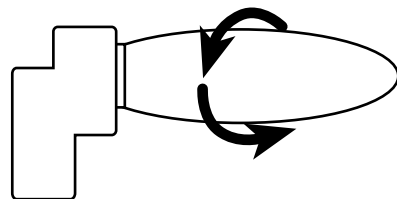


fig 5

Carefully rotate the lamp anti-clockwise until it comes out of its holder (see **fig 5**)

Replace the defective lamp with a 240V, 40 watt E14 SES clear candle lamp, rotating the lamp clockwise in the holder until it is fully home. Do not over-tighten.

Refit the fuel effect complete with fixing plugs, ensuring that the rear edge locates on the ledge at the base of the glass viewing screen, then refit the coals (see page 3).

6. MAINTENANCE

6.1. CLEANING

Before commencing cleaning, unplug the appliance and allow it to cool.

The surface of the appliance should be given an occasional wipe over with a soft brush. A number of suitable cast iron stove polishes are available from your Dovre Dealer.

The glass screen should be cleaned carefully with a chamois leather **DO NOT** use proprietary glass cleaners.

To remove the accumulation of dust or fluff the soft brush attachment of a vacuum cleaner should occasionally be used to clean the outlet grille of the fan appliance located under the stove (see page 3 **fig 1**).

To clean the fuel effect, remove and wash the coal pieces in warm water. The plastic tray should be wiped clean with a damp cloth. When dry replace the coal pieces and arrange as previously described for best effect.

7. AFTER SALES SERVICE

Your product is guaranteed for one year from date of purchase. We undertake to exchange or repair free of charge within this period, any part (excluding lamps) found to be defective due to a manufacturing fault.

Should you require after sales service, please get in touch with your Dovre Dealer.

Please do not initially return a faulty appliance or part of an appliance to us as this may result in transit damage and/or delay in providing service. Let your Dovre Dealer know your difficulty, quoting the model number and series letter of the appliance. We will then take the appropriate action.

8. SPARE PARTS

Spare parts are available from your Dovre Dealer. When ordering spare parts, specify the type and Serial number of the appliance.

9. 1 YEAR WARRANTY

If the appliance should prove to be defective within one year of the purchase date, the unit will be repaired free of charge, subject to the following conditions.

1. The purchaser shall complete the registration section below and return it within seven days of the purchase. Failure to return the registration could result in delays processing claims.
2. The appliance shall have been installed in compliance with the installation instructions.
3. This warranty does not cover site visits and labour charges.

This warranty does not affect the statutory rights of the consumer

Please complete and return this section within seven days of purchase to:
Dovre Castings Ltd, Weston Works, Weston Lane, Tyseley, Birmingham B11 3RP.

NAME: _____

ADDRESS: _____

TELEPHONE: _____

MODEL: _____

DATE OF PURCHASE: _____



Unit 1, Weston Works, Weston Lane, Tyseley, Birmingham B11 3RP.

Tel: 0121 706 7600. Fax: 0121 706 9182.

E-mail: enquiries@dovre.co.uk

Web site: www.dovre.co.uk