

Dovre 2000

Models 1800W • 2700W

2000MFR

INSTALLATION INSTRUCTIONS

TO BE LEFT WITH CUSTOMER



Dovre 1800W, 2700W and 2000MFR Cast Iron Fireplace Installation and Operating Manual

These instructions should be read carefully and saved by the user for future reference

- Never install appliance in tight fitting recess.
- The installation should not be back filled with any materials
- Free air space should be allowed to the back, sides and top of the appliance within the recess
- We recommend that older chimneys without flue liners are lined using a suitable liner of at least 200mm (150mm for Mini) diameter for use with solid fuel burning appliances.

REGULATIONS

IMPORTANT

Before commencing the installation of your Dovre appliance it is recommended that the instructions are read and clearly understood.

HEALTH AND SAFETY AT WORK ACT 1974

The installer should comply with the Health and Safety at Work Act 1974 and with particular reference to the following:-

HANDLING

Adequate facilities should be provided for handling the appliance.

GLASS

Extra care should be taken to avoid accidents and breakage.

FIRE CEMENT

Care should be taken to avoid fire cement contacting the skin. The material is caustic and in the event of contact being made, wash off immediately with clean water.

CURRENT BUILDING REGULATIONS AND RELEVANT CODES OF PRACTICE MUST BE OBSERVED.

ASSEMBLY

- 1 Remove all packaging materials
- 2 Remove all loose components including grates, ashpan, fuel retainers, baffle plate and fixings pack.
- 3 Fit the door knobs, door latch and air slides (see illustrations opposite)

- 4 For built in installations only. If a freestanding application with a canopy is required proceed to 5.

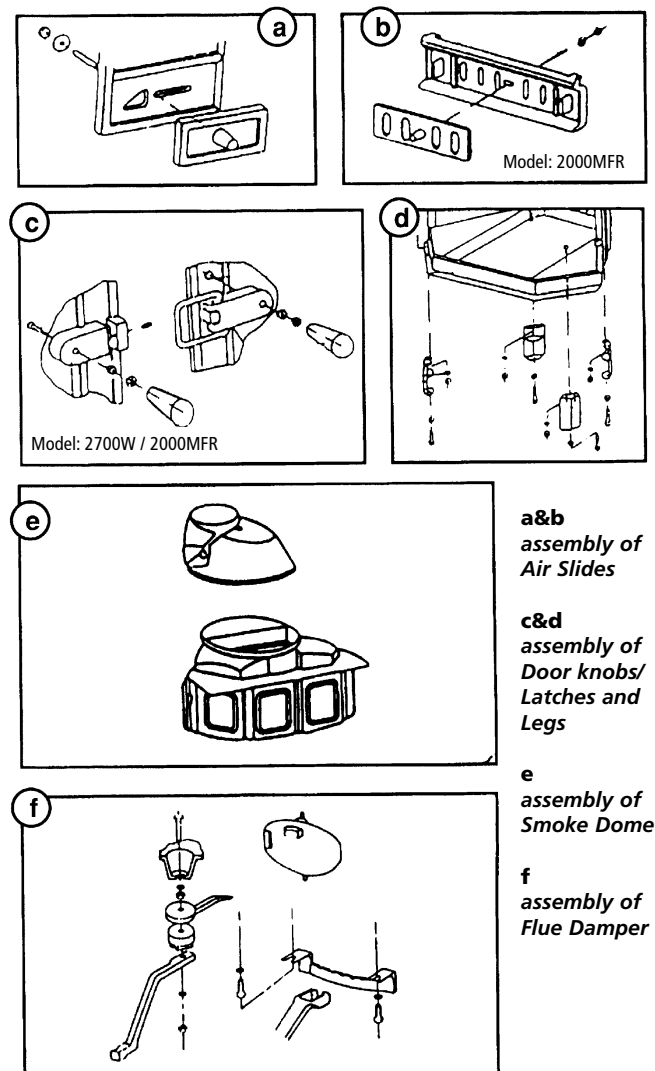
For convenience, place 2 pieces of 50mm square timber on the floor and lay the appliance on its back on the two timbers battens. Fit the 4 cast iron legs and levelling bolts.

NOTE: IF THE APPLIANCE IS GOING TO BE INSTALLED WITH A CANOPY IN A FREESTANDING SITUATION IT WILL NOT BE NECESSARY TO FIT THE LEGS.

Stand the appliance on a level surface in the upright position and adjust the levelling bolts to ensure the appliance is level side to side and front to back.

NOTE: THE DOORS ON YOUR DOVRE 2000 HAVE BEEN ACCURATELY FITTED IN OUR FACTORY. (SEE PAGE 3) IN CASE YOU DO FIND A PROBLEM IN OPERATING THE DOORS, REPORT BACK TO YOUR DEALER NOW. DO NOT ATTEMPT TO PROCEED WITH THE INSTALLATION. DOVRE CAN NOT ACCEPT RESPONSIBILITY FOR INCORRECT DOOR ALIGNMENT AFTER THE APPLIANCE HAS BEEN INSTALLED.

- 5 Fit the top dome, flue damper if required (see illustrations below) (2700W and 2000MFR models only) and the flue spigots using a small amount of fire cement on the joints.



APPLIANCE DOORS - IMPORTANT

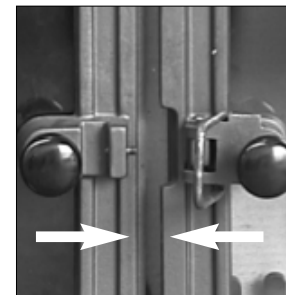


Fig.1

NOTE: The doors on your Dovre 2000 have been accurately fitted in our factory. In case you do find a problem in operating the doors, report back to your dealer now. Do not attempt to proceed with the installation. Dovre can not accept responsibility for incorrect door alignment after the appliance has been installed. Refer to page 2 of this manual.

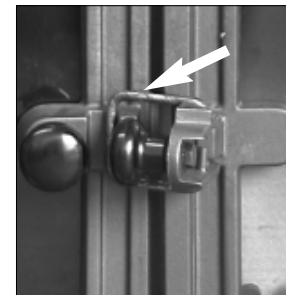


Fig.2

IMPORTANT: The following stages should be used when closing the doors on your Dovre 2000 stove

- 1 Pull both sets of doors together (see fig1).
- 2 Locate right hand side door catch over adjustable grub screw on left hand door (see fig2).
- 3 Holding door knob push left hand door.
- 4 While maintaining pressure on left hand door use right hand door knob to pull door towards you at the same time bringing both doors together (see fig3).

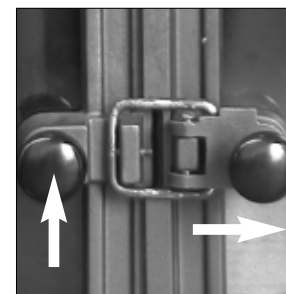
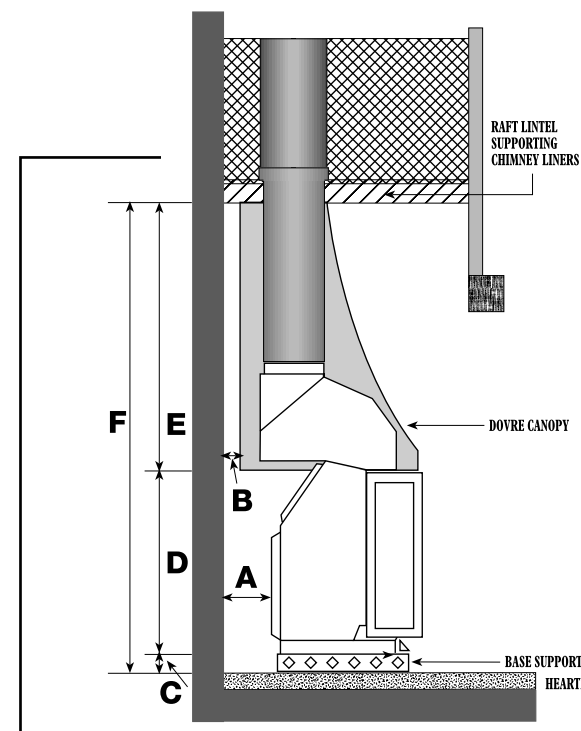


Fig.3



NOTE: Fixing brackets are supplied with the canopy but due to the variations in sizes of openings, it may be necessary to support the canopy with your own adapted bracket arrangements.

INSTALLATION

FREE-STANDING INSTALLATIONS WITH CANOPIES

This type of application is often for large inglenook fireplaces with wide chimneys. It is strongly recommended that a liner be fitted if the chimney is unlined.

There are two methods of installing the appliance on the hearth.

- 1 Appliance mounted on a Dovre Base Support (part ref MBP or SBP)
- 2 Appliance standing directly on the hearth

FOR FREE STANDING INSTALLATIONS IT WILL NOT BE NECESSARY TO FIT THE SET OF FOUR LEGS SUPPLIED.

STEP 1

Position the appliance in the inglenook allowing a minimum space of 100mm between the back of the appliance and the back wall of the inglenook (see illustration opposite).

STEP 2

Connect the appliance to the chimney using 316 grade 1mm thick stainless steel flue pipe. The pipe diameter should be 200mm min (150mm for 1800W mini series). If the flue damper has been fitted (2700W Standard and 2000MFR Super models only), it will be necessary to install a cleaning access door in the flue pipe or chimney. Your Dovre dealer will be pleased to advise on the best method to use.

ON NO ACCOUNT SHOULD THE WEIGHT OF THE FLUE LINERS BE CARRIED ON THE APPLIANCE. ALL FLUES AND FLUE LINERS MUST BE SUPPORTED INDEPENDENTLY OF THE APPLIANCE. FAILURE TO FOLLOW THIS INSTRUCTION WILL LEAD TO DISTORTION AND FRACTURING OF THE APPLIANCE CASTINGS.

STEP 3

Fit the canopy ensuring that a minimum distance of 15mm is allowed between the canopy and the back wall of the inglenook. This will allow the circulation of warm air into the room.

WHEN FITTED WITH CANOPY CM3 - CS3

	MINI	STANDARD	SUPER
A*	100	100	100
B*	15	15	15
C	75	75	75
D	410	625	695
E	950	1070	1070
F	1435	1770	1840

WHEN FITTED WITH CANOPY CM2 - CS2

	MINI	STANDARD	SUPER
A*	100	100	100
B*	15	15	15
C	75	75	75
D	410	625	695
E	700	685	685
F	1185	1385	1455

* Minimum Dimensions. All Dimensions in Millimetres.

INSTALLATION

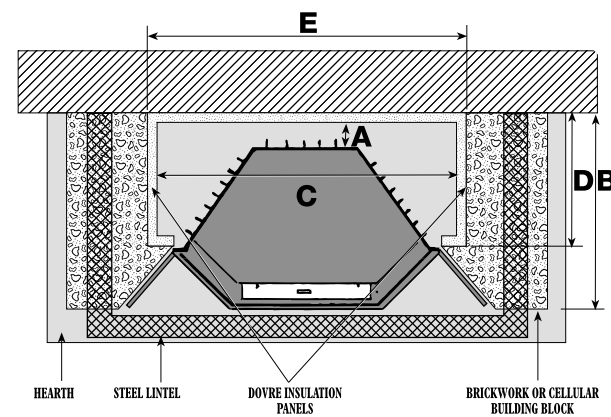
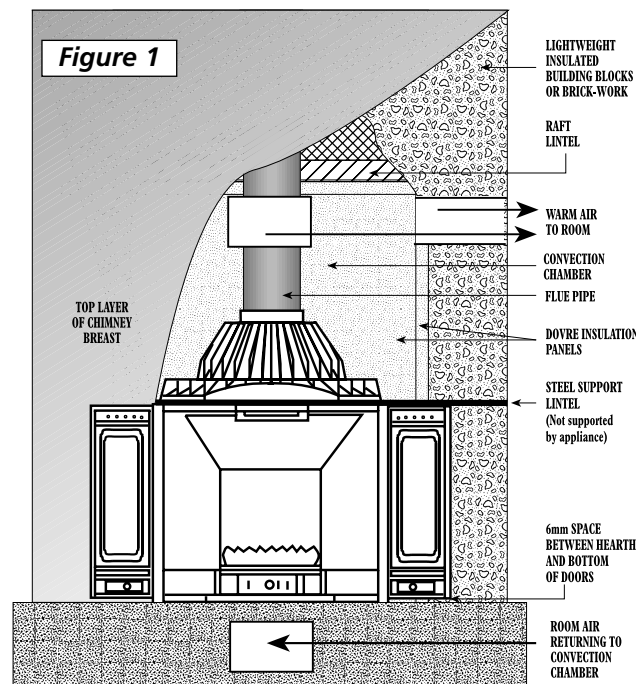


Figure 3

PLAN (TOP) VIEW

	MINI	STANDARD	SUPER
A*	100	100	100
B*	510	640	650
C*	630	760	760
D*	350	420	430
E*	690	820	820

BUILT-IN INSTALLATIONS

The appliance is designed to be built into a new or existing chimneybreast installation to provide efficient space heating with both radiant and convected heat. There must be sufficient space in the fireplace recess to allow air to circulate around to back, top sides and base of the appliance.

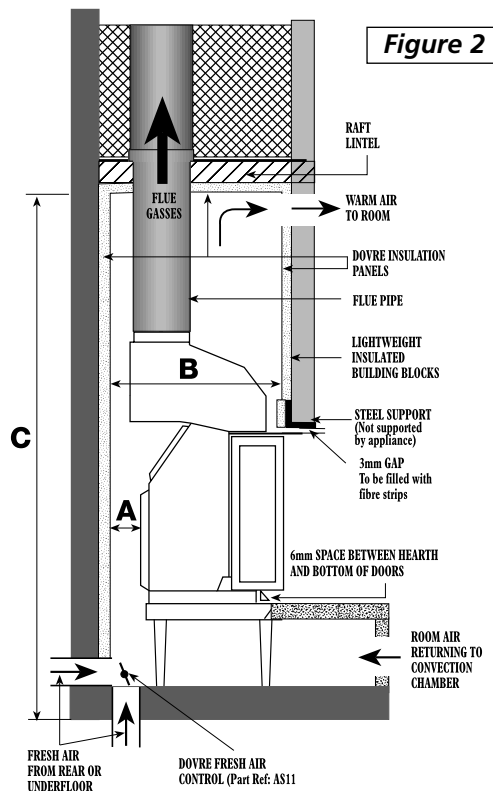
The example fig 1 shows how your Dovre should be installed in a chimneybreast recess for chimneybreasts situated internally and externally.

The recess should be formed using an appropriately designed raft lintel to support the existing structural brickwork and chimney. The minimum clearances between the appliance and walls are illustrated in figs 2 & 3.

PROCEDURE

1 Prepare the opening ensuring that adequate support is provided for the chimney and existing chimneybreast structure. A raft lintel, to form the top of the convection chamber, should be constructed. The lintel should be pre-formed with a clearance hole of 200mm (for the 1800W series, the clearance need only be 150mm or 180mm depending on the diameter of the flue pipe) to allow the connecting flue pipe to be installed. If the recess is too wide, reduce the width using 75mm thick building blocks.

2 Line the top, sides and back of the recess (convection chamber) using Dovre insulated panels. Fix the panels to the brickwork (aluminium face outwards) using masonry nails or other suitable fixings.



SIDE VIEW

	MINI	STANDARD	SUPER
A*	100	100	100
B*	510	640	650
C*	1160	1420	1570

3 If the fireplace is located on an outside wall, install a standard airbrick or Dovre air control damper (part number ASI) at floor level. For fireplaces located on inner walls, it will be necessary to bring an air supply from under the floor.

AN AIR SUPPLY IS PARTICULARLY IMPORTANT IN WELL-INSULATED ROOMS.

4 Stand the appliance in the recess and adjust the levelling bolts on the bottom of the legs to ensure the appliance is level and plumb.

5 Use a length of 316 grade 1mm thick stainless steel flue pipe or other pipe which complies with Current Building Regulations for the installation of solid fuel burning appliances, connected from the flue spigot on the appliance to the main chimney. See fig 2 page 4.

ENSURE THAT THE APPLIANCE DOES NOT DIRECTLY SUPPORT THE WEIGHT OF THE MAIN CHIMNEY OR CHIMNEY LINERS. THE FLUE LINERS MUST BE SUPPORTED BY INDEPENDENT BRACKETS.

Construct the hearth making sure that the design and structure complies with current Building Regulations.

The finished hearth surface (e.g. hearth tiles) should be approximately 6mm below the bottom of the doors. See fig. 2 page 4.

6 Construct the facing wall of the fireplace, using a lintel to support brickwork / masonry above the appliance.

NEVER BUILD DIRECTLY ONTO THE APPLIANCE.

50mm thick lightweight building blocks backed with Dovre insulation panels are ideal for constructing the facing wall of the convection chamber. See fig 2 & 3 page 4.

7 Install air grills, total minimum area 600sq.cm at the highest point of the convection chamber. Install air grills minimum area 400sq.cm as close to the floor level as possible. There is no restriction on the number of grills used.

Where the fireplace backs onto another room, or is situated in the corner of the room, backing onto two rooms, grills can be fitted in the adjacent rooms. In this case, it will also be necessary to fit a return air grill in the other room or rooms.

NEVER USE GRILLS MADE FROM PLASTIC OR OTHER COMBUSTIBLE MATERIALS.

MODELS WITH BACK BOILERS

The model 2000MFR is available with an optional glass lined boiler suitable for direct or indirect cylinders. The system must incorporate gravity circuit open to expansion. Pipework must be a minimum diameter of 28mm and must be installed to rise from the appliance.

IT IS RECOMMENDED THAT A QUALIFIED HEATING ENGINEER IS USED TO INSTALL HOT WATER MODELS.

THE CHIMNEY

The chimney is the key to the successful installation of your Dovre appliance. If the chimney is in poor condition or of the wrong design or construction, the performance of the appliance will be adversely effected and problems will be experienced with combustion and possible smoke emission to the room.

PLEASE SEEK THE ADVICE OF A CHIMNEY SPECIALIST IF IN DOUBT.

The chimney should be one of the following types:

- Brick built with suitable liner for use with woodburning and solid fuel appliances.
- Twin wall stainless steel approved for use with woodburning and solid fuel appliances.
- Prefabricated "concrete" type systems approved for use with woodburning and solid fuel appliances.

DO NOT USE FLEXIBLE LINERS DESIGNED FOR USE ONLY WITH GAS STOVES

CHIMNEY DIAMETER

MINIMUM 200MM (150MM FOR 1800)
INSIDE DIAMETER.

NEVER ALLOW THE APPLIANCE TO CARRY THE WEIGHT OF THE CHIMNEY.

FUELS

1800W SERIES / 2700W SERIES

Dry wood (minimum 2 years seasoned), Lignite briquettes (brown coal), dry peat, Homefire.

2000MFR SERIES

Dry wood (minimum 2 years seasoned), Lignite briquettes (brown coal), dry peat and most manufactured smokeless fuels.

LIGHTING AND OPERATION

- Place tightly rolled newspaper or firelighters on the grate of the appliance.
- Place a reasonable quantity of small pieces of dry kindling wood on top of the newspapers and 3 or 4 pieces of wood approx. 2.5 to 5cm in diameter on top of the kindling wood.
- Slide the lower and upper air controls to the fully open position. (1800W is not equipped with upper air controls).
- Open the doors fully and light the front newspaper or Firelighters with a long taper.
- Immediately after the kindling wood begins to burn, partly close the doors leaving a distance of 2 - 3cm from the fully closed position.
- Allow the fire to burn fiercely in order to warm the chimney as quickly as possible. As soon as the fire is burning well, add more wood or solid fuel.
- If burning solid fuels, the solid fuel may be placed directly on the firelighters.
- Ideally your wood should be no more than 10cm diameter.

CONTROLS

The lower air controls (located at the bottom of the doors) and the upper air controls (located at the top of the doors) should be fully open until the fire is established. Closing the air controls while the fire is cold will cause fast sooting up of the door glass and chimney.

When the fire is well established, operate as follows:

MODEL 1800W

Operate the heat output by adjustment to the air controls located at the bottom of the doors.

MODEL 2700W

For woodburning, leave both the top and the bottom air controls fully open. When a hot fire is established, close the bottom air controls. The burning rate can then be controlled by adjustment to the top air controls. When burning solid fuels on the 2700W, the above is reversed and the burning rate is controlled by adjustment to the lower air controls.

MODEL 2000MFR

For woodburning, leave both the top and the bottom air controls fully open. When a hot fire is established, close the bottom air controls. The burning rate can then be controlled by adjustment to the top air controls. When the appliance is used with the doors in the open position (as an open fireplace) the burning rate can be controlled by adjusting the front air slide control in front of the ash compartment.

For overnight burning, fully close the lower air control and partly close or fully close the top air controls (if fitted).

IMPORTANT

NEVER ALLOW THE GRATE TO BECOME "SANDWICHED" IN ASH. THE UNDERSIDE OF THE GRATE MUST NEVER BE IN CONTACT WITH ASH. FAILURE TO OBSERVE THIS ADVICE WILL LEAD TO PREMATURE WEAR OF THE GRATE.

CARE OF YOUR DOVRE APPLIANCE

The Dovre 2000 is constructed from high quality cast iron and finished with a special high temperature resistant paint. To ensure a good appearance is maintained, the cast iron surfaces should be brushed using a soft clean brush. Never attempt to clean the stove whilst it is under fire. One a year, the doors can be treated with a new coat of paint using Dovre high temperature resistant paint available from your stockist.

GLASS

Clean the glass daily whilst the glass is warm (not hot). Use a damp soft cloth with a little mild detergent. Never use harsh abrasives. If the glass is coated with heavy tar deposits, use Dovre Ceraclean glass cleaner. Never allow excessive tar deposits to build up.

DOVRE 2000 GAS MODELS

If fitting a DOVRE gas burner to your Dovre 2700W, please refer to the separate installation instructions issued with the burner.

It is important that you also ensure that following steps are taken if a gas burner is fitted.

Remove any flue damper that may be fitted to the appliance.

Ensure that the appliance doors are locked in the "open position"

ANNUAL MAINTENANCE

- 1** Remove the rope seals from the doors.
- 2** Clean out rope channels using a wire brush.
- 3** Fit new Dovre rope seal using the special adhesive supplied in the Dovre Service Kits (these can be obtained from your Dovre stockist).
- 4** Lightly grease all hinges on doors with graphite grease.

TROUBLESHOOTING

PROBLEM	CAUSE OF PROBLEM
SMOKE ENTERING ROOM FROM APPLIANCE	<ul style="list-style-type: none"> ■ If burning wood, make sure it is well seasoned with moisture content well below 20%. This usually requires the wood to be seasoned for 2-3 years. Trying to burn "green wood" is like trying to burn water! ■ Ensure you are not closing the air controls before the fire is established (see section on operation). ■ Check for blockage in chimney (consult your chimney sweep if necessary). ■ If problems persist, arrange for your dealer or professional chimney specialist to report on the suitability of your chimney.
TAR FORMATION	<ul style="list-style-type: none"> ■ Use of unseasoned wood. ■ Poor chimney draught. ■ Operating appliance while the fire is at very low temperature.
FUMES ENTERING ROOM THROUGH AIR GRILLS	<ul style="list-style-type: none"> ■ Seals on flue joints in convection chamber are not "smoke tight". ■ Walls of convection chamber are not clean.
CAST IRON GRATES DISTORTING	<ul style="list-style-type: none"> ■ Ash compartment over full causing the grates to be sandwiched in hot ash.

DOVRE 10 YEAR WARRANTY

If the castings on this appliance should prove to be defective within ten years of the purchase date, the faulty castings will be replaced free of charge, subject to the following conditions.

1. The purchaser shall complete the registration section below and return it within seven days of purchase. Failure to return the registration could result in delays in processing any claims.
2. The appliance shall have been installed in compliance with the installation instructions.
3. The appliance shall not have been used for the burning of unseasoned wood.
4. This warranty only applies to the appliance body castings and does not include renewable components including grates, ashpans, glass, seals and baffle plates.
5. This warranty does not cover site visits and labour charges.

This warranty does not affect the Statutory Rights of Consumer Purchasers.



Please complete and return this section within seven days of purchase to:
Dovre Castings Ltd, Weston Works, Weston Lane, Tyseley, Birmingham B11 3RP.

NAME:

ADDRESS:

TELEPHONE NUMBER:

MODEL:

DATE OF PURCHASE:

DEALER:



Unit 1, Weston Works, Weston Lane, Tyseley, Birmingham B11 3RP.

Tel: 0121 706 7600. Fax: 0121 706 9182.

E-mail: enquiries@dovre.co.uk

Web site: www.dovre.co.uk