

Thermostats

Types KT, KTM, DTM, DTO 1, DTO 1A, AT



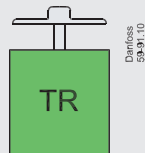
General Data Sheet

For specific information on this product, please contact Danfoss Burner Components

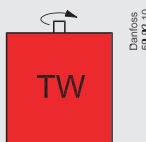
Function abbreviations

The functions of the thermostats are described by the following symbols and abbreviations.

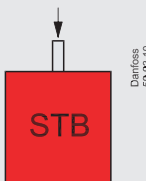
TR Boiler thermostat



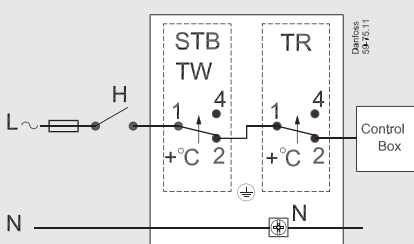
TW High limit thermostat



STB High temperature cutout (Safety temperature cutout)



Electrical connection



The range of thermostats for central heating systems meets the demands for reliable control of boiler and liquid temperatures, high temperature limitation and high/safety temperature cutout.

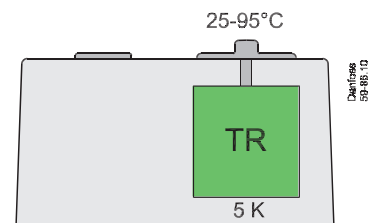


Immersion thermostats

Boiler thermostat

Type KT

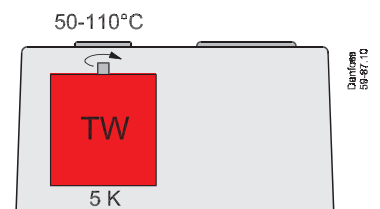
- Oil and gas burner heating systems
- Oil preheating systems
- Boiler and flow temperature control
- G ½ A × 110/150 mm sensor pockets available



High limit thermostat

Type KTM

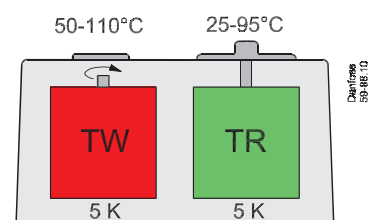
- Oil and gas burner heating systems
- Protection against over-temperature
- High temperature limitation with automatic cut-in
- G ½ A × 110 mm sensor pocket available



Boiler and high limit thermostat

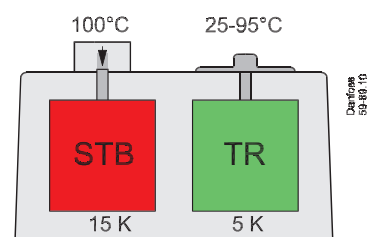
Type DTM

- Oil and gas burner heating systems
- Boiler and flow temperature control and protection against over-temperature
- High temperature limitation with automatic cut-in
- G ½ A × 110/150 mm sensor pockets available



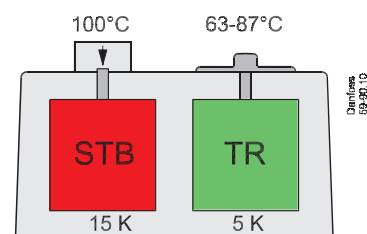
Boiler thermostat and high temperature cutout Type DTO 1

- Oil and gas burner heating systems
- Boiler and flow temperature control and protection against over-temperature
- High temperature cutout with manual reset (fail safe)
- G ³/₄ A × 90/205 mm sensor pockets available



Boiler thermostat and high temperature cutout Type DTO 1A

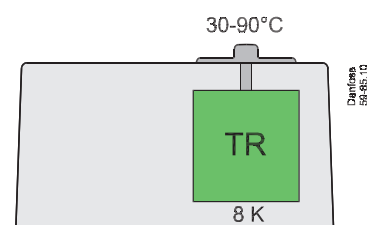
- Steel plate boilers
- Control and min. limitation to 63°C and protection against over-temperature
- High temperature cutout with manual reset (fail safe)
- G ¹/₂ A × 90 mm sensor pocket available



Pipe thermostat

Type AT

- Boilers and hot water systems
- Control of boiler, flow and hot water tank temperature
- NO and NC contacts
- Mounting without emptying the system
- Steel band for pipes G ¹/₂ -3 included

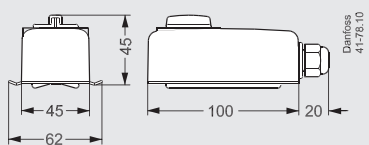


Technical Data

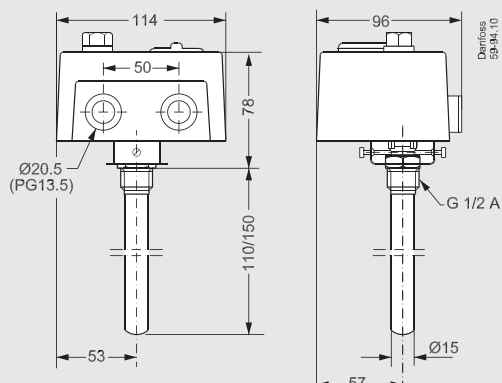
| | KT | KTM | DTM | DTO 1 | DTO 1A | AT | |
|-----------------------------|-----|---|--------|--------|--------|-------|----------------------------------|
| Temperature range TR | °C | 25-95 | | 25-95 | 25-95 | 63-87 | 30-90 |
| Temperature differential TR | K | 5 | | 5 | | | 8 |
| Temperature range TW | °C | | 50-110 | 50-110 | | | |
| Temperature differential TW | K | | 5 | 5 | | | |
| Break temperature STB | °C | | | | 100 | 100 | |
| Max. sensor temperature | °C | Ts130 | | | | | Ts90 |
| Max. pressure to sensor | bar | 40 | | | | | |
| Max. ambient temperature | °C | Ts85 | | | | | |
| Switch system TR, TW, STB | | SPDT | | | | | |
| Switch load TR, TW | | 16 (2.5) A/250 V~ 10 (1.5) A/400 V~ | | | | | 6 (2.5) A/250 V~ 0.1A/250 V - |
| Switch load STB | | 1-2: 16 (2.5) A/250 V~ 1-4: 0.5 A/250 V~ | | | | | |
| Enclosure | | IP 40 | | | | | |
| Weight | g | 400 | 400 | 465 | 425 | 430 | ? |
| Cable connection | | 2-off Ø 20.5 mm for PG 13.5 | | | | | ? |

TR: Boiler thermostat
TW: High limit thermostat
STB: High temperature cutout

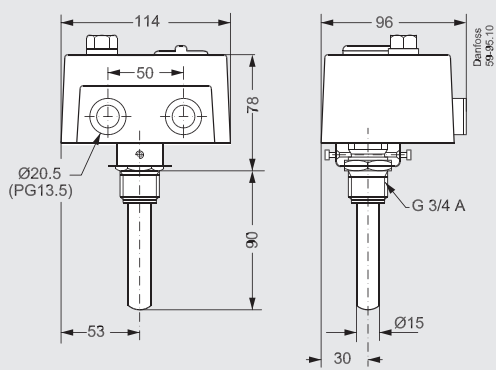
Dimensions



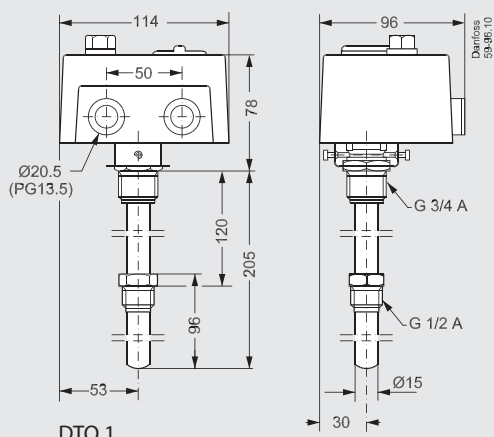
AT



KT, KTM, DTM, DTO 1A



DTO 1



DTO 1

