

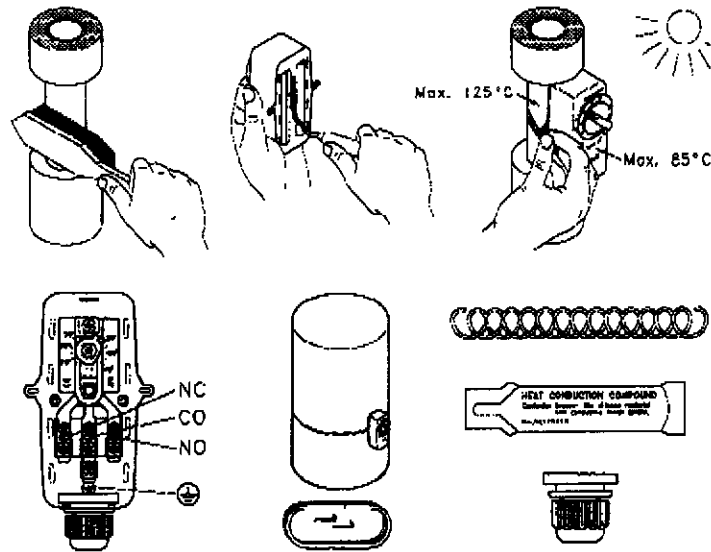
Technical data

Code no. for type AT	041E0000	041E0020	041E0060
Temperature graduation	°C		
External temperature scale	X		X
Temper proof temperature scale		X	
Temperature range	30 - 90°C		
Temperature differential	6 - 10 K		
Max. temperature plant surface	125°C		
Max. ambient temperature	85°C		
Switch system	SPDT		
Terminal CO-NC	Breaks on temperature rise		
Terminal CO-NO	Close on temperature rise		
Switch load	6 (6) A 250 V a.c., 0.1 A 250 V d.c.		
Installation	Can be installed in any position		
Single/MULTI 30 pcs.	X	X	
Industry 50 pcs.			X

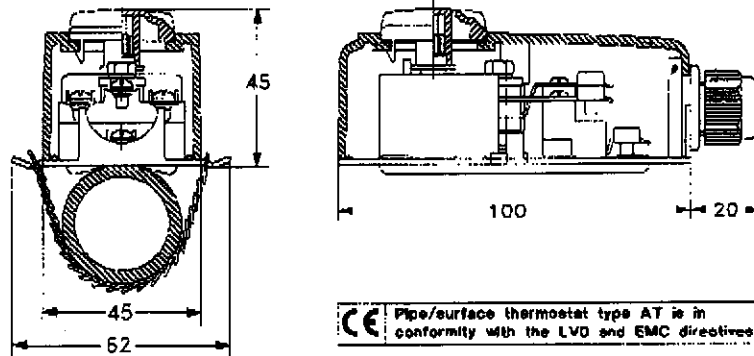
Accessories

Heat conduction compound, 5 g	041E0110
Heat conduction compound, 0.9 g	041E0111

Application



Dimensional sketch



Electric connection

Internal earth terminal M 3.5, alternative plug connection (AMP plug). Electric connection can be made by screw terminal M 3.5, alternative plug connection (AMP plug).

Danfoss can accept no responsibility for possible errors in catalogues, brochures and other printed material. Danfoss reserves the right to alter its products without notice. This also applies to products already on order provided that such alterations can be made without consequential changes being necessary in specifications already agreed. All trademarks in this material are property of the respective companies. Danfoss and the Danfoss logotype are trademarks of Danfoss A/S. All rights reserved.

