

## CHARNWOOD FIREFRONT PRE-INSTALLATION SURVEY



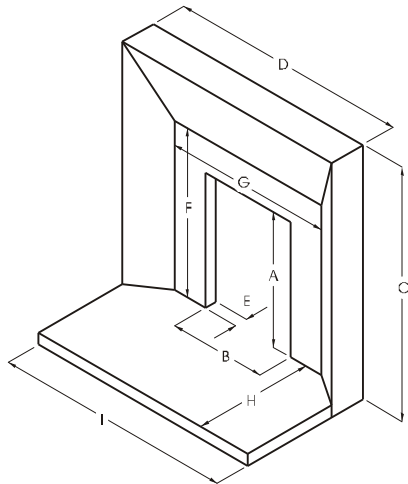
### 1. Chimney

The chimney must be structurally sound. A smoke test should be carried out to ensure that it is functioning correctly. If the brickwork or stonework or liners appear suspect then a pressure smoke test to BS6461 should be carried out.

There should be no voids present in the flue, i.e. no parts with a cross sectional area greater than 250x250mm.

### 2. Fire surround and hearth

Check that the fire surround and opening conforms to the dimensions shown below.



		Requirement
Height of fireplace opening	A	555 – 575 mm
Width of fireplace opening	B*	405- 470 mm
Height of fireplace	C	
Width of fireplace	D	
Depth of fireplace around opening	E	50 – 100 mm
Height of flat area around opening	F <sup>#</sup>	660 mm or more
Width of flat area around opening	G <sup>#</sup>	650 mm or more
Depth of hearth	H	405 mm or more
Width of hearth	I	

\*The Charnwood Firefront is made to fit into a standard 405mm (16”) opening. It may be fitted into a 455mm (18”) opening but some modifications will be required. Contact Charnwood Technical Department for further information (Tel. 01983 527552)

#Around the opening there must be a smooth flat area for the Firefront to seal onto. If the fire surround is made from rough stone then additional work will be necessary, which may incur additional costs.

The fire surround must be made of a suitable material (e.g. Tiles, Brick, Marble or Stone)

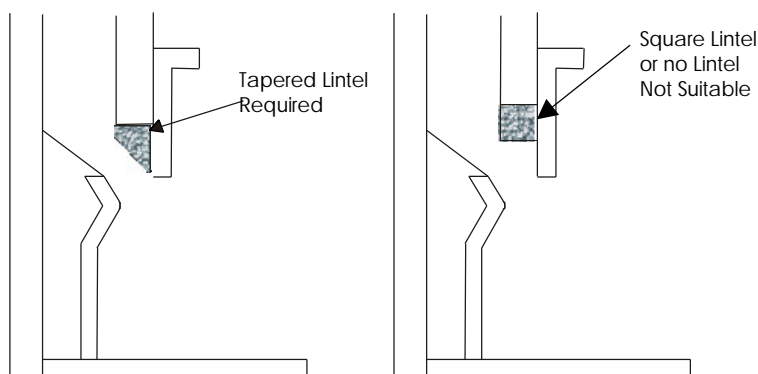
Some materials (e.g. resin based conglomerate marble) will not withstand the higher temperatures produced by the Firefront, care must be taken to ensure that the fireplace is suitable.

Is the hearth flat or does it have a raised edge? – Any lip must not be greater than 25mm in height.

The hearth must be level and square to the surround.

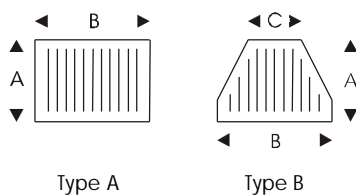
#### 4. Lintel above fire opening

Above the fire opening a tapered lintel to BS 1251 Part 4 must be fitted as shown in the sketch on the left below



#### 5. The Firegrate

The Charnwood Firefront will use the existing firegrate, it must be retained and not thrown away. Is the firegrate in good condition? (if not it will need to be replaced.)



The standard ashpan supplied with the Firefront is rectangular to suit grate type A shown above. If the grate is a tapered type B as shown above then the tapered ashpan must be ordered with the Firefront

#### 6. The Boiler

Where a boiler is fitted with a flue damper the damper should be removed prior to installing the Firefront.

#### 7. Air Supply

There must be a suitable air supply into the room providing ventilation of at least 16 inches<sup>2</sup> or 100 cm<sup>2</sup>