



CHARWOOD
ISLAND

Operating
and
Installation
Instructions
for the
Island^I, Island^{II} and Island^{III}



CHARWOOD Bishops Way, Newport, Isle of Wight PO30 5WS, United Kingdom
T:+44 (0)1983 537777 F:+44 (0)1983 537788 charnwood@ajwells.co.uk www.charnwood.com

CHARNWOOD ISLAND

Operating Instructions

Before lighting the stove check with the installer that the work and checks described in the Installation Instructions have been carried out correctly and that the chimney has been swept, is sound and free from any obstructions.

FUELS

The following fuels may be burnt on this stove. Please pay careful attention to the special points made with each type of fuel as they will help you to get the best from your stove. It must be remembered that only approved smokeless fuels may be burnt in smoke control areas on this stove. If you are not sure whether you are in a smoke control area, then please check with your Local Authority.

Smokeless Fuels

The recommended smokeless fuels which are suitable for use in smoke control areas on this stove are as follows:

Ancit, (Phurnacite Plus)
Anthracite Large Nuts,
Cosycoke
Homefire,
Maxibrite,
Phurnacite,
Welsh Dry Steam Coal (Large Nuts).

Coal

Housecoal doubles, trebles or cobbles may all be burnt. Do not use singles, small nuts, or coal dust.

Union Lignite Coal Briquettes may also be used.

It is important that large size coal is used (ie. larger than 50mm or 2" in size). The coal should be dry.

When burning coal a little extra care is needed. Please take note of the section "Special Points For Burning Coal".

Wood

Only dry well seasoned wood should be burnt on this appliance as burning wet unseasoned wood will give rise to heavy tar deposits in the stove, on the glass and within the chimney. For the same reason hard woods (such as Ash, Beech and Oak) are better than soft woods (such as Pine and Spruce.) Burning wet unseasoned wood will also result in considerably reduced outputs. The wood should be cut and split and then left to season in a well ventilated dry place for at least

one year but preferably two years before use.

Peat

Ensure that the peat is well dried before use. Burning wet peat will give rise to heavy tar deposits and reduced outputs.

PETROLEUM COKE IS NOT SUITABLE FOR USE ON THIS APPLIANCE. ITS USE WILL INVALIDATE THE GUARANTEE.

At first you may find it helpful to try several fuels to find the most suitable. If you are unable to obtain the fuel you want ask your supplier, or an approved fuel distributor to suggest an alternative.

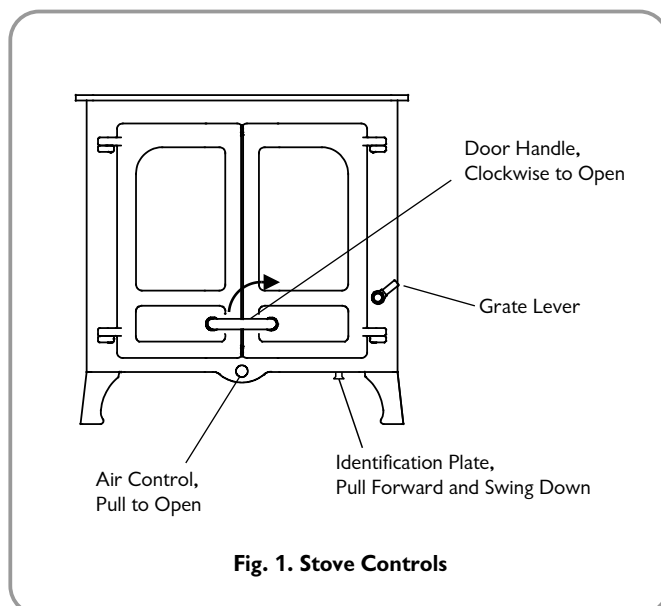


Fig. 1. Stove Controls

DOOR OPERATION

The door handle has been carefully designed so that in normal use it may be operated using bare hands. However, if you need to open the doors when the fire is running at maximum then the use of a cloth or glove may be required.

Take care not to touch the doors as they will be hot when the fire is burning. Turn the door handle clockwise to open, and anti-clockwise to close.

MULTIFUEL GRATE

Your Charnwood Island is fitted with a multifuel grate to enable both solid fuels and wood to be burned equally effectively. The grate has two positions:-

1) In the solid fuel position the grate bars are vertical with gaps in

between allowing the primary combustion air to come up through the grate and through the fuel bed.

2) In the wood position the grate bars are horizontal, allowing the combustion air to come round the sides of the grate and over the top of it. When in the wood position ash is able to build up on the grate as is necessary for effective wood or peat burning.

Movement of the grate from one position to the other is effected using the tool supplied as shown in Fig. 2. The grate is put into the solid fuel position by moving the tool up until the handle is in the 1 o'clock position. The grate is put into the wood position by moving the tool down until the handle is in the 5 o'clock position. To riddle the appliance when burning solid fuels the tool should be moved between the 1 o'clock and 3 o'clock positions several times. When burning wood or peat the ash should be allowed to build up and riddling should only be carried out once or twice a week.

When burning a mixture of wood and coal keep the grate in the coal position.

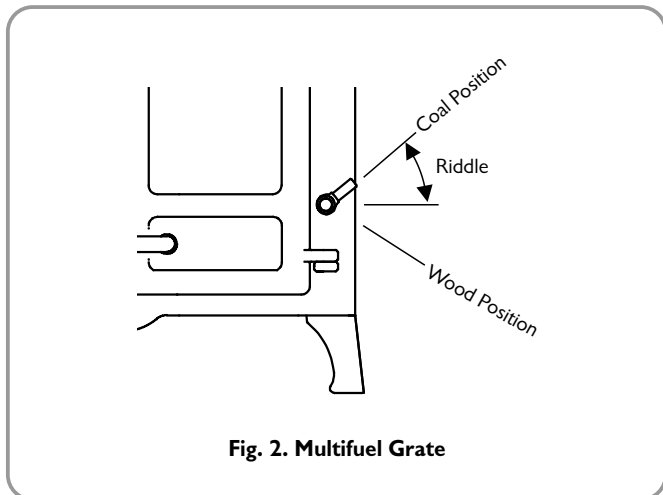


Fig. 2. Multifuel Grate

LIGHTING

The stove may be lit using dry kindling wood and paper or fire lighters. Set the grate into either the wood position or the solid fuel position as required. Place the paper, or fire lighters, and kindling on the grate and cover with approximately 2 inches of solid fuel or a few small dry logs. Open the air control fully (see Fig. 1.) Light the paper or fire lighters. Close the doors until the fuel is well ignited then load with fuel. Once the fire is up to temperature the airwash system will begin to work, so allow the fire to become hot before adjusting the air controls to the required setting.

On initial lighting, the stove may smoke and give off an odour as the silicon paint with which the firebox is painted reacts to the heat. This is normal and will cease after a short time, but meanwhile the room should be kept well ventilated.

At first only light a small fire and burn it slowly for two hours to allow any residual moisture in the bricks to evaporate.

When relighting the stove, riddle (if burning solid fuel), remove any clinker from the firebed and then empty the ashpan.

CONTROLLING THE FIRE

The fire is controlled by the single air control knob shown in Fig. 1. Pull the knob out to make the fire burn faster, push it in to make the fire burn slower.

This unique QuattroFlow™ air control* provides carefully balanced primary, secondary, tertiary and bypass air to enable optimum burning conditions without the need to fiddle with multiple controls.

RIDDLING

When burning solid fuels riddling twice a day is usually sufficient. When burning wood or peat, ash should be allowed to build up and only riddled when the ash begins to cover the slots in the rear fireplate. The fire should be riddled with the doors shut (see Fig. 2.) Place the tool onto the riddling lever and rotate between the 1 o'clock and 3 o'clock positions several times. Too much riddling can result in emptying unburnt fuel into the ashpan and should therefore be avoided. If any clinker forms it should be removed from the firebed. After riddling, the grate should be put back into the solid fuel or wood position as required (the tool should be in the 1 o'clock position for solid fuel or in the 5 o'clock position for wood).

REFUELLING

Keep the firebox well filled but do not overfill to prevent fuel from spilling over the top of the front fire bar. Logs should be evenly distributed filling across the firebed to give the most pleasing flame pattern

Care should be taken especially when burning wood that fuel does not project over the front fire bar or damage to the glass may be caused when the doors are closed, it can also cause the glass to black up .

ASH CLEARANCE

The ashpan should be emptied regularly before it becomes too full. Never allow the ash to accumulate in the ashpan so that it comes in contact with the underside of the grate as this will seriously damage the grate bars. The ashpan is handled using the tool provided. Care should be taken to ensure that ash is cool before emptying it into plastic liners or bins.

To make ash removal easier there is a special Charnwood ash carrier available. This may be purchased from your supplier or, in case of difficulty, from ourselves.

SPECIAL POINTS WHEN BURNING COAL

When loading the stove take care not to smother the fire, instead fill the firebox in two stages waiting between each stage for the flames to appear above the fire.

After a period of slumbering always open the air control up to maximum and wait until flames appear above the fuel bed before opening the doors.

Burning coal will produce more soot deposits than other fuels, especially if the fire is run at low levels for long periods. It is therefore vital to clean the throat plate regularly. It will also be necessary to sweep the chimney more frequently than with other fuels.

SPECIAL POINTS WHEN BURNING WOOD AND PEAT

The grate should be kept in the wood burning position and should not be riddled until the ash becomes so deep that it begins to block the passage of air into the firebox at the sides or back of the grate. When this is the case do not remove all of the ash using the riddling mechanism but keep a layer about half an inch thick as this enables the wood to burn more effectively. When lighting the fire a few small dry logs with a good amount of kindling will help to get the fire up to temperature quickly.

OVERNIGHT BURNING

For overnight burning the fire doors must be closed.

When burning solid fuel the ashpan should be emptied and the fire riddled. The air control should be opened up to maximum for a brief period and then, when the fire is burning brightly, it should be loaded with fuel. When the new fuel has ignited, push the air control almost fully in. Some experimentation may be necessary to find the setting most suitable for the particular fuel used and the draw on the chimney. To revive the fire, empty the ashpan, riddle, and open the air control to maximum. When the fire is burning well load on more fuel as necessary and move the air control to the desired setting.

When burning wood use large logs rather than small ones. Proceed as above, but do not riddle the fire either when shutting down or reviving the fire.

MAINTENANCE

Cleaning

The stove is finished with a high temperature paint which will withstand the temperatures encountered in normal use. This may be cleaned with a damp lint-free cloth when the stove is cold. Should re-painting become necessary then special high temperature paints are

available from your supplier or from Charnwood.

Cleaning the Glass

The glass in the doors is a special ceramic glass which is able to withstand high temperatures. Before cleaning the glass open the doors and allow them to cool. Clean the glass using a damp cloth and then wipe over with a dry cloth. Any stubborn deposits on the glass may be removed with a proprietary stove glass cleaner or ceramic hob cleaner. Some deposits on the glass may be burnt off simply by running the fire at a fast rate for a few minutes. Do not use abrasive cleaners or pads as these can scratch the surface which will weaken the glass and cause premature failure. Aerosol spray cleaners should not be used near the appliance whilst it is under fire.

When Not in Use

If the fire is going to be out of use for a long period (for instance in the summer) then to prevent condensation, and hence corrosion, the air control should be left fully open and the fire doors left ajar. It is also advisable to sweep the chimney and clean out the fire. Spraying the inside of the doors and firebox with a light oil, such as WD40, will also help to keep all internal parts working well.

After long periods where the fire has been out of use, the chimney and appliance flueways should be cleaned before lighting.

Door Seals

For the fire to operate correctly it is important that the door seals are in good condition. Check that they do not become worn or frayed and replace them when necessary.

Servicing

It is recommended that the fire is serviced once a year to keep it in first class working order. After cleaning out the firebox thoroughly, check that all internal parts are in good working order, replacing any parts that are beginning to show signs of wear. Check that the doors seals are in good condition and that the doors seal correctly. A servicing guide is available on request.

THROAT PLATE AND FLUEWAY CLEANING

It is important that the throat plate and all the stove flueways are kept clean. They should be checked approximately once a week, by looking up into the firebox for signs of soot or fly-ash on the throat plate and at the sides of the firebox. If there are signs of a build up of

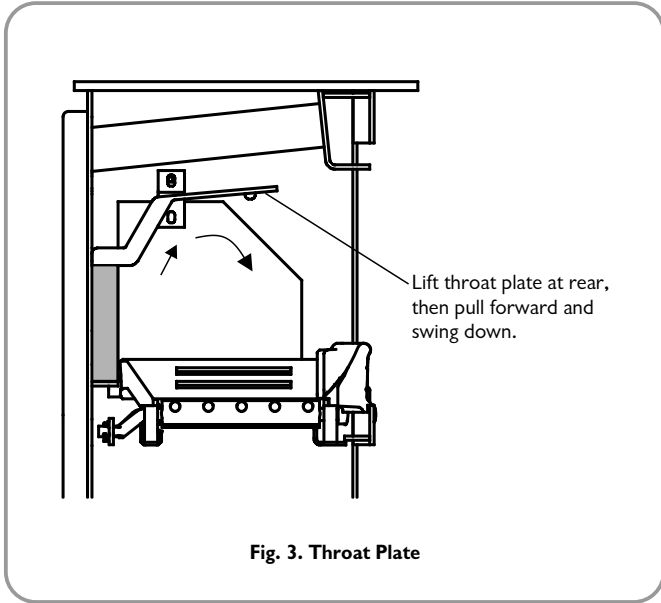


Fig. 3. Throat Plate

soot or fly-ash deposits then the fire must be let out in order to clean the throat plate and flueways.

Before attempting to clean the throat plate and flueways ensure that the fire is cold. Wear suitable gloves to prevent irritation from soot deposits. To remove the throat plate lift the back edge up to disengage the rear retainers and then slide the plate forward until it comes clear of the front pegs (see Fig. 3.)

CHIMNEY SWEEPING

The chimney should be swept at least twice a year. Where a top outlet is used it will generally be possible to sweep the chimney through the appliance.

First remove the front firebar, side fire plates, and the throat plate. Then sweep the chimney ensuring that soot is removed from all horizontal surfaces after sweeping.

In situations where it is not possible to sweep through the appliance the installer will have provided alternative means, such as a soot door.

After sweeping the chimney the appliance flue outlet and the flue pipe connecting the stove to the chimney must be cleaned with a flue brush.

After clearing any soot from within the stove, replace the throat plate (see Fig. 3), the side fireplates, and front firebar .

Different types of sweep's brushes are available to suit different flueways. For standard brick chimneys a wire centre sweep's brush fitted with a guide wheel is recommended. For prefabricated insulated chimneys the manufacturers instructions with regard to sweeping should be consulted.

TROUBLE SHOOTING

Fire Will Not Burn.

Check that:

- the air inlet at the rear of the stove is not obstructed in any way,
- chimneys and flueways are clear,
- that a suitable fuel is being used,
- that there is an adequate air supply into the room,
- that an extractor fan is not fitted in the same room as the stove.
- there is sufficient draw in the chimney, (once the chimney is warm a draught reading of at least 0.10 inches water gauge should be obtained).

Door Glass Blacks Up

Keeping the glass clean requires a certain amount of experimentation due to the differences in the draw of different chimneys. The following points should be noted and with a little care should enable the glass to be kept clean in most situations:

- The airwash relies on a supply of heated air to keep the glass clean, therefore, when lighting the stove allow the firebed to become well established before closing the air control. This also applies when re-fuelling the stove.
- When re-fuelling keep the fuel as far back from the front firebar as possible, do not try to fit too much fuel into the firebox.
- Wet wood or logs overhanging the front firebars will cause the glass to blacken.
- There is a bypass slide that can be adjusted to suit the particular installation. This allows a small amount of airwash air to enter the stove even when the air control is closed. This can be adjusted to help with keeping the glass clean when the fire is slumbering.

It is always more difficult to keep the glass clean when running the stove very slowly for long periods.

Check that all flue connections and the blanking plate are well sealed.

It is also important that the chimney draw is sufficient, (when the chimney is warm a draught reading of at least 0.10 inches water gauge should be obtained), and that it is not affected by down-draught.

When burning coal some blackening of the glass may occur below the level of the front firebars. This will not obscure the view of the fire or affect its performance.

Fume Emission.

Warning Note: Properly installed and operated this appliance will not emit fumes. Occasional fume from de-ashing and re-fuelling may occur. Persistent fume emission is potentially dangerous and

must not be tolerated. If fume emission does persist, then the following immediate actions should be taken:

- a) Open doors and windows to ventilate the room.**
- b) Let the fire out and safely dispose of the fuel from the appliance.**
- c) Check for flue or chimney blockage, and clean if required.**
- d) Do not attempt to re-light the fire until cause of fume has been identified, if necessary seek professional advice.**

The most common cause of fume emission is flueway or chimney blockage. For your own safety these must be kept clean.

Fire blazing out of control

Check that :

- a) The doors are tightly closed.
- b) The air control is pushed in .
- c) A suitable fuel is being used.
- d) Door seals and air control flap pads are intact.

Chimney Fires.

If the chimney is thoroughly and regularly swept, chimney fires should not occur. However, if a chimney fire does occur push the air control in fully tightly close the doors of the appliance. This should cause the chimney fire to go out in which case the control should be kept closed until the stove has gone out. The chimney and flueways should then be cleaned. If the chimney fire does not go out when the above action is taken then the fire brigade should be called immediately.

After a chimney fire the chimney should be carefully examined for any damage. Expert advice should be sought if necessary.

If You Need Further Help

If you need further help with your Charnwood Island then your Installer will be able to provide the answers to most questions. Your Local Charnwood Premier Dealer has a great deal of experience and will also be able to provide helpful advice. Further help is available from the Charnwood Customer Services department who will be pleased to give advice, if necessary.

CHARNWOOD ISLAND

Installation Instructions

Health and Safety Precautions

Please take care when installing the stove that the requirements of the Health and Safety at Work Act 1974 are met.

Some types of fire cement are caustic and should not be allowed to come into contact with the skin. In case of contact wash with plenty of water.

If there is a possibility of disturbing any asbestos in the course of installation then please use appropriate protective equipment.

There must not be an extractor fan fitted in the same room as the stove as this can cause the appliance to emit fumes into the room.

There must be an adequate air supply into the room in which the appliance is installed totalling at least 100 square cm. (16 square inches) to provide combustion air. This is particularly necessary if the room is double glazed.

In addition to these instructions the requirements of BS.8303 and BS.6461 Pt 1 & 2; 1984 must be fulfilled. Local Authority Bylaws and Building Regulations regarding the installation of Solid Fuel burning appliances, flues and chimneys must also be observed.

PERFORMANCE

The output of the Charnwood ISLAND^I is 6.0 kW (20,500 Btu/h), the Charnwood ISLAND^{II} output is 8.0kW (27,300 Btu/h) the Charnwood ISLAND^{III} output is 12.0kW (40,900 Btu/h).

The outputs were obtained burning smokeless fuel over a four hourly re-fuelling cycle.

CHIMNEY

In order for the appliance to perform satisfactorily the chimney height must not be less than 4 metres measured vertically from the outlet of the stove to the top of the chimney. For the ISLAND^I & ISLAND^{II} the chimney must not be less than 150 mm (6 inches) internal diameter or 150 x 150mm internal square. For the ISLAND^{III} the chimney must not be less than 175 mm (7 inches) internal diameter or 175 x 175mm internal square. If an existing chimney is to be used it must be swept and checked, it must be in good condition, free from cracks and blockages, and should not have an excessive cross sectional area. If you find that the chimney is in poor condition then expert advice should be sought regarding the necessity

of having the chimney lined. If it is found necessary to line the chimney then a lining suitable for Solid Fuel must be used.

If there is no existing chimney then a prefabricated block chimney or a twin walled insulated stainless steel flue to BS.4543 can be used either internally or externally. These chimneys must be fitted in accordance with the manufacturers instructions and Building Regulations.

Anki pumice liners or chimney blocks will give a highly insulated chimney which will work well with all fuels. For details ring Anki Chimney Systems on (01983) 527997.

Single wall flue pipe is suitable for connecting the stove to the chimney but is not suitable for using for the complete chimney.

If it is found that there is excessive draw in the chimney then a draught stabilizer should be fitted.

It is important that there is sufficient draw in the chimney and that the chimney does not suffer from down-draught. When the chimney is warm the draw should be not less than 0.10 inches water gauge. If in doubt about the chimney seek expert advice.

HEARTH AND FIRE SURROUND

The stove must stand on a fireproof hearth and must be situated at least 300mm (12 inches) from any combustible material. The positioning of the stove and the size of the hearth are governed by building regulations for Class 1 appliances. These building regulations state that the hearth must extend in front of the stove by at least 300mm (12 inches) and to the sides of the stove by at least 150mm (6 inches). If in doubt as to the positioning of the stove expert advice should be sought either from the supplier or the local building inspector.

The fireplace must allow good circulation of air around the appliance to ensure that maximum heat is transferred to the room and also to prevent the fireplace from overheating. A gap of 150mm (6 inches) each side and 300mm (12 inches) above the appliance should give sufficient air circulation. If a wooden mantelpiece or beam is used in the fireplace it should be a minimum of 460mm (18 inches), and preferably 600mm (24 inches) from the appliance. In some situations it may be necessary to shield the beam or mantelpiece to protect it.

In order for the fire to operate correctly there must be an air gap behind the appliance of at least 40mm, but be aware that this

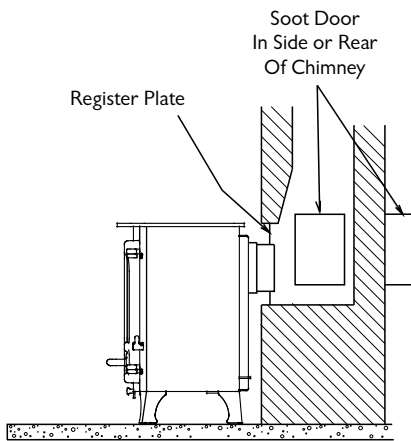


Fig. 4. Vertical Register Plate With Bricked Up Fireplace

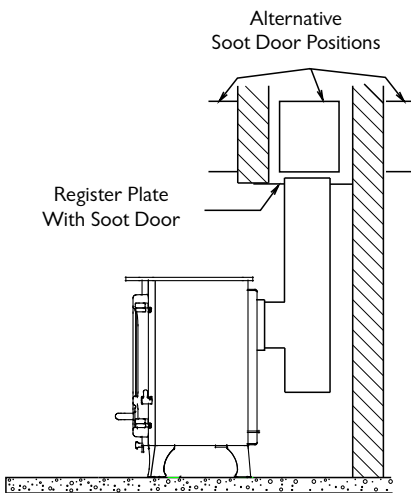


Fig. 5. Horizontal Register Plate With Rear Flue Connection

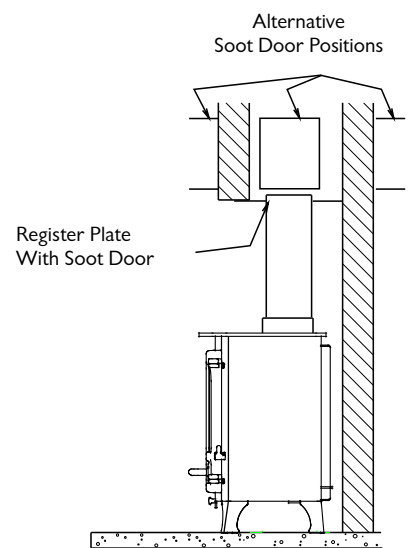


Fig. 6. Horizontal Register Plate With Top Flue Connection

distance will need to be greater in some cases to meet Building Regulation requirements.

CONNECTIONS TO FLUES

There are several ways of connecting the stove to the flue. These are illustrated in figures 4 to 7.

If the vertical rear flue connector (shown in Fig. 7) is used then the chimney may be swept through the appliance.

Horizontal lengths of flue must be kept to a minimum and should not be more than the flue diameter. The sealing face of the flue collar should be coated with fire cement before fixing to the body of the stove using the two screws provided. The blanking plate must be removed, sealed with fire cement and refitted, care being taken to ensure that the fold on the blanking plate is in line with the lugs on the firebox as shown on the label on the clamping plate. Ensure that the clamping plate does not prevent the throat plate from seating correctly. All flue connections must be well sealed.

SOOT DOORS

It is possible to pass a 16 inch diameter sweeps brush through the appliance but in most back outlet installations it will be necessary to have a soot door to enable the chimney to be swept. This may either be in the actual brickwork of the chimney or in the register plate. Various types and positions of soot doors are shown in figures 4 to 7.

PRE LIGHTING CHECK

Before initial lighting the following points should be checked :-

1. The bottom grate bars must all be fitted and should move freely and easily when the riddling mechanism is operated.

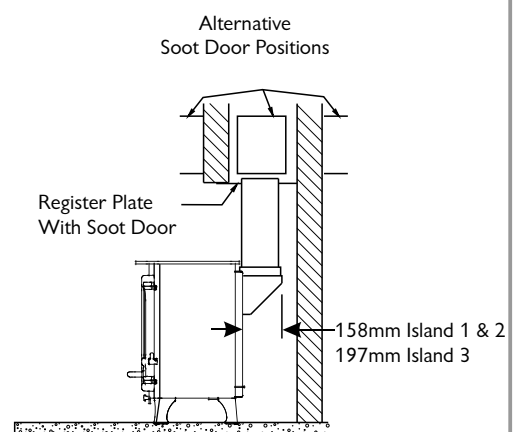


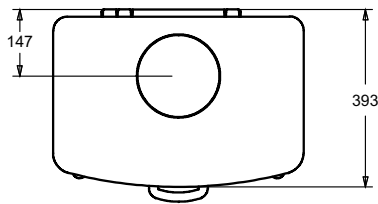
Fig. 7. Horizontal Register Plate With Optional Vertical Rear Flue Connector

2. The plates round the sides and back of the grate must be in position and sitting correctly.

3. The throat plate must be fitted in the roof of the appliance and should be checked to ensure that it has not become dislodged in transit. The method of location and positioning of the throat plate is shown in Fig. 3.

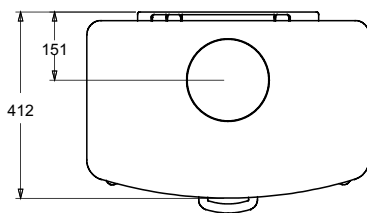
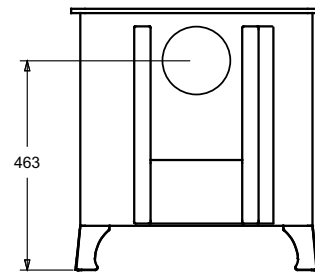
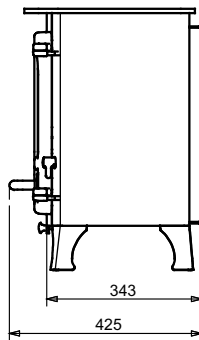
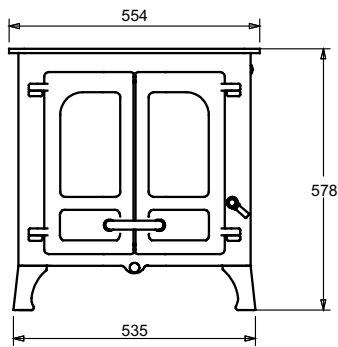
COMMISSIONING

On completion of the installation and after allowing a suitable period of time for the fire cement and mortar to dry out, the stove should be lit and checked to ensure that smoke and fumes are taken from the appliance up the chimney and emitted safely. Also check all joints and seals. On completion of the installation and commissioning please leave the operating instructions with the customer and advise them on the use of the appliance.



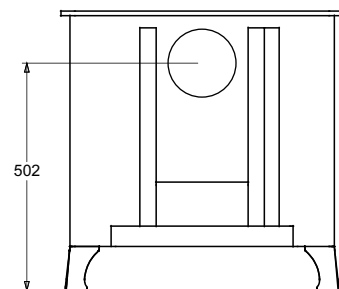
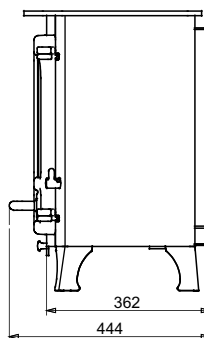
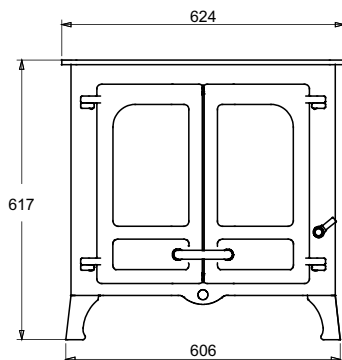
CHARNWOOD ISLAND^I

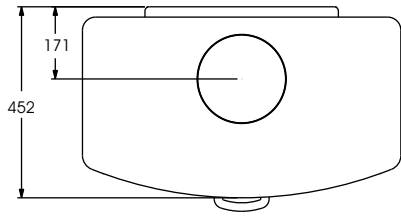
Flue Outlet To Suit 150mm (6") Flue Pipe



CHARNWOOD ISLAND^{II}

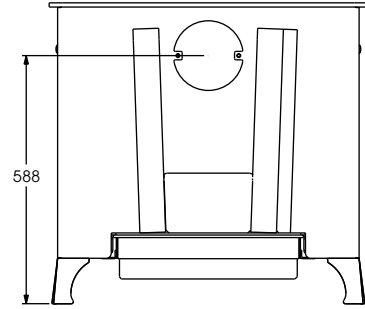
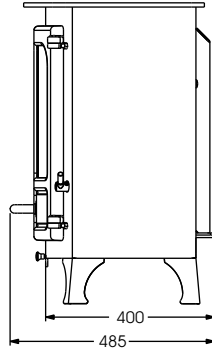
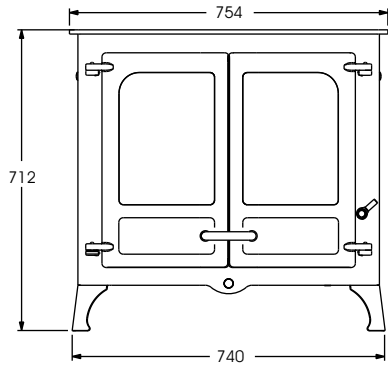
Flue Outlet To Suit 150mm (6") Flue Pipe





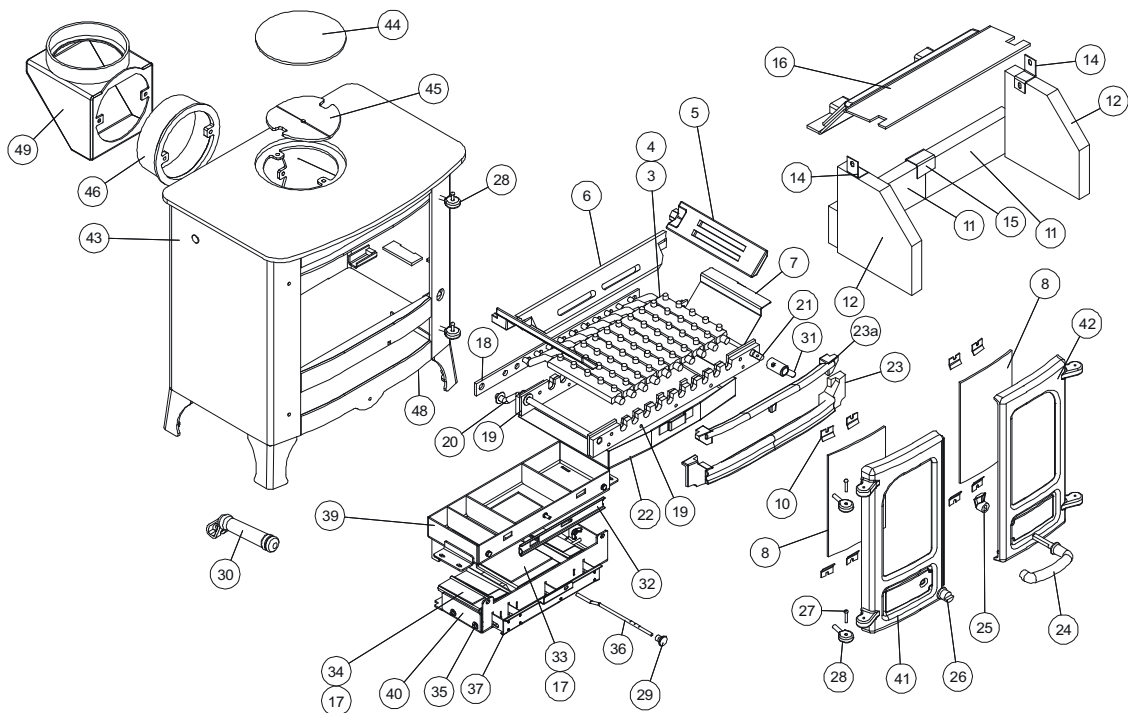
CHARNWOOD
ISLAND^{III}

Flue Outlet To Suit 175mm (7") Flue Pipe



Charnwood Island I

Parts List



Item	Part No.	Description
1*	008/KV35S	Door Seal Set Inc. Adhesive
2*	008/FW29	Door Seal Adhesive
3	002/CG20	Bottom Grate Bar
4	002/CG20S10	Set of Grate Bars (10)
5	002/CY15	Side Fire Plate
6	002/AY16	Back Fire Plate
7	004/BY24	Ash Shedding Plate
8	006/AY18	Glass
9*	008/AY45	Glass Seal
10	004/KV23	Glass Retainer
11	011/AY29	Rear Brick
12	011/BY28	Side Fire Brick
13	011/AY29S	Set of Fire Bricks (4)
14	004/XV30	Brick Retainer
15	004/LV24	Rear Brick Joining Bracket
16	010/AY31	Throat Plate
17	008/AY26S	Set of Air Inlet Flap Pads
18	012/AY33	Mover Bar
19	002/AY30	Carrier Bar
20	012/AY13	Idler Rod
21	012/AY15	Riddler Rod
22	004/AY17	Ashpan
23	002/AY07B	Front Firebar
23a	002/AY08	Deepening Bar
24	008/KV16	R.H. Door Handle
25	002/AY14	Door Catch Cam
26	008/KV13	L.H. Door Knob
27	008/BW39/S	Hinge Pin Set (4 per set)
28	002/AY28	Hinge Post
29	008/AY37	Air Control Knob
30	010/AY34	Riddling/Ashpan Tool
31	002/AY27	Riddler Knob
32	004/AY21	Air Bypass Slide
33	004/AY22-1P	Primary Air Inlet Flap
34	004/AY22-1S	Secondary/Bypass Air Inlet Flap

Item	Part No.	Description
35	004/AY24-02	Flap Mounting Rod (inc. fixings)
36	004/BY23-07	Air Control Rod
37	004/AY23	Actuator Assembly
38	008/AY39	Upper Quattro Box Gasket
39	010/AY20	Upper Quattro Box
40	010/AY19	Lower Quattro Box
41	002/AY01	Left Hand Door
42	002/AY02	Right Hand Door
43	001/AY10	Firebox (Island I)
44	012/TW09	Blanking Plate
45	010/TW61	Clamping Plate
46	002/CH12B	Flue Collar
47	010/NV11	Flue Spacer Ring
48	012/AY11	Serial No. Label
49	010/TW33	Vert. Rear Flue Connector (Opt'l Extra)
50*	010/EW51	Ash Carrier (Optional Extra)

* These items are not shown on the drawing.



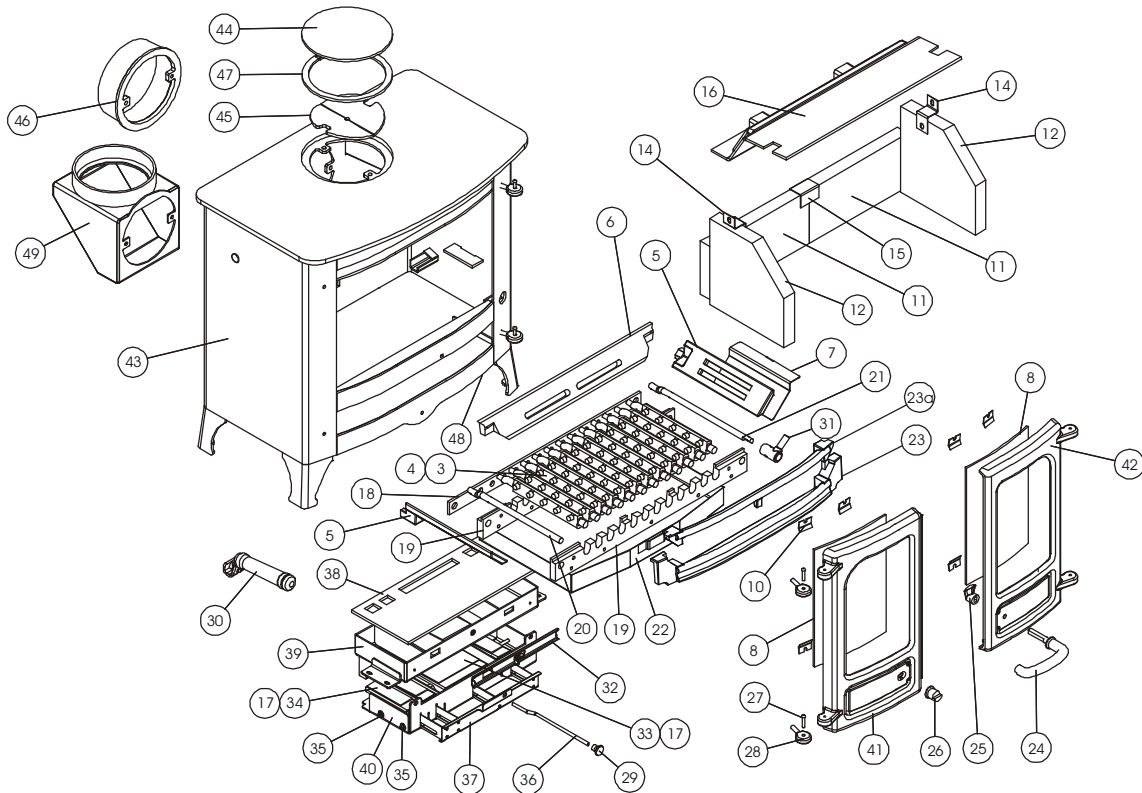
To obtain spare parts please contact your local stockist giving Model, Part No. and Description. In case of difficulty contact the manufacturer at the address shown.

This drawing is for identification purposes only.

CHARNWOOD Bishop sWay ,Newport ,Isle ofWigh tPO3 05WS ,Unite dKingdom

T :+4 4(0) 198 353777 7 F :+44(0) 198 353778 8 charnwood@ajwells.co.uk www.charnwood.com

Charnwood Island II Parts List



Item	Part No.	Description	Item	Part No.	Description
1*	008/KV35S	Door Seal Set Inc. Adhesive	35	004/AY24-02	Flap Mounting Rod (inc. fixings)
2*	008/FW29	Door Seal Adhesive	36	004/BY23-07	Air Control Rod
3	002/CG20	Bottom Grate Bar	37	004/AY23	Actuator Assembly
4	002/CG20S12	Set of Grate Bars (12)	38	008/AY39	Upper Quattro Box Gasket
5	002/CY15	Side Fire Plate	39	010/AY20	Upper Quattro Box
6	002/BY16	Back Fire Plate	40	010/AY19	Lower Quattro Box
7	004/BY24	Ash Shedding Plate	41	002/BY01	Left Hand Door
8	006/BY18	Glass	42	002/BY02	Right Hand Door
9*	008/AY45	Glass Seal	43	001/BY10	Firebox (Island II)
10	004/KV23	Glass Retainer	44	012/TW09	Blanking Plate
11	011/BY29	Rear Brick	45	010/TW61	Clamping Plate
12	011/BY28	Side Fire Brick	46	002/CH12B	Flue Collar
13	011/BY29S	Set of Fire Bricks (4)	47	010/NV11	Flue Spacer Ring
14	004/XV30	Brick Retainer	48	012/BY11	Serial No. Label
15	004/LV24	Rear Brick Joining Bracket	49	010/TW33	Vert. Rear Flue Connector (Opt'l Extra)
16	010/BY31	Throat Plate	50*	010/EW51	Ash Carrier (Optional Extra)
17	008/AY26S	Set of Air Inlet Flap Pads			
18	012/BY33	Mover Bar			
19	002/BY30	Carrier Bar			
20	012/AY13	Idler Rod			
21	012/AY15	Riddler Rod			
22	004/BY17	Ashpan			
23	002/BY07B	Front Firebar			
23a	002/BY08	Deepening Bar			
24	008/KV16	R.H. Door Handle			
25	002/AY14	Door Catch Cam			
26	008/KV13	L.H. Door Knob			
27	008/BW39/S	Hinge Pin Set (4 per set)			
28	002/AY28	Hinge Post			
29	008/AY37	Air Control Knob			
30	010/AY34	Riddling/Ashpan Tool			
31	002/AY27	Riddler Knob			
32	004/AY21	Air Bypass Slide			
33	004/AY22-1P	Primary Air Inlet Flap			
34	004/AY22-1S	Secondary/Bypass Air Inlet Flap			

* These items are not shown on the drawing.



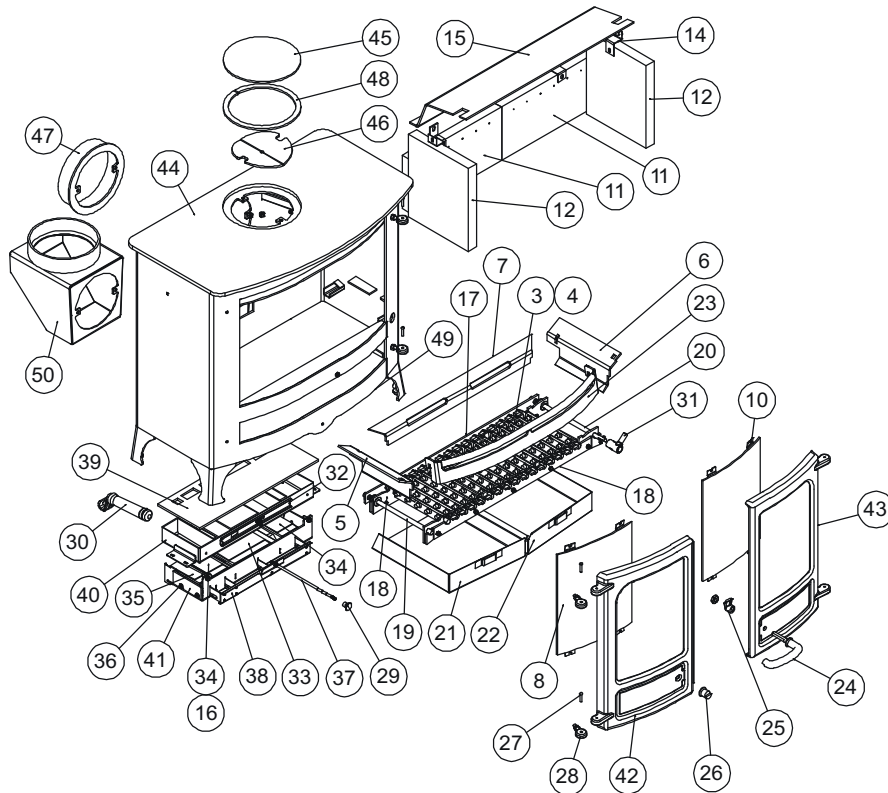
To obtain spare parts please contact your local stockist giving Model, Part No. and Description. In case of difficulty contact the manufacturer at the address shown.

This drawing is for identification purposes only.

CHARNWOOD Bishop sWay ,Newport ,Isle ofWigh tPO3 05WS ,Unite dKingdom

T :+4 4(0) 198 353777 7 F :+44(0) 198 353778 8 charnwood@ajwells.co.uk www.charnwood.com

Charnwood Island III Parts List



Item	Part No.	Description	Item	Part No.	Description
1*	008/CY40S	Door Seal Set Inc. Adhesive	36	004/CY24	Flap Mounting Rod (inc. fixings)
2*	008/FW29	Door Seal Adhesive	37	004/CY32	Air Control Rod
3	002/CG20	Bottom Grate Bar	38	004/CY23	Actuator Assembly
4	002/CG20S12	Set of Grate Bars (12)	39	008/CY39	Upper Quattro Box Gasket
5	010/CY13L	Side Fire Plate L.H.	40	010/CY20	Upper Quattro Box
6	010/CY13R	Side Fire Plate R.H.	41	010/CY19	Lower Quattro Box
7	010/CY16	Back Fire Plate	42	002/CY01	Left Hand Door
8	006/CY18	Glass	43	002/CY02	Right Hand Door
9*	008/AY45	Glass Seal	44	001/CY10	Firebox (Island III)
10	004/KV23	Glass Retainer	45	010/CY37	Blanking Plate
11	011/CY29	Rear Brick	46	010/CY61	Clamping Plate
12	011/LV29B	Side Fire Brick	47	010/CY35	Flue Collar
13	011/CY29S	Set of Fire Bricks (4)	48	010/CY36	Flue Spacer Ring
14	004/XV30	Brick Retainer	49	012/CY11	Serial No. Label
15	010/CY31	Throat Plate	50	010/CY34	Vert. Rear Flue Connector (Opt'l Extra)
16	008/CY26S	Set of Air Inlet Flap Pads	51*	010/BW51	Ash Carrier (Optional Extra)
17	012/CY33	Mover Bar			
18	002/CY30	Carrier Bar			
19	012/AY13	Idler Rod			
20	012/AY15	Riddler Rod			
21	004/CY17L	Ashpan L.H.			
22	004/CY17R	Ashpan R.H.			
23	002/CY07	Front Firebar			
24	008/KV16	R.H. Door Handle			
25	002/AY14	Door Catch Cam			
26	008/KV13	L.H. Door Knob			
27	008/BW39/S	Hinge Pin Set (4 per set)			
28	002/AY28	Hinge Post			
29	008/AY37	Air Control Knob			
30	010/AY34	Riddling/Ashpan Tool			
31	002/AY27	Riddler Knob			
32	004/CY21	Air Bypass Slide			
33	004/CY22P	Primary Air Inlet Flap			
34	004/CY22S	Secondary Air Inlet Flap			
35	004/AY22-1S	Bypass Air Flap			

* These items are not shown on the drawing.



To obtain spare parts please contact your local stockist giving Model, Part No. and Description. In case of difficulty contact the manufacturer at the address shown.

This drawing is for identification purposes only.

CHARNWOOD Bishop sWay ,Newport ,Isle ofWigh tPO3 05WS ,Unite dKingdom

T :+4 4(0) 198 353777 7 F :+44(0) 198 353778 8 charnwood@ajwells.co.uk www.charnwood.com

Your Local Charnwood Premier Dealer:



CHARNWOOD Bishops Way, Newport, Isle of Wight PO30 5WS, United Kingdom

T:+44 (0)1983 537777 F:+44 (0)1983 537788 charnwood@ajwells.co.uk www.charnwood.com