

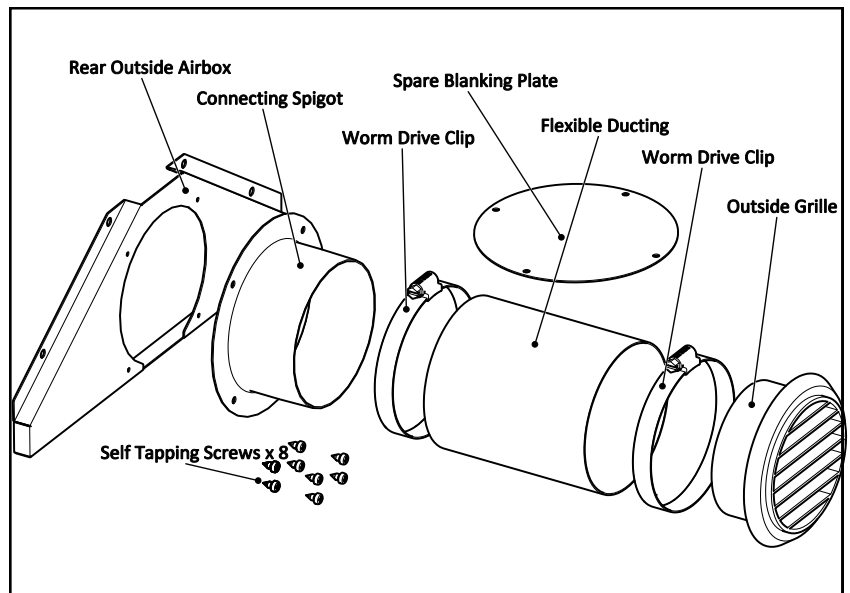


PUREVISION™ Freestanding Stoves

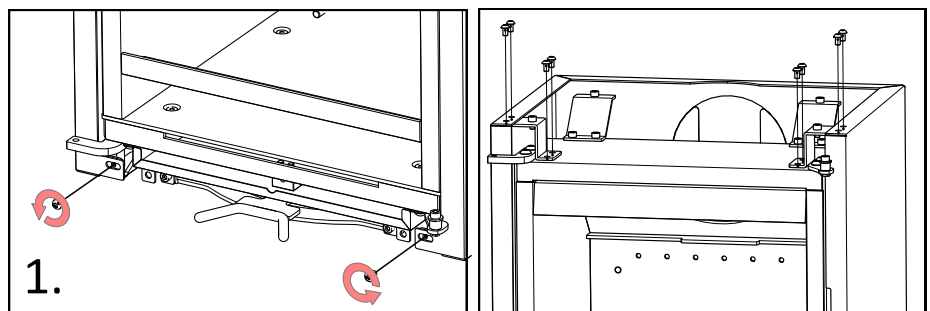
Dedicated outside air kit installation instructions:

A direct outside air connection can be made to the stove to supply air for combustion and operation of the flue. 100mm diameter flexible aluminium ducting or similar material is suitable. A length of up to 6m with 4 x 90 degree bends has been tested and found acceptable.

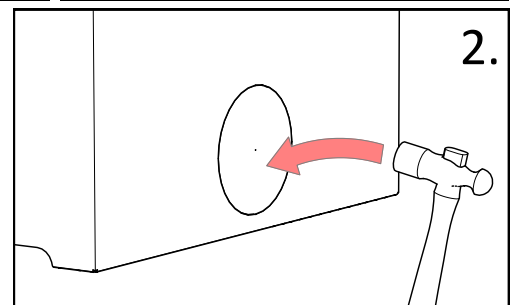
Check contents of kit as per the diagram.



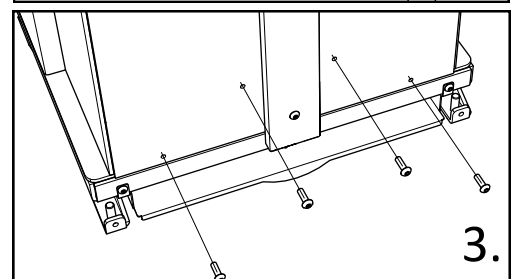
1. Refer to Maintenance Procedures section of the installation and user instructions to remove top plate, internal firebox components, grate riddling knob & rod and outer casing.



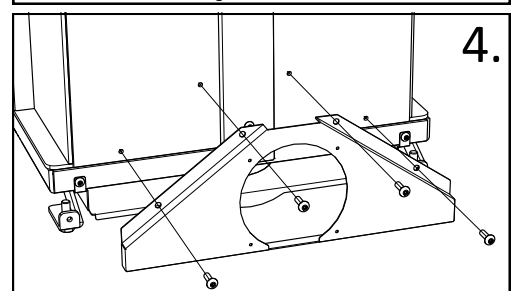
2. For a bottom air connection jump straight to 3 below. If a rear outside air connection is required carefully knock out the rear blanking plate that covers the aperture for the spigot to be connected.



3. Remove the 4 x screws that will secure the rear outside airbox onto the firebox. They will already be inserted into their holes and secured.

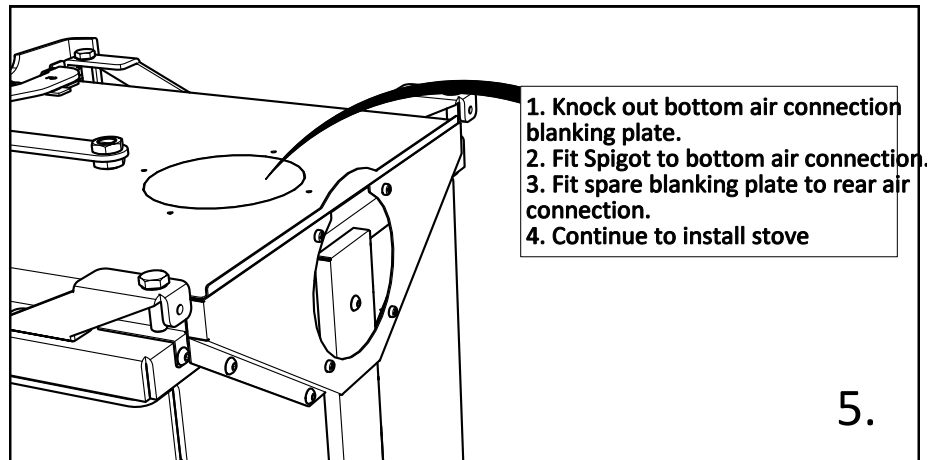


4. Attach the rear outside airbox with the 4 x screws provided. NEVER leave any of the holes empty as they may create an air leak into the stove.



Dedicated outside air kit installation instructions (cont'd):

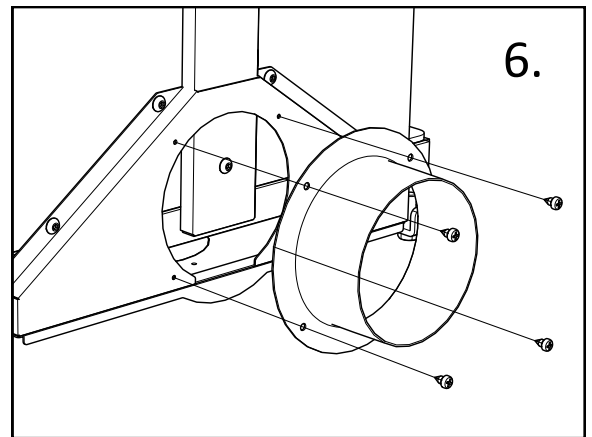
5. For rear air connection jump to section 6. below. For bottom air connection knock out the bottom blanking plate as shown. Fit spigot to bottom air connection. Fit blanking plate provided in kit to rear spigot connection.



6. For rear air connection fit spigot to the rear face of the airbox with the 4 x screws provided.

7. Re-fit the outer casing.

8. Continue to install the stove as required. Including preparation of the route for the 100mm diameter air ducting and preparation for placement of the outside air grille on the exterior of the property.



9. Connect the required length of 100mm diameter tubing to the air intake spigot of the stove with the clips provided.

10. Connect the outside air grille in the previously prepared location.

