

THERMOROSSI

BOSKY SQUARE 30 – F30

BOSKY SQUARE 30 – F30 (READY TO START)

ITA - MANUALE DI INSTALLAZIONE, USO E MANUTENZIONE.

FRA - MANUEL D'INSTALLATION, D'UTILISATION ET D'ENTRETIEN.

ENG - INSTALLATION, USE AND MAINTENANCE GUIDE.

DEU - INSTALLATIONS-, BETRIEBS- UND WARTUNGSANLEITUNG.

ESP - MANUAL DE INSTALACIÓN USO Y MANTENIMIENTO.



ITA – Informazioni importanti per la sicurezza ed il corretto funzionamento.

FRA - À lire impérativement! Informations importantes pour la sécurité et le bon fonctionnement.

ENG - Must read! Important information for safety and correct operation.

DEU - Unbedingt lesen! Wichtige Informationen zur Sicherheit und zum sicheren Betrieb.

ESP - ¡Leer! Informaciones importantes para la seguridad y el correcto funcionamiento.

INDEX

1 – INTRODUCTION.....	5
2 – TECHNICAL CHARACTERISTICS.....	7
3 – GENERAL DESCRIPTION	9
4 – INSTALLATION.....	11
5 – PLUMBING SYSTEM CONNECTIONS AND DIAGRAMS	13
6 – ASSEMBLING THE COMPONENTS.....	19
7 – USE OF THE APPLIANCE	21
8 - CLEANING AND MAINTENANCE	25
9 - SMOKE DISCHARGE TUBE.....	27
10 - PROBLEMS, CAUSES AND SOLUTIONS.....	30
11 - SPARE PARTS	31

EU Declaration of Conformity (DoC) / Dichiarazione di Conformità UE (DoC)

Company name: Azienda:	THERMOROSSI S.P.A.	Postal address: Indirizzo:	VIA GRUMOLO, N° 4
Postcode and city: Codice postale e città:	36011 ARSIERO (VI)	Telephone number: Numero di telefono:	0445/741310
E-mail address: Indirizzo e-mail:	INFO@THERMOROSSI.IT		

declare that the DoC is issued under our sole responsibility and belongs to the following product:
dichiara che la dichiarazione viene rilasciata sotto la propria responsabilità e si riferisce al seguente prodotto:

Apparatus model / Product: Descrizione prodotto:	WOOD STOVE STUFA A LEGNA	Trademark: Marchio:	THERMOROSSI
Models: Modelli:	BOSKY SQUARE 30 BOSKY SQUARE F30		

The object of the declaration described above is in conformity with the relevant Union harmonisation legislation:
L'oggetto della dichiarazione di cui sopra è conforme alla pertinente normativa di armonizzazione dell'Unione:

- | | |
|--|--|
| <ul style="list-style-type: none">• Direttiva 2014/30/UE, EMCD• Direttiva 2014/35/UE, LVD• Direttiva 2011/65/UE, RoHS | <ul style="list-style-type: none">• 2014/30/EU Directive, EMCD• 2014/35/EU Directive, LVD• 2011/65/EU Directive, RoHS |
|--|--|

Sono state applicate le seguenti norme armonizzate e/o specifiche tecniche:
The following harmonised standards and/or technical specifications have been applied:

EN 55014-1	EN 60335-1	
EN 55014-2	EN 60335-2-102	EN 50581
EN 61000-3-2	EN 62233	
EN 61000-3-3		

EN 13240 tests carried out by the notified laboratory Kiwa Cermet Italia S.p.a (N.B. 0476) Viale Venezia, 45 31020 San Vendemiano (TV).


Arsiero, 04/03/2021

Firma/Sign.


THERMOROSSI S.P.A.
Un Amministratore

Installation, use and maintenance guide
BOSKY SQUARE 30 – BOSKY SQUARE F30

THERMOROSSI <i>Fire Stoves</i>		DICHIARAZIONE DI PRESTAZIONE IN ACCORDO CON IL REGOLAMENTO (UE) 305/2011 DECLARATION OF PERFORMANCE ACCORDING TO REGULATION (EU) 305/2011		N° 40		
1	Codice di identificazione unico del prodotto-tipo: BOSKY SQUARE 30 <i>Unique identification code of the product type:</i>	2	Modello, lotto, serie ai sensi dell'articolo 11, paragrafo 4: BOSKY SQUARE 30 <i>Model, batch or serial number required under Article 11(4):</i>			
3	Usi previsti del prodotto da costruzione, conformemente alla relativa specifica tecnica armonizzata: <i>Intended uses of the construction product, in accordance with the applicable harmonised technical specification:</i> Apparecchio per il riscaldamento domestico, con acqua, alimentato a ceppi di legna / <i>Residential space heating appliance with water fired by wood logs</i>					
4	Nome registrato e indirizzo del fabbricante ai sensi dell'articolo 11, paragrafo 5: <i>Name and contact address of the manufacturer as required pursuant Article 11(5):</i> THERMOROSSI S.P.A. Via Grumolo, n° 4 36011 Arsiero (VI)	5	Nome e indirizzo del mandatario ai sensi dell'articolo 12, paragrafo 2: <i>Name and address of the agent as required pursuant Article 12(2):</i> -			
6	Sistema di valutazione e verifica della costanza della prestazione del prodotto da costruzione di cui all'allegato V: Sistema 3 <i>System of assessment and verification of constancy of performance of the construction product as set out in Annex V: System 3</i>					
7	Laboratorio notificato: <i>Notified laboratory:</i> KIWA CERMET ITALIA S.p.A. N° 0476	Numero del rapporto di prova secondo il sistema 3 / <i>Test report number based on System 3:</i> 3003511				
Prestazione dichiarata / Declared performance						
Specifica tecnica armonizzata/ <i>Harmonized technical specification:</i>			EN 13240:2001			
Caratteristiche Essenziali / <i>Essential characteristics</i>			Prestazione / Performance			
Reazione al fuoco / <i>Reaction to fire</i>			A1			
Distanza da materiali combustibili <i>Distance to combustible materials</i>			Minime distanze / <i>Minimum distances</i> (mm): posteriore/rear = 300 lati/sides = 300 frontale / front = 800 soffitto/ceiling = - pavimento / floor = -			
Rischio di fuoriuscita di braci incandescenti / <i>Risk of burning fuel falling out</i>			Conforme /Compliant			
Temperatura superficiale/ <i>Surface temperature</i>			Conforme /Compliant			
Sicurezza elettrica / <i>Electrical safety</i>			-			
8	Pulizia / <i>Cleanability</i>		Conforme /Compliant			
Emissione di prodotti della combustione / <i>Emission of combustion products</i>			CO = 891 mg/m³ a potenza termica nominale / <i>CO at Nominal heat output</i>			
Pressione massima di esercizio / <i>Maximum operating pressure</i>			2.5 bar			
Temperatura fumi a potenza termica nominale / <i>Flue gas temperature at nominal heat output</i>			T 178 °C			
Resistenza meccanica (per sopportare il camino) / <i>Mechanical resistance (to carry a chimney)</i>			NPD {No Determined Performance}			
Potenza termica nominale / <i>Nominal heat output</i>			17.90 kW			
Potenza termica resa in ambiente / <i>Room heating output</i>			7.66 kW			
Potenza termica ceduta all'acqua / <i>Water heating output</i>			10.24 kW			
Rendimento / <i>Efficiency</i>			88.19 % Alla potenza termica nominale / <i>Nominal heat output</i>			
9	La prestazione del prodotto di cui ai punti 1 e 2 è conforme alla prestazione dichiarata di cui al punto 8. Si rilascia la presente dichiarazione di prestazione sotto la responsabilità esclusiva del fabbricante di cui al punto 4. <i>The performance of the product identified in points 1 and 2 is in conformity with the declared performance in point 8. This declaration of performance is issued under the sole responsibility of the manufacturer identified in point 4.</i> Arsiero, 04/03/2021				Firma/Signature:  THERMOROSSI S.P.A. Un amministratore	

THERMOROSSI <i>Fire Stoves</i>		DICHIARAZIONE DI PRESTAZIONE IN ACCORDO CON IL REGOLAMENTO (UE) 305/2011 DECLARATION OF PERFORMANCE ACCORDING TO REGULATION (EU) 305/2011		N° 41		
1	Codice di identificazione unico del prodotto-tipo: BOSKY SQUARE F30 <i>Unique identification code of the product type:</i>	2	Modello, lotto, serie ai sensi dell'articolo 11, paragrafo 4: BOSKY SQUARE F30 <i>Model, batch or serial number required under Article 11(4):</i>			
3	Usi previsti del prodotto da costruzione, conformemente alla relativa specifica tecnica armonizzata: <i>Intended uses of the construction product, in accordance with the applicable harmonised technical specification:</i> Apparecchio per il riscaldamento domestico, con acqua, alimentato a ceppi di legna / <i>Residential space heating appliance with water fired by wood logs</i>					
4	Nome registrato e indirizzo del fabbricante ai sensi dell'articolo 11, paragrafo 5: <i>Name and contact address of the manufacturer as required pursuant Article 11(5):</i> THERMOROSSI S.P.A. Via Grumolo, n° 4 36011 Arsiero (Vicenza)	5	Nome e indirizzo del mandatario ai sensi dell'articolo 12, paragrafo 2: <i>Name and address of the agent as required pursuant Article 12(2):</i> -			
6	Sistema di valutazione e verifica della costanza della prestazione del prodotto da costruzione di cui all'allegato V: Sistema 3 <i>System of assessment and verification of constancy of performance of the construction product as set out in Annex V: System 3</i>					
7	Laboratorio notificato: <i>Notified laboratory:</i> KIWA CERMET ITALIA S.p.A. N° 0476	Numero del rapporto di prova secondo il sistema 3 / <i>Test report number based on System 3:</i> 3003511				
Prestazione dichiarata / Declared performance						
Specifica tecnica armonizzata/ <i>Harmonized technical specification:</i>			EN 13240:2001			
Caratteristiche Essenziali / <i>Essential characteristics</i>			Prestazione / Performance			
Reazione al fuoco / <i>Reaction to fire</i>			A1			
Distanza da materiali combustibili <i>Distance to combustible materials</i>			Minime distanze / <i>Minimum distances</i> (mm): posteriore/rear = 300 lati/sides = 300 frontale / front = 800 soffitto/ceiling = - pavimento / floor = -			
Rischio di fuoriuscita di braci incandescenti / <i>Risk of burning fuel falling out</i>			Conforme /Compliant			
Temperatura superficiale/ <i>Surface temperature</i>			Conforme /Compliant			
Sicurezza elettrica / <i>Electrical safety</i>			-			
8	Pulizia / <i>Cleanability</i>		Conforme /Compliant			
Emissione di prodotti della combustione / <i>Emission of combustion products</i>			CO = 891 mg/m³ a potenza termica nominale / <i>CO at Nominal heat output</i>			
Pressione massima di esercizio / <i>Maximum operating pressure</i>			2.5 bar			
Temperatura fumi a potenza termica nominale / <i>Flue gas temperature at nominal heat output</i>			T 178 °C			
Resistenza meccanica (per sopportare il camino) / <i>Mechanical resistance (to carry a chimney)</i>			NPD {No Determined Performance}			
Potenza termica nominale / <i>Nominal heat output</i>			17.90 kW			
Potenza termica resa in ambiente / <i>Room heating output</i>			7.66 kW			
Potenza termica ceduta all'acqua / <i>Water heating output</i>			10.24 kW			
Rendimento / <i>Efficiency</i>			88.19 % alla potenza termica nominale / <i>Nominal heat output</i>			
9	La prestazione del prodotto di cui ai punti 1 e 2 è conforme alla prestazione dichiarata di cui al punto 8. Si rilascia la presente dichiarazione di prestazione sotto la responsabilità esclusiva del fabbricante di cui al punto 4. <i>The performance of the product identified in points 1 and 2 is in conformity with the declared performance in point 8. This declaration of performance is issued under the sole responsibility of the manufacturer identified in point 4.</i> Arsiero, 04/03/2021				Firma/Signature:  THERMOROSSI S.P.A. Un amministratore	

IT – SCHEDA PRODOTTO (UE 2015/1186) EN – PRODUCT FICHE (EU 2015/1186) FR – FICHE PRODUIT (UE 2015/1186) NL – PRODUCTGEGEVENSBLAD (EU 2015/1186) DE – PRODUKTDATENBLATT (EU 2015/1186) ES – FICHA DE PRODUCTO (UE 2015/1186)	IT – MARCHIO EN – BRAND FR – MARQUE NL – MERK DE – MARKE ES – MARCA	THERMOROSSI S.P.A.	
IT – MODELLO EN – MODEL FR – MODÈLE NL – MODEL DE – MODELL ES – MODELO		BOSKY SQUARE 30	BOSKY SQUARE F30
IT – CLASSE DI EFFICIENZA ENERGETICA EN – ENERGY EFFICIENCY CLASS FR – CLASSE D'EFFICACITÉ ÉNERGÉTIQUE NL – ENERGIE EFFICIENTIEKLASSE DE – ENERGIEEFFIZIENZKLASSE ES – CLASE DE EFICIENCIA ENERGÉTICA		A +	A +
IT – POTENZA TERMICA DIRETTA EN – DIRECT HEAT OUTPUT FR – PUISSANCE THERMIQUE DIRECTE NL – DIREKTE WARMTEAFGIFTE DE – DIREKTE WÄRMELEISTUNG ES – POTENCIA CALORÍFICA DIRECTA		7,7 kW	7,7 kW
IT – POTENZA TERMICA INDIRETTA EN – INDIRECT HEAT OUTPUT FR – PUISSANCE THERMIQUE INDIRECTE NL – INDIRECTE WARMTEAFGIFTE DE – INDIRECTE WÄRMELEISTUNG ES – POTENCIA CALORÍFICA INDIRECTA		10,2 kW	10,2 kW
IT – INDICE DI EFFICIENZA ENERGETICA EN – ENERGY EFFICIENCY INDEX FR – INDICE D'EFFICACITÉ ÉNERGÉTIQUE NL – ENERGIE-EFFICIENTIE-INDEX DE – ENERGIEEFFIZIENZINDEX ES – ÍNDICE DE EFICIENCIA ENERGÉTICA		118	118
IT – EFFICIENZA UTILE ALLA POTENZA TERMICA NOMINALE EN – USEFUL ENERGY EFFICIENCY AT NOMINAL HEAT OUTPUT FR – RENDEMENT UTILE À LA PUISSANCE THERMIQUE NOMINALE NL – NUTTIG RENDEMENT BIJ NOMINAAL VERMOGEN DE – BRENNSTOFF-ENERGIEEFFIZIENZ BEI NENNWÄRMELEISTUNG ES – EFICIENCIA ENERGÉTICA ÚTIL A POTENCIA CALORÍFICA NOMINAL		88,2%	88,2%
IT – EFFICIENZA UTILE AL CARICO MINIMO EN – USEFUL ENERGY EFFICIENCY AT MINIMUM LOAD FR – RENDEMENT UTILE À LA CHARGE MINIMALE NL – NUTTIG RENDEMENT BIJ MINIMALE WARMTEAFGIFTE DE – BRENNSTOFF-ENERGIEEFFIZIENZ BEI MINDESTLAST ES – EFICIENCIA ENERGÉTICA ÚTIL A CARGA MINIMA		-	-
IT – RISPETTARE TUTTE LE ISTRUZIONI RIPORTATE SUL MANUALE DI INSTALLAZIONE USO E MANUTENZIONE EN – ALWAYS FOLLOW THE INSTRUCTIONS PROVIDED IN THE OPERATING AND MAINTENANCE MANUAL FR – RESPECTER TOUTES LES INSTRUCTIONS CITÉES DANS LA NOTICE D'INSTALLATION, UTILISATION ET ENTRETIEN NL – VOLG ALTIJD DE INSTRUCTIES VAN DE INSTALLATIE-, GERUIKERSHANDLEIDING EN DE ONDERHOUDSVOORSCHRIFTEN DE – ERFÜLLEN DIE ANWEISUNGEN DER INSTALLATION, NUTZUNG UND WARTUNG, DIE IN DER ANLEITUNGSBUCH SIND ES – RESPECTAR LAS INSTRUCCIONES REPORTADAS EN EL MANUAL DE UTILIZACIÓN Y MANTENIMIENTO			

1 – INTRODUCTION

1.1 SAFETY GUIDELINES

This installation, use and maintenance manual is an integral and essential part of the product and must be kept by the user. Before commencing with the installation, use and maintenance of the product, carefully read this guide. All local, national and European regulations regarding the installation and use of the appliance must be met. The Manufacturer recommends carrying out all the maintenance operations described in this manual.

This appliance must only be used as intended by the manufacturer. Any other use is considered incorrect and therefore hazardous; consequently, the user shall be totally liable for the product if used improperly. Installation, maintenance and repairs must be carried out by professionally qualified personnel, certified according to Decree no. 37 of 22 January 2008 and in compliance with current regulations. In case of repairs only original spare parts supplied by the manufacturer must be used. Incorrect installation or poor maintenance can injure or damage people, animals or things; in this case the manufacturer shall be relieved of all responsibility. Any repairs or actions carried out on any systems, components or internal parts of the appliance, or on any of the accessories supplied with it, that are not specifically authorised by Thermorossi S.p.A, will automatically void the warranty and the manufacturer's responsibility, pursuant to Italian Decree no. 224 of the President of the Republic of 24/05/1988, art. 6/b. It is recommended to keep this manual in a safe place that is easily accessible to all users. If the manual is lost or deteriorated contact the manufacturer for a replacement copy. If the appliance is sold or transferred to another user ensure that the manual is handed over with it. The images and figures featured in this manual are purely illustrative and may differ from the actual product. Furthermore, Thermorossi reserves the right to apply changes to the content of this manual anytime and without notice.

Thermorossi S.p.A. retains copyright on this manual. These instructions may not be reproduced or communicated to third parties or used in any other way without the necessary authorisation.

1.2 SAFETY STANDARDS



PERSONAL INJURY

This safety symbol identifies important messages throughout the manual. Read the information marked by this symbol carefully as non-observance of this message can cause serious injury to persons using the appliance.



DAMAGE TO PROPERTY

This safety symbol identifies messages or instructions that are fundamental for the appliance and system to function well. To avoid serious damage to the appliance adhere strictly to these instructions.



INFORMATION

This symbol indicates important instructions for good functioning of the appliance. If this information is not correctly observed, the performance of the appliance will not be satisfactory.

1.3 RECOMMENDATIONS



Read this entire use and maintenance manual carefully before using the appliance as familiarity with the information and instructions contained in it are essential for the correct use of the appliance.

No responsibility will be accepted for damages, even to third parties, if the instructions for installation, use and maintenance of the appliance are not followed scrupulously. Modifications made to the appliance by the user or on his behalf, must be considered to be under his complete responsibility. The user is responsible for all the operations required for the maintenance of the appliance before and during its use.



Should you notice an excessive stagnation of flue gas in the combustion chamber, move away from the appliance immediately. In particular move away from the glass door of the combustion chamber. The excessive concentration of unburned gases could create an explosion that could break the glass. Do not open the loading door for any reason whatsoever and do not approach the product until the flame has died down. Contact a technical service centre to determine the causes. Do not turn on the appliance for any reason whatsoever following an event such as this.

1.4 GENERAL GUIDELINES



Attention: the appliance must be connected to a system provided with a PE conductor (in compliance with the specifications concerning low-voltage equipment). Before installing the appliance check the efficiency of the earth circuit of the power supply system.

Attention: the cable section must in any case be no less than 1.5 mm². The appliance requires powering with a voltage of 230 V and 50 Hz. Position the appliance so that the electric power outlet in the room is easily accessible. Ensure that a suitable differential switch is installed upstream from the equipment.

The product must not be used by children under the age of 8 years, by persons with physical, mental or sensorial impairments, or by persons who are not familiar with the instructions for use and maintenance of the product (the instructions are found in this booklet). Children must not play with the appliance.

ATTENTION: before each use make sure that the grate and the ash pan are perfectly clean and check that the firebox door is firmly closed and airtight.

BOSKY SQUARE 30 – BOSKY SQUARE F30

ATTENTION: it is strictly forbidden to open the door while the flame is still burning. During operation, the smoke exhaust pipes, door, handles and some parts of the appliance may reach extremely high temperatures: be careful not to touch them and also educate children to be aware of said risks. Do not expose your body to hot air for long, do not overheat the room in which the appliance is installed, as these actions could cause health problems. Do not expose plants or animals directly to the hot air flow as this could have noxious effects on them. It is prohibited to use any liquids or gases such as alcohol, petrol, etc. to light or rekindle the fire, use only thin wood. Do not place non-heat resistant or inflammable or combustible objects in the vicinity of the appliance: keep them at a suitable distance. Do not place wet clothing to dry on the appliance. When using a clothes horse, keep at a suitable distance. It is strictly prohibited to disconnect the appliance from the electrical power mains while it is in operation.



Caution: do not wet the appliance and do not touch the electrical parts with wet hands. Never vacuum hot ash: this could damage the vacuum device. All the cleaning operations described in this manual must be carried out when the appliance is cold and shut off.



Attention! Warning for Swiss users

Refer to the local cantonal regulations imposed by the Fire Department (Mandatory signalling and safety distances) and the Note concerning installation of heaters issued by the Association of Cantonal Fire Agencies (VKF - AEAI).



ATTENTION: it is mandatory to earth the appliance. If this instruction is not observed serious damage, which is not covered by warranty, will result to the body of the appliance. Have an electrician check the earthing. There must be no electric potential (Volt) between the earth of the generator and the actual earth of the system.

1.5 TRANSPORTATION AND STORAGE

TRANSPORTATION AND HANDLING

The appliance body must always be handled exclusively by means of trolleys. Take special care to protect the glass and all the fragile parts from mechanical impact which could damage them and their correct functioning.

STORAGE

The appliance must be stored in a humid-free environment and sheltered from the weather; avoid placing the appliance directly on the ground. The Company denies all responsibility for damage caused to wood floors or floors made from any other material. It is inadvisable to store the product for long periods of time.

1.6 GUIDELINES FOR CORRECT DISPOSAL OF THE PRODUCT



At the end of the product's useful life, it must be disposed of in compliance with applicable regulations and in respect of the environment, not with urban waste. The product must be consigned to designated sorted waste collection centres for the disposal of waste authorised by the local municipal councils. Correct disposal not only helps safeguard the environment but it also promotes recovery and recycling of the materials.

2 – TECHNICAL CHARACTERISTICS

	BOSKY SQUARE 30	BOSKY SQUARE F30
Height (mm)	968	968
Depth (mm)	717	717
Width (mm)	750	1,060
Weight (kg)	225	300
Ø Internal smoke outlet (mm)	150	150
Ø External smoke outlet (mm)	154	154
Minimum draught (Pa)	18	18
Maximum permitted fuel feed kg ***	4.5	4.5
Maximum hourly consumption (kg/h) ***	4,7	4,7
Average load duration (Min) **	63	63
Firebox power (kW) **	20.30	20.30
Rated power (kW) **	17.90	17.90
Output to water (kW) **	10.24	10.24
Output to the room (kW) **	7.66	7.66
Efficiency (%) **	88.19	88.19
CO emissions (mg/m ³ at 13% O ₂) **	891	891
Heatable volume (m ³) *	480	480
Average smoke temperature (°C) **	178	178
Smoke flow rate (g/s) **	12,6	12,6
Water content (l)	29	29
Minimum working pressure	1.0	1.0
Maximum working pressure	2.5	2.5
Max delivery water temperature (°C)	80	80
Min water return temperature (°C)	55	55
Firebox feed opening dimensions (mm) (LxH)	220 X 280	220 X 280
Firebox dimensions (mm) (LxHxD)	290 x 500 x 440	290 x 500 x 440
Oven dimensions (mm) (LxHxD)	-	340 X 300 X 500
Power supply voltage and frequency (V – Hz)	230 – 50	230 – 50

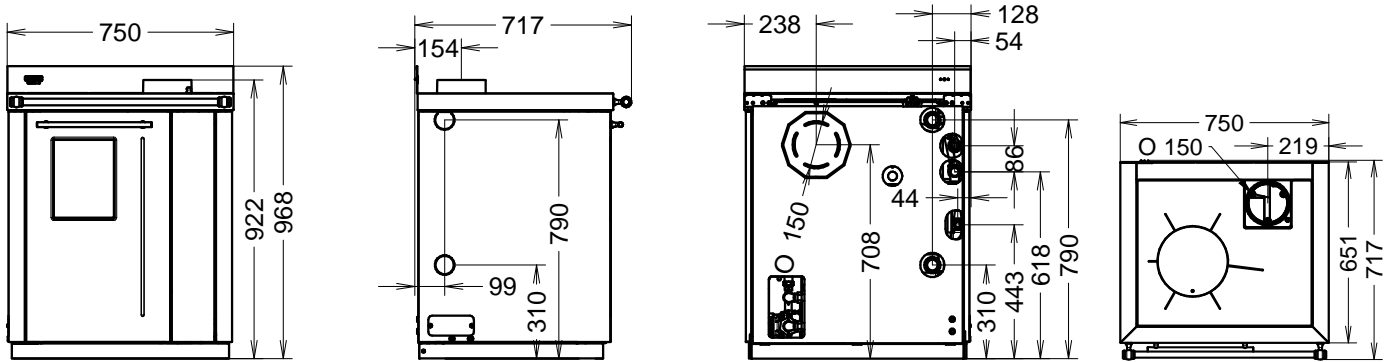
** **IMPORTANT:** It is important to take into consideration the fact that the heatable volume is greatly influenced by the insulation of the house (energy class of the building) and by the position of the appliance in the planimetry of the house, therefore the indicated values may vary, even significantly.

** **ATTENTION:** The indicated values were obtained using beechwood logs (4 logs) with thermal value less than or equal to 15,429 kJ/kg and moisture content less than 15%. The use of poorer quality firewood than that specified results in lower yield and lower efficiency, and produces more ash. Moreover the glass on the feed door will become dirtier sooner.

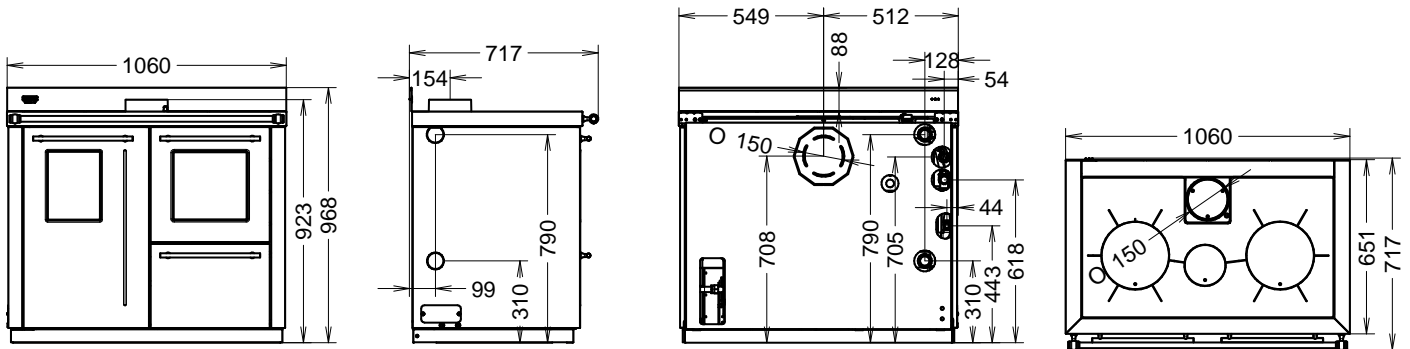
*** It is strictly prohibited to load a greater quantity of fuel than that specified in the table. The warranty will not cover damages caused by the prolonged exposure of the appliance to temperatures that are too high.

2.1 DIMENSIONS

BOSKY SQUARE 30



BOSKY SQUARE F30



3 – GENERAL DESCRIPTION

3.1 THE FUEL

The fuel for this appliance is ordinary wood billets with a moisture content between 10% and 20% and with a thermal value of 13,000 to 15,429 Kcal/kg. We recommend using beech or common hornbeam. If using wood with a lower moisture content or with a higher thermal value, the heat produced by the stove will be greater.

The awareness and use of the right fuel are important aspects to be observed in order to ensure correct operation and long service life of the appliance. To this end we recommend using only dry, well-seasoned wood. We recommend against using wet wood or wood that has been seasoned for less than 18/20 months, as this could be the cause of malfunctions and the formation of tarry deposits that could permanently blacken the walls of the combustion chamber.

We recommend using logs with a length of 250 mm (max recommended section Ø 80 mm) and loading a maximum of 3-4 logs.



MAXIMUM PERMITTED FUEL FEED: 4.5 kg
THE FUEL FEED INTERVALS MUST NOT BE LESS THAN 1 HR. LOADING A LARGER QUANTITY OF FUEL OR LOADING SEVERAL TIMES IN AN HOUR EXPOSES THE APPLIANCE TO VERY HIGH TEMPERATURES. FOR THIS REASON THE WARRANTY WILL NOT COVER ANY DAMAGE CAUSED BY PROLONGED EXPOSURE OF THE APPLIANCE TO THESE TEMPERATURES.



The use of fuel that does not comply with the above specifications or the use of different substances or fuels will immediately void the appliance warranty. The appliance must not be used as an incinerator, and it is prohibited to use any liquid or gas fuel. Do not overload the stove with excessive quantities of fuel; adhere strictly to the maximum declared consumption.

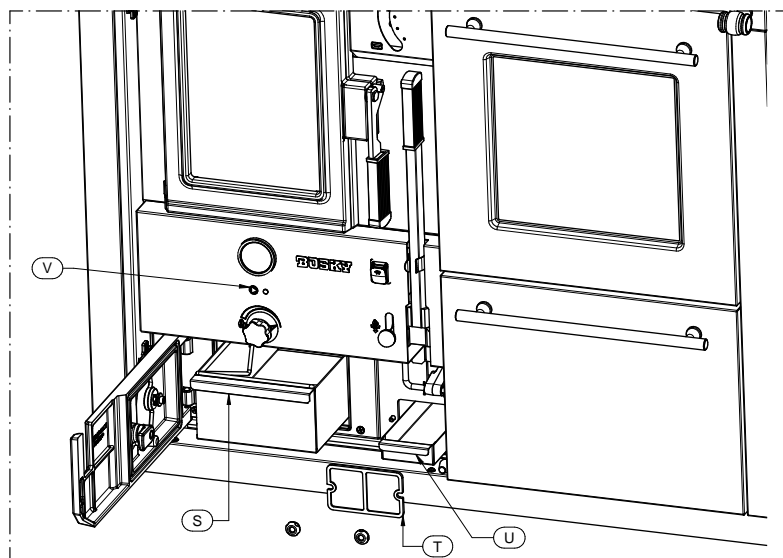


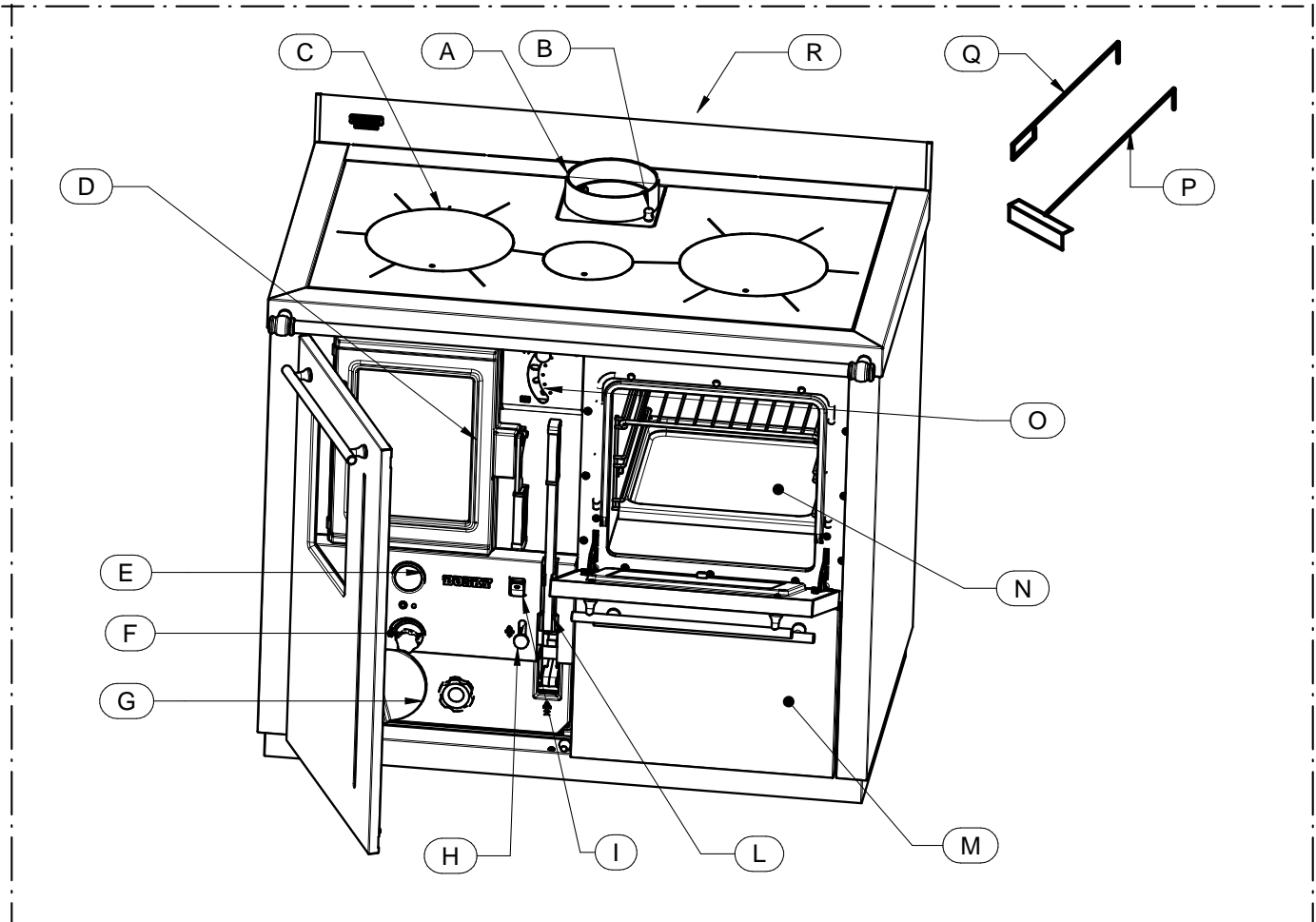
It is strictly prohibited to store combustible or inflammable material in the compartment under the oven. The temperature inside can reach very high levels.

3.2 MAIN COMPONENTS

KEY

A	Top smoke exhaust
B	Starter
C	Cooktop
D	Feed door
E	Thermometer – Water pressure gauge
F	Primary air control
G	Adjustment ring for rekindling the fire
H	Grate adjustment handle release mechanism
I	Oven light switch (only F30)
L	Grate height adjustment handle
M	Under-oven compartment (only F30)
N	Oven (only F30)
O	Smoke deviator flap (only F30)
P	Scraper
Q	Riddling tool
R	Rear smoke exhaust
S	Main ash pan
T	Inspection cover
U	Secondary ash pan
V	Pump active indicator light





B – Starter

This device creates a direct bypass for the flue gases which facilitates both the lighting and refuelling operations. The riddling tool provided must be used when activating it and only when lighting or stoking the fire.

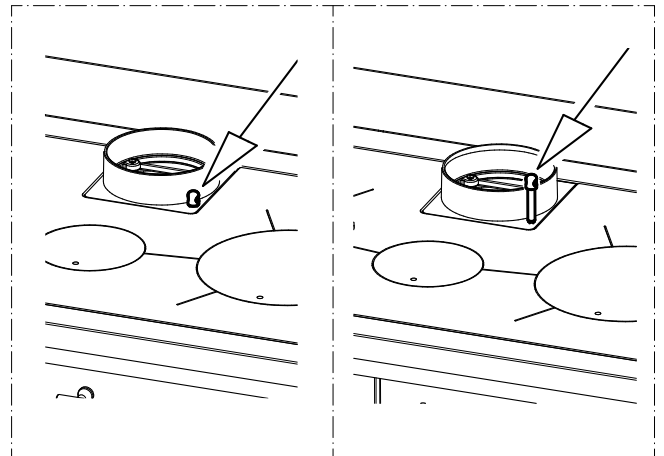


IT IS STRICTLY PROHIBITED TO LEAVE THE STARTER OPEN DURING NORMAL OPERATION.

Leaving the starter open during normal operation results in higher fuel consumption than the declared quantity, a considerable drop in efficiency and exposure of the appliance to extremely high temperatures. For this reason the warranty does not cover any direct or indirect damages caused by prolonged exposure of the appliance to these temperatures.

ATTENTION: The temperature of the starter is very hot while the appliance is operating, so take care not to touch it. The riddling tool provided must be used when handling it.

Moving the Starter upwards activates the direct bypass for the flue gases, whereas on the contrary, pushing it downwards activates the normal flue gas path.



F – Primary air control

It is used to regulate the primary air inflow. The primary air passes through the grate of the firebox and fuels the combustion to determine its power and speed. Turn the control to the right to reduce the air inflow. On the contrary, turn the control to the left to increase the air inflow. To prevent or limit condensation, it is recommended to keep the control near the pump active indicator light.

4 – INSTALLATION

4.1 APPLIANCE LOCATION



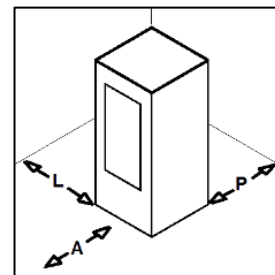
Follow the general guidelines set out in paragraph 1.1 to the letter. Be aware that the flooring of the installation site must be capable of withstanding the weight of the appliance and the water contained in it. If this requirement is not met, it is obligatory to adopt countermeasures (for example, load distribution plate ...).



ATTENTION: The room where the appliance is installed must be well ventilated and free from humidity and salty air. A high level of humidity or saltiness in the room can lead to the onset of rust or corrosion which will not be covered by warranty. The appliance must be positioned at a minimum safe distance from walls and furnishings. If inflammable materials are located in the vicinity of the appliance (e.g.: matchboarding, furniture, curtains, pictures and paintings, sofas) it is mandatory to comply with the minimum distances illustrated on the side.



If the flooring is made of wood or any other combustible material, it is mandatory to install a fireproof floor protector plate between the appliance and the floor. Installation in the vicinity of heat-sensitive materials is only permitted if suitable insulating and fireproof protection is placed between the object and the appliance (ref. Uni 10683). Failure to observe this instruction will immediately invalidate the warranty.



A = 800 mm
L = 300 mm
P = 300 mm

The installer must issue a certificate of conformity for the installation which includes the design plans and the following documents:

- a) Report containing the type of materials utilised.
- b) Project as defined in Article 5 of Ministerial Decree n° 37 22 January 2008.
- c) References to existing partial or previous declarations of conformity (e.g. flue outlet).
- d) Copy of the certificate of recognition of the professional technical qualifications.



These documents must, by law, be kept together with the installation, use and maintenance manual. The customer is responsible for verifying, directly or indirectly, that the installation has been carried out to perfection in accordance with relevant regulations in force. Do not install the appliance in unsuitable rooms such as bedrooms, bathrooms, garages and/or lock-ups. It is forbidden to place the appliance in environments with an explosive atmosphere.

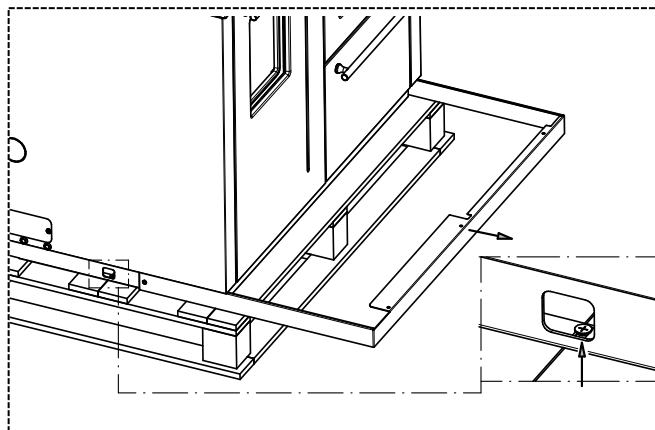
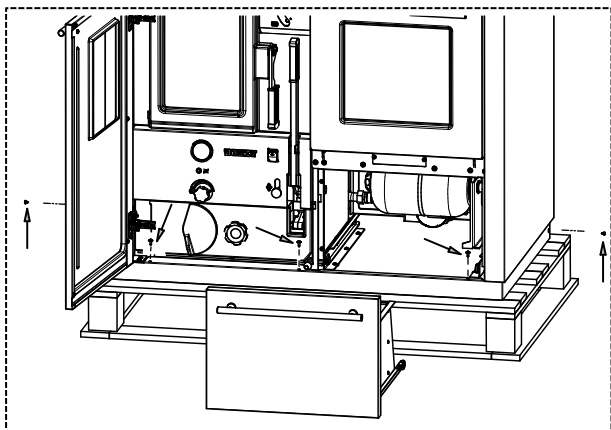


ATTENTION, the appliance is not simply a household appliance: if the instructions set out in this manual are not followed and/or if installation of the appliance is not executed perfectly and/or the provisions in force are not strictly complied with, dangerous conditions could arise for both objects and persons. It is the user's responsibility to verify the presence, in the room, of a vent necessary for supplying oxygen to the appliance. It is strictly prohibited to install the appliance as inset or next to furniture.

4.2 UNPACKING THE APPLIANCE

The appliance is delivered packaged on a pallet; use lift trucks only to move it. To remove the appliance from the pallet proceed as follows:

- Remove the cover and the wooden side panels secured to the pallet.
- For versions with an oven, pull out the compartment located under the oven and remove it.
- Remove the bottom frame by undoing the 3 screws at the front and the 2 on the sides, as indicated in the figures below.
- Remove the two screws on the sides that secure the appliance to the pallet, as indicated in the figures below.
- Remove the appliance from the pallet with the aid of a trolley. Slip the bottom of the trolley under the back part of the appliance and tip the trolley back onto its wheels. Given the weight of the appliance we recommend that this operation be carried out by two people. Take care when lifting the appliance as the centre of gravity of the weight is concentrated at the front.
- Check that all the movable components are in place; also remove any labels, self-adhesive materials or protective film from the cooktop.
- Position the appliance and re-mount the bottom frame.



4.3 CONNECTION TO THE FLUE OUTLET

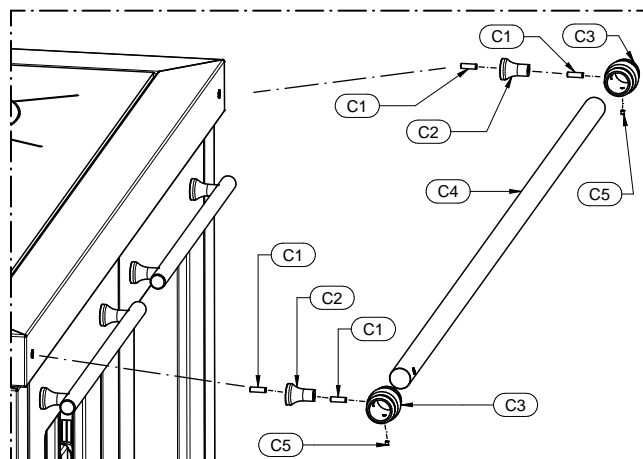


Connection of the appliance to the flue outlet must be carried out in strict compliance with the instructions contained in this booklet and particularly with those in the dedicated chapter.

4.4 INSTALLATION OF THE HANDRAIL

To mount the front handrail proceed as follows:

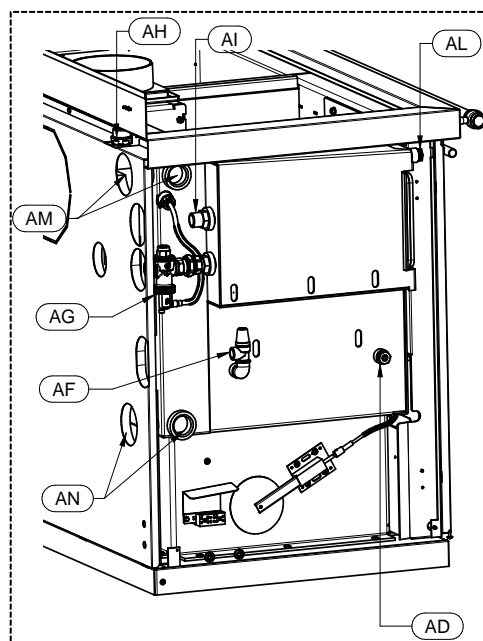
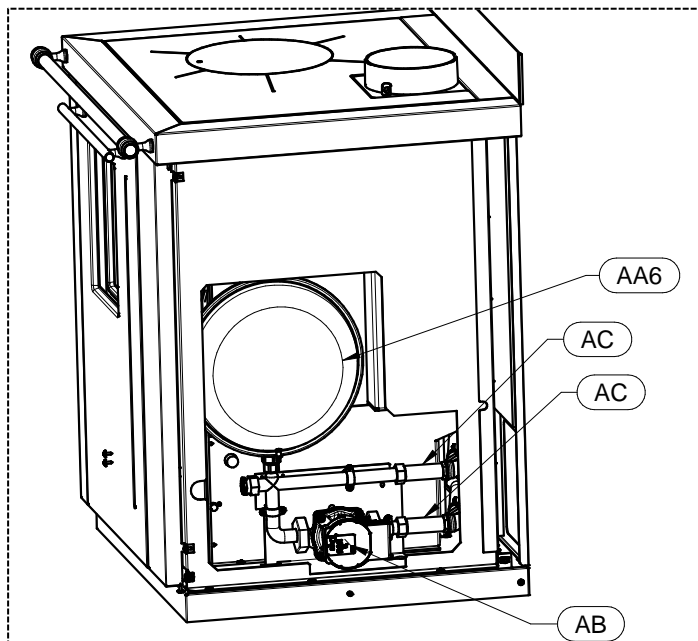
- Tighten the screws (C1) in the holes provided in the front section of the appliance.
- Fix the spacers (C2) to the screws (C1) that you have just fastened.
- Fasten the screws (C1) to the spacers (C2).
- Fasten the bushings (C3) to the screws (C1).
- Next align the bushings (C3) and insert the handrail (C4).
- Secure the assembly with the grub screws (C5).



5 – PLUMBING SYSTEM CONNECTIONS AND DIAGRAMS

5.1 GENERATOR PLUMBING COMPONENTS

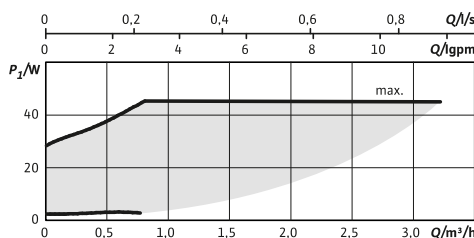
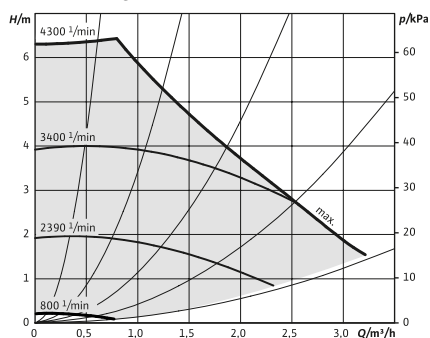
BOSKY SQUARE 30



KEY

AA6	Dedicated 6-litre expansion tank for appliance protection (ONLY IN THE READY TO START VERSION)	AB	Circulating pump (ONLY IN THE READY TO START VERSION)
AC	Gate valve (ONLY IN THE READY TO START VERSION)	AD	Pocket for pressure gauge bulb
AF	Safety valve 3 bar 1/2" F (ONLY IN THE READY TO START VERSION)	AG	Thermal relief valve inlet – safety heat exchanger inlet 3/4" F (ONLY IN THE READY TO START VERSION)
AH	Automatic relief valve	AI	Thermal relief valve outlet – safety heat exchanger outlet 3/4" M (ONLY IN THE READY TO START VERSION)
AL	Pocket for thermometer bulb	AM	Delivery tube system 1 1/4" F
AN	System return fitting 1 1/4" F		

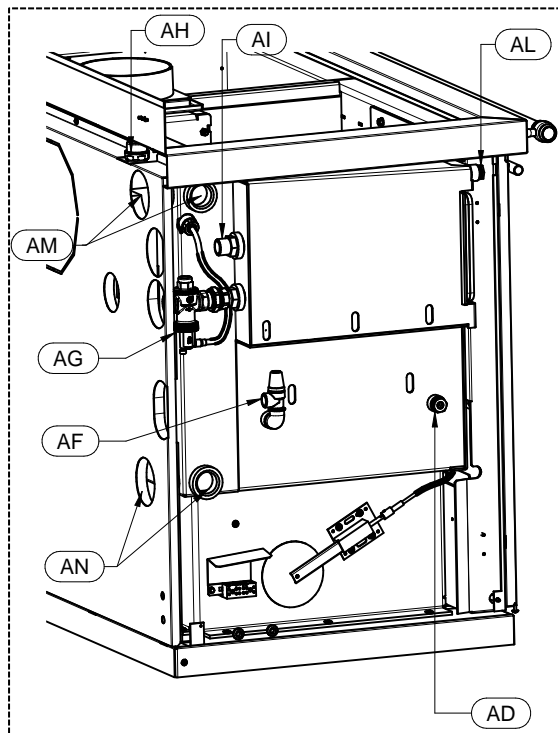
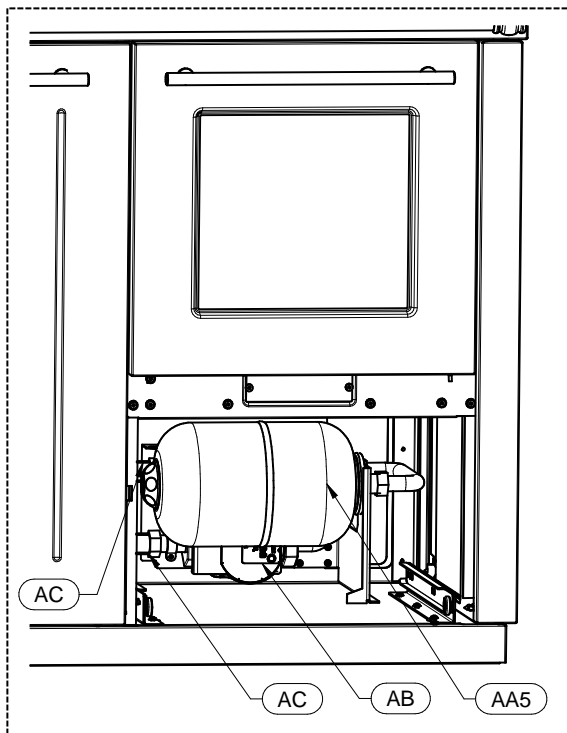
The circulating pump installed as standard **ONLY IN THE READY TO START VERSION** has the following characteristics:



The thermal relief valve installed as standard **ONLY IN THE READY TO START VERSION** has the following technical characteristics:

- Double safety sensor
- Maximum working pressure: 10 bar
- Minimum working pressure: 1.5 bar
- Temperature range: 5÷110°C
- Calibration temperature 98°C
- Discharge capacity with $\Delta p = 1$ bar and $T=110^\circ\text{C}$: 3000 l/h
- Capillary tube length: 130 mm
- Certified EN 14597

BOSKY SQUARE F30



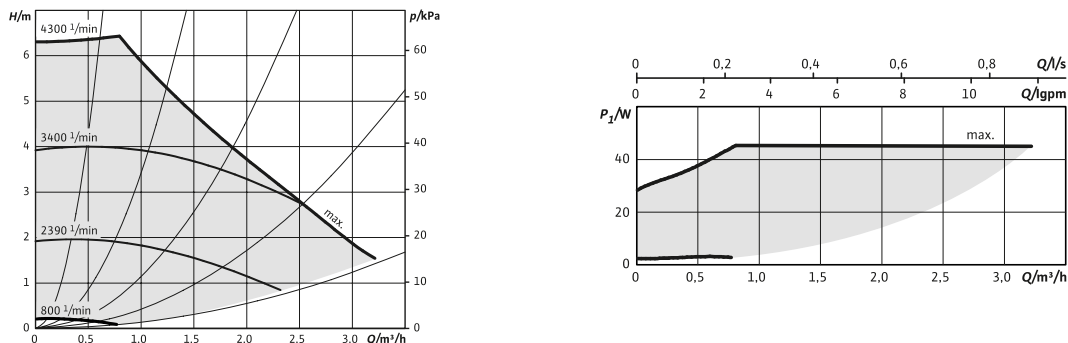
KEY

AA5	Dedicated 5-litre expansion tank for appliance protection (ONLY IN THE READY TO START VERSION)	AB	Circulating pump (ONLY IN THE READY TO START VERSION)
AC	Gate valve (ONLY IN THE READY TO START VERSION)	AD	Pocket for pressure gauge bulb
AF	Safety valve 3 bar 1/2" F (ONLY IN THE READY TO START VERSION)	AG	Thermal relief valve inlet – safety heat exchanger inlet 3/4" F (ONLY IN THE READY TO START VERSION)
AH	Automatic relief valve	AI	Thermal relief valve outlet – safety heat exchanger outlet 3/4" M (ONLY IN THE READY TO START VERSION)
AL	Pocket for thermometer bulb	AM	Delivery tube system 1 1/4" F
AN	System return fitting 1 1/4" F		

Installation, use and maintenance guide

BOSKY SQUARE 30 – BOSKY SQUARE F30

The circulating pump installed as standard **ONLY IN THE READY TO START VERSION** has the following characteristics:



The thermal relief valve installed as standard **ONLY IN THE READY TO START VERSION** has the following technical characteristics:

- Double safety sensor
- Maximum working pressure: 10 bar
- Minimum working pressure: 1.5 bar
- Temperature range: 5÷110°C
- Calibration temperature 98°C
- Discharge capacity with $\Delta p = 1$ bar and $T=110^\circ\text{C}$: 3000 l/h
- Capillary tube length: 130 mm
- Certified EN 14597

5.2 GUIDELINES FOR THE HYDRAULIC SYSTEM



The hydraulic system must be installed by qualified personnel who are familiar with the standards mentioned above and who have the appropriate professional requirements to release the declaration of conformance in accordance with Ministerial Decree n° 37 of 22 January 2008. The system must be suitably sized in relation to the power of the generator.



ATTENTION: it is mandatory to earth the generator. If this instruction is not observed serious damage, which is not covered by warranty, will result to the body of the appliance. Have a skilled electrician check the earthing. There must be no electric potential (Volt) between the generator earth and the plant's real earth (earth plate). To prevent electrochemical corrosion of the appliance body do not use galvanised pipes and fittings. Other materials must be earthed with special earthing cables in order to obtain a unipotential earthing system.



ATTENTION: IT IS MANDATORY TO PROVIDE A CONNECTION BETWEEN THE SAFETY VALVE AND A DRAIN. IN ORDER TO PREVENT DAMAGE TO THINGS OR PERSONAL INJURY IF THE VALVE SHOULD ACTIVATE.



ATTENTION: THE CONNECTION BETWEEN THE WATER MAIN AND THE THERMAL RELIEF VALVE MUST BE FREE FROM OBSTRUCTIONS. THE PRESSURE UPSTREAM FROM THE VALVE MUST ALWAYS BE AT LEAST 1.5 BAR.



ATTENTION: THE HEAT EXCHANGER MUST NOT BE USED FOR ANY PURPOSE OTHER THAN AS A SAFETY HEAT EXCHANGER.

5.3 FURTHER REQUIREMENTS FOR THE INSTALLATION OF A CLOSED EXPANSION TANK SYSTEM.

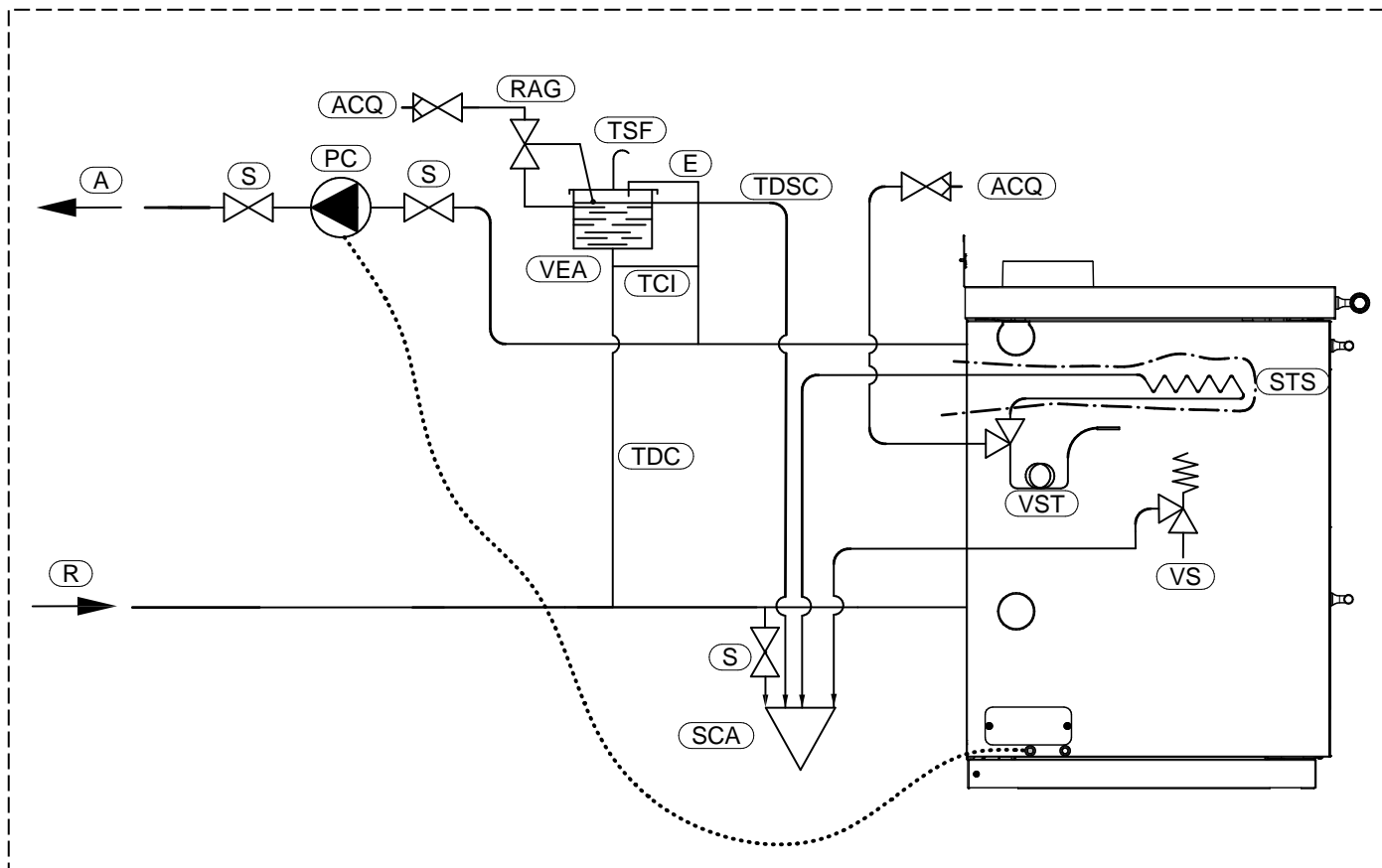
To install the system with a closed expansion tank refer to the requirements laid down in EN 10412-2:2009 for appliances with nominal heat output not exceeding 35 kW. A closed expansion tank must be series-connected to the generator as protection for the system.

The nominal volume of the closed expansion tank must be sized in relation to the total volume of the water contained in the system. Thermorossi prescribes the size of the closed expansion tank as equal to 10% of the volume of water contained in the entire system. Any bulging of the boiler body caused by an incorrectly sized expansion tank will not be covered by the warranty.

The following diagrams do not replace the above-mentioned standards to which they refer. The qualified installer must in any case be fully aware of the above standards and their amending versions.

BOSKY SQUARE 30 – BOSKY SQUARE F30

5.4 SCHEMATIC DIAGRAM OF TYPICAL OPEN EXPANSION TANK HYDRAULIC SYSTEM



A	Heating plant delivery	STS	Safety heat exchanger (standard only in the READY TO START version)
ACQ	Water main inlet	TCI	Circulation tube
E	Safety tube from the boiler to the open expansion tank	TDC	Delivery pipe
PC	System circulating pump (standard only in the READY TO START version)	TDSC	Overflow discharge pipe
R	Heating plant return	TSF	Vent pipe
RAG	Automatic make-up with float	VEA	Open expansion tank
S	On-off valve	VS	Safety valve 3 bar (standard only in the READY TO START version)
SCA	Discharge	VST	Thermal relief valve (standard only in the READY TO START version)

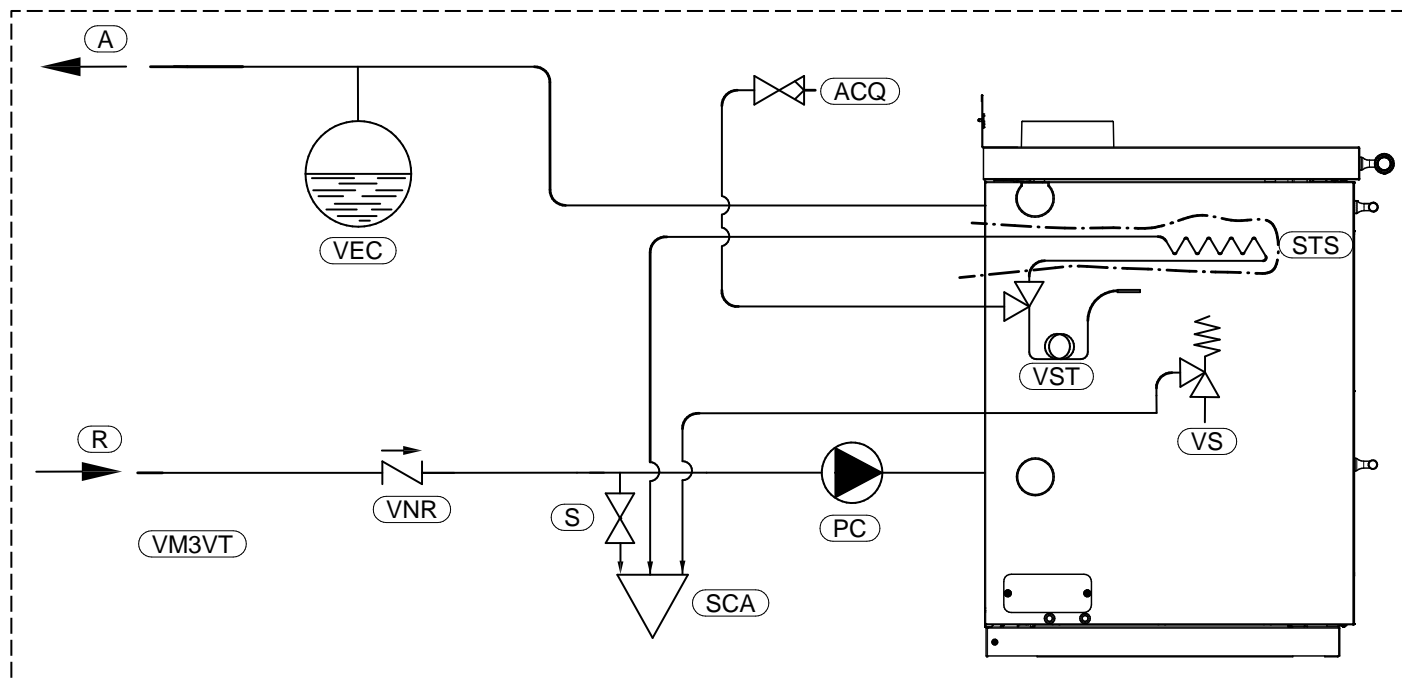


ATTENTION: it is mandatory to earth the generator. If this instruction is not observed serious damage, which is not covered by warranty, will result to the body of the appliance. Have a skilled electrician check the earthing. There must be no electric potential (Volt) between the generator earth and the system's real earth (earth plate). To prevent electrochemical corrosion of the appliance body do not use galvanised pipes and fittings. Other materials must be earthed with special earthing cables in order to obtain a unipotential earthing system.

ATTENTION: In the **READY TO START** version it is necessary, in this type of system, to install the circulating pump in the supply line, downstream from the safety tube. For this reason the circulating pump must be removed from the appliance and installed as illustrated in the above diagram. The circulating pump must be replaced with a pipe nipple with seals.

BOSKY SQUARE 30 – BOSKY SQUARE F30

5.5 SCHEMATIC DIAGRAM OF TYPICAL CLOSED EXPANSION TANK HYDRAULIC SYSTEM



A	Heating plant delivery	VEC	Additional closed expansion tank, sized to at least 10% of the volume of water contained in the system
ACQ	Water main inlet	VNR	Nonreturn valve
R	Heating plant return	VM3VT	Anti-condensation mixing valve
S	On-off valve	VS	Safety valve 3 bar (standard only in the READY TO START version)
SCA	Discharge	VST	Thermal relief valve (standard only in the READY TO START version)
STS	Safety heat exchanger (standard only in the READY TO START version)	PC	Circulating pump (standard only in the READY TO START version)

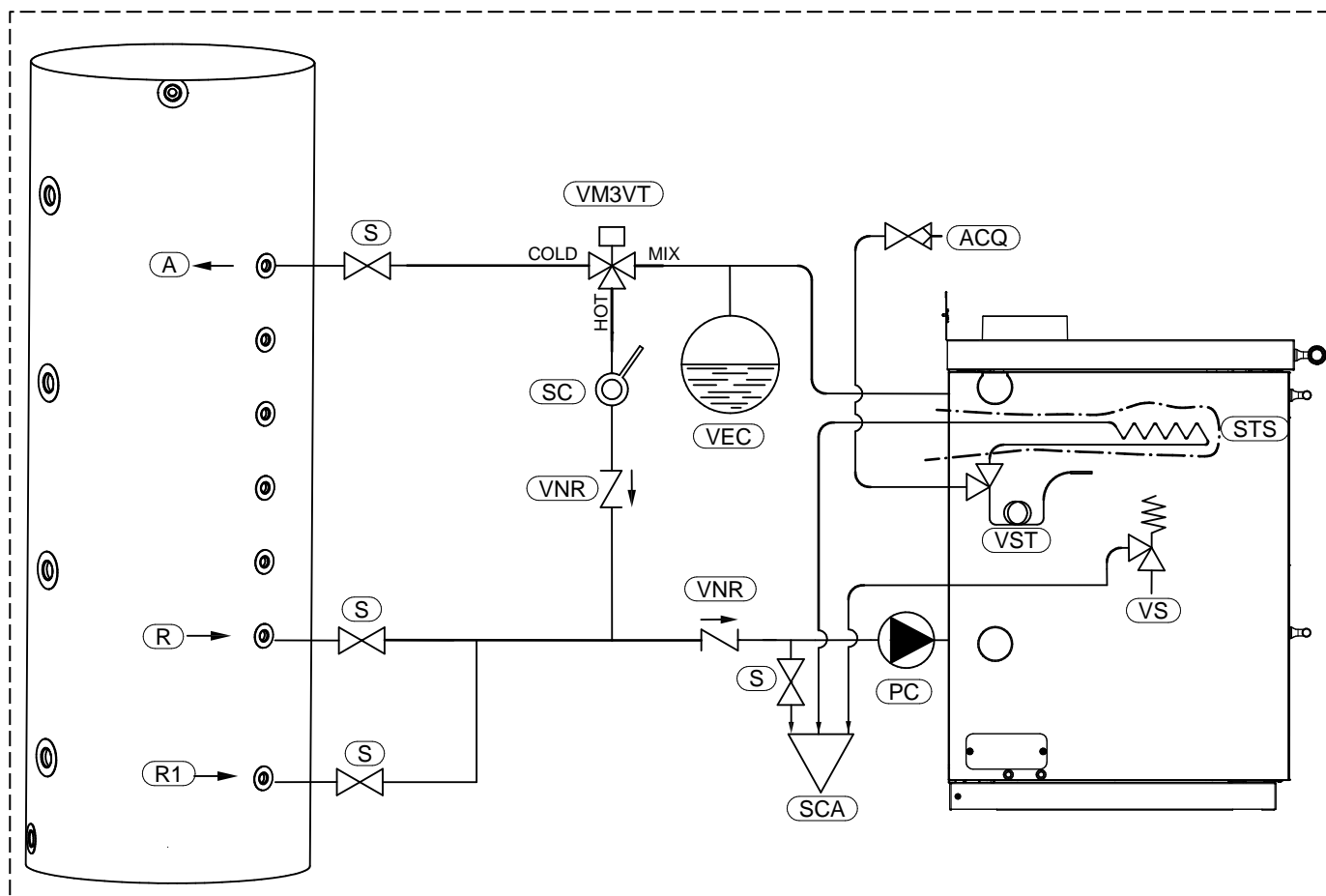


ATTENTION: it is mandatory to earth the generator. If this instruction is not observed serious damage, which is not covered by warranty, will result to the body of the appliance. Have a skilled electrician check the earthing. There must be no electric potential (Volt) between the generator earth and the system's real earth (earth plate). To prevent electrochemical corrosion of the appliance body do not use galvanised pipes and fittings. Other materials must be earthed with special earthing cables in order to obtain a unipotential earthing system.

ATTENTION: It is important to guarantee that the boiler return temperature always exceeds 55°C. For this reason we recommend installing a temperature control thermometer on the return. Act on the head of the mixing valve to adjust the temperature.

BOSKY SQUARE 30 – BOSKY SQUARE F30

5.6 SCHEMATIC DIAGRAM OF TYPICAL CLOSED EXPANSION TANK HYDRAULIC SYSTEM WITH PUFFER TANK



A	Supply to the puffer tank	STS	Safety heat exchanger (standard only in the READY TO START version)
ACQ	Water main inlet	VEC	Additional closed expansion tank, sized to at least 10% of the volume of water contained in the system
PC	Circulating pump (standard only in the READY TO START version)	VNR	Nonreturn valve
R1	Return from the puffer tank	VM3VT	Anti-condensation mixing valve
S	On-off valve	VS	Safety valve 3 bar (standard only in the READY TO START version)
SC	Gate valve (throttle according to pressure drop in the system)	VST	Thermal relief valve (standard only in the READY TO START version)
SCA	Discharge	R	System return if integrated with a solar system

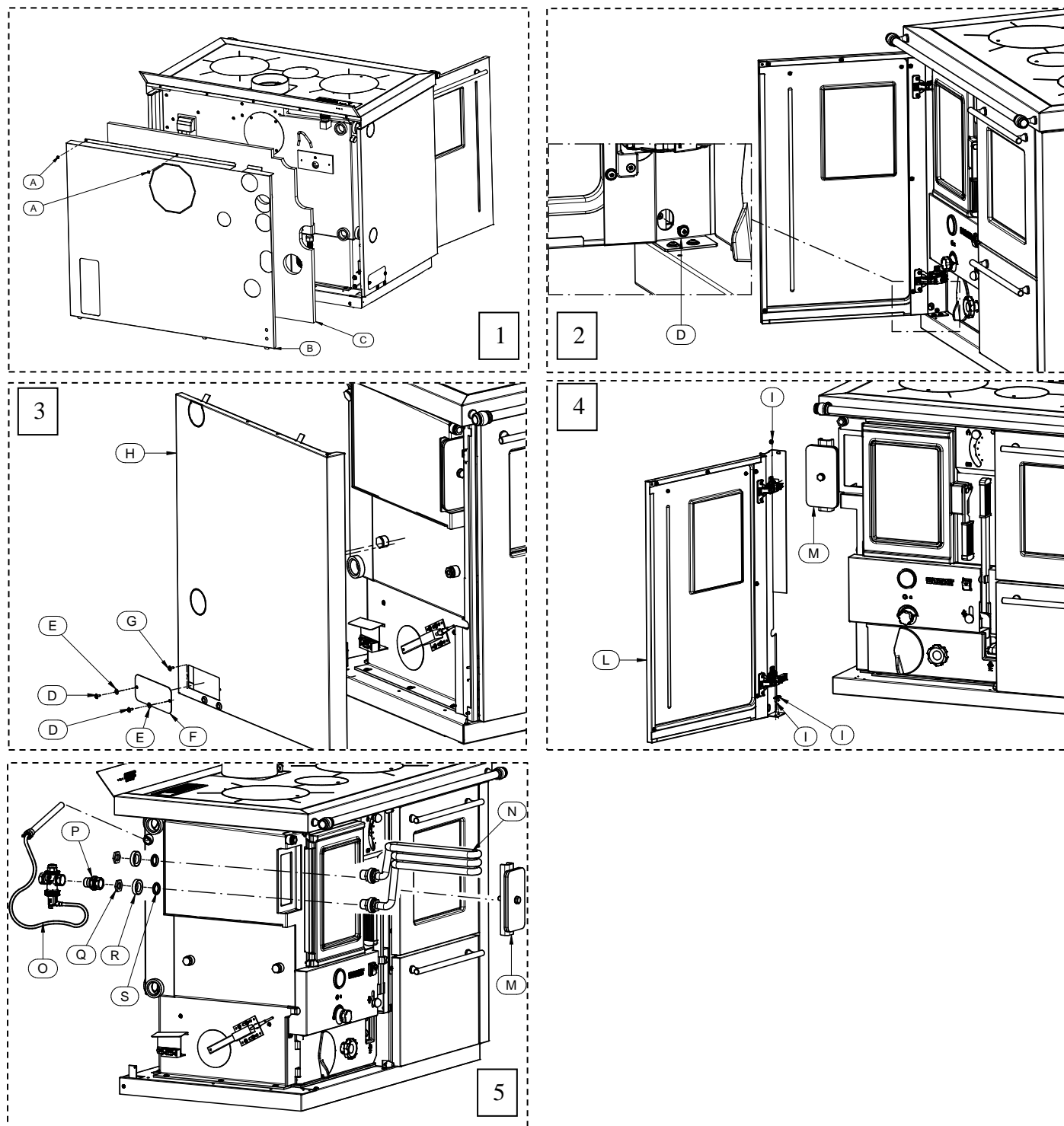


ATTENTION: it is mandatory to earth the generator. If this instruction is not observed serious damage, which is not covered by warranty, will result to the body of the appliance. Have a skilled electrician check the earthing. There must be no electric potential (Volt) between the generator earth and the system's real earth (earth plate). To prevent electrochemical corrosion of the appliance body do not use galvanised pipes and fittings. Other materials must be earthed with special earthing cables in order to obtain a unipotential earthing system.

ATTENTION: Anti-condensation mixing valve should be set at approx. 65°C. So when the temperature of the boiler drops below this value, the "cold" inlet closes and prevents circulation towards the puffer tank but only between the boiler supply and return. In this way, the heat stored in the puffer tank is not dispersed to the boiler.

6 – ASSEMBLING THE COMPONENTS

6.1 ASSEMBLY OF THE SAFETY HEAT EXCHANGER (ALREADY STANDARD IN THE READY TO START MODEL)



Install the safety heat exchanger in accordance with the following procedure:

- 1) Remove the two screws (A) so that you can remove the back (B) and the insulation panel (C), see figure 1.
- 2) Open the door and remove the screw (D), see figure 2.
- 3) Remove the two screws (D) with the two washers (E) so that you can remove the cap (F). Next remove the screw (G) and remove the side panel (H) by moving it slightly towards the front of the appliance, see figure 3.
- 4) Remove the three screws (I) so that you can remove the door (L). Next remove the cap (M) by loosening the bolt, see figure 4.
- 5) Now insert the exchanger (N), insert the two pipe connections through the holes at the back and fix them to the appliance in the following order: Gasket O-ring (S), conical washer with the concave side towards the O-ring (R), and nut (Q), see figure 5.
- 6) Replace the cap (M) and install the fitting (P), see figure 5.

BOSKY SQUARE 30 – BOSKY SQUARE F30

7) Install the certified and calibrated two-way thermal relief valve (O) at the exchanger inlet, following the instructions provided by the manufacturer and install a discharge pipe.

The thermal relief valve must have the following characteristics:

- Double safety sensor for solid fuel generators (max. operating pressure): 10 bar
- Temperature range: 5÷110°C - calibration temperature 98°C
- Discharge capacity with $\Delta p = 1$ bar and $T=110^{\circ}\text{C}$: 3,000 l/h - capillary tube length: 130 mm
- **Certified to standard EN 14597**

ATTENTION: before reassembling the remaining parts make sure that the gaskets are tight by bringing the system to pressure.

8) Reassemble the components just removed following the operations described above.



ATTENTION: A CONNECTION MUST BE MADE BETWEEN THE SAFETY VALVE AND THE OUTLET TO PREVENT DAMAGING MATERIALS SURROUNDING THE APPLIANCE WHEN THE VALVE IS ACTIVATED. ATTENTION: IF THE SAFETY HEAT EXCHANGER IS INSTALLED TO PRODUCE DOMESTIC HOT WATER, THE GUARANTEE FOR THE GENERATOR IS IMMEDIATELY VOIDED.

6.2 ELECTRICAL CIRCULATING PUMP CONNECTION

It is mandatory to connect the circulating pump to the dedicated terminal block; in the **READY TO START** model the circulating pump will already be connected.

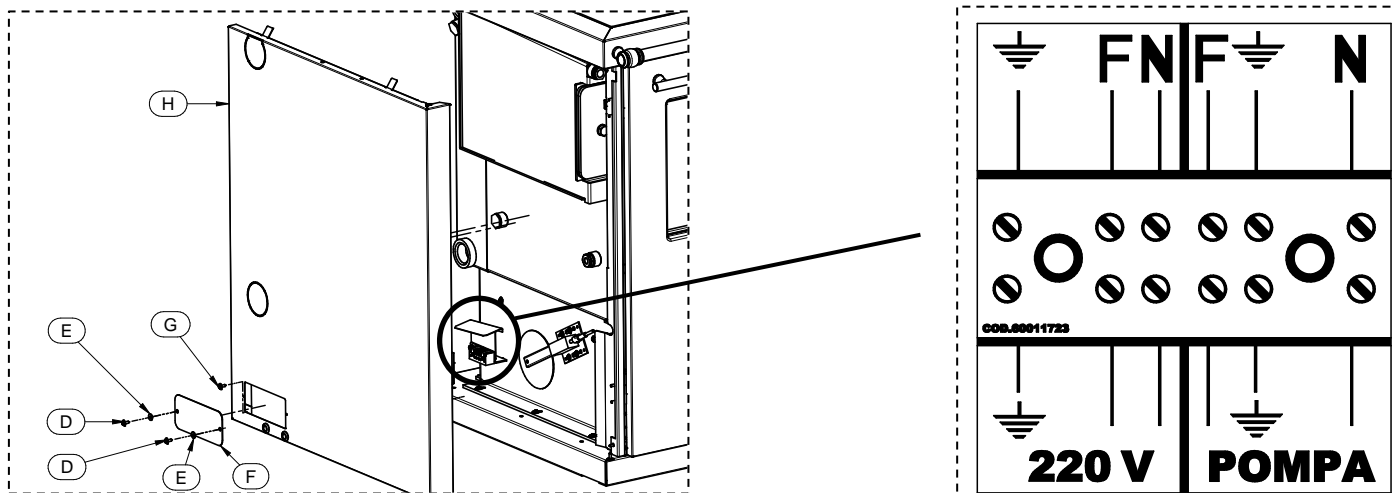
The terminal block for connecting the circulating pump is installed behind the left side panel. To remove the side panel it is necessary to remove the two screws (D) with the two washers (E) in order to remove the cap (F). Next remove the screw (G) and remove the side panel (H) by moving it slightly towards the front of the appliance, see figure below.

Lastly, connect the circulating pump to the terminals (PUMP). The circulating pump will thus activate as soon as the water in the boiler will exceed the temperature of about 60°C.

However, in all the models it is necessary to connect the electrical power supply to the terminals (220 V) as indicated in the figure below.



This operation must be exclusively performed by qualified professional staff, as set forth by Decree no. 37 of 22nd January 2008 and applicable laws on the subject. Before performing said task, make sure the power supply cable is disconnected from the electrical power socket.



ATTENTION: it is mandatory to earth the generator. If this instruction is not observed serious damage, which is not covered by warranty, will result to the body of the generator. Have an electrician check the earthing. There must be no electric potential (Volt) between the earth of the generator and the actual earth of the system. To prevent electrochemical corrosion of the boiler body do not use galvanised pipes and fittings. Dedicated ground wires must be used to ground all other materials.

7 – USE OF THE APPLIANCE



The appliance, when operating, is hot to the touch, particularly the door of the combustion chamber and the cooktop: consequently, take care not to touch any surface. Your appliance has obtained the CE marking. The product must not be used by children, by persons with physical or mental impairments, by persons who are not familiar with the instructions for use and maintenance of the product (the instructions are found in this installation, use and maintenance manual). During the heating and cooling stages the appliance is exposed to considerable thermal expansions that can cause light expansion sounds. This is a normal process and is not a defect of the product.



ATTENTION: the door must always remain shut tight when the appliance is operating. While the appliance is in operation, the smoke exhaust pipes can reach extremely high temperatures: do not touch them! It is strictly forbidden to use any type of liquid or gaseous fuel to light the appliance. Do not place non-heat resistant or inflammable or combustible objects in the vicinity of the appliance: keep them at a suitable distance. Do not place wet clothing to dry on the appliance. When using a clothes horse, keep at a suitable distance. During the first lighting, the paint on the product and the protective oil on the cooktop may give off a slight smell as they complete their drying. This is quite normal. It is recommended to ventilate the room until the paint has completely dried.

7.1 LIGHTING

To startup the stove proceed as follows:

- 1) Raise the starter using the special riddling tool.
- 2) Open the primary air control as far as it will go.
- 3) Open the ring for rekindling the fire.



ATTENTION: BEFORE LIGHTING THE APPLIANCE MAKE SURE THAT THE GRATE IN THE FIREBOX IS CLEAN, THAT IS THAT THERE IS NO ASH OR COMBUSTION RESIDUES.

- 4) Open the firebox door, place some kindling in the firebox and light it with paper or any other tinder available on the market, then close the firebox door.



IT IS PROHIBITED TO USE ANY LIQUIDS OR GASES SUCH AS ALCOHOL, PETROL, ETC. TO LIGHT OR REKINDLE THE FIRE.

- 5) Do not leave the appliance unsupervised while the lighting process is still in progress (roughly 30 minutes to complete the process) or whenever there are abundant burning embers present.



- 6) Once the lighting sequence is completed lower the starter using the special riddling tool.



ATTENTION: THE DOOR OF THE COMBUSTION CHAMBER AND OF THE ASH PAN MUST ONLY BE OPENED FOR THE LIGHTING OPERATIONS, FOR STOKING AND FOR REMOVING RESIDUAL MATERIAL. DURING NORMAL OPERATION THE FIREBOX DOOR MUST REMAIN CLOSED AND THE STARTER LOWERED.

Leaving the starter, the adjustment ring and the lever open during normal operation results in higher fuel consumption than the declared quantity, a considerable drop in efficiency and exposure of the appliance to extremely high temperatures. For this reason the warranty does not cover any direct or indirect damages caused by prolonged exposure of the appliance to these temperatures. **ATTENTION: The temperature of the starter is very hot while the appliance is operating, so take care not to touch it. The riddling tool provided must be used when handling it.**



ATTENTION: IT IS NORMAL FOR THE COOKTOP, AFTER THE FIRST LIGHTING, TO ACQUIRE AND RETAIN A BLuish AND/OR YELLOWISH HUE.

7.2 REFUELLING

The stove is an intermittent combustion appliance so it requires refuelling. Once combustion is achieved inside the combustion chamber and consequently there are embers present, proceed with the first fuel feed:

- 1) Raise the starter using the special riddling tool.
- 2) Wait a few seconds and open the firebox door slowly to minimise the risk of smoke escaping and use the riddling tool to spread the embers.

N.B. It is prohibited to light or reload the fuel with a bed of embers higher than 3 cm as this does not guarantee correct use of the appliance.

- 3) Take two or three logs, each of which must not exceed the weight specified in the technical data table, and lay them parallel in the centre of the grate in the combustion chamber, as illustrated in the figures below. Slowly close the firebox door, lower the starter using the special riddling tool.
- 4) Open the primary air control as much as required.
- 5) Close the ring for rekindling the fire or the air regulator lever.

To rekindle the fire clear the ash from the air passage slots to promote better combustion. Do not add additional fuel until the previous load has burnt or is reduced to embers, then open the firebox door slowly and place the logs in an orderly manner on the bed of embers. Complete the operation by slowly closing the door and return the air control and levers to the positions described above.



7.3 GRATE POSITIONS

The combustion chamber grate can be adjusted to 3 positions:

- Grate completely lowered and heating only.

By lowering the grate completely almost all the heat is transferred to the water and therefore to the system, making full use of the wet surfaces.

- Grate completely raised.

By raising the grate completely almost all the heat is transferred to the cooktop, or to the oven (if present) depending on the regulation of the flap (explained in the next chapter).

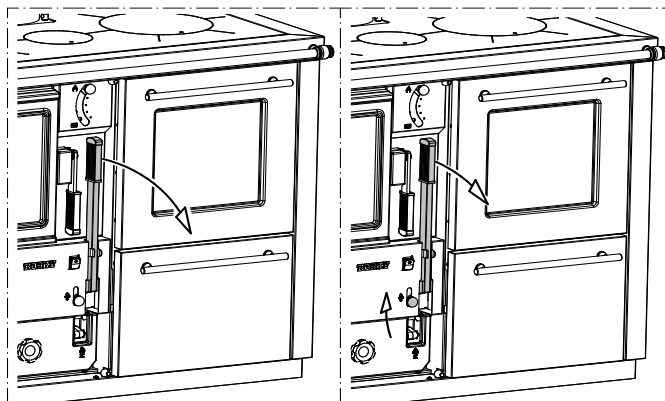
- Intermediate grate and flap positions

Different situations are possible by positioning the grate and flap in intermediate positions.

To raise the grate gently pull down the grate height adjustment lever (L).

When the grate is in the desired position return the lever to its home position. If the movement is hard, pull the handle back and forth several times in order to free the grate, before taking it to the new position. It is easier to perform this operation when there is little fuel.

Whereas to lower the grate pull the grate height adjustment lever (L) until the grate is slightly raised, while at the same time lifting the grate adjustment release lever (H) and accompany the lever (L) until the grate is lowered to the desired level.



7.4 INSTRUCTIONS FOR OVEN USE (ONLY ON F30)

By acting on the smoke deviator flap (see figure on the side) the product can be used in several modes:

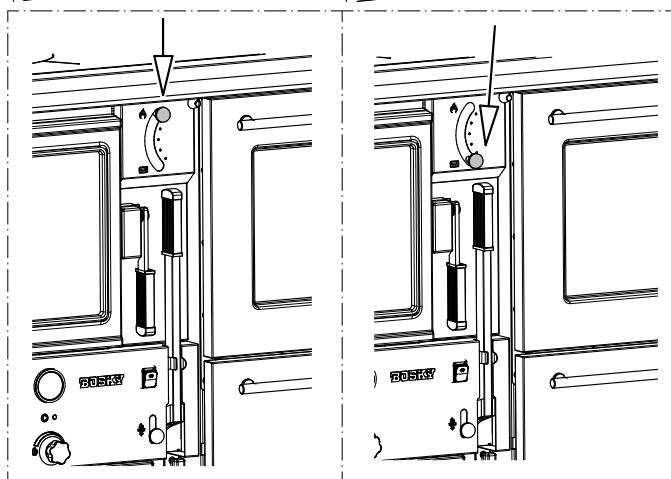
- **Only heating (flap up)**

In this mode almost all the heat is transferred to the water, therefore to the system and to the left side of the cooktop. In this operating mode the maximum heat output is transferred to the water.

- **Heating and cooking (flap down)**

In this mode almost all the heat is used to heat the oven, the cooktop plate is completely heated.

It is also possible to turn on the oven light to monitor your food as it cooks by pressing the dedicated switch (I).



7.5 VITRIFICATION

The products can be supplied with a vitrified combustion chamber. This treatment occurs at very high temperatures that permit the glass and steel to melt into an alloy that is completely impervious to corrosion attack caused by acid combustion smoke. Vitrification protects the internal combustion chamber from corrosion caused by acid smoke and condensation developed by the combustion of the wood fuel. Surface defects do not affect the duration or resistance of the anti-corrosion treatment.

Vitrification has no protective function against corrosion, scaling or breakage caused by stray currents, condensation, aggressiveness or acidity of the water, descaling treatments carried out incorrectly, lack of water, sludge or limescale deposits. The system must therefore always guarantee a return water temperature exceeding 55°C.

7.6 THERMOMETER

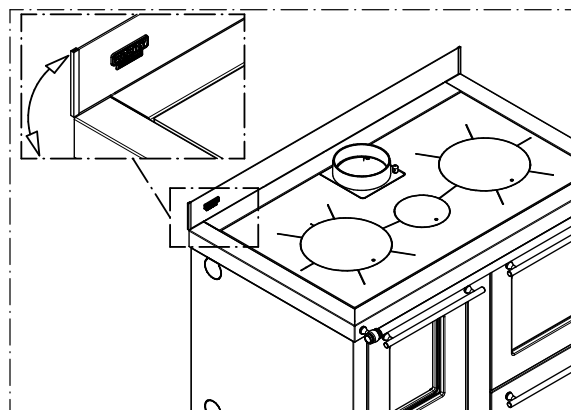
Model F30 is supplied as standard with a thermometer installed on the glass of the oven door.



THE THERMOMETER GIVES AN APPROXIMATE, NOT PERFECTLY RELIABLE, READING OF THE OVEN TEMPERATURE. THE OVEN TEMPERATURE IS STRICTLY RELATED TO THE QUALITY OF THE FUEL, THE FLUE OUTLET DRAUGHT AND OTHER FACTORS, AND MAY EXPERIENCE SUDDEN VARIATIONS. THEREFORE ALWAYS VISUALLY CHECK THE FOOD FOR DONENESS.

7.7 ADJUSTMENT OF THE BACKSPLASH

The backsplash can be adjusted according to need by simply applying pressure to it until you achieve the desired result.



7.8 PRESCRIPTIONS FOR CORRECT OPERATION

- Respect the maximum declared consumption, do not overload the stove with excessive quantities of fuel as this could cause damage.



LOADING A LARGER QUANTITY OF FUEL OR LOADING SEVERAL TIMES IN AN HOUR EXPOSES THE COMPONENTS OF THE APPLIANCE TO VERY HIGH TEMPERATURES. FOR THIS REASON THE WARRANTY WILL NOT COVER ANY DAMAGE CAUSED BY PROLONGED EXPOSURE OF THE APPLIANCE TO THESE TEMPERATURES.



DO NOT THROW THE WOOD INTO THE COMBUSTION CHAMBER, PLACE IT IN GENTLY. THROWING THE WOOD COULD END UP BREAKING PARTS. DAMAGE CAUSED IN THIS WAY IS NOT COVERED BY WARRANTY.

- The appliance must not be used as an incinerator, the use of liquid or gaseous fuels is prohibited.
- Adhere strictly to the operating instructions set out in this manual.
- Always verify that the fuel loaded into the combustion chamber lights correctly. Make sure that this always occurs to avoid any buildup of combustible gases. The buildup of a high quantity of combustible gases could exceed the mechanical resistance of the glass and other components of the stove. For this reasons the manufacturer disclaims all responsibility.
- In adverse weather conditions, such as for example low pressure, windy or rainy days or days with high outside temperatures, the effect could be a drop in draught or reverse draught. In these situations the flue gases may not be completely exhausted. Consequently, in these cases it is necessary to increase the primary air and load the smallest amount of fuel in order to reactivate the draught of the flue outlet. If you notice the smell of smoke in the room or stagnation of gases inside the combustion chamber avoid using the appliance.

8 - CLEANING AND MAINTENANCE

8.1 FOREWORD



To guarantee correct operation and optimal performance of the appliance at all times carry out the operations described below. Observe the recommended frequency.

If the product is unused for a prolonged period of time before starting up, it is mandatory to inspect the smoke channel and outlet to ensure that there are no obstructions. It is important to carefully follow the instructions set out below: failure to observe these instructions could cause serious damage to the product, to the system, to objects and to persons using the appliance.



Attention: do not wet or touch the appliance with wet hands. Never vacuum hot ash: this could damage the vacuum device. All the cleaning operations described in this manual must be carried out when the appliance is cold.

The user must periodically clean the appliance, or have an authorised service centre clean it, as described in this manual. Moreover, once a year it is advisable to have an inspection carried out of the functionality of the flue outlet.

8.2 CLEANING AND MAINTENANCE

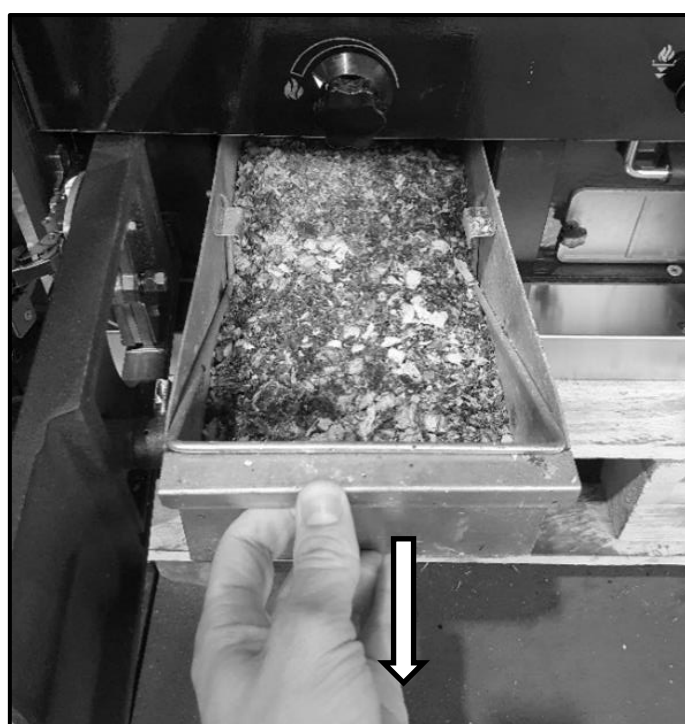
EVERY TIME YOU REFUEL:

- If necessary thoroughly clean the grate of the combustion chamber by de-ashing the grate through the slots. The air passage through the firebox grate must always be kept free from obstructions. Use the supplied riddling tool or scraper for this operation.



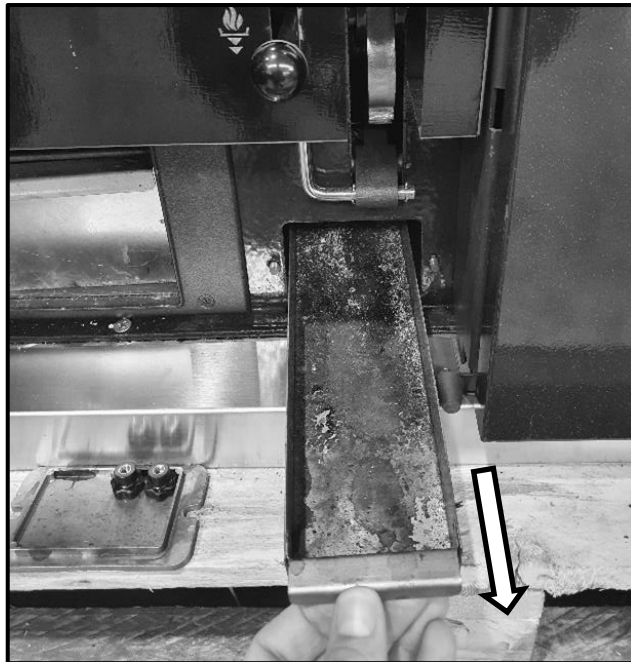
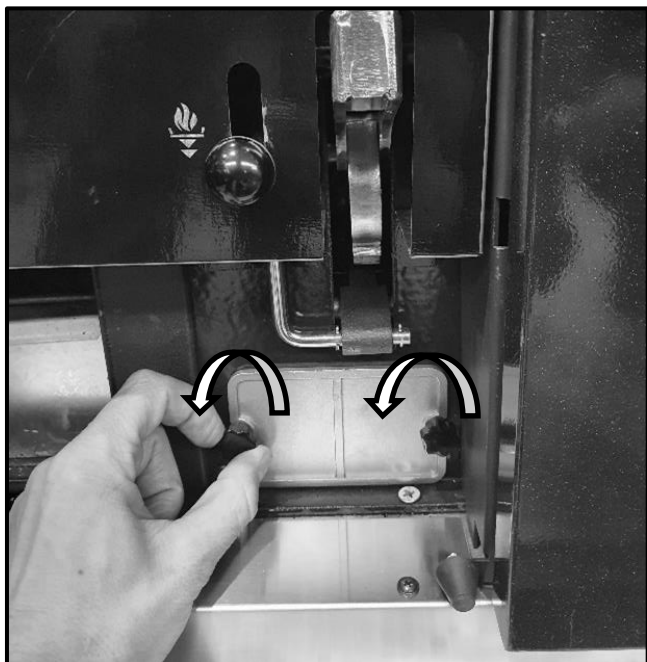
EVERY TWO DAYS or WHENEVER NECESSARY:

- Turn the knob counterclockwise, open the door, remove the primary ash pan and empty it. We recommend emptying the ash pan regularly before it fills up completely.



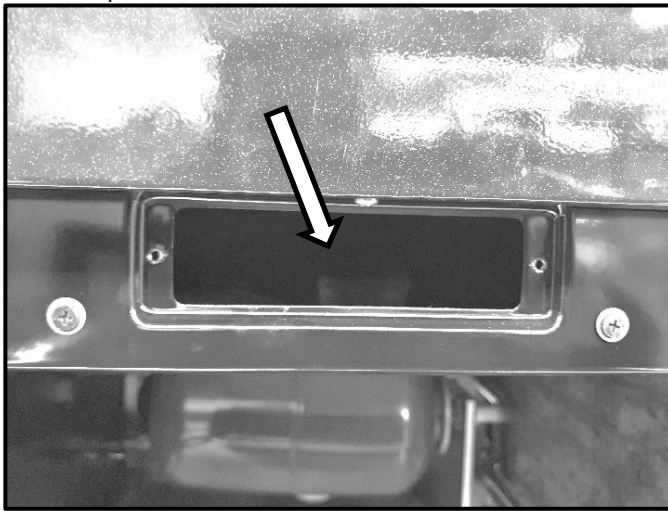
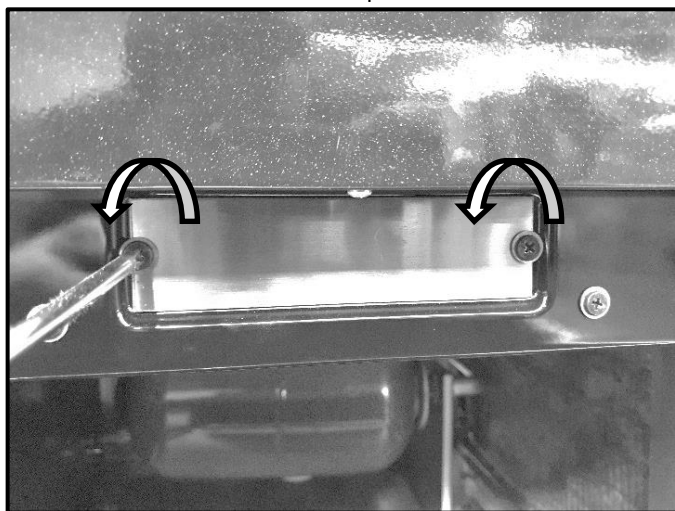
EVERY WEEK:

- Open the door, unscrew the two knobs indicated in the photo below, remove the secondary ash pan and empty it. We recommend emptying the ash pan regularly before it fills up completely.



EVERY MONTH:

- For model F30 only, clean the compartment under the oven. To clean it, remove the two screws and remove the cleaning cover as indicated in the photo below and vacuum out the ash deposits.



EVERY 6 MONTHS:

- Lift and remove the cooktop to clean the flue path with a flue brush and ash vacuum device.

AT LEAST ONCE A YEAR:

- Clean the flue outlet. If there are any horizontal sections, inspect them and clean out any ash and soot deposits before they block the passage of the flue gases.

8.3 CLEANING THE STEEL COOKTOP

Clean the cooktop with normal, mild detergents. Protect the steel cooktop by applying a film of oil to keep it clean and shiny. Alternatively, apply a thin layer of protective chrome paste readily available at hardware stores. Take care when applying the oil to avoid indelibly soiling the side edges. If any rust appears remove with a slightly abrasive scourer then apply a thin layer of protective oil or chrome paste.

All the steel parts must only be cleaned when the appliance is cool, with water and mild detergents.

9 - SMOKE DISCHARGE TUBE

9.1 FOREWORD



Due to the frequent accidents caused by poor functioning of flue outlets installed in private dwellings, we have prepared the following paragraph to assist the installer in his inspection of the parts concerned with eliminating the gases produced by combustion.



The exhaust pipe must be installed in compliance with regulations UNI7129, UNI 10683, and with the stated reference values. In particular, the outlet must comply with fire prevention regulations.

It is important to carefully follow the instructions set out below: failure to observe these instructions could cause serious damage to the product, to the system, to objects and to persons using the appliance.

9.2 ROOM VENTILATION



ATTENTION: The presence of extraction fans or similar appliances, if operating in the same room or space in which the product is installed, could cause problems for the correct operation of the product.

ATTENTION: do not obstruct the vents or the air inlets on the appliance.

The room where the appliance is installed must have a good air inflow to guarantee air for the appliance for the combustion process and for ventilation of the room. The natural air inflow must take place directly through permanent openings on the outer walls or through single or multiple ventilation ducting.

The ventilation air intake must be located away from pollution sources.

The openings in the walls must comply with the following conditions:

- have an unobstructed section of at least 6 cm² for each kW of installed thermal power, with a minimum limit of 100 cm²;
- be made in such a way that the vent openings, both on the inside and outside of the wall, cannot be obstructed;
- be protected with grills or similar systems that do not reduce the opening section indicated above;
- be situated at a height near-floor level and they must not obstruct the correct operation of the combustion product discharge devices; if this position is not possible, the section of the ventilation openings must be enlarged by at least 50%.



The following chapter is not intended to replace UNI 7129, UNI 10683 and EN13240 standards. The qualified installer must in any case be fully aware of this standard and its amending versions.

9.3 SMOKE OUTLET



The smoke channel, the exhaust pipe, chimney and flue outlet (defined as the system for the evacuation of combustion products), are parts of the heating system and they must comply with the legislative requirements of the Ministerial Decree D.M. 37/08 (ex Italian Law 46/90) and to the applicable specific installation regulations, according to the type of fuel. Fireplaces, stoves and barbecues must not be installed in locations where gas appliances type A and type B are present and operating (for the classification see UNI 10642 and UNI 7129). The connection between the appliance and the flue outlet must only receive exhaust from one heat generator.



The installer must provide one or more access points on the flue outlet to check the emissions once the appliance has been installed; these access points must be made in such a way as to be airtight sealable to prevent exhaust gas leaks.

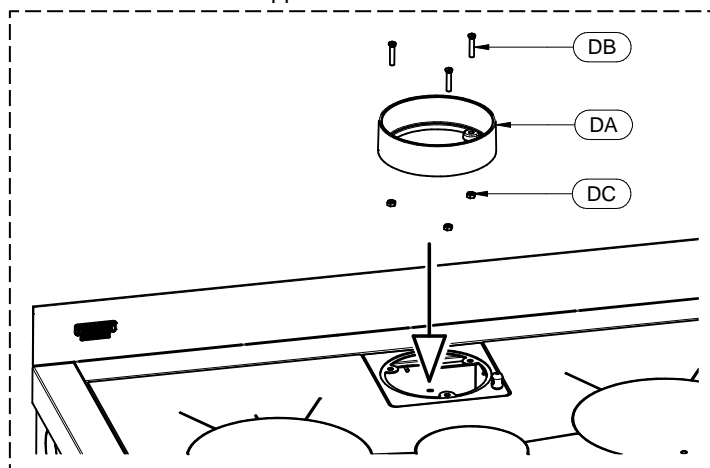


It is recommended to provide insulation and to ensure the optimal sizing of the flue outlet in order to avoid the possible risk of condensation forming in the flue outlet.

9.3.1 CONNECTION TO THE FLUE OUTLET

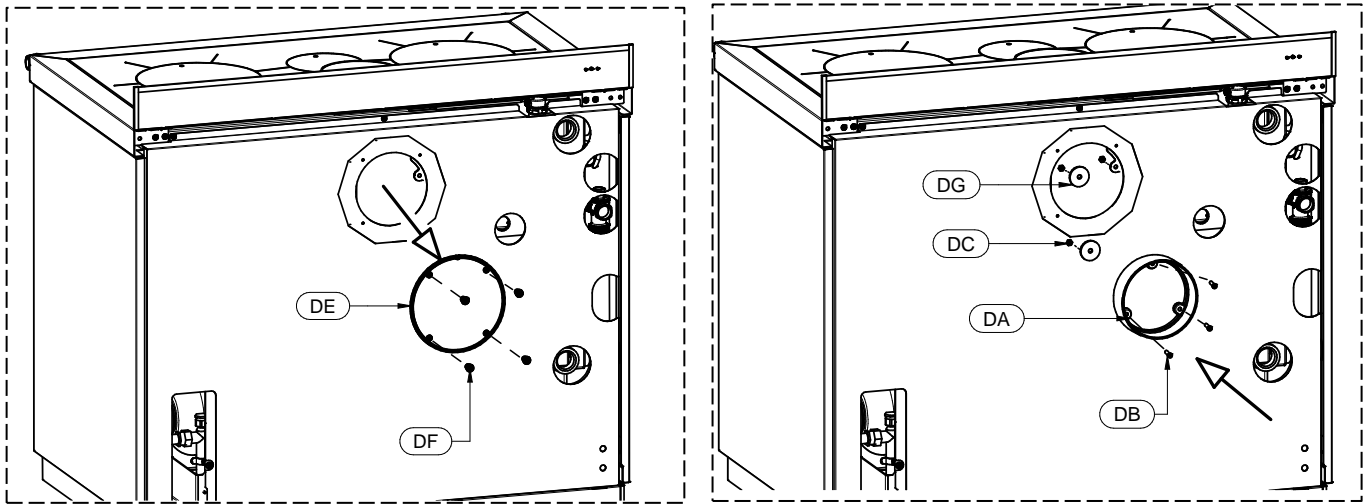
Top smoke exhaust

If you decide on a top smoke exhaust, you must mount the supplied flue collar (DA) and fix it with the supplied bolts (DB) and nuts (DC). Never use the same flue outlet for more than one appliance.



Rear smoke exhaust

If you decide on a rear smoke exhaust, you must remove the pre-drilled disk (DE) after removing the 4 screws (DF). Next mount the supplied flue collar (DA) and fix it with the supplied bolts (DB), nuts (DC) and washers (DG).



9.3.2 CHIMNEY TYPES

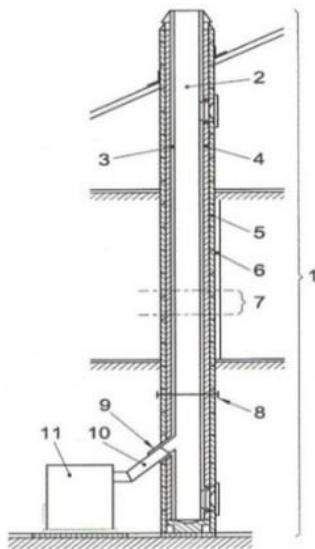
The following types of chimneys, constructed as described, are possible:

- System: chimney installed using a combination of compatible components (flue liner, insulation, outer casing, etc.), manufactured or specified by a single manufacturer and EC certified in accordance with the applicable standard;
- Composite chimney: chimney installed and built on site using a combination of compatible components such as flue liner (wall in direct contact with the flue gases), possibly also insulation and outer casing (wall) that may be supplied by different manufacturers or by the same manufacturer.
- Relining: operation involving the installation of a specific pipe in an existing shaft (even if newly constructed) made of non-combustible materials, free from obstructions and for single use.

9.3.3 FLUE OUTLET / FLUE SYSTEM COMPONENTS

Components and accessories of a chimney

- 1 Chimney
- 2 Flow path
- 3 Smoke discharge tube
- 4 Thermal insulation
- 5 External wall
- 6 Outer lining
- 7 Flue outlet section
- 8 Multiwall chimney
- 9 Connector
- 10 Flue pipe
- 11 Heat generator



Every chimney must have a minimum number of components as laid down by standard UNI EN 1443 which are also indicated in the figure on the side.



ATTENTION: Wall outlets, that is outlets installed on the outer front wall without the use of a chimney/flue outlet /flue pipe to convey the combustion products to the roof, are strictly prohibited.

Installation, use and maintenance guide
BOSKY SQUARE 30 – BOSKY SQUARE F30

9.3.4 CONTROLS PRIOR TO INSTALLING THE APPLIANCE

The user must possess a certificate of conformance for the flue outlet (Ministerial Decree 22 January 2008, no. 37).

The flue outlet must be built in compliance with UNI 10683.

The smoke exhaust illustrated in the figure on the side is the best solution required to ensure that the flue gases are discharged. If you prefer to exhaust the smoke from the roof insert a union tee with inspection cap, connecting brackets suitable for the height of the flue outlet, flashing that crosses the roof and chimney cap to protect against bad weather conditions.

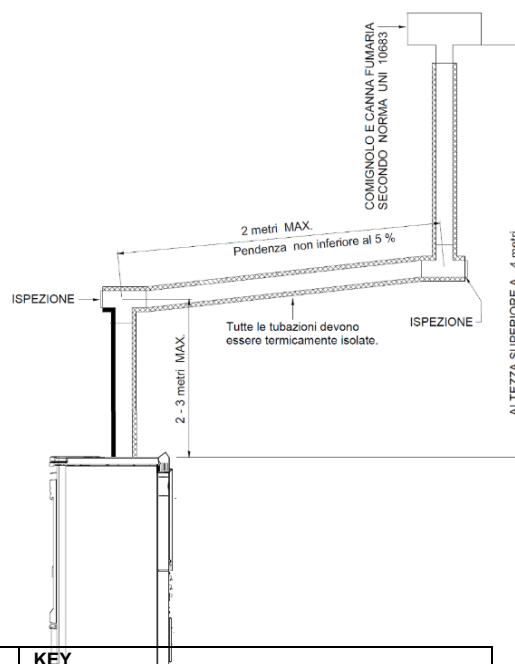
If you decide to use the classic masonry exhaust provide a union tee with inspection cap and suitable supporting brackets. If the flue outlet is too big, it is necessary to insert a stainless steel or porcelain-coated steel tube with suitable diameter.

Seal area where the inlet and outlet part of the smoke exhaust meets the wall. It is strictly forbidden to apply mesh to the end of the outlet tube, as it could cause the appliance to malfunction.

If the smoke tube is installed in a fixed position, it is advisable to provide inspection openings for clean-out purposes especially in the horizontal sections.

See the diagram. These openings are essential to allow for the removal of ash and unburned products which tend to accumulate along the discharge path.

Seal the fittings with red silicone (resistant to 350°C).



LEGENDA	KEY
COMIGNOLO E CANNA FUMARIA SECONDO NORMA UNI 10683	CHIMNEY CAP AND FLUE OUTLET ACCORDING TO UNI 10683 STANDARD
2 - 3 metri MAX	2 -3 metres MAX.
2 metri MAX	2 metres MAX
Pendenza non inferiore al 5%	Minimum slope 5%
ALTEZZA SUPERIORE A 4 m	HEIGHT MORE THAN 4 m.
Tutte le tubazioni devono essere termicamente isolate	All the pipes must be thermally insulated
ISPEZIONE	INSPECTION

The outer casing of the tube must be made with insulating material (mineral wool, ceramic fibre) or use pre-insulated tubing. THE FLUE OUTLET MUST BE USED ONLY FOR THE APPLIANCE.

It must be possible to inspect and remove all the smoke tube sections for clean-out purposes.

ATTENTION: if the flue outlet is not sufficiently insulated and /or if it is too long it could generate condensation. It is advisable to provide a condensation drain near the smoke outlet of the appliance. The appliance must always and only be installed in a single flue outlet system dedicated exclusively to the appliance.

If the generator is connected to a non-compliant flue system the appliance could rapidly deteriorate due to an abnormal, continuous overheating: in this case the damaged parts will not be covered by warranty.



IN THE EVENT OF A FIRE IN THE CHIMNEY CLOSE ALL THE AIR PASSAGES AND CALL THE FIRE BRIGADE IMMEDIATELY

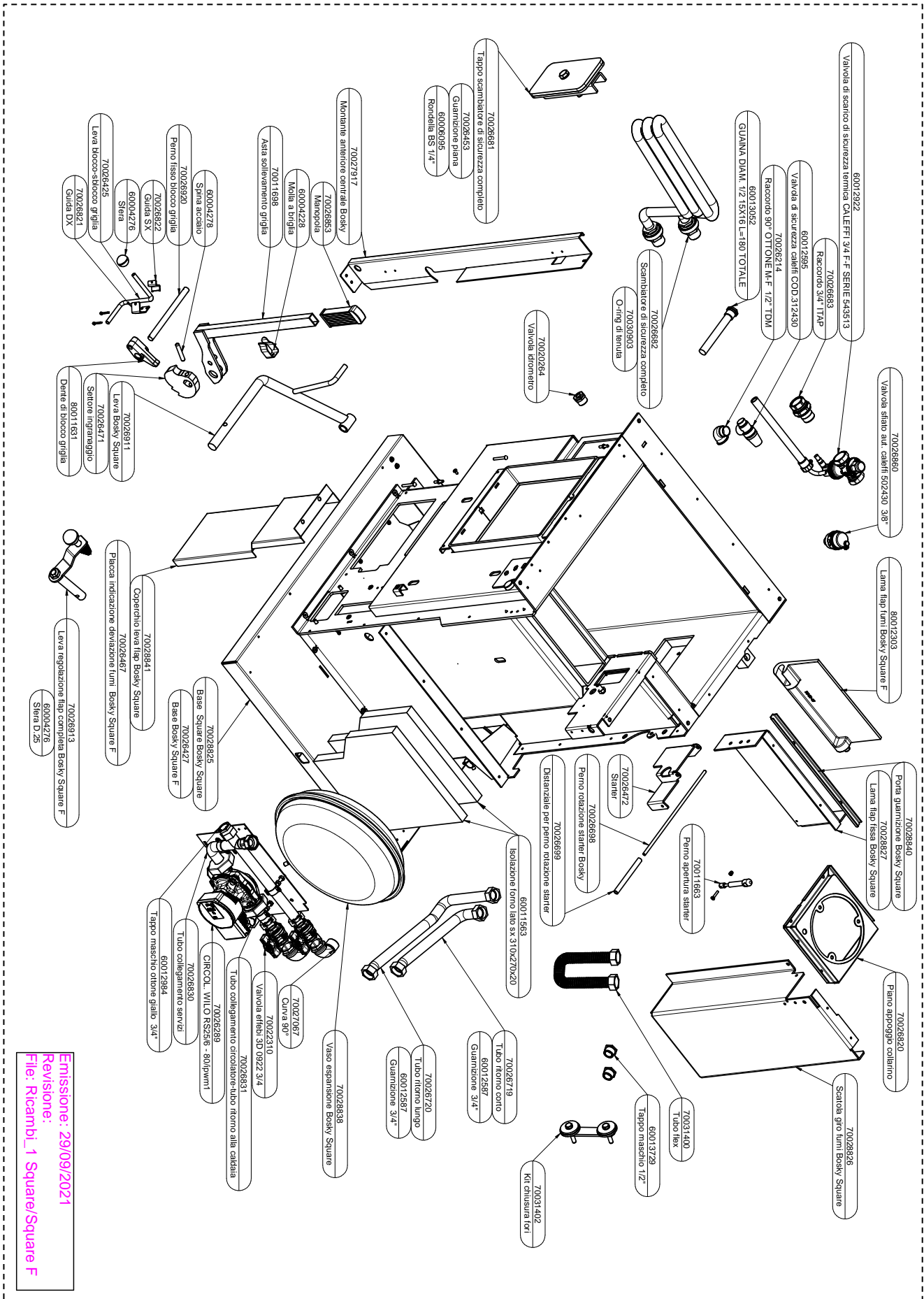
BOSKY SQUARE 30 – BOSKY SQUARE F30

10 - PROBLEMS, CAUSES AND SOLUTIONS

PROBLEM	CAUSE	SOLUTION
Difficulty in lighting the cooker.	Blocked grate.	Clean the grate.
	Moist wood or too thick.	Use smaller sized and more seasoned wood.
	Poor draught.	Clean the ash pan. Remove the cooktop and thoroughly clean the flue gas path and the flue outlet Check the flue pipe: <ul style="list-style-type: none"> • for constrictions • too many curves • bad insulation • section too small
Smoke in the room. Difficulty maintaining the fire. The oven is not heating properly. Low cooktop temperature.	Poor draught.	Clean the ash pan and all the inspection drawers. Remove the cooktop and thoroughly clean the smoke channel. Clean (or have someone clean) the flue. Check the flue pipe: <ul style="list-style-type: none"> • for constrictions • too many curves • bad insulation • section too small
Flame insensitive to draft variations. Puffs while operating.	No air in the room.	Create an adequate opening for the air.
Cooktop oxidised.	Moist wood or too thick.	Use smaller sized and more seasoned wood.
	Poor maintenance of the cooktop. Corrosive environment for metals.	Clean and maintain the cooktop. Install in a non-oxidising environment.
The fuel is burning too quickly, uncontrolled combustion.	Excessive draught.	Reduce draught of the flue outlet by installing a suitable device (e.g. draught regulator).
The cooktop has warped. The oven thermometers have drifted or yellowed. The handles have warped. Broken components inside the combustion chamber.	Excessive consumption of wood, more than the amount indicated in this manual. Incorrect use of the appliance. No or poor cleaning of the appliance.	Contact a service centre to restore the appliance for a fee then use the appliance as instructed in this manual and comply with all the supplied instructions.
Tendency to generate condensation (presence of humidity /water in the ash-pan compartment and under the product). The temperature of the oven is not rising.	Poor draft The system is not absorbing sufficient heat.	Check the flue outlet Open all the zones of the system, load less wood or install a puffer.
The temperature of the oven is not rising.	Excessive draught.	Reduce draught of the flue outlet by installing a suitable device (e.g. draught regulator).

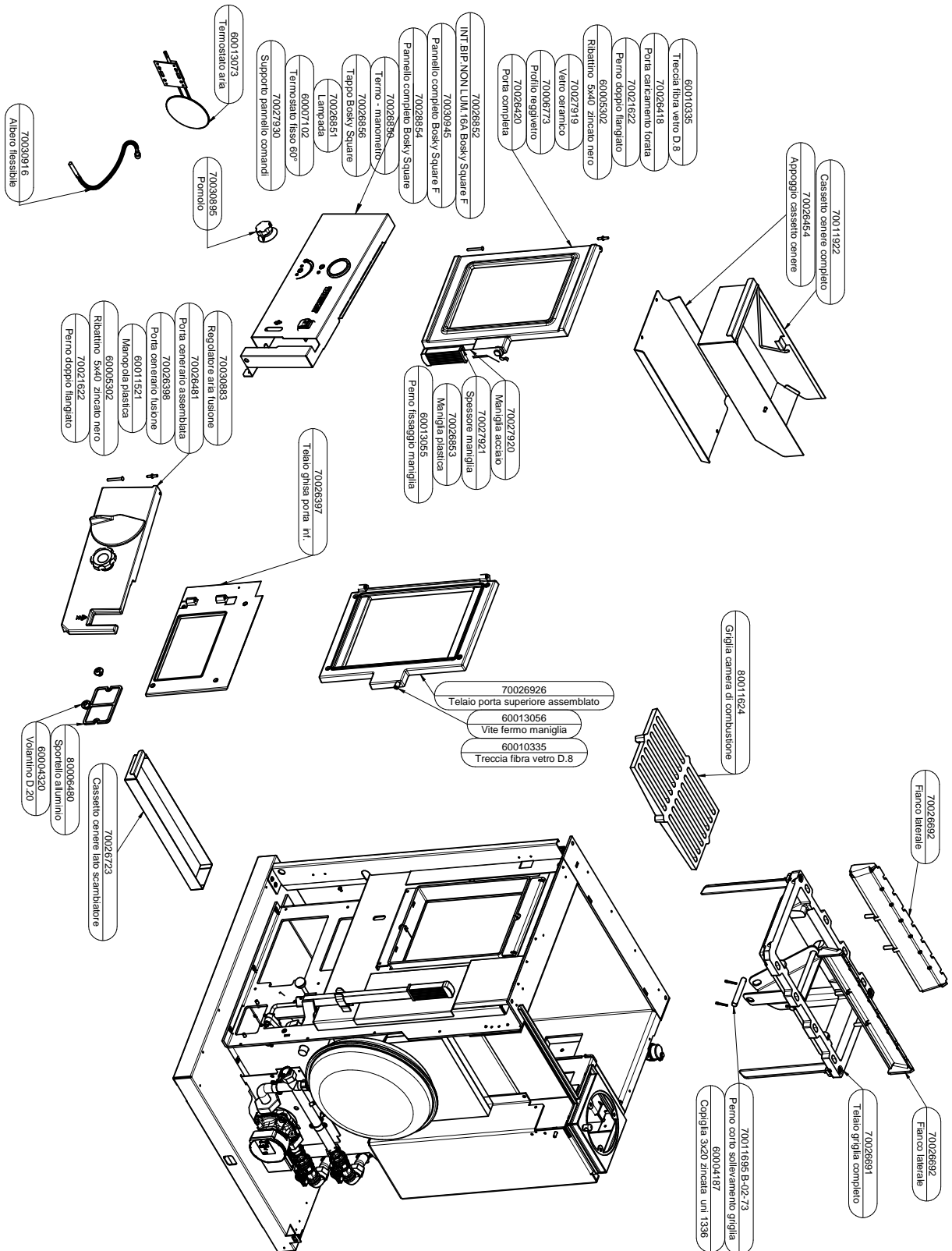
IF THE RECOMMENDED REMEDIES DO NOT SOLVE THE PROBLEM CONTACT A QUALIFIED TECHNICAL ASSISTANCE SERVICE.

11 - SPARE PARTS



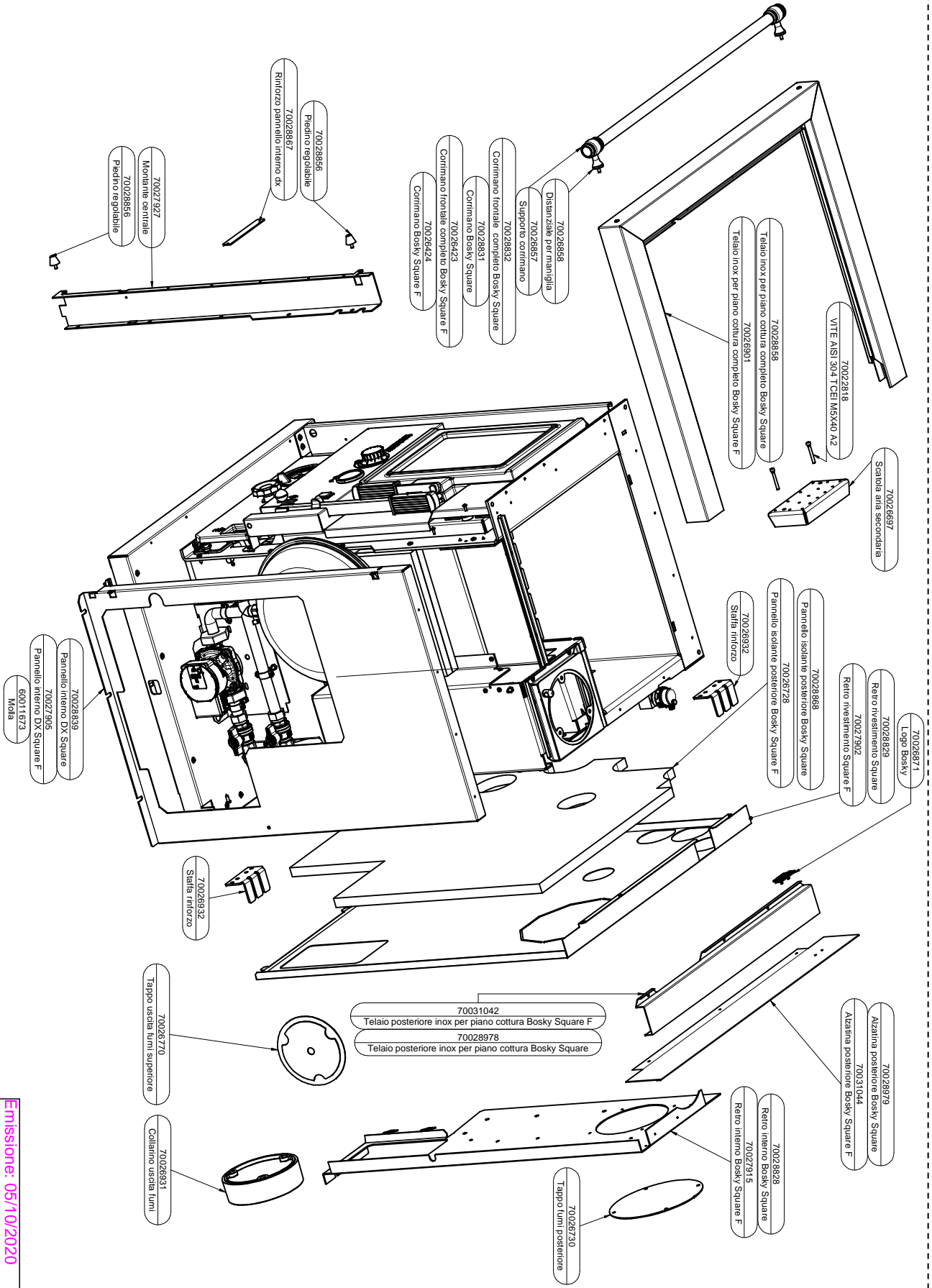
Emissione: 29/09/2021
 Revisione:
 File: Ricambi_1 Square/Square F

Installation, use and maintenance guide
BOSKY SQUARE 30 – BOSKY SQUARE F30

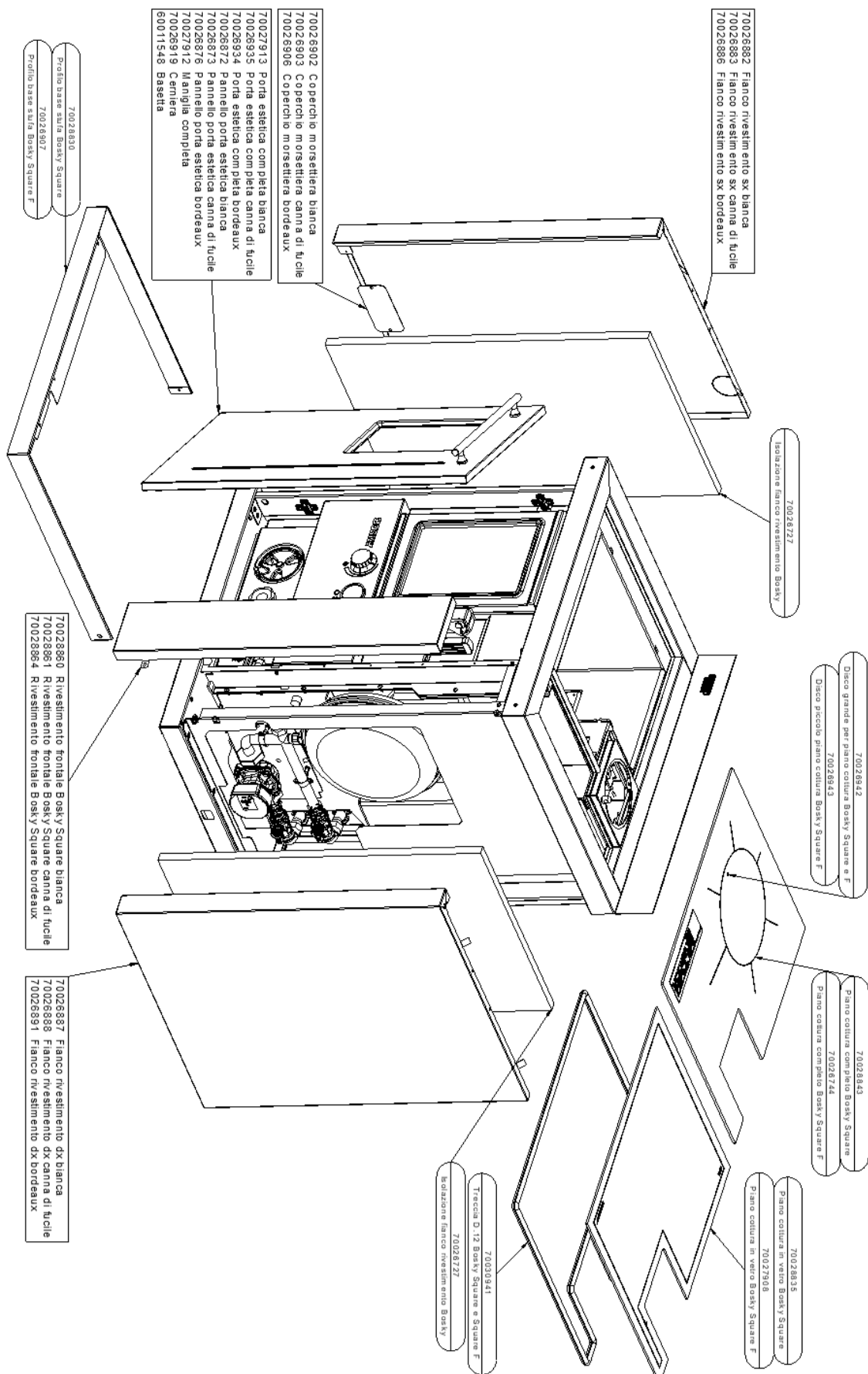


Emissione: 05/10/2020
 Revisione:
 File: Ricambi_2 Square/Square F

Installation, use and maintenance guide
BOSKY SQUARE 30 – BOSKY SQUARE F30

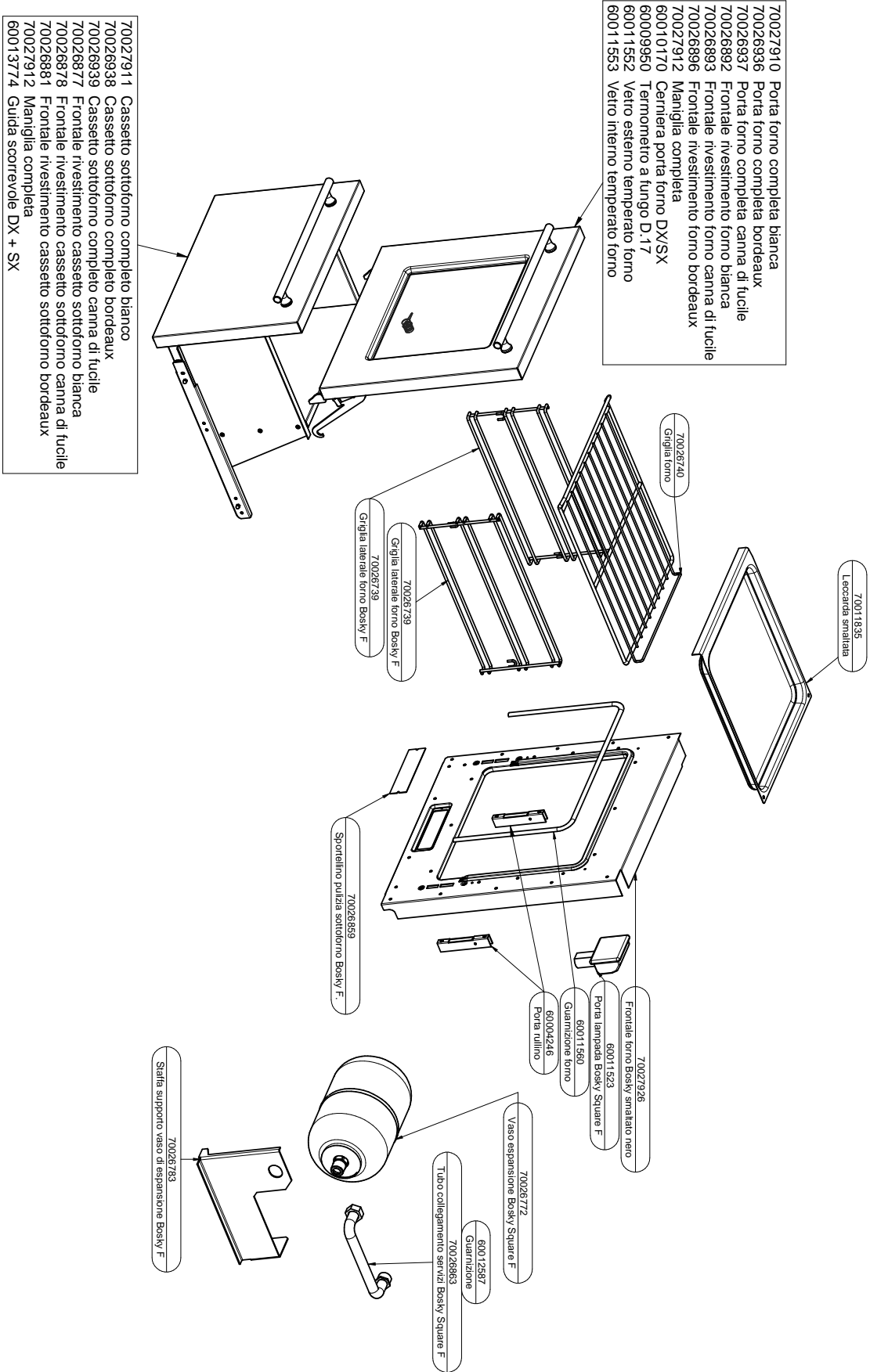


Emissione: 05/10/2020
 Revisione: 20/07/2021
 File: Ricambi_3 Square/Square F



Emissione: 05/10/2020
 Revisione:
 File: Ricambi_4 Square/Square F

Installation, use and maintenance guide
BOSKY SQUARE 30 – BOSKY SQUARE F30



Emissione: 05/10/2020
 Revisione:
 File: Ricambi_5 Square/Square F

Installation, use and maintenance guide
BOSKY SQUARE 30 – BOSKY SQUARE F30

ENG

KEY 1
60012922
Thermal safety relief valve CALEFFI 3/4 F-F SERIES 543513
70026683
Fitting 3/4" ITAP
60012595
Safety valve Caleffi CODE 312430
70026214
90° fitting BRASS M-F 1/2" TDM
60013052
SHEATH DIAM. 1/2 15X16 L=180 TOTAL
70026682
Complete safety heat exchanger
70030903
O-ring
70020264
Hydrometer valve
70026681
Complete safety heat exchanger cover
70026453
Flat gasket
60006095
Washer BS ¼
70027917
Front centre upright Bosky
70026853
Knob
60004228
Spring clip
70011698
Grate lift bar
60004278
Steel pin
70026920
Grate lock fixed pin
70026822
LH guide
60004276
Sphere
70026425
Grate lock-release lever
70026821
RH guide
70026911
Bosky Square lever
70026471
Gear sector
80011631
Grate locking tooth
70028825
Base Square Bosky Square
70026427
Base Bosky Square F
70028841
Flap lever cover Bosky Square
70026467
Flue gas deflection indicator plate Bosky Square F
70026913
Complete flap adjustment lever assembly Bosky Square F
60004276
Sphere d. 25
70026860
Automatic purge valve Caleffi 502430 3/8"
80012303
Smoke flap blade Bosky Square F
70028840
Gasket holder Bosky Square
70028827
Fixed flap blade Bosky Square
70026820
Flue collar support plate
70028826
Smoke circuit box Bosky Square
70011663
Starter opening pin
70026472
Starter
70026698
Starter rotation pin Bosky
70026699
Spacer for starter rotation pin
60011563
Oven insulation LH side 310x270x20
70031400
Flex hose
60013729
Male cover 1/2"
70031402
Hole plug kit
70026719
Short return tube
60012587
Gasket 3/4"
70026720
Long return tube
60012587
Gasket 3/4"
70028838
Expansion tank Bosky Square
70027067
90° elbow
70022310
Valve Effebi 3D 0922 ¼
70026831
Circulating pump-boiler return pipe connection pipe
70026289
CIRCUL. WILO RS25/6 - 80/ipwm1
70026830
Pipe connecting to the delivery points
60012984
Male cover yellow brass ¼
Issue: 29/09/2021
Rev.:
File: Ricambi .1 Square/Square F

KEY 2
70011922
Complete ash pan
70026454
Ash pan holder
70026418
Feed door with holes
60010335
Glass fibre braided gasket D.8
70021622
Double flanged pin
60005302
Rivet 5x40 zinc plated black
70027919
Glass ceramic
70006773
Glass supporting profile
70026420
Complete door
70026852
Non-illuminated bipolar switch - 16A Bosky Square F
70030945
Complete panel Bosky Square F
70028854
Complete panel Bosky Square
70026850
Thermo - Pressure gauge
70026856
Cover Bosky Square
70026851
Lamp
60007102
Fixed thermostat 60°
70027930
Control panel support
60013073
Air thermostat
70030895
Knob
70030916
Flexible shaft
70027920
Steel handle
70027921
Handle shim
70026853
Plastic handle
60013055
Handle fixing pin
70026397
Cast-iron frame - lower door
70030883
Air control - cast iron
70026481
Assembled ash pan compartment door
70026398
Ash pan compartment door - cast iron
60011521
Plastic knob
60005302
Rivet 5x40 zinc plated black
70021622
Double flanged pin
80011624
Combustion chamber grate
70026926
Assembled upper door frame
60013056
Handle retainer screw
60010335
Glass fibre braided gasket D.8
70026723
Ash pan on heat exchanger side
80006480
Aluminium door
60004320
Handwheel D.20
70026692
Side panel
70026691
Complete grate frame
70011695 B-02-73
Short pin for raising grate
60004187
Pin 3x20 zinc-plated UNI 1336
Issue: 05/10/2020
Rev.:
File: Ricambi .2 Square/Square F

Installation, use and maintenance guide
BOSKY SQUARE 30 – BOSKY SQUARE F30

KEY 3
70026697
Secondary air box
70022818
SCREW AISI 304 TCEI M5X40 A2
70028858
Complete stainless steel frame assembly for cooktop Bosky Square
70026901
Complete stainless steel frame assembly for cooktop Bosky Square F
70026858
Spacer for handle
70026857
Handrail support
70028832
Complete front handrail Bosky Square
70028831
Handrail Bosky Square
70026423
Complete front handrail Bosky Square F
70026424
Handrail Bosky Square F
70028856
Adjustable mounting feet
70028867
RH internal panel reinforcement
70027927
Central upright
70028856
Adjustable mounting feet
70028839
RH inner panel Square
70027905
RH inner panel Square F
60011673
Spring
70026871
Bosky logo
70028829
Rear casing Square
70027902
Rear casing Square F
70028868
Rear insulation panel Bosky Square
70026728
Rear insulation panel Bosky Square F
70026932
Reinforcing bracket
70028979
Backsplash Bosky Square
70031044
Backsplash Bosky Square F
70028828
Rear internal panel Bosky Square
70027915
Rear internal panel Bosky Square F
70031042
Stainless steel rear frame for cooktop Bosky Square F
70028978
Stainless steel rear frame for cooktop Bosky Square
70026730
Rear flue blanking plate
70026931
Flue collar
70026770
Rear smoke outlet cover
Issue: 05/10/2020
Rev.: 20/07/2021
File: Ricambi_3 Square/Square F

KEY 4
70026882 LH side casing white
70026883 LH side casing gunmetal
70026886 LH side casing bordeaux
70026902 Terminal block cover white
70026903 Terminal block cover gunmetal
70026906 Terminal block cover bordeaux
70027913 Complete cosmetic door assembly white
70026935 Complete cosmetic door assembly gunmetal
70026934 Complete cosmetic door assembly bordeaux
70026872 Cosmetic door panel white
70026873 Cosmetic door panel gunmetal
70026876 Cosmetic door panel bordeaux
70027912 Complete handle
70026919 Hinge
60011548 Base plate
70028830
Stove base profile Bosky Square
70026907
Stove base profile Bosky Square F
70026727
Casing side insulation panel Bosky
70026942
Large hotplate for cooktop Bosky Square and F
70026943
Small hotplate for cooktop Bosky Square F
70028843
Complete cooktop Bosky Square
70026744
Complete cooktop Bosky Square F
70028835
Glass cooktop Bosky Square
70027908
Glass cooktop Bosky Square F
70030941
Braided gasket D.12 Bosky Square and Square F
70026727
Casing side insulation panel Bosky
70028860 Front casing Bosky Square white
70028861 Front casing Bosky Square gunmetal
70028864 Front casing Bosky Square bordeaux
70026887 RH side casing white
70026888 RH side casing gunmetal
70026891 RH side casing bordeaux
Issue: 05/10/2020
Rev.:
File: Ricambi_4 Square/Square F

KEY 5
70011835 Enamelled dripping pan
70026740 Oven grate
70026739 Oven side grate Bosky F
70026739 Oven side grate Bosky F
70027926 Oven front casing panel Bosky black enamel
60011523 Light holder Bosky Square F
60011560 Oven gasket
60004246 Roll holder
70026772 Expansion tank Bosky Square F
60012587 Gasket
70026863 Pipe connecting to the delivery points Bosky Square F
70026859 Door for cleaning the under-oven compartment Bosky F
70026783 Expansion tank support bracket Bosky F
70027910 Complete oven door assembly white 70026936 Complete oven door assembly bordeaux 70026937 Complete oven door assembly gunmetal 70026892 Casing front panel white 70026893 Casing front panel gunmetal 70026896 Casing front panel bordeaux 70027912 Complete handle 60010170 RH/LH oven door hinge 60009950 Mushroom thermometer D.17 60011552 Tempered outer oven door glass 60011553 Tempered inner oven door glass
70027911 Complete under-oven drawer assembly white 70026938 Complete under-oven drawer assembly bordeaux 70026939 Complete under-oven drawer assembly gunmetal 70026877 Under-oven drawer front casing panel white 70026878 Under-oven drawer front casing panel gunmetal 70026881 Under-oven drawer front casing panel bordeaux 70027912 Complete handle 60013774 RH+LH sliding guide
Issue: 05/10/2020 Rev.: File: Ricambi_5 Square/Square F



THERMOROSSI ^{tr}
FireLoes

THERMOROSSI S.p.A.
Via Grumolo, 4 (Z.I.) 36011 Arsiero (VI) - ITALY
Fax 0445.741657 - www.thermorossi.com - info@thermorossi.it