

## **WARNING**

**This information is a copy of an original archive, therefore Aga cannot be held responsible for its continued accuracy.**

# THE REMBRANDT

## Operating Instructions for the Rembrandt 16" & 18"



### Consumer Protection Act 1987

As manufacturers and suppliers of cooking and heating products, in compliance with Section 10 of the Consumer Protection Act 1987, we take every care to ensure, as far as is reasonably practicable, that these products are so designed and constructed as to meet the general safety requirement when properly used and installed. To this end, our products are thoroughly tested and examined before despatch.

**IMPORTANT NOTICE:** Any alteration that is not approved by Aga-Rayburn, could invalidate the approval of the appliance, operation of the warranty and could also affect your statutory rights.

### Control of Substances - Health & Safety Important

This appliance may contain some of the materials that are indicated below. It is the Users/Installers responsibility to ensure that the necessary personal protective clothing is worn when

handling where applicable, the pertinent parts that contain any of the listed materials that could be interpreted as being injurious to health and safety, see below for information.

**Firebricks, Fuel beds, Artificial Fuels** - when handling use disposable gloves.

**Fire Cement** - when handling use disposable gloves.

**Glues and Sealants** - exercise caution - if these are still in liquid form use face mask and disposable gloves.

**Glass Yarn, Mineral Wool, Insulation Pads, Ceramic Fibre, Kerosene Oil** - may be harmful if inhaled, may be irritating to skin, eyes, nose and throat. When handling avoid inhaling and contact with skin or eyes. Use disposable gloves, face-masks and eye protection. After handling wash hands and other exposed parts. When disposing of the product, reduce dust with water spray, ensure that parts are securely wrapped.

## RECOMMENDED FUELS

Welsh Dry Steam Coal (Large Nuts), House Coal-Trebles or Doubles.

Manufactured fuel such as Coalite, Homefire, Homefire Ovals, Newflame and Supacite.

**IMPORTANT:** FUELS SHOULD BE ADEQUATE IN SIZE. FUEL SMALLER THAN 1" DOES NOT GIVE SATISFACTORY RESULTS FUEL SHOULD BE STORED UNDER COVER.

## LIGHTING THE FIRE

Pull the lever on the right of the hood towards you, see Fig. 1. This opens the throat restrictor. Slide lever at the bottom of the fire front to the left, see Fig. 2. Light the fire in the usual way. If a gas burner ignition is fitted, raise the decorative front, lift off ashpit door, light the gas burner then add the fuel.

## AIR CONTROL AND ATTENTION TO THE FIRE

To control the rate of the burning, slide the regulator at the bottom of the fire front to the left to open, and to the right to close, see Fig. 2.

When burning coke, keep the firebox well filled and use a long thin poker to clear the ash from the bottom grate.

## CHIMNEY CONTROL

The lever on the right hand side of the hood should usually be pushed back, see Fig. 1. This restricts the flue outlet and prevents waste of heat up the chimney. After fuelling with household coal, it may be necessary to open the flue by pulling the lever towards you to prevent smoking.

When the fire has burned up, push the lever back again. When burning household coal, soot deposits may adhere to the throat restrictor plate. Keep the plate outlet clear of

soot by scraping it occasionally with a poker, or moving the plate sharply back and forward to knock off the soot.

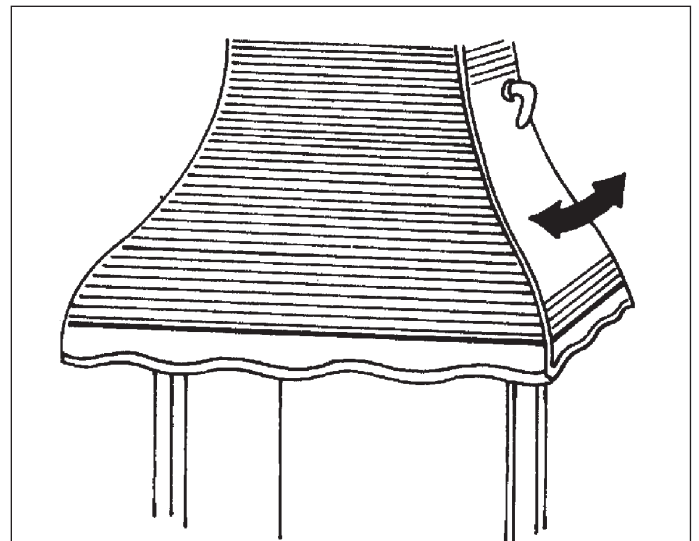


Fig. 1

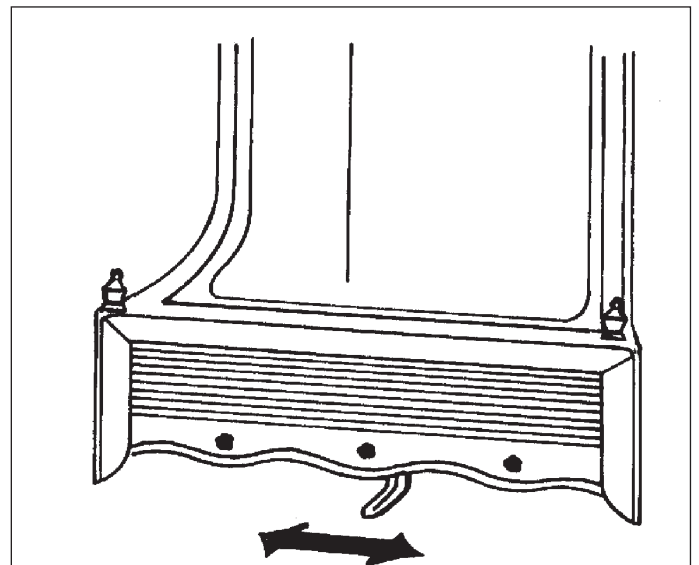


Fig. 2

## OVERNIGHT BURNING

Before adding fuel for overnight burning, rake the firebars clear of ash and empty the ashpan. Add fuel as required.

The correct setting for the air control must be found by experiment, but begin by closing it completely. A light covering sack helps to slow down the rate of burning.

## ASH

To remove the ashpan, raise the decorative front, see Fig. 3, lift off the ashpit door, see Fig. 4 and withdraw the ashpan with the tool provided, see Fig. 5.

When replacing, push the ashpan back as far as possible.

Empty the ashpan at regular intervals. If ash is allowed to accumulate until it touches the underside of the bottom grate, the bottom grate will quickly burn out.

## CHIMNEY SWEEPING

The chimney may be swept through the canopy when the throat restrictor is fully open. Any soot deposits on top of the register plate should be removed through access door in the plate. See access doors are airtight after replacing.

## CLEANING

On no account should the metal parts be wiped with a damp cloth and generally only dust need be removed with a light brush. Where there are bright metal parts, these should be covered with a vegetable oil when the grate is out of use, during summer, to prevent rust.

With Aga-Rayburn's policy of continuous product improvement, the Company reserves the right to change specifications and make modifications to the appliance described and illustrated at any time.

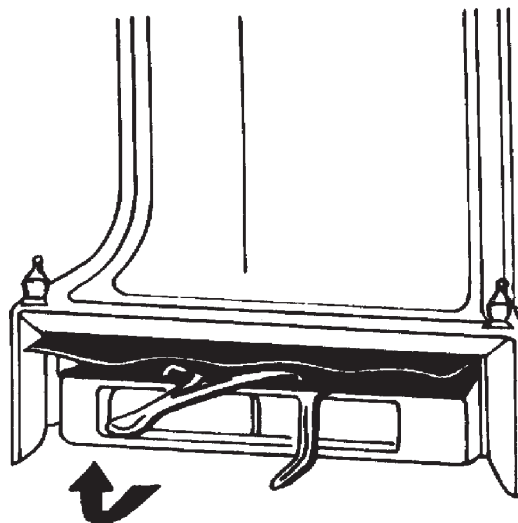


Fig. 3

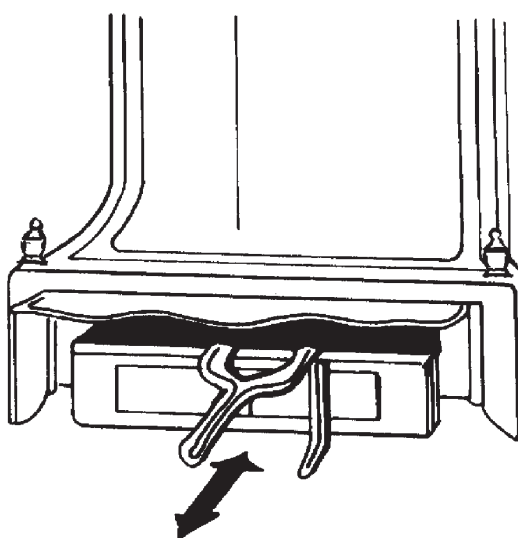


Fig. 4

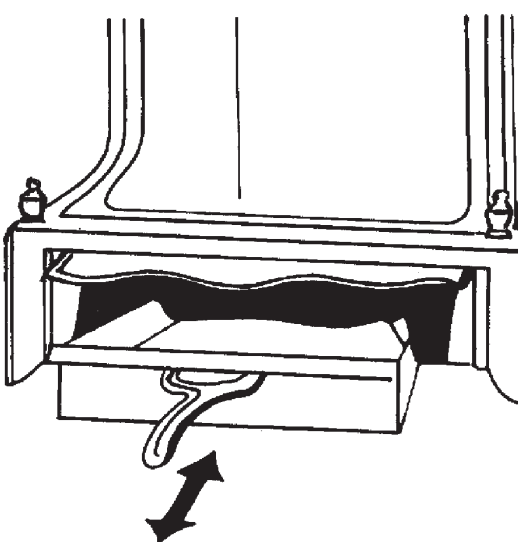


Fig. 5

For further advice or information contact your local distributor/stockist

COALBROOKDALE

Manufactured By  
Aga-Rayburn  
Station Road, Ketley, Telford, Shropshire, TF1 5AQ

Telephone (01952) 642000 Fax (01952) 641961

[www.aga-rayburn.co.uk](http://www.aga-rayburn.co.uk)  
[www.agacookshop.co.uk](http://www.agacookshop.co.uk)  
[www.agalinks.com](http://www.agalinks.com)