

WARNING

This information is a copy of an original archive, therefore Aga cannot be held responsible for its continued accuracy.

THE REMBRANDT

Installation Instructions Rembrandt 16" & 18"

Consumer Protection Act 1987

As manufacturers and suppliers of cooking and heating products, in compliance with Section 10 of the Consumer Protection Act 1987, we take every care to ensure as far as is reasonably practicable, that these products are so designed and constructed as to meet the general safety requirement when properly used and installed. To this end, our products are thoroughly tested and examined before despatch.

Control of Substances - Health & Safety

IMPORTANT: This appliance contains some of the materials that are indicated below. It is the Users/Installers responsibility to ensure that the necessary personal protective clothing is worn when handling, where applicable, the pertinent parts that contain any of the listed materials that could be interpreted as being injurious to health and safety, see below for information.

FIREBRICKS, FUELBEDS, ARTIFICIAL FUEL: when handling use disposable gloves.

FIRE CEMENT: when handling use disposable gloves.

GLUES AND SEALANTS: exercise caution - if these are still in liquid form use face mask and disposable gloves.

GLASS YARN, MINERAL WOOL, INSULATION PADS, CERAMIC FIBRE: may be harmful if inhaled, may be irritating to skin, eyes, nose and throat.

When handling avoid inhaling and contact with skin or eyes.

Use disposable gloves, face masks and eye protection.

After handling wash hands and other exposed parts.

When disposing of the product, reduce dust with water spray, ensure that parts are securely wrapped.

Consumer Protection Act 1987

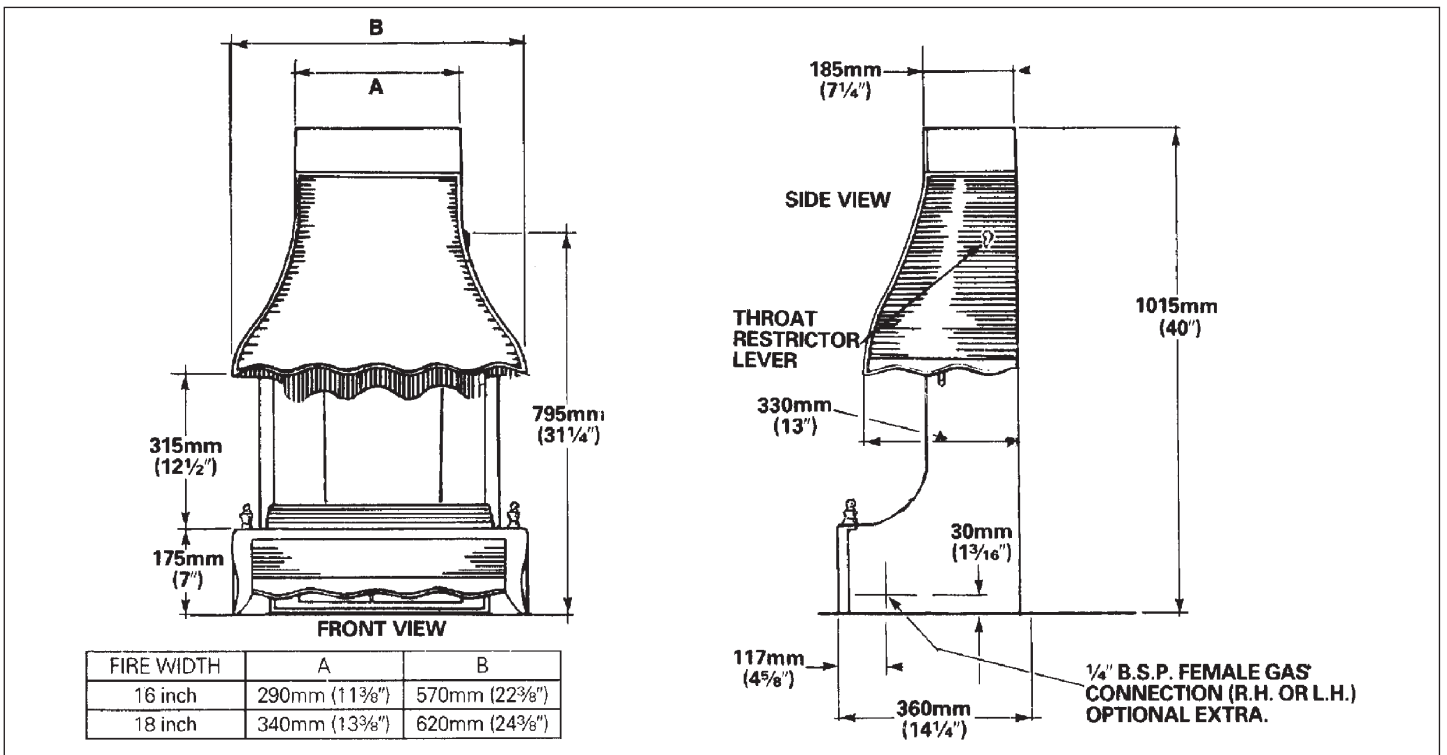
As manufacturers and suppliers of cooking and heating products, in compliance with Section 10 of the Consumer Protection Act 1987, we take every care to ensure, as far as reasonably practicable, that these products are so designed and constructed as to meet the general safety requirement when properly used and installed. To this end, our products are thoroughly tested and examined before despatch.

Performance

The fire is intended to provide space heating and has been approved by the Domestic Solid Fuel Appliance Approval Scheme.

The Chimney

For correct operation of the appliance, the height of the chimney from its base should not be less than 5.5m (18ft) and terminate above the roof in accordance with current Building Regulations and requirements as outlined in BS. 6461: 1984 Parts 1 and 2 should be observed. The structural flue through the chimney should not be less than 200mm (8in) diameter. Pargeted lined flues 230 x 230mm (9in x 9in) must be in sound condition, and any internal offsets should not be less than 60° to the horizontal. Check that the flue exit is not obstructed or reduced in size.



The vertical height between the appliance rectangular flue outlet and the bottom of the chimney structural flue should not be less than 380mm (15in) and open voids above the appliance must be omitted by corbelling the brickwork and flaunching the brick pargery between the appliance and the base of the chimney flue.

Alternatively, an optional adaptor is available for connecting the appliance to the chimney flue, to avoid this extra brickwork and flaunching.

IMPORTANT: FAILURE TO OBSERVE THE RECOMMENDED MINIMUM SIZES OR METHODS OF FLUE CONNECTION MAY LEAD TO FUME EMISSION INTO THE ROOM AND REDUCED BURNING RATES.

Existing Chimney

The internal and external condition of the chimney should be checked **before** the appliance is installed and rectification made where necessary to prevent air leakage or porosity.

The flue through the chimney should be formed with 200mm (8in) diameter minimum moisture and acid resistant liners to BS1181: 1971 or precast lining as specified in the current Building Regulations 1985 and requirements in BS6461: 1984 Parts 1 and 2 should be observed.

When repairing existing chimneys, it is recommended that the Building Inspector be consulted before the commencement of work with particular attention to the chimney height and its termination.

THE CHIMNEY SHOULD BE SWEEPED BEFORE INSTALLATION.

An installer must ensure that appropriate protective clothing is worn/issued when carrying out an installation that may result in the disturbance of asbestos.

New Chimney

The flue should not be less than 200mm (8in) diameter and its soundness confirmed by smoke testing or consulting the district S.F.A.S. who will give advice on the test method.

Ensure the chimney liners are free of any internal projections such as building jointing composition before the appliance is installed.

Factory Made Insulated Chimney - See Fig. 5

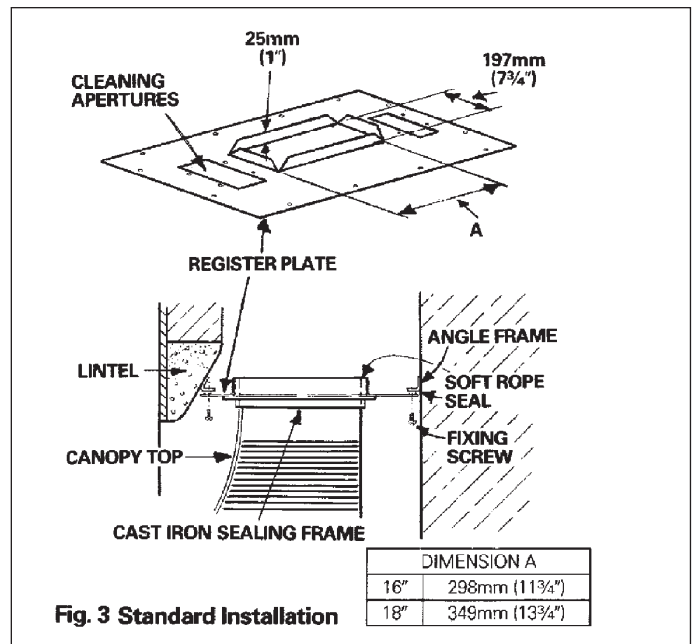
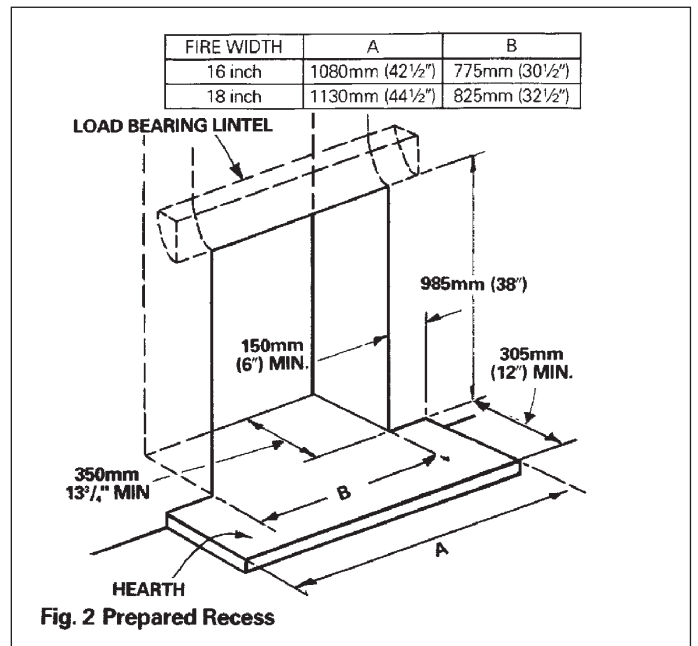
It is recommended that the internal face of the chimney, be refractory lined and otherwise comply with BS4543. The recommended minimum diameter is 200mm (8in) and chimney manufacturers should be consulted for further advice.

Chimney Terminations

All chimneys should terminate above the roof level in accordance with current Building Regulations and as outlined in BS6461: 1984 Parts 1 and 2.

However well designed, constructed and positioned, the satisfactory performance of a flue can be adversely affected by the down-draughts caused by adjacent tall buildings and trees or even nearby hills. These deflect the wind creating a zone of high pressure over the terminal causing it to blow directly down the chimney flue. A suitable anti-downdraught terminal such as the MARCONE will usually effectively combat low pressure down-blow but no known cowl is likely to prevent downdraught due to a high pressure zone.

Advise the user to ensure the chimney flues are thoroughly swept at a minimum of 12 monthly intervals after the appliance is commissioned particularly if bituminous coal is consistently being burned.



Preparation of Builders Recess Opening

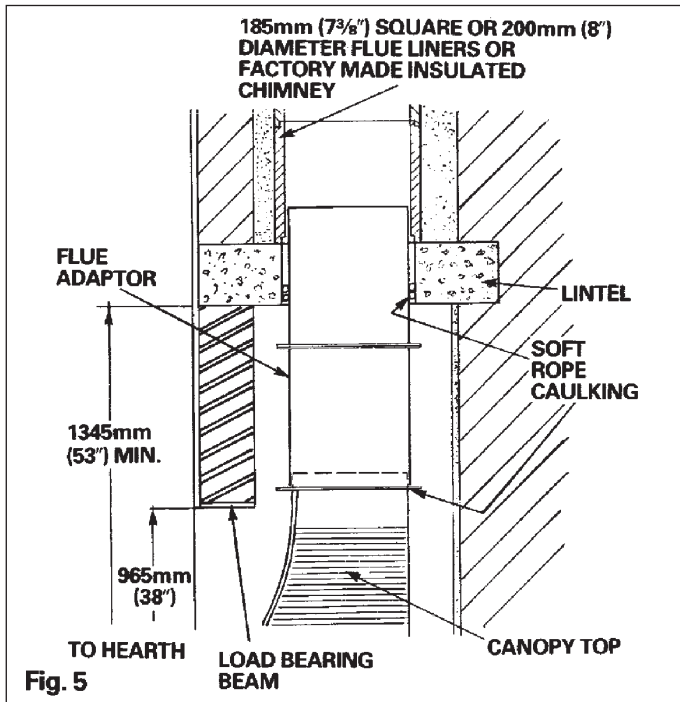
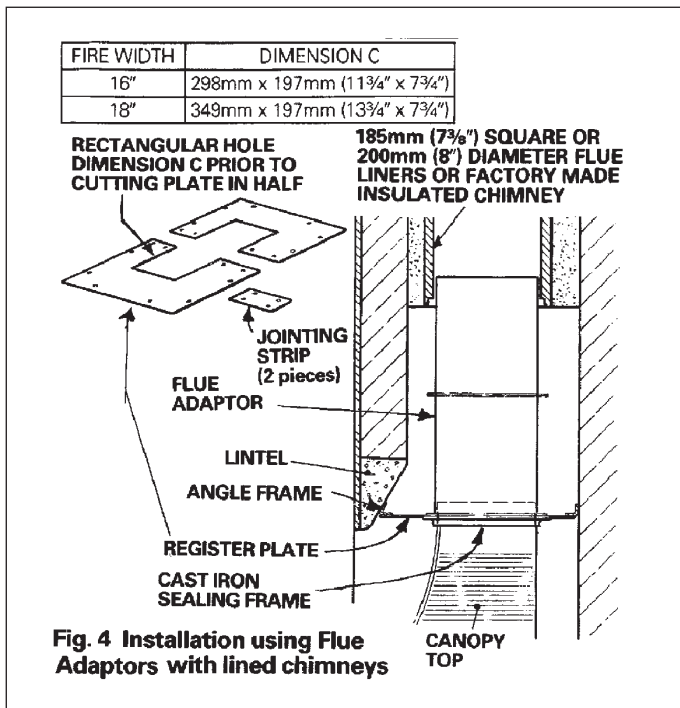
The appliance and recess, hearth and chimney flue installation should be in accordance with the relevant recommendations of the British Codes of Practice BS8303: 1986 and BS6461: 1984 Parts 1 and 2 and any relevant requirements of the Local Authority.

The appliance must only be installed in a non-combustible recess in which the hearth must be level and together with the adjacent walls conform to the current Building Regulations. See Fig. 2.

The recommended height of recess from hearth level to register plate is 965mm (38in) and recess depth of 350mm (13¾in) minimum. An allowance of 100mm (4in) minimum clearance each side of the canopy is required. The appliance dimensions for the 16" and 18" flue are shown on the drawings (page 1).

Air Supply

A permanent unobstructed air vent is required having a minimum effective area of 275cm² (42.75in²) and communicating directly to outside air or an adjacent room which itself has a permanent air vent direct to outside air.



Air Extract Fans

Building Regulations 1990 permit the installation of an air extract fan in a room containing a solid fuel appliance. The appliance must be able to operate effectively whether or not the fan is running. To this end:

1. Ensure the fan duty is capable of coping with the respective room volume. Avoid an oversize fan duty performance.
2. Follow the directions recommended by the fan manufacturer on the necessary air ingress needed for the fan or overhead cooker hood, then add this compensatory area to that recommended for the appliance primary air needs to form a permanent air vent.
3. Ensure the wall location of the fan does not deprive the appliance of primary air.

Testing and Commissioning

After completing the installation, the Heating Contractor should demonstrate to the user, the operation of the fire, e.g. primary air setting lever and throat restrictor as well as the routine flue cleaning method.

1. If the height of the recess opening is higher than 965mm (38in) and cannot be reduced, fit an airtight metal extension (optional extra) or sleeve over the top of the canopy flue outlet. The overlap joint should be caulked with soft rope to form a seal and the top of the sleeve should extend above the register plate by 50mm (2in).
2. Should there be a large cavity or void above the register plate, a longer extension should be fitted to the fire outlet, extending to the throat or gather of brick flue. Alternatively, a purpose made adaptor (optional extra) may be fitted.

Installation

Due regard should be taken of the requirements of the Health and Safety at Work Act 1974 and care must be taken in handling the appliance to the site installation with aids used wherever possible.

The caustic nature of fire cement can affect the skin when being applied and efforts should be made to remove cement from hands immediately after use by washing, or preferably use of barrier gloves.

The Coalbrookdale Rembrandt fire is delivered completely assembled and ready for fixing.

1. Standard Installation - Fig. 3.

The top of the recess must be sealed, preferably by a sheet metal register plate with a completed rectangular flanged clearance slot 298mm (11³/₄in) wide x 197mm (7³/₄in) deep for the 16" Rembrandt and 349mm (13³/₄") wide x 197mm (7³/₄") deep for the 18" Rembrandt. Cut the slot about 50mm (2in) smaller than the completed size and strip the corners to mitre followed by a plunged 25mm (1in) upward bend.

The register plate should incorporate an airtight access door/opening for the removal of any soot which may accumulate on top of the register plate. Avoid large pockets and voids between the register plate and flue by suitable filing where possible. It is essential that no air is allowed to reach the chimney flue except through the canopy throat.

A conventional method of securing and sealing the register plate is to secure an angle frame all round the walls of the recess and attach the register plate to the frame with fixing screws ensuring the joint is sealed with soft rope and fire cement.

2. a. Lined Chimney with Flue Adaptor Installation

(i) With Existing Recess - Fig. 4

- a. Determine the size of the register plate and cut a rectangular slot 298mm (11³/₄") wide x 197mm (7³/₄") deep for the 16" Rembrandt or 349mm (13³/₄") wide x 197mm (7³/₄") deep for the 18" Rembrandt. Cut the register plate into two halves leaving a LH and RH section and drill fixing holes in each section for future connection by jointing strip. (See Fig. 4).
- b. Position adaptor in recess above lintel level and temporarily wedge in position.
- c. Locate and fix register plate support frame to brickwork.
- d. Position appliance in recess concentrically below chimney flue and lower wedged adaptor on to outlet of appliance.
- e. Attach jointing strip to one section of register plate and seal secure register plate section to angle support frame. Holding adaptor with one hand, drill hole through register plate section and flange of adaptor and secure together by screw.

NOTE: THIS PREVENTS THE ADAPTOR LIFTING WHEN SWEEPING CHIMNEY BY BRUSH. JOIN OTHER REGISTER PLATE SECTION IN SIMILAR FASHION TO OTHER AND SECURE SECTIONS TOGETHER BY FIXING SCREWS IN JOINTING STRIP.

2. b. (ii) **With Prepared Recess - Fig. 5**

- a. Prepare recess at least 830mm (32 1/2in) wide x 1345mm (53in) high but without front wall below lintel.
- b. Position adaptor as high as possible with spigot located through hole in lintel and temporarily wedge in position.
- c. Locate appliance concentrically below chimney flue and lower wedged adaptor on to outlet of appliance. Caulk soft rope between adaptor spigot and lintel clearance hole ensuring a permanent airtight joint.
- d. Finish brickwork beneath lintel complete with brick bearer and forming the front height of recess at 965mm (38in).

3. With the appliance in position, carefully seal the firefront to hearth with cement making an airtight joint.

NOTE: WHEN INSTALLING WITHOUT THE FLUE ADAPTOR, THE GAP BETWEEN THE REGISTER PLATE AND APPLIANCE CANOPY SHOULD BE SEALED WITH SOFT ROPE HELD IN POSITION BY THE CAST IRON CLAMPING FRAME AROUND THE CANOPY.

4. If the gas ignition burner is included, open packet containing injector and socket and fit as directed to outlet of gas tap. Connect ignition burner to injector socket and blank off opposite side of burner which is suitable for Natural Gas only.

Light the gas burner checking that when correctly located, the flames pass through the air spaces of the bottom grate.

NOTE: GAS CONNECTIONS MUST SATISFY THE RELEVANT REGULATIONS AND BE MADE BY COMPETENT PERSONS.

Commissioning

Select the correct front firebar to suit the fuel to be used. See Figs. 1 and 2 of Operating Instructions. When lighting, place paper and sticks with a small quantity of fuel on to the bottom grate. Open the ashpit door fully via the lever and set the throat restrictor at fully open by pulling the canopy handle as far forward as possible.

Ignite fuel and when established, set throat restrictor to minimum by pushing the canopy handle as far away as possible and the other controls to suit requirements.

WHEN USING GAS IGNITION BURNER, DO NOT LEAVE ALIGHT LONGER THAN 15 MINUTES.

With the appliance under fire, check for soundness of seals/joints and that the flue functions correctly permitting all smoke and fumes to be vented through the chimney.

Testing after Commissioning

After completing the installation, the Heating Contractor should demonstrate to the User, the operation of the appliance and the routine flue cleaning method.

Ensure the Operating Instructions are left in the possession of the User.

Weight of complete appliance:

16" Rembrandt 94 kg (206lb)

18" Rembrandt 102 kg (224lb)

Replacement parts if require are available through your local Stockist.

With Aga-Rayburn's policy of continuous product improvement, the Company reserves the right to change specifications and make modifications to the appliance described and illustrated at any time.



Manufactured By
Aga-Rayburn
Station Road, Ketley, Telford, Shropshire, TF1 5AQ

Telephone (01952) 642000 Fax (01952) 641961

**For further advice or information contact
your local distributor/stockist**

www.aga-rayburn.co.uk
www.agacookshop.co.uk