

WARNING

This information is a copy of an original archive, therefore Aga cannot be held responsible for its continued accuracy.

THE MUCH WENLOCK

Operating Instructions for Freestanding Much Wenlock Stove



Consumer Protection Act 1987

As manufacturers and suppliers of cooking and heating products, in compliance with Section 10 of the Consumer Protection Act 1987, we take every care to ensure as far as is reasonably practicable, that these products are so designed and constructed as to meet the general safety requirement when properly used and installed. To this end, our products are thoroughly tested and examined before despatch.

IMPORTANT NOTICE: Any alteration that is not approved by Aga-Rayburn, could invalidate the approval of the appliance, operation of the warranty and could also affect your statutory rights.

Control of Substances - Health and Safety Important

This appliance may contain some of the materials that are indicated below. It is the Users/Installers responsibility to ensure that the necessary personal protective clothing is worn when

handling, where applicable, the pertinent parts that contain any of the listed materials that could be interpreted as being injurious to health and safety, see below for information.

Firebricks, Fuel beds, Artificial Fuels - when handling use disposable gloves.

Fire Cement - when handling use disposable gloves.

Glues and Sealants - exercise caution - if these are still in liquid form use face-mask and disposable gloves.

Glass Yarn, Mineral Wool, Insulation Pads, Ceramic Fibre, Kerosene Oil - may be harmful if inhaled, may be irritating to skin, eyes nose and throat. When handling avoid inhaling and contact with skin or eyes. Use disposable gloves, face-masks and eye protection. After handling wash hands and other exposed parts. When disposing of the product, reduce dust with water spray, ensure that parts are securely wrapped.

The appliance user should check with their installer that the chimney has been examined and confirmed for soundness, the chimney has been swept prior to the stove installation and is free of any obstructions.

FUELS

Smokeless

Manufactured

"Phurnacite Plus", "Supacite", "Centurion", "Coalite" Nuts, "Maxibrite", "Phurnacite", "Sunbrite" Doubles "Extracite", "Blazebrite", "Taybrite" Natural Anthracite Large Nuts, Welsh Dry Steam Coal (Large Nuts)

PETROLEUM COKE MUST NOT BE USED.

NOTE: Pureheat fuel must not be used with this

appliance.

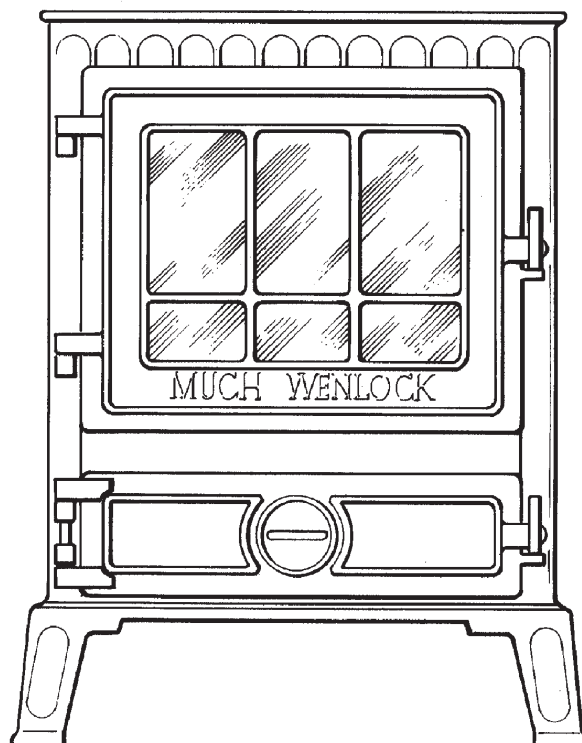
In addition to smokeless fuels the following fuels may be used but only outside smoke control areas:

Selected bituminous housecoal (trebles/large nuts or double nuts) These fuels produce soot and should not be used if the appliance is used continually at low setting.

Wood logs and peat blocks.

NOTE: MOST TYPES OF LOGS AND PEAT BLOCKS MAY BE USED PROVIDING THEY HAVE BEEN DRIED AND ARE WELL SEASONED.

Ideally soft woods should be burned in the daytime and hard wood overnight.



DESN 510587

09/04 EOPI 33733

WARNING: WET WOOD SHOULD NOT BE USED AS CREOSOTE AND TAR-LIKE DEPOSITS FROM THE WOOD ARE INCREASED TO A LEVEL WHICH CAN GIVE RISE TO ADVERSE OPERATING CONDITIONS.

Fuels should be stored under cover.

NOTE: REFER PROBLEMS ABOUT FUEL SUITABILITY OR QUALITY TO FUEL SUPPLIER.

It is most important that the fuels should be of the correct size for the stove otherwise the appliance will not give a satisfactory performance.

WARNING: DO NOT FIT AN EXTRACTION FAN IN THE SAME ROOM AS THE APPLIANCE.

TO LIGHT THE FIRE

Sticks and Paper

- (a) Open the firedoor. Fig. 1.
- (b) Lay a liberal supply of wood/paper on the grate together with a small quantity of fuel and light the paper. Alternatively place three firelighters equally across the grate. Cover with fuel and light.
- (c) Close and lock firedoor. See Fig. 1 and set the ashpit door spinwheel to maximum. Fig. 2.
- (d) With fire established open the firedoor, fill firebox up to the top of the front firebar and sloping upwards to the back.
- (e) Close and lock the firedoor, Fig. 1 with the operating tool.
- (f) Adjust the ashpit door spinwheel, Fig. 2, to give the desired rate of burning.
- (g) Replace operating tool on its support cradle when not in use. See Fig. 5.

TO REGULATE BURNING

Maximum burning rate is obtained with the ashpit door spinwheel set at maximum. Minimum burning rate is half turn open. Adjust as required to suit the fuel and the heating desired.

A fully fuelled fire will last four hours (when burning solid fuel) at the maximum recommended burning rate before refuelling is required. Avoid clinker formation which indicates overfiring and always check that the firedoor is locked.

WARNING: FAILURE TO KEEP THE ASHPIT DOOR CLOSED, CAN RESULT IN OVERHEATING, AND IN EXTREME CONDITIONS, RESULT IN DAMAGE TO THE STOVE.

Overnight Banking and Daytime Slow Burning

De-ash thoroughly before refuelling and ensure there is a sufficient amount of hot fuel in the firebed before loading.

Fuel fire up to the top of the front firebar sloping the firebed upwards to the back of the firebox.

Set the ashpit door spinwheel to half turn open.

Experience will indicate the setting that provides the best results with the fuel being burnt.

NOTE: DIFFICULTY IN OBTAINING BANKING CAN SOMETIMES BE OVERCOME BY THE USE OF SMALLER SIZE FUEL e.g. SUNBRITE SINGLES.

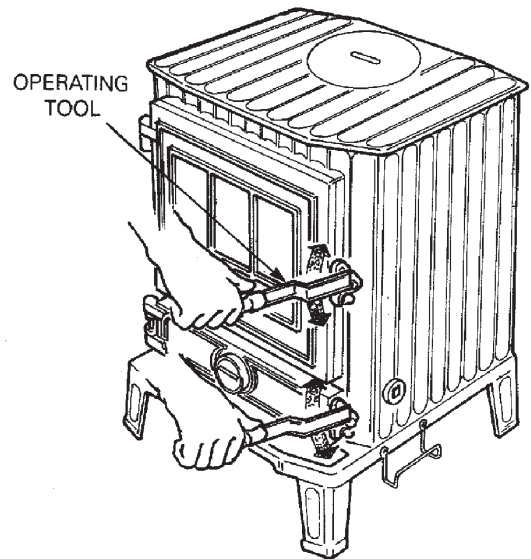


Fig. 1

DESN 510588

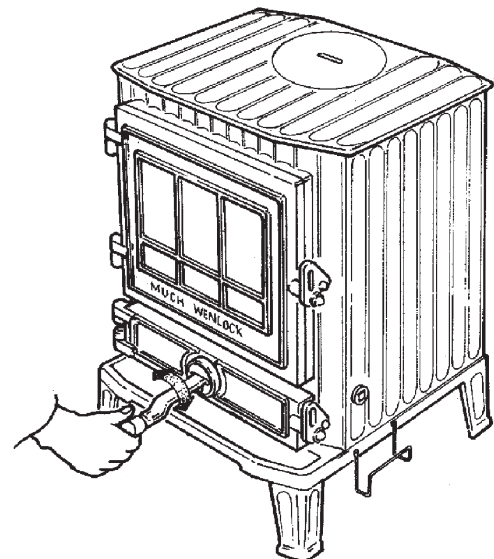


Fig. 2

DESN 510589

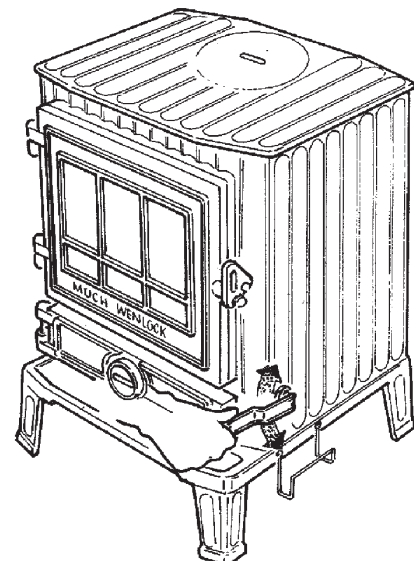


Fig. 3

DESN 510590

DE-ASHING AND ASH REMOVAL

- (a) Riddle the bottomgrate by engaging the operating tool in the right hand side square socket shaft - Fig. 3 and rotate/reverse it sharply for about 10 strokes by which time the fire should be free of ash. Riddle the grate at least twice daily (more often if required) and always before re-fuelling.
- (b) Open the locked ashpit door with the operating tool. Fig. 1.
- (c) Remove the ashpan with the operating tool. Fig. 4. Allow to cool before placing contents in a plastic bin or liner.

NOTE: EMPTY THE ASHPAN AT REGULAR INTERVALS AND DO NOT ALLOW ASH TO ACCUMULATE IN THE ASHPAN UNTIL IT TOUCHES THE UNDERSIDE OF THE BOTTOMGRATE AS THIS WILL SOON DESTROY THE BOTTOMGRATE.

The continued presence of shale, stone or clinker in the firebed will reduce burning rates.

To remove shale or stone from the firebed, open the firedoor and rake fire upwards with a poker to bring the shale or stone to the top and remove with tongs. The type fuel and the ashpit door spinwheel setting, govern the frequency of fuelling.

FUME EMISSION

WARNING: PROPERLY INSTALLED AND OPERATED THIS APPLIANCE WILL NOT EMIT FUMES. OCCASIONAL FUMES FROM DE-ASHING AND REFUELLING MAY OCCUR. PERSISTENT FUME EMISSION IS POTENTIALLY DANGEROUS AND MUST NOT BE TOLERATED. IF FUME EMISSION DOES PERSIST, THEN THE FOLLOWING IMMEDIATE ACTIONS SHOULD BE TAKEN:

- (a) Open doors and windows to ventilate room.
- (b) Let the fire out or eject and safely dispose of fuel from appliance.
- (c) Check for flue or chimney blockage, and clean if required.
- (d) Do not attempt to re-light the fire until cause of fume has been identified, if necessary seek professional advice.

APPLIANCE CLEANING

WARNING: ALLOW THE APPLIANCE TO THOROUGHLY COOL BEFORE CARRYING OUT THE FOLLOWING.

The flue pipe outlet should be swept on a monthly basis to prevent flyash deposits restricting the flueway and prevent fume emission and reduce burning rates.

- (a) Open the firedoor, remove front firebar and remove flue baffle plate.
- (b) (i) **Top Flue Outlet**
Remove the access door incorporated in the flue pipe (above the appliance). Insert provided flexible flue brush through the flue pipe access door to clean top of stove flueway. Fig. 6.
Brush deposits into firebox and replace flue pipe access door.

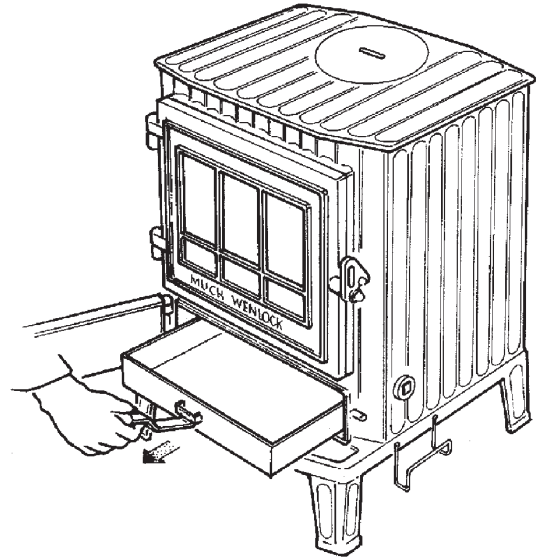


Fig. 4

DESN 510591

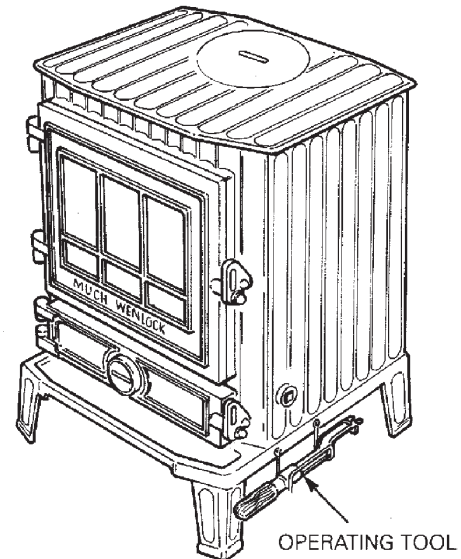


Fig. 5

DESN 510592

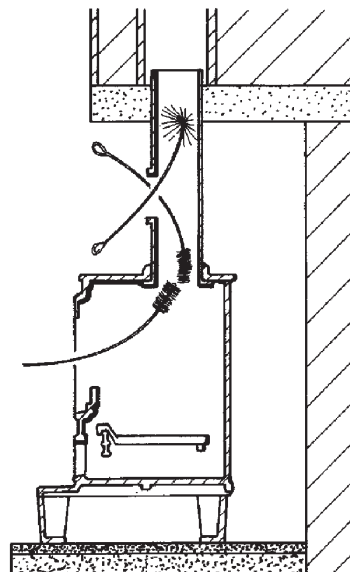


Fig. 6

DESN 510593

(ii) Back Flue Outlet

Insert provided flexible brush through appliance front to clean stove flueway. Fig. 7.

Access to rear flue way with flexible flue brush is made through the flueway access door. Fig. 7.

Brush deposits into firebox and replace access door.

- (c) Replace flue baffle plate, front firebar and close firedoor.

Chimney Sweeping

Swept at Least Once Annually - see Figs 6 and 7.

WARNING: NEGLECT OF CHIMNEY SWEEPING CAN LEAD TO DANGEROUS FUME EMISSION.

Top Flue

The chimney can be swept via the removal of the flue pipe access door or through the appliance. Fig. 6.

Back Flue

The chimney is swept through the rear elbow flue access door. Fig. 7.

NOTE: ALWAYS CLEAN THE APPLIANCE OUTLETS AND FLUEWAYS AFTER SWEEPING THE CHIMNEY AND FLUE PIPE.

CLEANING

Use a damp sponge or a proprietary brand of cleaner to clean outside of stove. Do not clean the stove when it is hot.

WARNING: DO NOT CLEAN STOVE WHEN HOT.

With use, the inside face of the glass door may become coated with dust and deposits. To clean the glass, allow it to cool and then wipe with a damp cloth and polish with a dry one.

SERVICING

1. Always use a qualified service engineer when service is required.
2. An inspection of both firedoor and ashpit door seals should be made every heating season and replaced if necessary.

PRECAUTIONS

When not in use remove all the fuel and ashes from the firebox. Leave the ashpit door spinwheel at an open setting to allow a constant stream of air to pass through the stove.

FIREGUARD

Use a fireguard in the presence of children, old and/or infirm people. The fireguard should be manufactured in accordance with BS 6539.

Replace individual bottomgrate bars as and when they burn out to ensure sufficient burning.

Replacement parts if required are available through your local stockist.

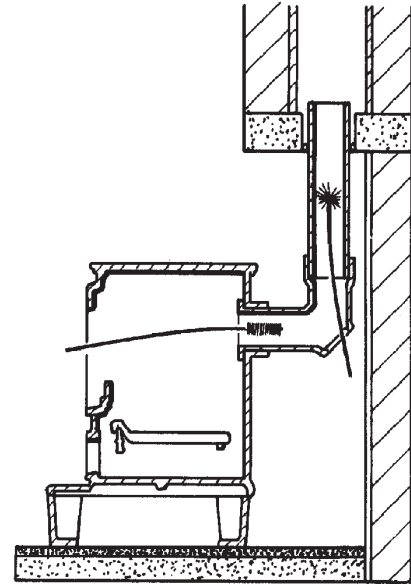


Fig. 7

DESN 510594

SPARE PARTS

Much Wenlock Stove

Part No.	Description	No. Req.
HS5M-MW209	Front firebar	1
HS5B-MW212	Bottomgrate (upper)	7
HS5B-MW213	Bottomgrate (lower)	6
HS1M-90295	Ashpan	1
HSFM-37539	Firedoor Glass Panel	1
JTHR-20389	Firedoor Rope Seal (980mm length)	1
JTHR-26389	Ashpit Door Rope Seal (840mm length)	1
HS4M-38855	Throat Restrictor	1

With Aga-Rayburn's policy of continuous product improvement, the Company reserves the right to change specifications and make modifications to the appliance described and illustrated at any time.



Manufactured by
Aga-Rayburn

Station Road, Ketley, Telford, Shropshire, TF1 5AQ
Telephone (01952) 642000 Fax (01952) 641961

For further advice or information contact your local distributor/stockist

www.aga-rayburn.co.uk
www.agacookshop.co.uk
www.agalinks.com