

WARNING

This information is a copy of an original archive, therefore Aga cannot be held responsible for its continued accuracy.

Operating Instructions for Freestanding Darby Stove Boiler and Non-Boiler Model

Consumer Protection Act 1987

As manufacturers and suppliers of cooking and heating products, in compliance with Section 10 of the Consumer Protection Act 1987, we take every care to ensure as far as is reasonably practicable, that these products are so designed and constructed as to meet the general safety requirement when properly used and installed. To this end, our products are thoroughly tested and examined before despatch.

IMPORTANT NOTICE: Any alteration that is not approved by Aga-Rayburn, could invalidate the approval of the appliance, operation of the warranty and could also affect your statutory rights.

Control of Substances - Health and Safety Important

This appliance may contain some of the materials that are indicated below. It is the Users/Installers responsibility to ensure that the necessary personal protective clothing is worn when

handling, where applicable, the pertinent parts that contain any of the listed materials that could be interpreted as being injurious to health and safety, see below for information.

Firebricks, Fuel beds, Artificial Fuels - when handling use disposable gloves.

Fire Cement - when handling use disposable gloves.

Glues and Sealants - exercise caution - if these are still in liquid form use face-mask and disposable gloves.

Glass Yarn, Mineral Wool, Insulation Pads, Ceramic Fibre, Kerosene Oil - may be harmful if inhaled, may be irritating to skin, eyes nose and throat. When handling avoid inhaling and contact with skin or eyes. Use disposable gloves, face-masks and eye protection. After handling wash hands and other exposed parts. When disposing of the product, reduce dust with water spray, ensure that parts are securely wrapped.

The appliance user should check with their installer that the chimney has been examined and confirmed for soundness, the chimney has been swept prior to the stove installation and is free of any obstructions.

The freestanding Darby Stove is intended for:

- (a) **Non-Boiler Model**
Space heating only.
- (b) **Boiler Model**
 - (i) Space heating and combined domestic hot water supply and radiators.
 - (ii) Space heating and heating of pipes and radiators only.

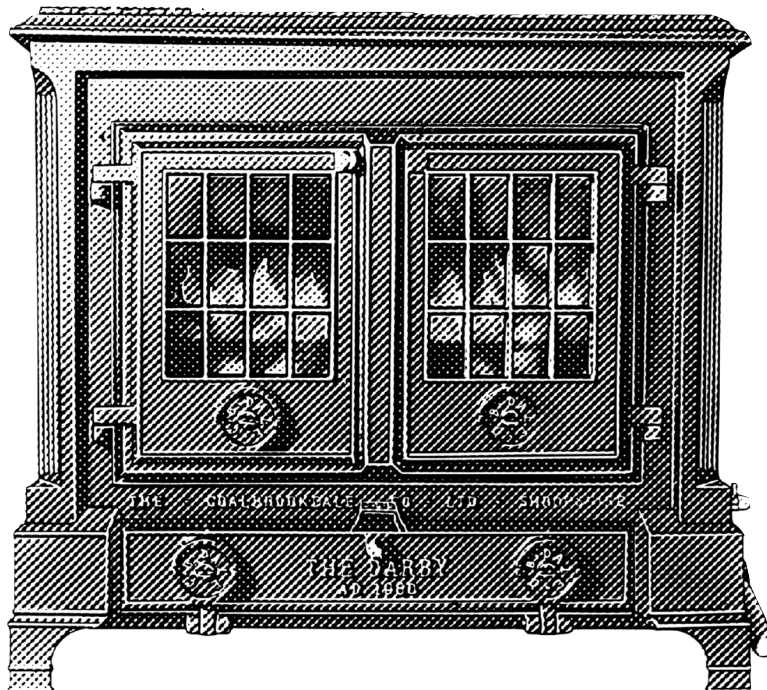
WARNING BOILER MODEL

UNDER NO CIRCUMSTANCES MUST THE
APPLIANCE BE FIRED DRY AS DAMAGE
WILL OCCUR

FUELS

Smokeless - Sunbrite Doubles, Coalite, Phurnacite, Supacite, Welsh Dry Steam Coal (Large Nuts), Anthracite Large Nuts.

PETROLEUM COKE MUST NOT BE USED.



In addition to smokeless fuels the following fuels may be used but only outside smoke control areas:

Selected bituminous housecoal (trebles/large nuts or double nuts).

Wood logs and peat blocks.

NOTE: MOST TYPES OF LOGS AND PEAT BLOCKS MAY BE USED PROVIDING THEY HAVE BEEN DRIED AND ARE WELL SEASONED.

Ideally soft woods should be burned in the daytime and hard wood overnight.

WARNING: WET WOOD SHOULD NOT BE USED AS CREOSOTE AND TAR-LIKE DEPOSITS FROM THE WOOD ARE INCREASED TO A LEVEL WHICH CAN GIVE RISE TO ADVERSE OPERATING CONDITIONS.

Fuels should be stored under cover.

NOTE: REFER PROBLEMS ABOUT FUEL SUITABILITY OR QUALITY TO FUEL SUPPLIER.

It is most important that the fuels should be of the correct size for the stove otherwise the appliance will not give a satisfactory performance.

WARNING: DO NOT FIT AN EXTRACTION FAN IN THE SAME ROOM AS THE APPLIANCE.

TO LIGHT THE FIRE

Non-Boiler Model (Sticks and Paper)

- Open the firedoors with operating tool. Fig. 1.
- Lay a liberal supply of wood/paper on the grate together with a small quantity of fuel and light the paper. Alternatively place four firelighters equally spaced across the grate. Cover with fuel and light.
- Close and lock both firedoors. See Fig. 1 and set the ashpit door spinwheels to maximum. Fig. 2a.
- With fire established open the firedoors, fill firebox up to the top of the front firebar and sloping upwards to the back.
- Close and lock the firedoors, Fig. 1 with the operating tool.
- Adjust the ashpit door spinwheels, Fig. 2a to give the desired rate of burning.
- Replace operating tool on its support cradle when not in use. See Fig. 3.

Boiler Model (Sticks and Paper)

- Open the firedoors with operating tool. Fig. 1.
- Lay a liberal supply of wood/paper on the grate together with a small quantity of fuel and light the paper. Alternatively place four firelighters equally spaced across the grate. Cover with fuel and light.
- Close and lock both firedoors. See Fig. 1 and set the thermostat knob to high (No.8). Fig. 2b.
- With fire established open the firedoors, fill firebox up to the top of the front firebar and sloping upwards to the back.
- Close and lock firedoors, Fig. 1 with operating tool.
- Adjust the thermostat knob, to give desired rate of burning. Fig. 2b.
- Replace operating tool on its support cradle when not in use. See Fig. 3.

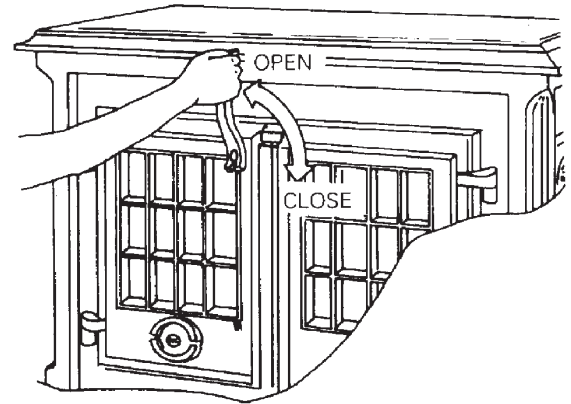


Fig.1

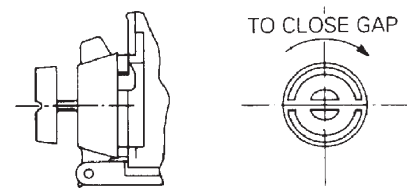


Fig.2a

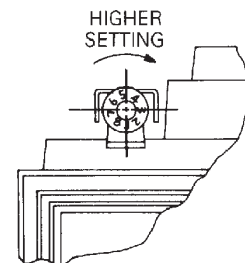


Fig.2b

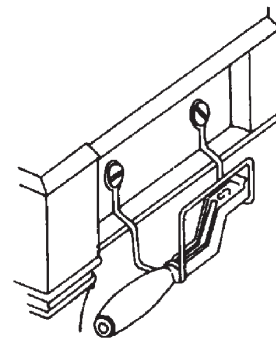


Fig.3

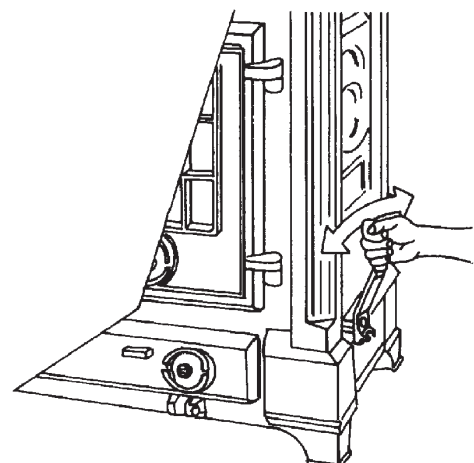


Fig.4

TO REGULATE BURNING

Non-Boiler Model

Maximum burning rate is obtained with both ashpit door spinwheels set at maximum. Minimum burning rate is half turn open. Adjust as necessary to suit the fuel and the heating required. Fig. 2a.

Boiler Model

Maximum burning rate is obtained with the thermostat control knob set to 8 (high) and 1 (low) minimum rate.

Adjust as required to suit the fuel and the heating required. See Fig. 2b.

NOTE: THE SPINWHEELS ON THE ASHPIT DOOR OF THE BOILER MODEL ARE DECORATIVE ONLY AND SHOULD NOT BE TURNED.

A fully fuelled fire will last four hours (when burning solid fuel and two hours when burning wood) at the maximum recommended burning rate before refuelling is required. Avoid clinker formation which indicates overfiring and always check that the firedoors are locked.

NOTE: THE SECONDARY AIR SPINWHEELS ON THE FIREDOORS ON BOTH NON-BOILER AND BOILER MODELS ARE PRESET AT THE FACTORY AND SHOULD NOT BE TURNED.

WARNING: FAILURE TO KEEP THE ASHPIT DOORS CLOSED, CAN RESULT IN OVERHEATING, AND IN EXTREME CONDITIONS, RESULT IN DAMAGE TO THE STOVE.

Overnight Banking and Daytime Slow Burning

De-ash thoroughly before refuelling and ensure there is a sufficient amount of hot fuel in the firebed before loading.

Refuel up to the top of the front firebar sloping the firebed upwards to the back of the firebox.

Set the ashpit door spinwheels to half-turn open on non-boiler model or thermostat to No.1 on boiler model.

Experience will indicate the setting that provides the best results with the fuel being burnt.

NOTE: DIFFICULTY IN OBTAINING BANKING CAN SOMETIMES BE OVERCOME BY THE USE OF SMALLER SIZE FUEL, e.g. SUNBRITE SINGLES.

WATER HEATING

The supply of hot water is dependent on the rate of burning and is greatest with the thermostat set at 8 (high) and least when the thermostat is set at 1 (low).

The boiler is designed to heat radiators as well as supply domestic hot water. Fuel consumption will be higher when heating radiators and these should be turned off when not required.

DE-ASHING AND ASH REMOVAL

(a) Riddle the bottomgrate by engaging the operating tool in the right hand side shaft - Fig. 4 and rotate/reverse it sharply for about 10 strokes by which time the fire should be free of ash. Riddle the grate at least twice daily (more often in required) and always before refuelling.

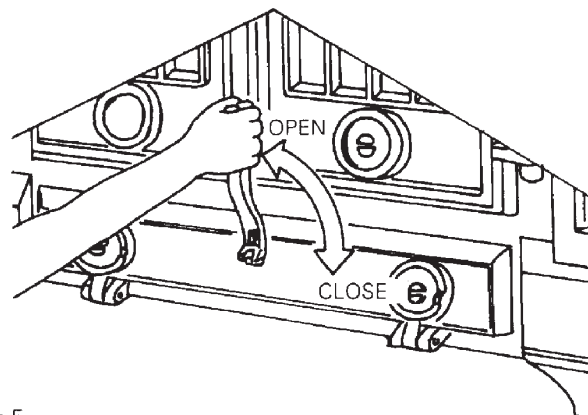


Fig.5

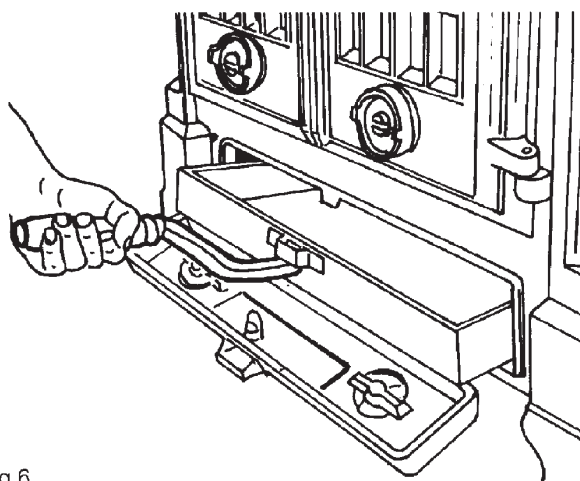


Fig.6

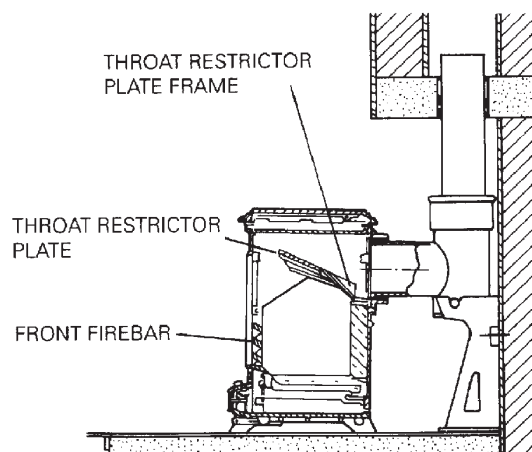


Fig.7

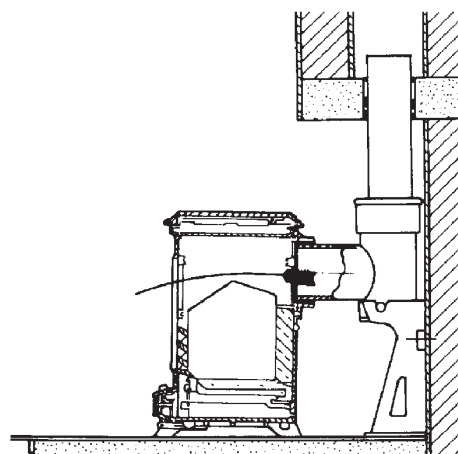


Fig.8

(b) Open the locked ashpit door with the operating tool. Fig. 5.

(c) Remove the ashpan with the operating tool. Fig. 6.
Allow to cool before placing contents in a plastic bin or liner.

NOTE: EMPTY THE ASHPAN AT REGULAR INTERVALS AND NOT ALLOW ASH TO ACCUMULATE IN THE ASHPAN UNTIL IT TOUCHES THE UNDERSIDE OF THE BOTTOMGRATE AS THIS WILL SOON DESTROY THE BOTTOMGRATE.

The continued presence of shale, stone or clinker in the firebed will reduce burning rates.

To remove shale or stone from the firebed, open the firedoors, and rake the fire upwards with a poker to bring the shale or stone to the top and remove with tongs. The type of fuel and the ashpit door spinwheels settings, govern the frequency of fuelling.

FUME EMISSION

WARNING: PROPERLY INSTALLED AND OPERATED THIS APPLIANCE WILL NOT EMIT FUMES.

OCCASIONAL FUMES FROM DE-ASHING AND REFUELLING MAY OCCUR, PERSISTENT FUME EMISSION IS POTENTIALLY DANGEROUS AND MUST NOT BE TOLERATED. IF FUME EMISSION DOES PERSIST, THEN THE FOLLOWING IMMEDIATE ACTIONS SHOULD BE TAKEN:

- Open doors and windows to ventilate room.
- Let the fire out or eject and safely dispose of fuel from appliance.
- Check for flue or chimney blockage, and clean if required.
- Do not attempt to re-light fire until cause of fumes has been identified, if necessary seek professional advice.

APPLIANCE CLEANING

WARNING: ALLOW THE APPLIANCE TO COOL THOROUGHLY BEFORE CARRYING OUT THE FOLLOWING:

Non-Boiler Model

- Open the firedoors, remove front firebar, throat restrictor and frame. Fig. 7.
- Insert flexible brush provided through appliance front to clean stove flueway, Brush deposits into firebox. Fig. 8.
- Replace throat restrictor, frame and front firebar.

Boiler Model

- Open the firedoors and remove front firebar.
- For flue brush access to the rear flue outlet and rear boiler flueways, remove boiler plug located at centre back of firebox, which is also the front of the boiler.

Clear soot deposits around plug with a knife or sharp instrument, then use a hammer and a piece of hard wood to tap the plug in an anti-clockwise direction (marked open) for approximately 1/4 turn. The plug should then be loose and easy to withdraw by hand. Fig. 9.

Access is now available to clean the back outlet and rear boiler flueways by passing the flue brush provided through the firedoor and boiler access hole. Fig. 10. When replacing the plug, no sealant is required. Insert the plug so that the locking lugs on the plug pass through corresponding slots in the boiler back, and then turn approximately 1/4 turn in a clockwise direction (marked CLOSED).

(c) Replace front firebar and close firedoors.

CHIMNEY SWEEPING: SWEEP AT LEAST ONCE ANNUALLY AND FLUEWAYS MONTHLY.

WARNING: NEGLECT OF CHIMNEY SWEEPING CAN LEAD TO DANGEROUS FUME EMISSION.

NOTE: ALWAYS CLEAN THE APPLIANCE OUTLETS AND FLUEWAYS AFTER SWEEPING THE CHIMNEY AND FLUE PIPE.

Use wire centred sweep brushes fitted with a guidewheel for most efficient chimney sweeping. Where the chimney is believed to have served an open fire installation it is possible that the higher flue gas temperatures from a closed appliance may loosen deposits that were previously firmly adhered, with the consequent risk of flue blockage.

It is therefore recommended that the chimney be swept a second time after one month of regular use.

CLEANING

Cleaning should be carried out when the stove is cold.

The exterior of the stove can be cleaned with a vacuum cleaner, or dusted with a soft brush, either dry or moistened by drawing the bristles over a damp cloth.

A cloth is not recommended as it can leave fibres behind.

With use, the inside face of the glass door may become coated with dust and deposits. To clean the glass, allow it to cool and then wipe with a damp cloth and polish with a dry one.

SERVICING

- Always use a qualified service engineer when service is required.
- An inspection of both firedoor and ashpit door seals should be made every heating season and replaced if necessary.

PRECAUTIONS

Non-Boiler Model

When not in use remove all the fuel and ashes from the firebox. Leave the ashpit door spinwheels at an open setting to allow a constant stream of air to pass through the stove.

Boiler Model

When not in use remove all the fuel and ashes from the firebox. Leave the thermostat knob at a high setting (No.8) to allow a constant stream of air to pass through the stove.

If the fire is not used when there is a danger of frost the whole system should be drained.

WARNING: NEVER LIGHT THE FIRE IF THE WATER SYSTEM IS FROZEN.

FIREGUARD

Use a fireguard in the presence of children, old and/or infirm people. The fireguard should be manufactured in accordance with BS. 6539.

Replace individual bottomgrate bars as and when they burn out to ensure efficient burning.

Replacement parts if required are available through your local stockist.

SPARE PARTS

Darby Stove Non-Boiler Model

Part No	Description	No. Req.
HS5B-D318	Front firebar	1
HS5B-D359	Bottomgrate (upper)	9
HS5B-D353	Bottomgrate (lower)	10
		} 1-Set
HS1M-91425	Ashpan	1
HS4M-37528	Firedoor Glass Panels	3
HS5M/D317/1	Throat Restrictor Plate Frame	1
HS5M/D316/1	Throat Restrictor Plate	1

Darby Stove Boiler Model

Part No	Description	No. Req.
HS5B-D357	Front firebar	1
HS5B-D359	Bottomgrate (upper)	9
HS5B-D353	Bottomgrate (lower)	10
		} 1-Set
HS1M-91425	Ashpan	1
HS4M-37528	Firedoor Glass Panels	3
HS4T-46660	Boiler Thermostat	1
HS4T-34028	Boiler Thermostat Knob	1

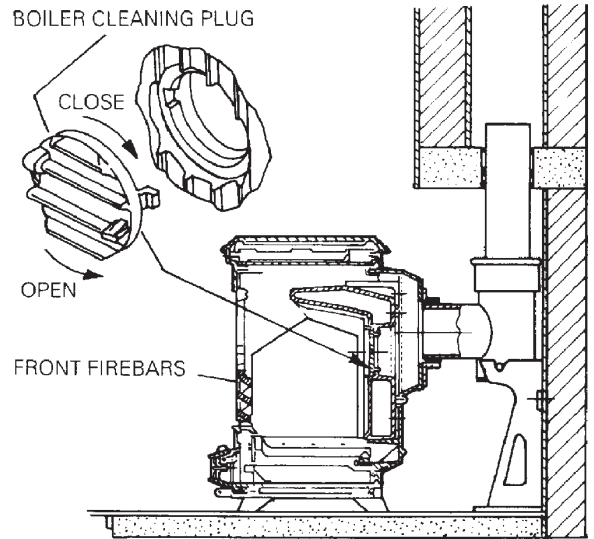


Fig.9

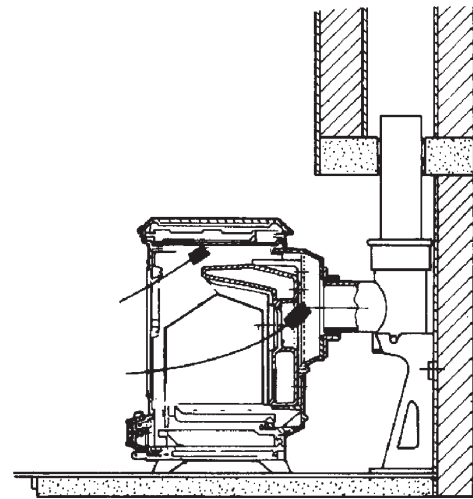


Fig.10

**For further advice or information contact
your local distributor/stockist**

With Aga-Rayburn's policy of continuous product improvement, the Company reserves the right to change specifications and make modifications to the appliance described and illustrated at any time



Manufactured By
Aga-Rayburn
Station Road
Ketley Telford
Shropshire TF1 5AQ
England

www.aga-rayburn.co.uk
www.agacookshop.co.uk
www.agalinks.com
www.cookcraft.com