

Edition 1



# TECHNICAL

- SPECIFICATIONS -

Putting warmth at the heart of the home

The Fireworks, Weycroft Avenue, Axminster, Devon EX13 5HU  
T +44 (0) 1297 35700 Find us on Facebook

[aradastoves.com](http://aradastoves.com)

SBTECH2017-18



# CONTENTS

Contemporary Living Collection	5
Timeless Classics Collection	17
Hardworking Heating Collection	23
Spares	28
Boiler Tapping Measurements	29
Guarantees	31
Contact Information	32

All Arada stoves are designed, built and tested in the UK to ensure full compliance with CE certification and UK building regulations. Stated outputs for boiler stoves are quoted using manufactured smokeless fuel. Stated outputs for other stoves are quoted using wood log fuel. Installation should be carried out by a suitably qualified member of a competent person scheme or signed off by local building control. Every effort has been made to ensure that the information contained in this brochure is accurate as of October 2017. Arada Ltd reserves the right, whilst preserving the essential characteristics of our product range, to introduce, at any time, modifications, changes of details or accessories.

E and OE.

This brochure is copyright 2017 and may not be reproduced in any part or form without prior written consent from Arada Ltd.

## KEY TO SYMBOLS



Suitable for Burning Wood



Lifetime Guarantee



Suitable for Burning Solid Fuel



7 Year Guarantee



DEFRA Exempt



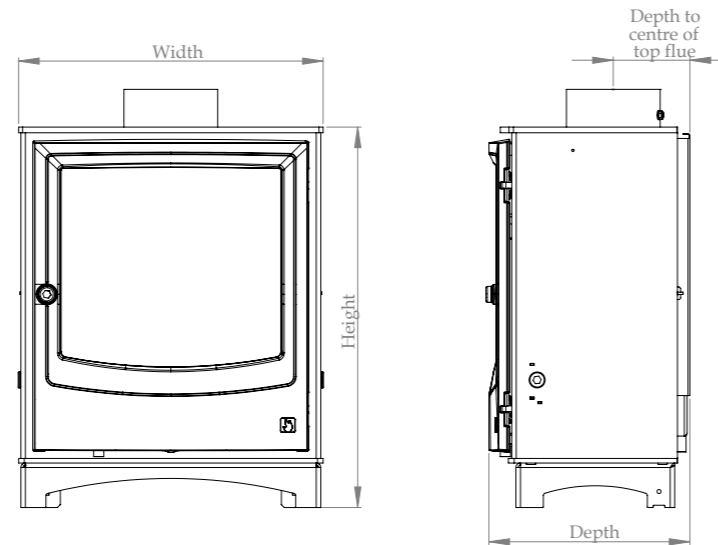
Colour options available

# FARRINGDON



## Farringdon Small Eco

Nominal output	4.9kW
Output range	1.5 - 7kW
Height	638mm
Width	495mm
Depth	356mm
Height to centre of rear flue	520mm
Depth from back to centre of top flue	112mm
Flue outlet diameter	127mm
Max. log length	360mm
Min. distance to combustibles from rear	500mm
Min. distance to combustibles from sides	350mm
Suitable for 12mm hearth	Yes
Suitable for direct air	Yes
Under hearth temperature	43°C
Overall height if on log store	948mm
Overall height if on stand	768mm
Overall height if on pedestal	891mm



## Farringdon Medium Eco

Nominal output	8.2kW
Output range	1.5 - 10kW
Height	666mm
Width	533mm
Depth	352mm
Height to centre of rear flue	548mm
Depth from back to centre of top flue	112mm
Flue outlet diameter	127mm
Max. log length	430mm
Min. distance to combustibles from rear	580mm
Min. distance to combustibles from sides	500mm
Suitable for 12mm hearth	Yes
Suitable for direct air	Yes
Under hearth temperature	47°C
Overall height if on log store	996mm
Overall height if on stand	796mm
Overall height if on pedestal	939mm

## Farringdon Large Eco

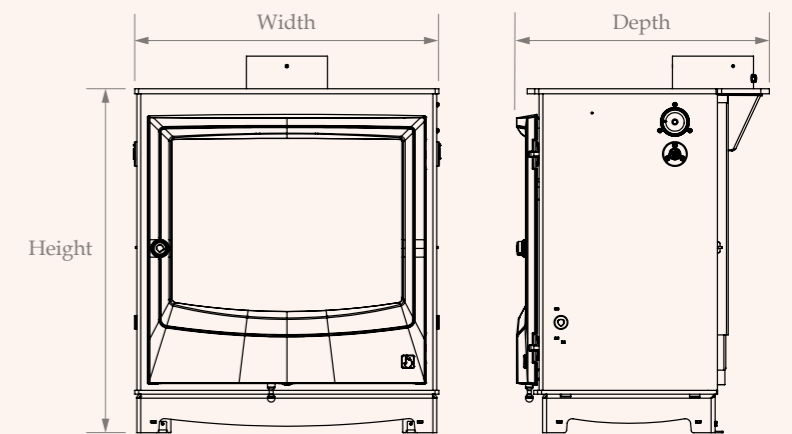
Nominal output	10.6kW
Output range	3 - 12kW
Height	666mm
Width	615mm
Depth	426mm
Height to centre of rear flue	548mm
Depth from back to centre of top flue	112mm
Flue outlet diameter	127mm
Max. log length	500mm
Min. distance to combustibles from rear	600mm
Min. distance to combustibles from sides	500mm
Suitable for 12mm hearth	Yes
Suitable for direct air	Yes
Under hearth temperature	64°C
Overall height if on log store	996mm
Overall height if on stand	796mm
Overall height if on pedestal	959mm



## Farringdon Catalyst Eco



Nominal output	11.4kW
Output range	3 - 16kW
Height	696mm
Width	615mm
Depth	510mm
Height to centre of rear flue	-
Depth from back to centre of top flue	114mm
Flue outlet diameter	152mm
Max. log length	500mm
Min. distance to combustibles from rear	400mm
Min. distance to combustibles from sides	450mm
Suitable for 12mm hearth	Yes
Suitable for direct air	Yes
Under hearth temperature	44°C
Overall height if on log store	1026mm
Overall height if on stand	826mm
Overall height if on pedestal	989mm



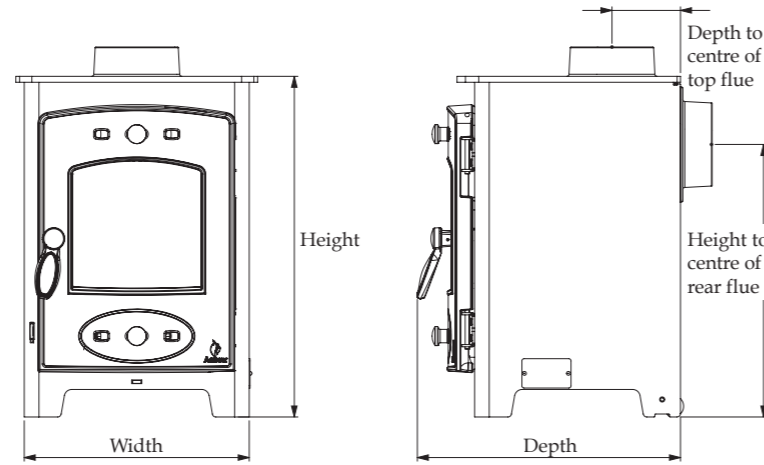
## Performance Data

Performance	Farringdon Small Eco	Farringdon Medium Eco	Farringdon Large Eco	Farringdon Catalyst Eco
<b>Wood Fuel</b>				
Total efficiency - %	77.8	76.1	77.0	82.4
Mean CO emission (@13% O2) - %	0.11	0.06	0.08	0.07
Mean OGC emission (@13% O2) - Nmg/m <sup>3</sup>	92	40	63	111
Mean NOx emission (@13% O2) - Nmg/m <sup>3</sup>	79	97	75	92
DIN+ particulates (@13% O2) - Nmg/m <sup>3</sup>	13	27	13	24
<b>Solid Fuel</b>				
Total efficiency - %	82.4	79.8	79.8	-
Mean CO emission (@13% O2) - %	0.06	0.03	0.04	-
Mean OGC emission (@13% O2) - Nmg/m <sup>3</sup>	5	3	6	-
Mean NOx emission (@13% O2) - Nmg/m <sup>3</sup>	79	128	66	-
DIN+ particulates (@13% O2) - Nmg/m <sup>3</sup>	5	7	8	-

# ACORN VIEW

## Acorn View 4

Nominal output	4.2kW
Output range	1 - 5.5kW
Height	465mm
Width	330mm
Depth	360mm
Height to centre of rear flue	372mm
Depth from back to centre of top flue	93.5mm
Flue outlet diameter	102mm
Max. log length	200mm
Min. distance to combustibles from rear	650mm
Min. distance to combustibles from sides	500mm
Under hearth temperature	51°C
Suitable for 12mm hearth	Yes
Suitable for direct air	No
Optional add-in boiler	AIB7
Output to water	1.2kW
Added height when on stand	200mm



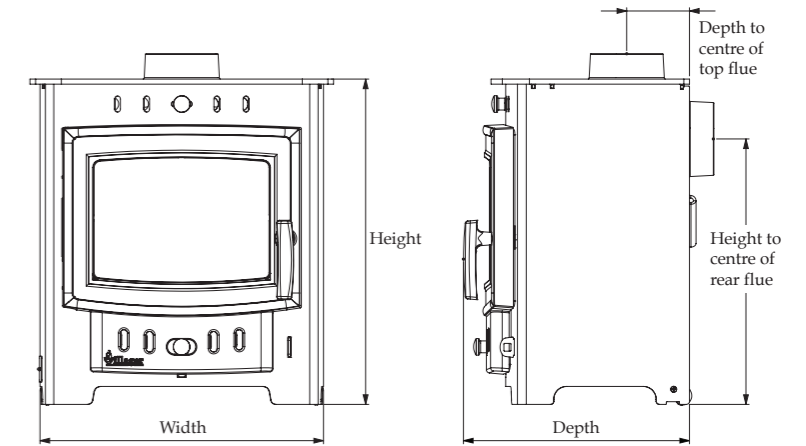
Performance	Acorn View 4
<b>Wood Fuel</b>	
Nett efficiency - %	84.1
Mean CO emission (@13% O2) - %	0.58

For boiler tapping measurements see page 29

# ESPRIT

## Esprit Solo 5

Nominal output	5kW
Output range	1 - 6.5kW
Height	508mm
Width	474mm
Depth	363mm
Height to centre of rear flue	414mm
Depth from back to centre of top flue	98mm
Flue outlet diameter	102mm
Max. log length	325mm
Min. distance to combustibles from rear	900mm
Min. distance to combustibles from sides	650mm
Under hearth temperature	66.7°C
Suitable for 12mm hearth	Yes
Suitable for direct air	No
Optional add-in boiler	AIBV018
Output to water	1.6kW
Height of add on low canopy	160mm
Height of add on high canopy	260mm
Added height when on stand	122mm
Added height when on logstore	278mm

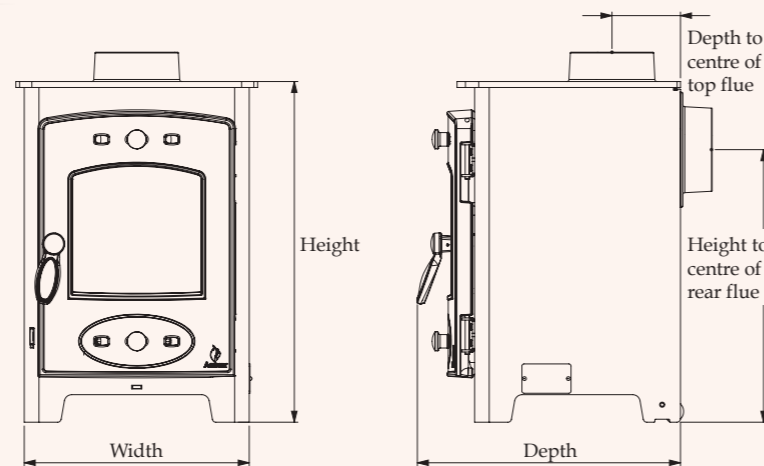


Performance	Esprit Solo 5
<b>Wood Fuel</b>	
Nett efficiency - %	76.6
Mean CO emission (@13% O2) - %	0.33

For boiler tapping measurements see page 29

## Acorn View 5

Nominal output	4.9kW
Output range	1 - 6.5kW
Height	485mm
Width	370mm
Depth	360mm
Height to centre of rear flue	392mm
Depth from back to centre of top flue	93.5mm
Flue outlet diameter	102mm
Max. log length	200mm
Min. distance to combustibles from rear	675mm
Min. distance to combustibles from sides	500mm
Under hearth temperature	76°C
Suitable for 12mm hearth	Yes
Suitable for direct air	No
Optional add-in boiler	AIB0
Output to water	1.8kW
Added height when on stand	200mm

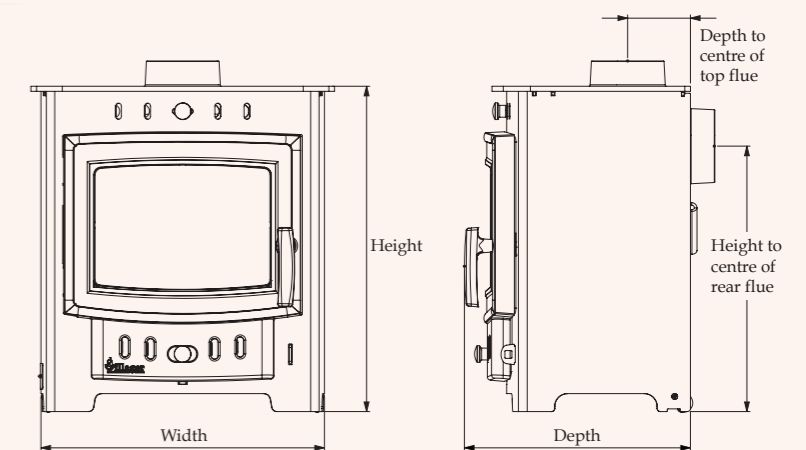


Performance	Acorn View 5
<b>Wood Fuel</b>	
Nett efficiency - %	80.9
Mean CO emission (@13% O2) - %	0.58

For boiler tapping measurements see page 29

## Esprit Solo 8

Nominal output	8.4kW
Output range	1.5 - 10kW
Height	560mm
Width	600mm
Depth	355mm
Height to centre of rear flue	449mm
Depth from back to centre of top flue	110mm
Flue outlet diameter	127mm
Max. log length	450mm
Min. distance to combustibles from rear	850mm
Min. distance to combustibles from sides	700mm
Under hearth temperature	91.8°C
Suitable for 12mm hearth	Yes
Suitable for direct air	No
Optional add-in boiler	AIBV016
Output to water	2.9kW
Height of add on low canopy	200mm
Height of add on high canopy	300mm
Added height when on stand	122mm
Added height when on logstore	278mm



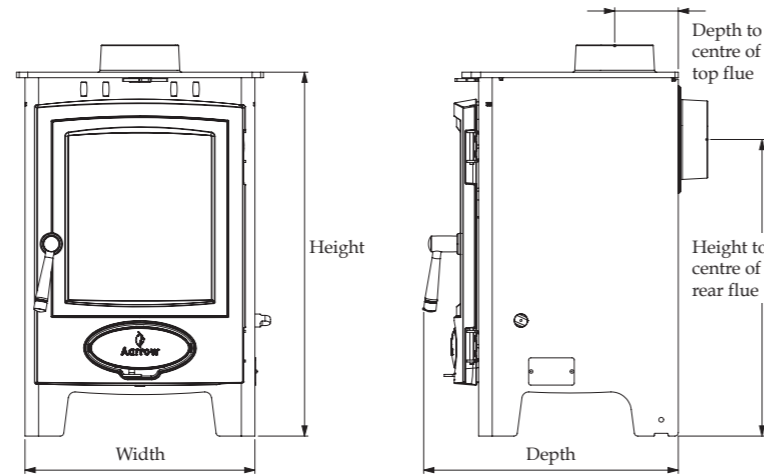
Performance	Esprit Solo 8
<b>Wood Fuel</b>	
Nett efficiency - %	80.4
Mean CO emission (@13% O2) - %	0.33

For boiler tapping measurements see page 29

# ECOBURN PLUS

## Ecoburn Plus 4

Nominal output	4.5kW
Output range	1 - 5.5kW
Height	535mm
Width	355mm
Depth	365mm
Height to centre of rear flue	436mm
Depth from back to centre of top flue	94mm
Flue outlet diameter	102mm
Max. log length	240mm
Min. distance to combustibles from rear	700mm
Min. distance to combustibles from sides	500mm
Under hearth temperature	59.1°C
Suitable for 12mm hearth	Yes
Suitable for direct air	No
Optional add-in boiler	AIB0
Output to water	1.8kW
Added height when on stand	136mm
Added height when on log store	336mm



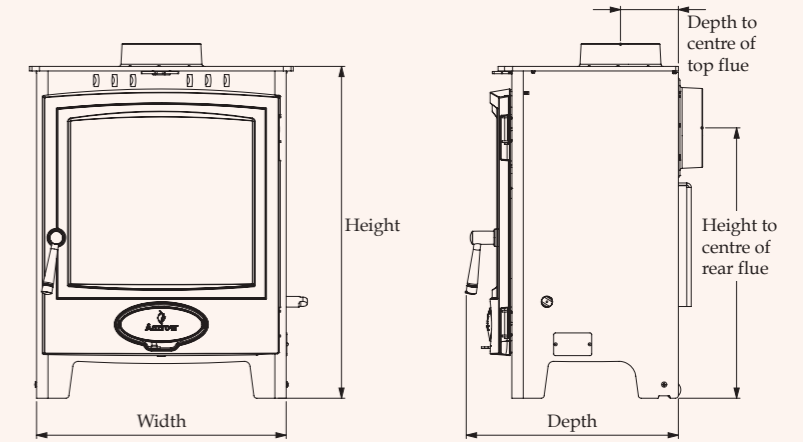
Performance	Ecoburn Plus 4
<b>Wood Fuel</b>	
Nett efficiency - %	86.3
Mean CO emission (@13% O2) - %	0.39

For boiler tapping measurements see page 29



## Ecoburn Plus 7

Nominal output	6.1kW
Output range	1.5 - 9kW
Height	585mm
Width	465mm
Depth	365mm
Height to centre of rear flue	477mm
Depth from back to centre of top flue	102mm
Flue outlet diameter	127mm
Max. log length	350mm
Min. distance to combustibles from rear	650mm
Min. distance to combustibles from sides	450mm
Under hearth temperature	45°C
Suitable for 12mm hearth	Yes
Suitable for direct air	No
Optional add-in boiler	AIB8
Output to water	2kW
Added height when on stand	136mm
Added height when on log store	336mm



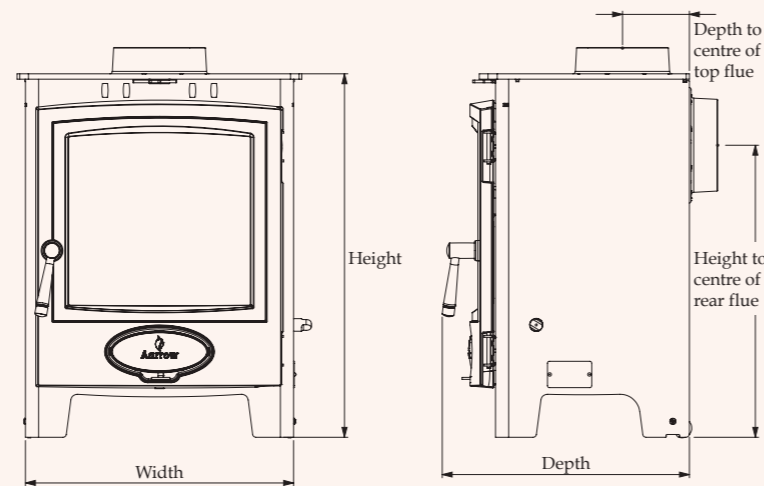
Performance	Ecoburn Plus 7
<b>Wood Fuel</b>	
Nett efficiency - %	72.1
Mean CO emission (@13% O2) - %	0.58

For boiler tapping measurements see page 29



## Ecoburn Plus 5

Nominal output	4.9kW
Output range	1 - 4.9kW
Height	550mm
Width	431mm
Depth	365mm
Height to centre of rear flue	431mm
Depth from back to centre of top flue	102mm
Flue outlet diameter	127mm
Max. log length	300mm
Min. distance to combustibles from rear	675mm
Min. distance to combustibles from sides	500mm
Under hearth temperature	61.2°C
Suitable for 12mm hearth	Yes
Suitable for direct air	No
Optional add-in boiler	AIB8
Output to water	2kW
Added height when on stand	136mm
Added height when on log store	386mm



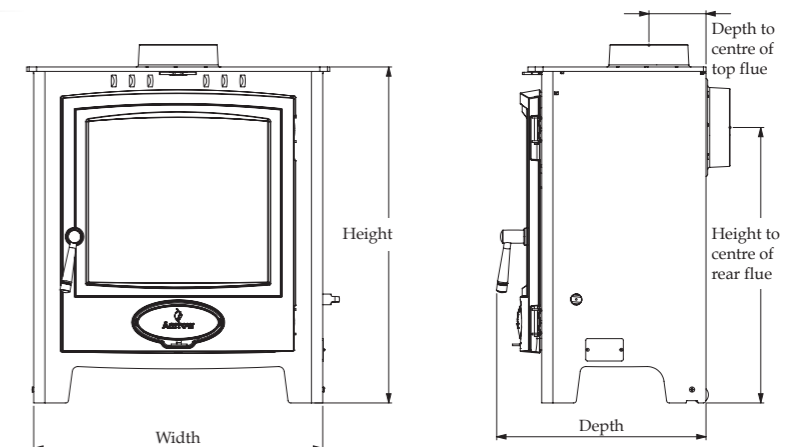
Performance	Ecoburn Plus 5
<b>Wood Fuel</b>	
Nett efficiency - %	80.3
Mean CO emission (@13% O2) - %	0.58

For boiler tapping measurements see page 29



## Ecoburn Plus 9

Nominal output	8.8kW
Output range	2 - 8.8kW
Height	600mm
Width	541mm
Depth	365mm
Height to centre of rear flue	492mm
Depth from back to centre of top flue	102mm
Flue outlet diameter	127mm
Max. log length	380mm
Min. distance to combustibles from rear	750mm
Min. distance to combustibles from sides	500mm
Under hearth temperature	63.6°C
Suitable for 12mm hearth	Yes
Suitable for direct air	No
Optional add-in boiler	AIB3
Output to water	3.3kW



Performance	Ecoburn Plus 9
<b>Wood Fuel</b>	
Nett efficiency - %	71.6
Mean CO emission (@13% O2) - %	0.68

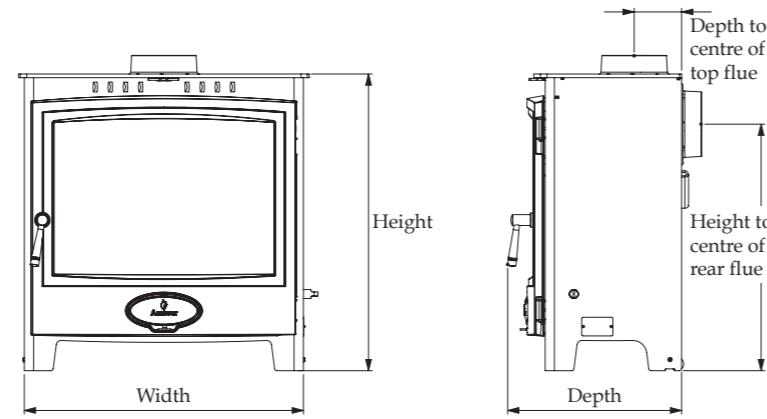
For boiler tapping measurements see page 29



# ECOBURN PLUS

## Ecoburn Plus 11

Nominal output	11kW
Output range	2.5 - 14kW
Height	638mm
Width	625mm
Depth	381mm
Height to centre of rear flue	529mm
Depth from back to centre of top flue	121mm
Flue outlet diameter	127mm
Max. log length	500mm
Min. distance to combustibles from rear	800mm
Min. distance to combustibles from sides	500mm
Under hearth temperature	67.5°C
Suitable for 12mm hearth	Yes
Suitable for direct air	No
Optional add-in boiler	AIB5
Output to water	4.2kW
Added height when on stand	136mm
Added height when on log store	336mm



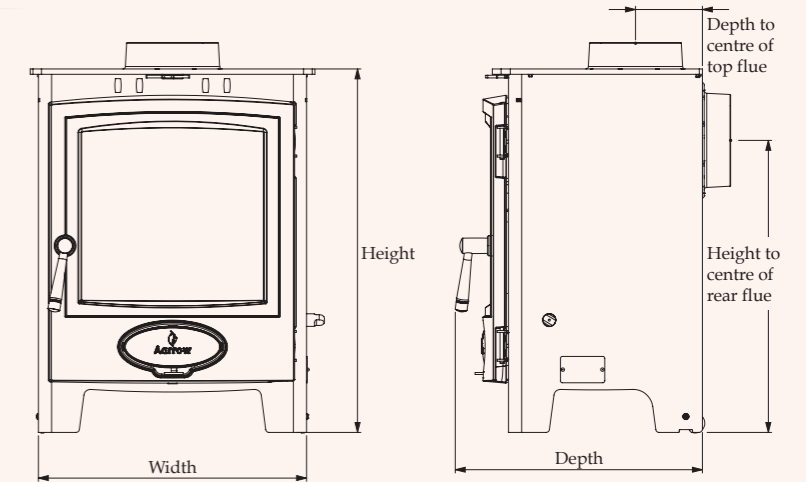
Performance	Ecoburn Plus 11
<b>Wood Fuel</b>	
Nett efficiency - %	74.7
Mean CO emission (@13% O2) - %	0.71

For boiler tapping measurements see page 29



## Ecoburn Plus 5 DEFRA

Nominal output	5kW
Output range	1 - 5kW
Height	550mm
Width	431mm
Depth	386mm
Height to centre of rear flue	442mm
Depth from back to centre of top flue	102mm
Flue outlet diameter	127mm
Max. log length	300mm
Min. distance to combustibles from rear	475mm
Min. distance to combustibles from sides	400mm
Under hearth temperature	59.8°C
Suitable for 12mm hearth	Yes
Suitable for direct air	No
Added height when on stand	136mm
Added height when on log store	336mm

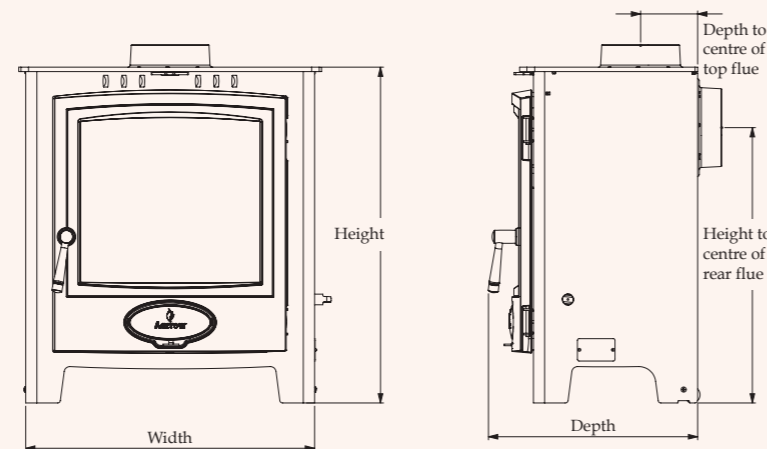


Performance	Ecoburn Plus 5 DEFRA
<b>Wood Fuel</b>	
Nett efficiency - %	78.7
Mean CO emission (@13% O2) - %	0.24



## Ecoburn Plus 5 Widescreen

Nominal output	4.99kW
Output range	1.5 - 9kW
Height	600mm
Width	541mm
Depth	365mm
Height to centre of rear flue	484mm
Depth from back to centre of top flue	108mm
Flue outlet diameter	127mm
Max. log length	380mm
Min. distance to combustibles from rear	300mm
Min. distance to combustibles from sides	300mm
Under hearth temperature	62.9°C
Suitable for 12mm hearth	Yes
Suitable for direct air	No

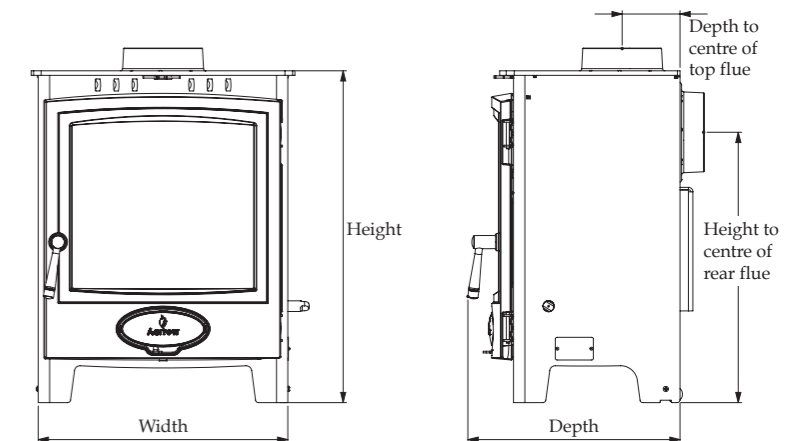


Performance	Ecoburn Plus 5 Widescreen
<b>Wood Fuel</b>	
Nett efficiency - %	79.3
Mean CO emission (@13% O2) - %	0.21



## Ecoburn Plus 7 DEFRA

Nominal output	7kW
Output range	1.5 - 7kW
Height	585mm
Width	465mm
Depth	386mm
Height to centre of rear flue	477mm
Depth from back to centre of top flue	102mm
Flue outlet diameter	127mm
Max. log length	350mm
Min. distance to combustibles from rear	550mm
Min. distance to combustibles from sides	450mm
Under hearth temperature	71.8°C
Suitable for 12mm hearth	Yes
Suitable for direct air	No
Added height when on stand	136mm
Added height when on log store	336mm



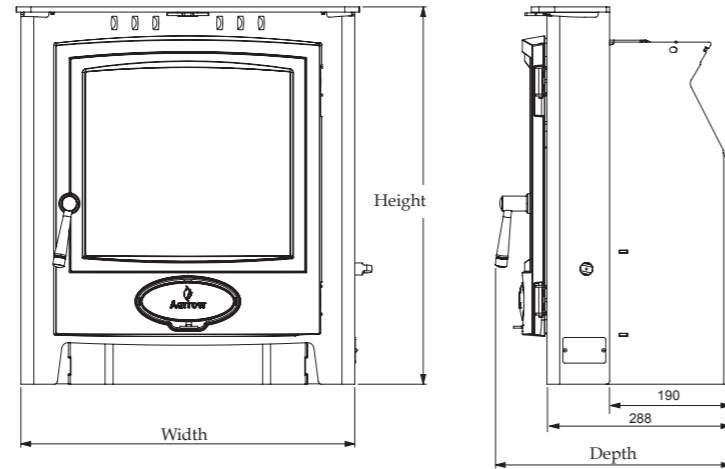
Performance	Ecoburn Plus 7 DEFRA
<b>Wood Fuel</b>	
Nett efficiency - %	78.8
Mean CO emission (@13% O2) - %	0.58



# ECOBURN PLUS INSET

## Ecoburn Plus 5 Inset

Nominal output	4.8kW
Output range	1 - 6kW
Height	590mm
Width	536mm
Depth	362mm
Depth of front fascia	172mm
Width in fireplace	375mm
Height in fireplace	535mm
Depth into fireplace	190mm
Flue outlet diameter	127mm
Flue outlet	Letterbox style
Max. log length	200mm
Min. distance to combustibles from top	300mm
Min. distance to combustibles from sides	200mm
Under hearth temperature	127°C
Suitable for 12mm hearth	No
Suitable for direct air	No



Performance	Ecoburn Plus 5 Inset
<b>Wood Fuel</b>	
Nett efficiency - %	80.1
Mean CO emission (@13% O2) - %	0.5



# i400 / i600 FREESTANDING

## i400 Freestanding Range

### i400 Freestanding Tall

Nominal output	4.9kW
Output range	2 - 8kW
Height	984mm
Width	448mm
Depth	425mm
Depth of back to centre of top flue	91mm
Flue outlet diameter	127mm
Max. log length	255mm
Min. distance to combustibles from rear	220mm
Min. distance to combustibles from sides	220mm
Suitable for 12mm hearth	Yes
Suitable for direct air	Yes

### i400 Freestanding Mid

Height: 789mm

### i400 Freestanding Low

Height: 589mm

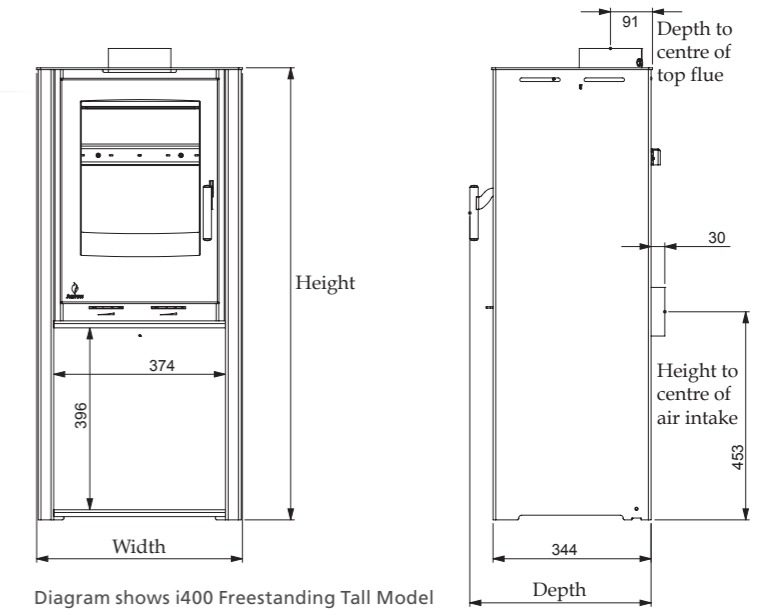
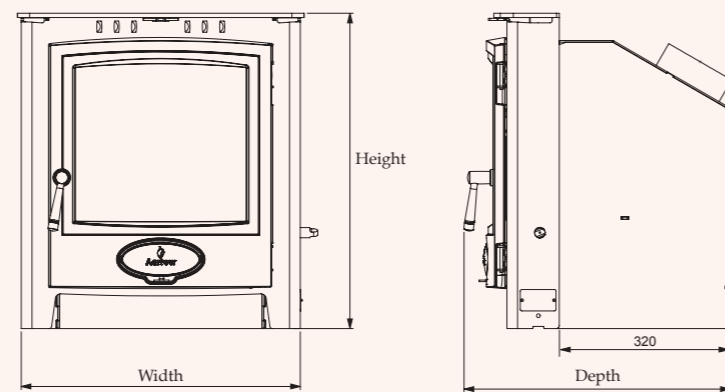


Diagram shows i400 Freestanding Tall Model

Performance	i400 Freestanding
<b>Wood Fuel</b>	
Nett efficiency - %	77.1
Mean CO emission (@13% O2) - %	0.19

## Ecoburn Plus 7 Inset

Nominal output	7.1kW
Output range	2 - 9kW
Height	590mm
Width	536mm
Depth	492mm
Depth of front fascia	172mm
Width in fireplace	392mm
Height in fireplace	540mm
Depth into fireplace	320mm
Flue outlet diameter	127mm
Flue outlet	30 degree sloping flue
Max. log length	254mm
Min. distance to combustibles from top	250mm
Min. distance to combustibles from sides	250mm
Under hearth temperature	127°C
Suitable for 12mm hearth	No
Suitable for direct air	No



Performance	Ecoburn Plus 7 Inset
<b>Wood Fuel</b>	
Nett efficiency - %	72.1
Mean CO emission (@13% O2) - %	0.58



## i600 Slimline Freestanding Range

### i600 Slimline Freestanding Low

Nominal output	4.9kW
Output range	2 - 8kW
Height	585mm
Width	659mm
Depth	372mm
Depth of back to centre of top flue	102mm
Height to centre of air inlet	70mm
Flue outlet diameter	127mm
Max. log length	480mm
Min. distance to combustibles from rear	350mm
Min. distance to combustibles from sides	150mm
Suitable for 12mm hearth	Yes
Suitable for direct air	Yes

### i600 Slimline Freestanding Mid

Height: 790mm

Height to centre of air inlet: 70mm

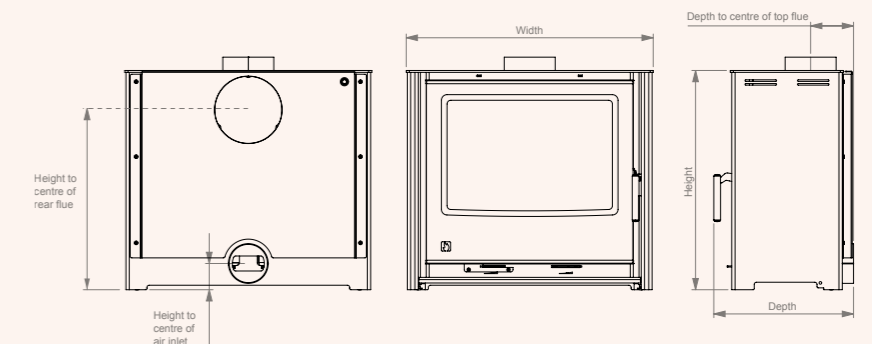


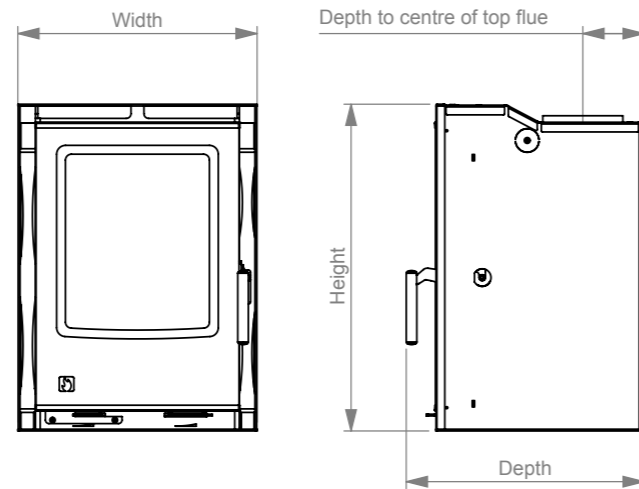
Diagram shows i600 Slimline Freestanding Low Model

Performance	i600 Freestanding
<b>Wood Fuel</b>	
Nett efficiency - %	75.9
Mean CO emission (@13% O2) - %	0.28

# i SERIES CASSETTE

## i400

Nominal output	4.9kW
Output range	2 - 8kW
Height	558mm
Width	405mm
Depth	407mm
Width in fireplace	405mm
Height in fireplace	558mm
Depth into fireplace	351mm
Depth of back to centre of top flue	100mm
Depth to centre of under body air inlet	91mm
Flue outlet diameter	127mm
Flue outlet	Vertical Spigot
Max. log length	255mm
Min. distance to combustibles from top	250mm
Min. distance to combustibles from sides	220mm
Under hearth temperature	119.1°C
Suitable for 12mm hearth	No
Suitable for direct air	Yes

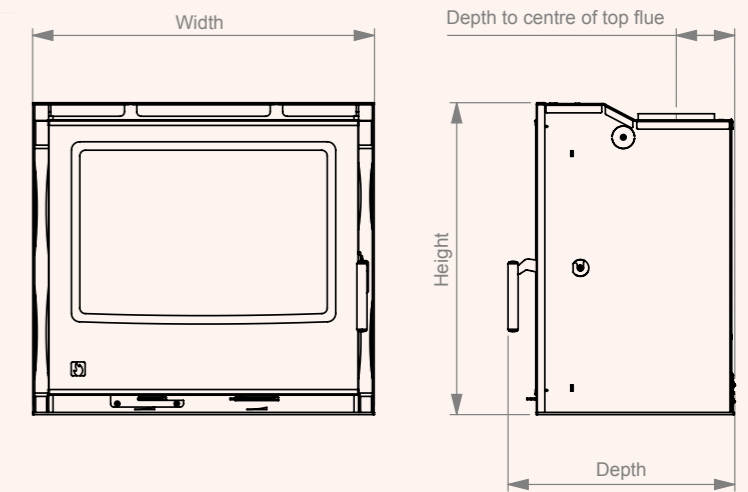


Performance	i400
<b>Wood Fuel</b>	
Nett efficiency - %	77.1
Mean CO emission (@13% O2) - %	0.19



## i600

Nominal output	7.5kW
Output range	2 - 11kW
Height	558mm
Width	609mm
Depth	407mm
Width in fireplace	608mm
Height in fireplace	558mm
Depth into fireplace	351mm
Depth of back to centre of top flue	100mm
Depth to centre of under body air inlet	91mm
Flue outlet diameter	127mm
Flue outlet	Vertical Spigot
Max. log length	480mm
Min. distance to combustibles from top	600mm
Min. distance to combustibles from sides	150mm
Under hearth temperature	119.1°C
Suitable for 12mm hearth	No
Suitable for direct air	Yes

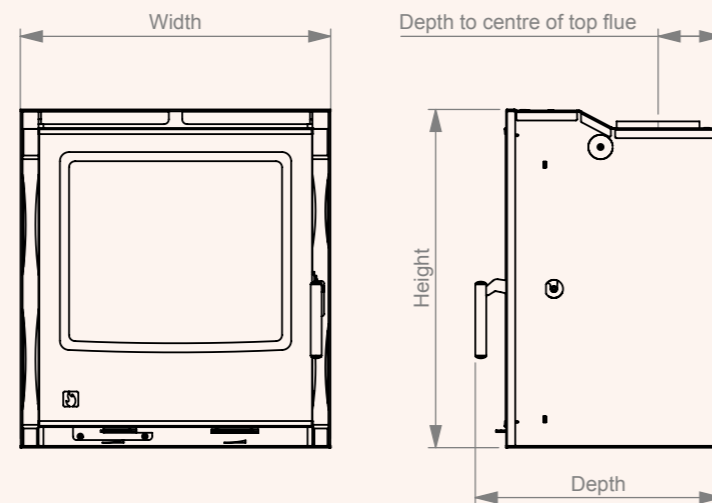


Performance	i600
<b>Wood Fuel</b>	
Nett efficiency - %	74.4
Mean CO emission (@13% O2) - %	0.27



## i500

Nominal output	6.4kW
Output range	2 - 9kW
Height	558mm
Width	508mm
Depth	407mm
Width in fireplace	508mm
Height in fireplace	556mm
Depth into fireplace	351mm
Depth of back to centre of top flue	100mm
Depth to centre of under body air inlet	91mm
Flue outlet diameter	127mm
Flue outlet	Vertical Spigot
Max. log length	350mm
Min. distance to combustibles from top	550mm
Min. distance to combustibles from sides	150mm
Under hearth temperature	77.8°C
Suitable for 12mm hearth	No
Suitable for direct air	Yes

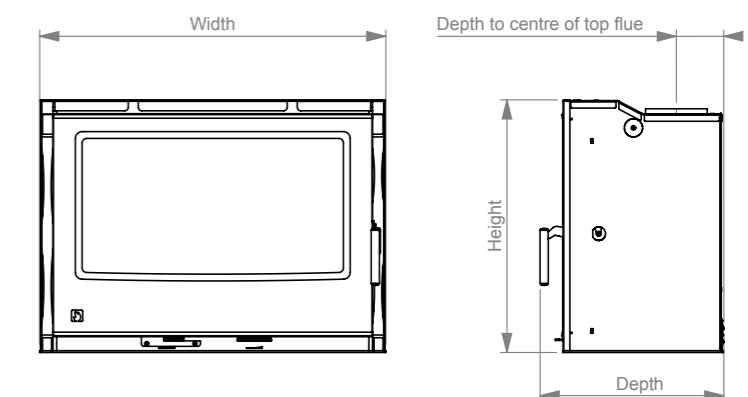


Performance	i500
<b>Wood Fuel</b>	
Nett efficiency - %	74.4
Mean CO emission (@13% O2) - %	0.14



## i750

Nominal output	8.9kW
Output range	2 - 8kW
Height	558mm
Width	762mm
Depth	407mm
Width in fireplace	762mm
Height in fireplace	558mm
Depth into fireplace	351mm
Depth of back to centre of top flue	100mm
Depth to centre of under body air inlet	91mm
Flue outlet diameter	127mm
Flue outlet	Vertical Spigot
Max. log length	600mm
Min. distance to combustibles from top	600mm
Min. distance to combustibles from sides	150mm
Under hearth temperature	119.1°C
Suitable for 12mm hearth	No
Suitable for direct air	Yes



Performance	i750
<b>Wood Fuel</b>	
Nett efficiency - %	78.7
Mean CO emission (@13% O2) - %	0.27

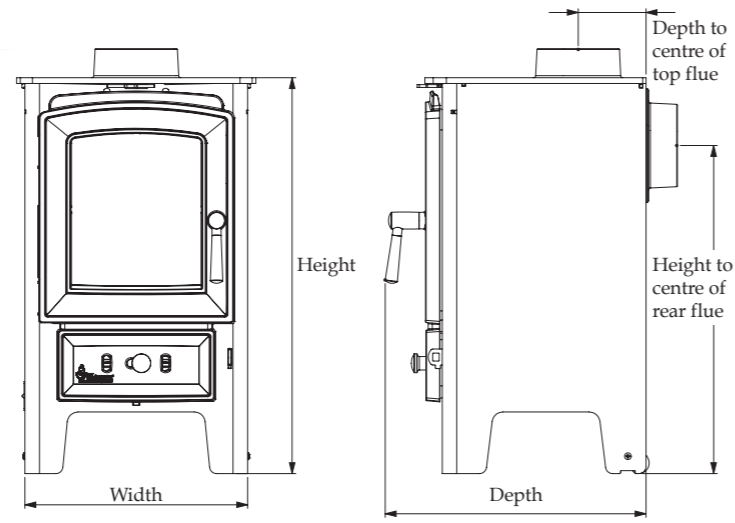




# PUFFIN & HERON

## Puffin

Nominal output	4.2kW
Output range	1 - 5kW
Height	546mm
Width	330mm
Depth	355mm
Height to centre of rear flue	453mm
Depth of back to centre of top flue	94mm
Flue outlet diameter	102mm
Max. log length	225mm
Min. distance to combustibles from rear	650mm
Min. distance to combustibles from sides	500mm
Under hearth temperature	51°C
Suitable for 12mm hearth	Yes
Suitable for direct air	No
Add in Boiler	AIB0
Output to water	1.8kW
Added height when on stand	200mm



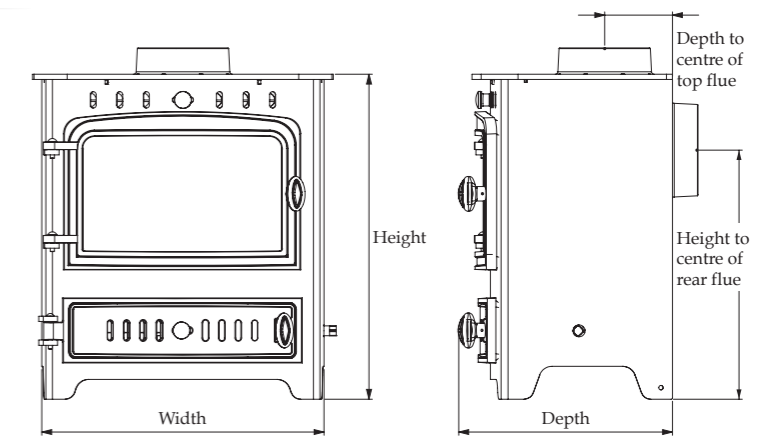
Performance	Puffin
<b>Wood Fuel</b>	
Nett efficiency - %	84.1
Mean CO emission (@13% O2) - %	0.58

For boiler tapping measurements see page 29

# CHELSEA SOLO & DUO

## Chelsea Solo

Nominal output	5kW
Output range	1 - 6.5kW
Height	495mm
Width	457mm
Depth	334mm
Height to centre of rear flue	375mm
Depth of back to centre of top flue	102mm
Flue outlet diameter	127mm
Max. log length	300mm
Min. distance to combustibles from rear	700mm
Min. distance to combustibles from sides	500mm
Under hearth temperature	59.8°C
Suitable for 12mm hearth	Yes
Suitable for direct air	No
Add in Boiler	AIBV007
Output to water	1.8kW
Height of add on low canopy	143.5mm
Height of add on high canopy	236mm
Added height when on stand	200mm

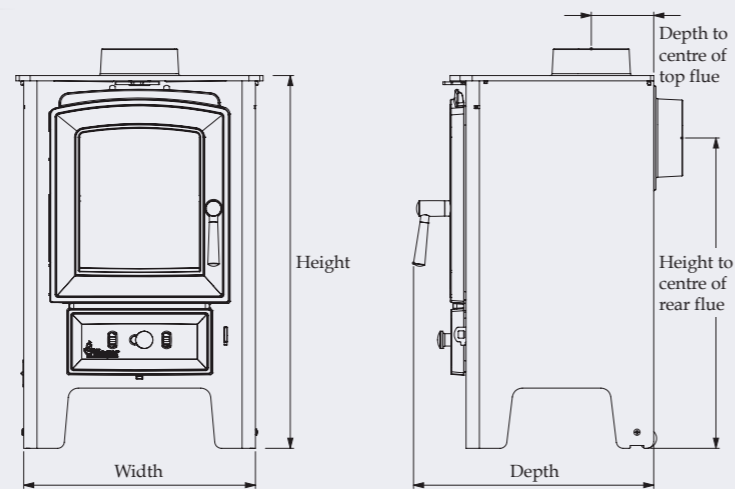


Performance	Chelsea Solo
<b>Wood Fuel</b>	
Nett efficiency - %	71.7
Mean CO emission (@13% O2) - %	0.35

For boiler tapping measurements see page 29

## Heron

Nominal output	5kW
Output range	1 - 6kW
Height	558mm
Width	370mm
Depth	355mm
Height to centre of rear flue	465mm
Depth of back to centre of top flue	74mm
Flue outlet diameter	102mm
Max. log length	225mm
Min. distance to combustibles from rear	650mm
Min. distance to combustibles from sides	500mm
Under hearth temperature	76°C
Suitable for 12mm hearth	Yes
Suitable for direct air	No
Add in Boiler	AIB0
Output to water	1.8kW
Added height when on stand	200mm

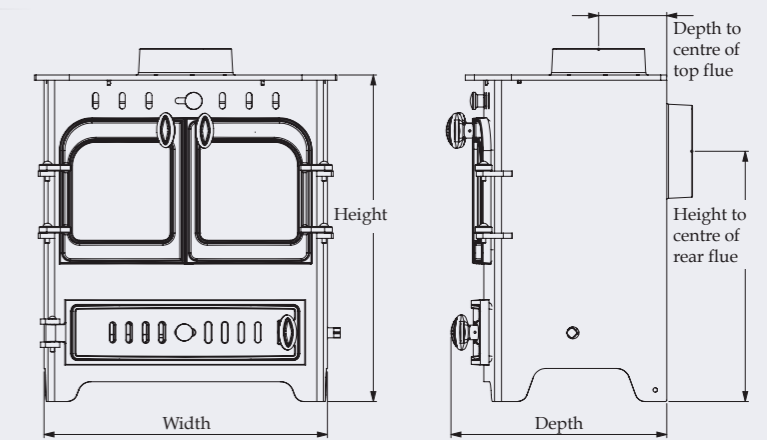


Performance	Heron
<b>Wood Fuel</b>	
Nett efficiency - %	80.9
Mean CO emission (@13% O2) - %	0.58

For boiler tapping measurements see page 29

## Chelsea Duo

Nominal output	5kW
Output range	1 - 6.5kW
Height	495mm
Width	457mm
Depth	334mm
Height to centre of rear flue	375mm
Depth of back to centre of top flue	102mm
Flue outlet diameter	127mm
Max. log length	300mm
Min. distance to combustibles from rear	700mm
Min. distance to combustibles from sides	500mm
Under hearth temperature	59.8°C
Suitable for 12mm hearth	Yes
Suitable for direct air	No
Add in Boiler	AIBV007
Output to water	1.8kW
Height of add on low canopy	143.5mm
Height of add on high canopy	236mm
Added height when on stand	200mm



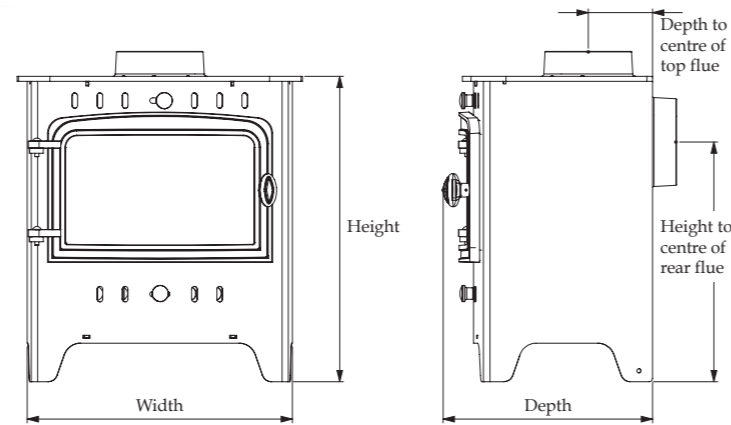
Performance	Chelsea Duo
<b>Wood Fuel</b>	
Nett efficiency - %	71.7
Mean CO emission (@13% O2) - %	0.35

For boiler tapping measurements see page 29

# C FLAT WOOD SOLO & DUO

## C Flat Wood Solo

Nominal output	5kW
Output range	1 - 6.5kW
Height	495mm
Width	457mm
Depth	334mm
Height to centre of rear flue	395mm
Depth of back to centre of top flue	102mm
Flue outlet diameter	127mm
Max. log length	325mm
Min. distance to combustibles from rear	800mm
Min. distance to combustibles from sides	750mm
Under hearth temperature	51.5°C
Suitable for 12mm hearth	Yes
Suitable for direct air	No
Add in Boiler	AIBV007
Output to water	3.4kW
Height of add on low canopy	143.5mm
Height of add on high canopy	236mm
Added height when on stand	200mm



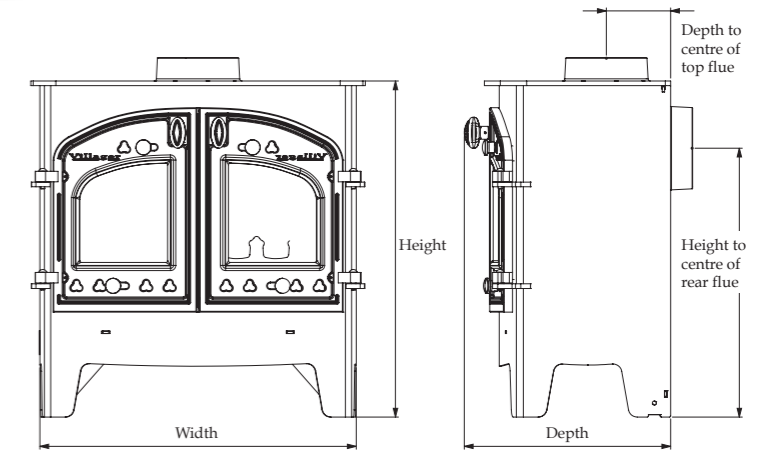
Performance	C Flat Wood Solo
<b>Wood Fuel</b>	
Nett efficiency - %	79
Mean CO emission (@13% O2) - %	0.49

 For boiler tapping measurements see page 29

# FLATMATE & A FLAT WOOD

## Flatmate

Nominal output	8.3kW
Output range	2 - 11kW
Height	575mm
Width	573mm
Depth	353mm
Height to centre of rear flue	460mm
Depth of back to centre of top flue	110mm
Flue outlet diameter	127mm
Max. log length	400mm
Min. distance to combustibles from rear	800mm
Min. distance to combustibles from sides	600mm
Under hearth temperature	79.9°C
Suitable for 12mm hearth	Yes
Suitable for direct air	No
Add in Boiler	AIBV009
Output to water	4.6kW
Height of add on low canopy	180mm
Height of add on high canopy	260mm
Added height when on stand	200mm

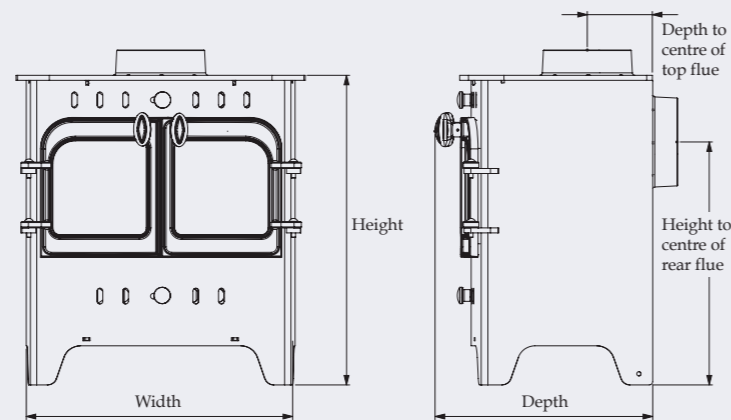


Performance	Flatmate
<b>Wood Fuel</b>	
Nett efficiency - %	78.4
Mean CO emission (@13% O2) - %	0.42

 For boiler tapping measurements see page 29

## C Flat Wood Duo

Nominal output	5kW
Output range	1 - 6.5kW
Height	495mm
Width	457mm
Depth	334mm
Height to centre of rear flue	395mm
Depth of back to centre of top flue	102mm
Flue outlet diameter	127mm
Max. log length	325mm
Min. distance to combustibles from rear	800mm
Min. distance to combustibles from sides	750mm
Under hearth temperature	51.5°C
Suitable for 12mm hearth	Yes
Suitable for direct air	No
Add in Boiler	AIBV007
Output to water	3.4kW
Height of add on low canopy	143.5mm
Height of add on high canopy	236mm
Added height when on stand	200mm

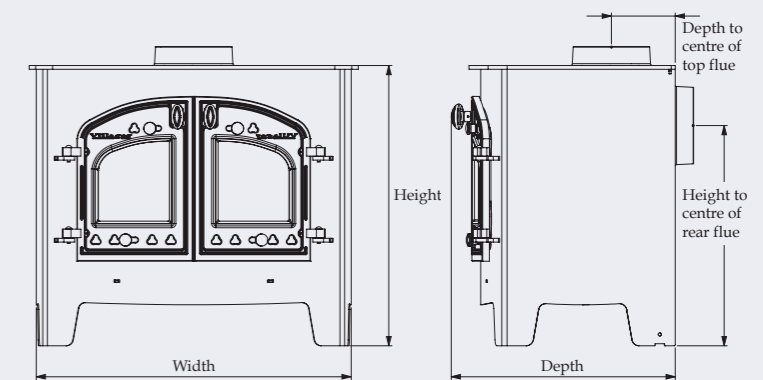


Performance	C Flat Wood Duo
<b>Wood Fuel</b>	
Nett efficiency - %	79
Mean CO emission (@13% O2) - %	0.49

 For boiler tapping measurements see page 29

## A Flat Wood

Nominal output	14.4kW
Output range	2.5 - 16kW
Height	595mm
Width	699mm
Depth	475mm
Height to centre of rear flue	468mm
Depth of back to centre of top flue	135mm
Flue outlet diameter	152mm
Max. log length	450mm
Min. distance to combustibles from rear	1000mm
Min. distance to combustibles from sides	1000mm
Under hearth temperature	120°C
Suitable for 12mm hearth	No
Suitable for direct air	No
Add in Boiler	AIBV001
Output to water	4.7kW
Height of add on low canopy	209mm
Height of add on high canopy	339mm
Added height when on stand	200mm



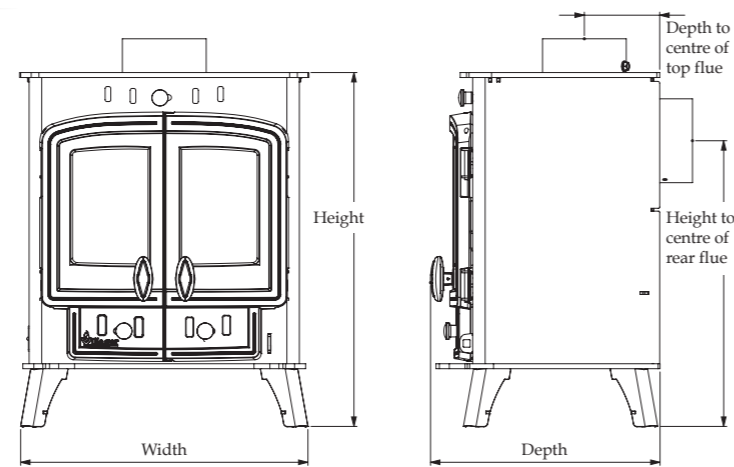
Performance	A Flat Wood
<b>Wood Fuel</b>	
Nett efficiency - %	75
Mean CO emission (@13% O2) - %	0.79

 For boiler tapping measurements see page 29

# DUO

## Duo 5

Nominal output	5kW
Output range	1 - 6kW
Height	566mm
Width	463mm
Depth	367mm
Height to centre of rear flue	458mm
Depth of back to centre of top flue	120mm
Flue outlet diameter	127mm
Max. log length	325mm
Min. distance to combustibles from rear	975mm
Min. distance to combustibles from sides	750mm
Under hearth temperature	61.6°C
Suitable for 12mm hearth	Yes
Suitable for direct air	No
Add in Boiler	AIB11
Output to water	1.7kW



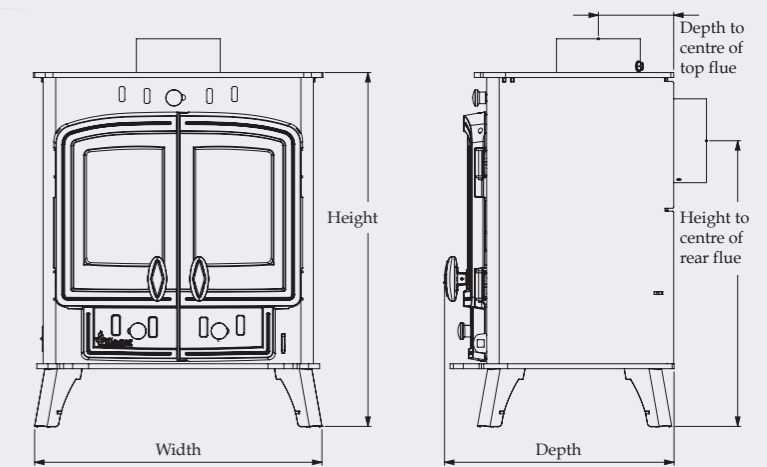
Performance	Duo 5
<b>Wood Fuel</b>	
Nett efficiency - %	83.7
Mean CO emission (@13% O2) - %	0.28

For boiler tapping measurements see page 29



## Duo 12

Nominal output	11.7kW
Output range	2.5 - 14kW
Height	650mm
Width	606mm
Depth	419mm
Height to centre of rear flue	542mm
Depth of back to centre of top flue	120mm
Flue outlet diameter	127mm
Max. log length	450mm
Min. distance to combustibles from rear	1100mm
Min. distance to combustibles from sides	800mm
Under hearth temperature	73.7°C
Suitable for 12mm hearth	Yes
Suitable for direct air	No
Add in Boiler	AIB13
Output to water	3kW



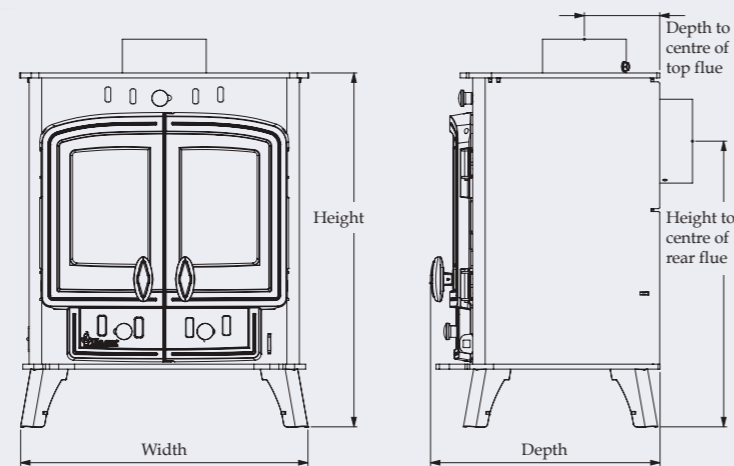
Performance	Duo 12
<b>Wood Fuel</b>	
Nett efficiency - %	73.2
Mean CO emission (@13% O2) - %	0.41

For boiler tapping measurements see page 29



## Duo 8

Nominal output	8kW
Output range	2 - 11kW
Height	566mm
Width	467mm
Depth	416mm
Height to centre of rear flue	458mm
Depth of back to centre of top flue	120mm
Flue outlet diameter	127mm
Max. log length	350mm
Min. distance to combustibles from rear	1000mm
Min. distance to combustibles from sides	800mm
Under hearth temperature	79.7°C
Suitable for 12mm hearth	Yes
Suitable for direct air	No
Add in Boiler	AIB11
Output to water	1.7kW



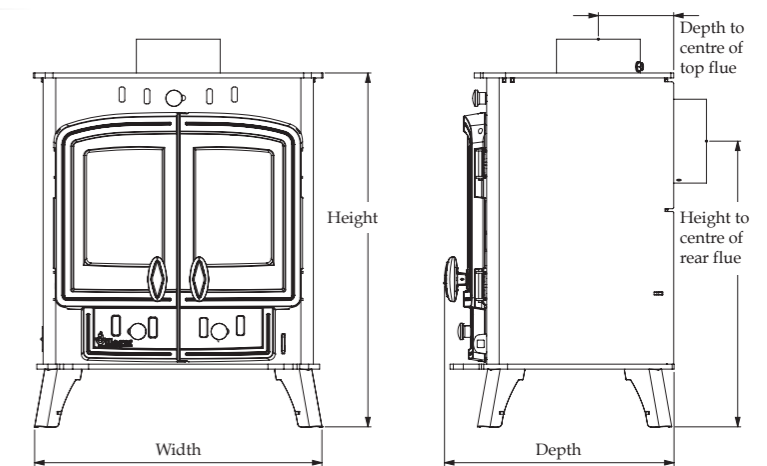
Performance	Duo 8
<b>Wood Fuel</b>	
Nett efficiency - %	83.1
Mean CO emission (@13% O2) - %	0.49

For boiler tapping measurements see page 29



## Duo 14

Nominal output	14.4kW
Output range	2.5 - 16kW
Height	685mm
Width	682mm
Depth	489mm
Height to centre of rear flue	562mm
Depth of back to centre of top flue	135mm
Flue outlet diameter	152mm
Max. log length	450mm
Min. distance to combustibles from rear	1250mm
Min. distance to combustibles from sides	800mm
Under hearth temperature	91.9°C
Suitable for 12mm hearth	Yes
Suitable for direct air	No
Add in Boiler	AIBV017
Output to water	3.4kW



Performance	Duo 14
<b>Wood Fuel</b>	
Nett efficiency - %	73.9
Mean CO emission (@13% O2) - %	0.41

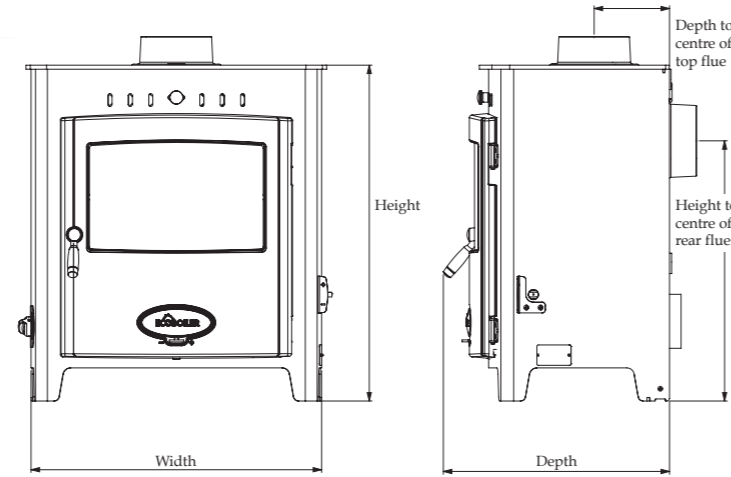
For boiler tapping measurements see page 29



# ECOBOILER HE

## Ecoboiler 9 HE

Nominal output to water	9kW
Output range to water	3 - 11kW
Output range to room	2 - 5kW
Height	570mm
Width	466mm
Depth	417mm
Height to centre of rear flue	431mm
Depth of back to centre of top flue	144mm
Flue outlet diameter	102mm
Max. log length	280mm
Max. operating pressure	3 bar
Min. distance to combustibles from rear	140mm
Min. distance to combustibles from sides	120mm
Under hearth temperature	89°C
Suitable for 12mm hearth	No
Suitable for direct air	Yes
Added height when on stand	125mm



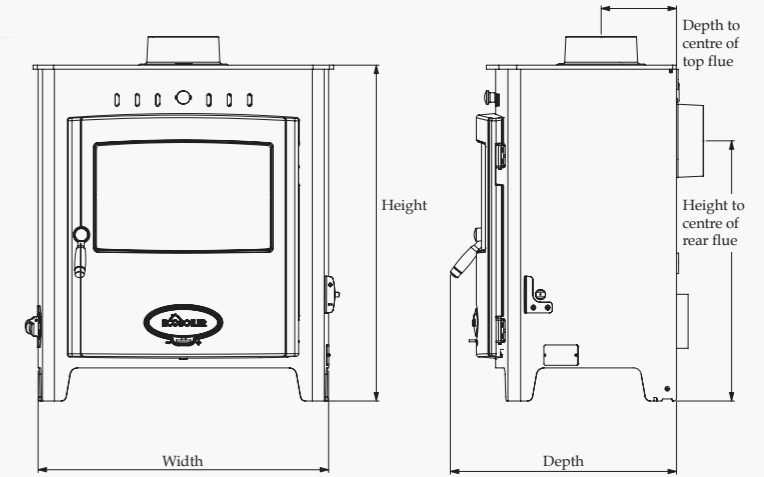
Performance	Ecoboiler 9 HE
Solid Smokeless Fuel	
Nett efficiency - %	75.2
Mean CO emission (@13% O2) - %	0.49

For boiler tapping measurements see page 30



## Ecoboiler 16 HE

Nominal output to water	13.6kW
Output range to water	4 - 18kW
Output range to room	2 - 7kW
Height	659mm
Width	590mm
Depth	402mm
Height to centre of rear flue	501mm
Depth of back to centre of top flue	147mm
Flue outlet diameter	127mm
Max. log length	405mm
Max. operating pressure	3 bar
Min. distance to combustibles from rear	250mm
Min. distance to combustibles from sides	240mm
Under hearth temperature	144°C
Suitable for 12mm hearth	No
Suitable for direct air	Yes
Added height when on stand	125mm



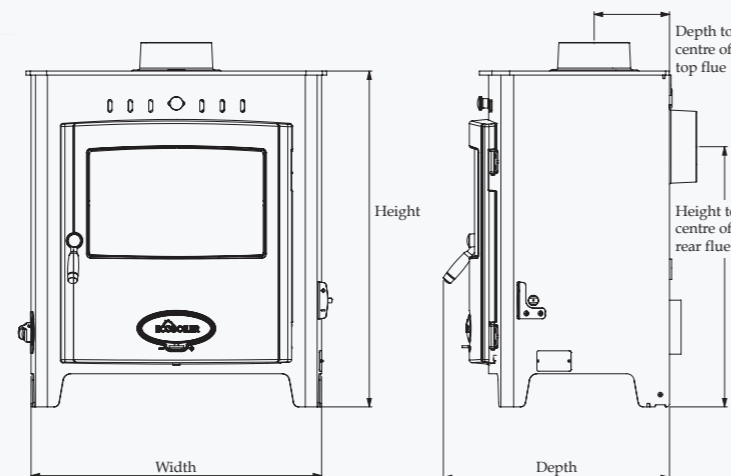
Performance	Ecoboiler 16 HE
Wood Fuel	
Nett efficiency - %	70.5
Mean CO emission (@13% O2) - %	0.81

For boiler tapping measurements see page 30



## Ecoboiler 12 HE

Nominal output to water	12.1kW
Output range to water	4 - 14kW
Output range to room	2 - 6kW
Height	603mm
Width	533mm
Depth	412mm
Height to centre of rear flue	442mm
Depth of back to centre of top flue	149mm
Flue outlet diameter	127mm
Max. log length	350mm
Max. operating pressure	3 bar
Min. distance to combustibles from rear	150mm
Min. distance to combustibles from sides	130mm
Under hearth temperature	135.6°C
Suitable for 12mm hearth	No
Suitable for direct air	Yes
Added height when on stand	125mm



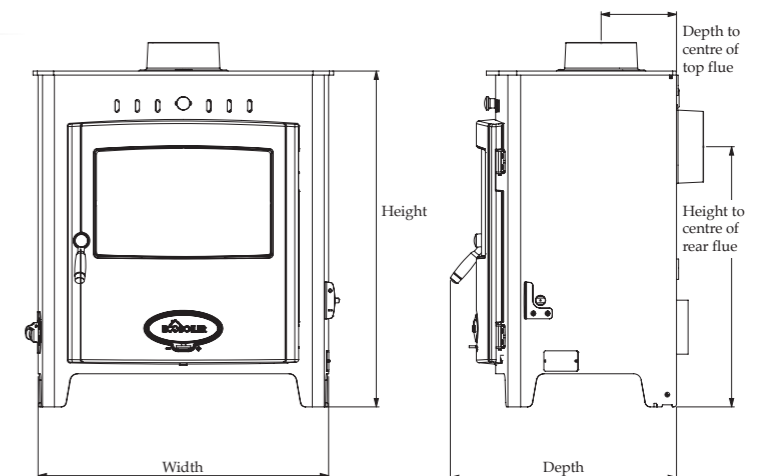
Performance	Ecoboiler 12 HE
Solid Smokeless Fuel	
Nett efficiency - %	71.5
Mean CO emission (@13% O2) - %	0.31

For boiler tapping measurements see page 30



## Ecoboiler 20 HE

Nominal output to water	18kW
Output range to water	5 - 22kW
Output range to room	2 - 6kW
Height	659mm
Width	590mm
Depth	443mm
Height to centre of rear flue	498mm
Depth of back to centre of top flue	152mm
Flue outlet diameter	152mm
Max. log length	405mm
Max. operating pressure	3 bar
Min. distance to combustibles from rear	180mm
Min. distance to combustibles from sides	160mm
Under hearth temperature	135.6°C
Suitable for 12mm hearth	No
Suitable for direct air	Yes
Added height when on stand	200mm



Performance	Ecoboiler 20 HE
Solid Smokeless Fuel	
Nett efficiency - %	70.5
Mean CO emission (@13% O2) - %	0.81

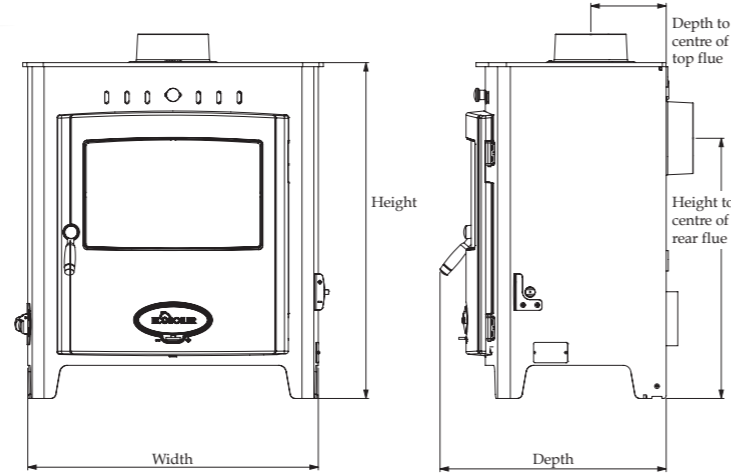
For boiler tapping measurements see page 30



# ECOBOILER HE & ECOBOILER WOOD

## Ecoboiler 25 HE

Nominal output to water	22.5kW
Output range to water	2 - 26kW
Output range to room	2 - 7kW
Height	725mm
Width	678mm
Depth	498mm
Height to centre of rear flue	565mm
Depth of back to centre of top flue	152mm
Flue outlet diameter	152mm
Max. log length	450mm
Max. operating pressure	3 bar
Min. distance to combustibles from rear	195mm
Min. distance to combustibles from sides	180mm
Under hearth temperature	138.9°C
Suitable for 12mm hearth	No
Suitable for direct air	Yes



Performance	Ecoboiler 25 HE
Wood Fuel	
Nett efficiency - %	72.4
Mean CO emission (@13% O2) - %	0.77

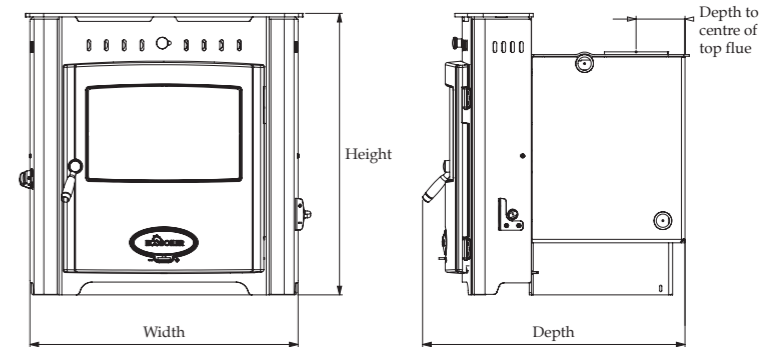
For boiler tapping measurements see page 30



# ECOBOILER INSET

## Ecoboiler 12 HE Inset

Nominal output to water	11.6kW
Output range to water	4 - 14kW
Output range to room	2 - 5kW
Height	590mm
Width	548mm
Depth	578mm
Depth of front fascia	179mm
Width in fireplace	412mm
Height in fireplace	532mm
Depth into fireplace	353mm
Depth of back to centre of top flue	110mm
Flue outlet diameter	127mm
Max. log length	305mm
Max. operating pressure	3 bar
Min. distance to combustibles from top	75mm
Min. distance to combustibles from sides	150mm
Under hearth temperature	189°C
Suitable for 12mm hearth	No
Suitable for direct air	No



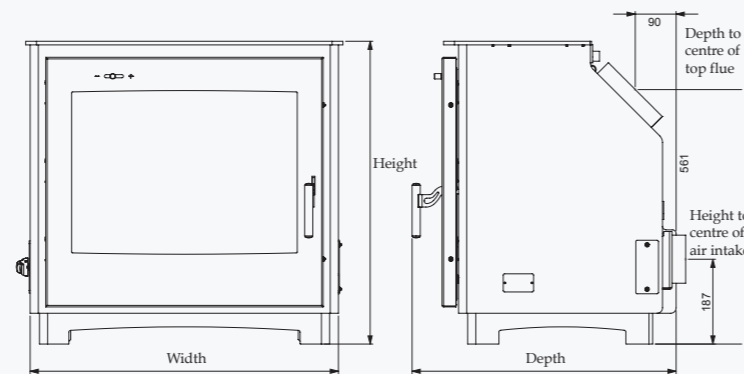
Performance	Ecoboiler 12 HE INSET
Wood Fuel	
Nett efficiency - %	72.7
Mean CO emission (@13% O2) - %	0.57

For boiler tapping measurements see page 30



## Ecoboiler Wood

Nominal output to water	11.8kW
Output range to water	4 - 14kW
Output range to room	2 - 6kW
Height	668mm
Width	700mm
Depth	605mm
Depth of back to centre of top flue	90mm
Flue outlet diameter	152mm
Max. log length	500mm
Max. operating pressure	3 bar
Min. distance to combustibles from rear	220mm
Min. distance to combustibles from sides	100mm
Under hearth temperature	75°C
Suitable for 12mm hearth	No
Suitable for direct air	Yes



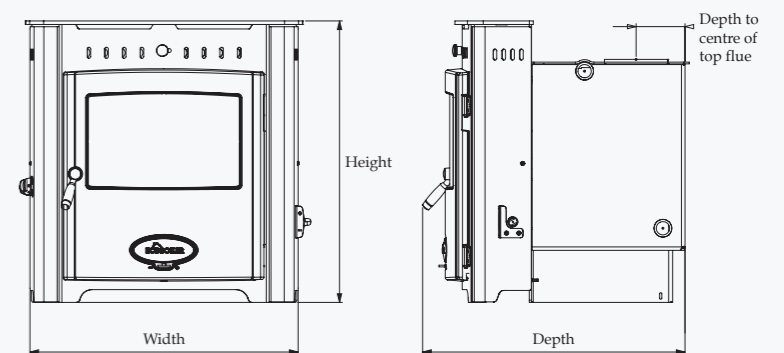
Performance	Ecoboiler Wood
Wood Fuel	
Nett efficiency - %	73.4
Mean CO emission (@13% O2) - %	0.3

For boiler tapping measurements see page 30



## Ecoboiler 16 HE Inset

Nominal output to water	16.1kW
Output range to water	4 - 18kW
Output range to room	2 - 6kW
Height	636mm
Width	626mm
Depth	544mm
Depth of front fascia	177mm
Width in fireplace	528mm
Height in fireplace	543mm
Depth into fireplace	357mm
Depth of back to centre of top flue	122mm
Flue outlet diameter	127mm
Max. log length	405mm
Max. operating pressure	3 bar
Min. distance to combustibles from top	100mm
Min. distance to combustibles from sides	75mm
Under hearth temperature	284.3°C
Suitable for 12mm hearth	No
Suitable for direct air	No



Performance	Ecoboiler 16 HE INSET
Wood Fuel	
Nett efficiency - %	71.5
Mean CO emission (@13% O2) - %	0.92

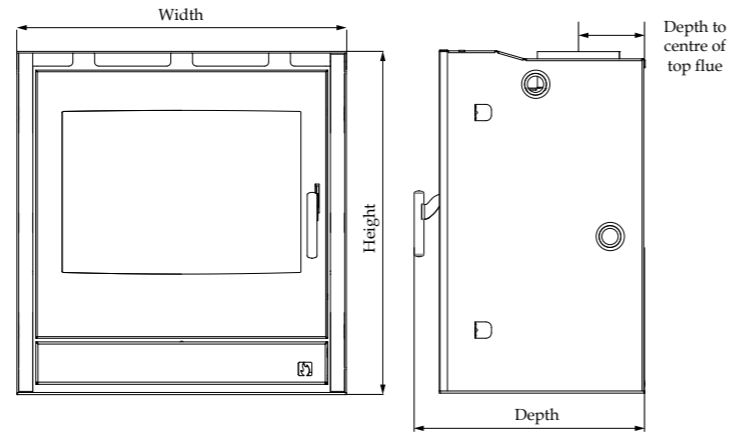
For boiler tapping measurements see page 30



# ECOBOILER CASSETTE

## Ecoboiler 12 Cassette

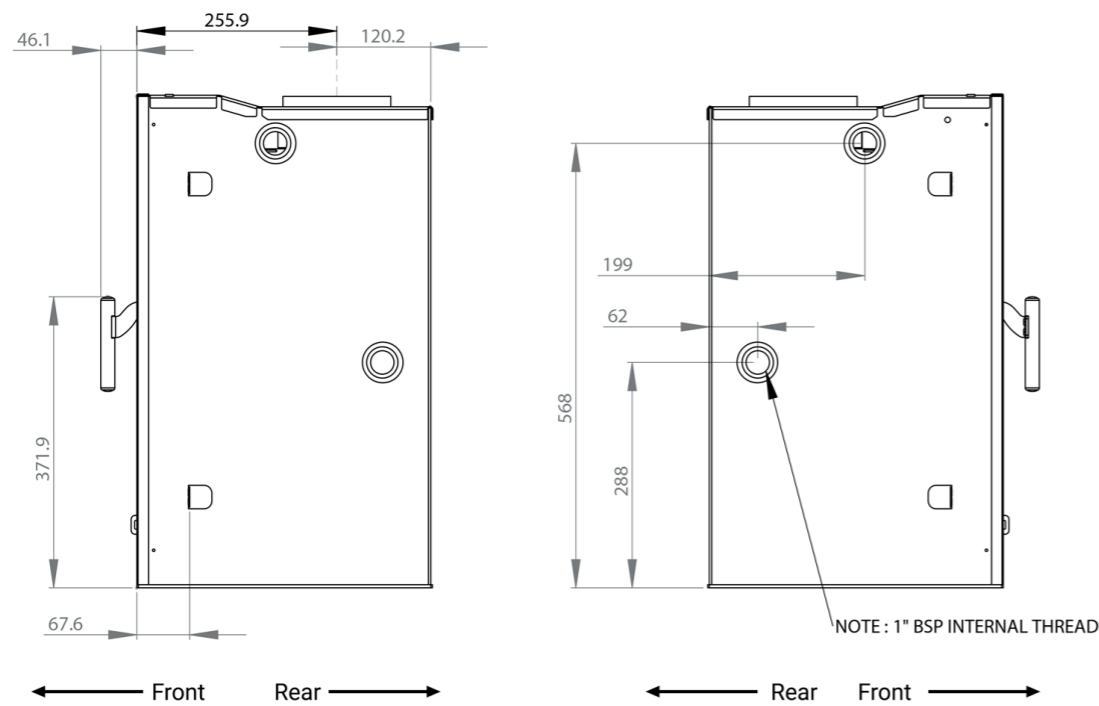
Nominal output to water	12kW
Output range to water	5 - 13kW
Output range to room	2 - 5kW
Height	631mm
Width	606mm
Depth	377mm
Depth into fireplace	354mm
Max. log length	440mm
Max. operating pressure	3 bar
Min. distance to combustibles from top	250mm
Min. distance to combustibles from sides	100mm
Suitable for 12mm hearth	No
Suitable for direct air	Yes



Performance	Ecoboiler 12 Cassette
Wood Fuel	
Nett efficiency - %	74.5
Mean CO emission (@13% O2) - %	0.28



### Boiler tapping measurements

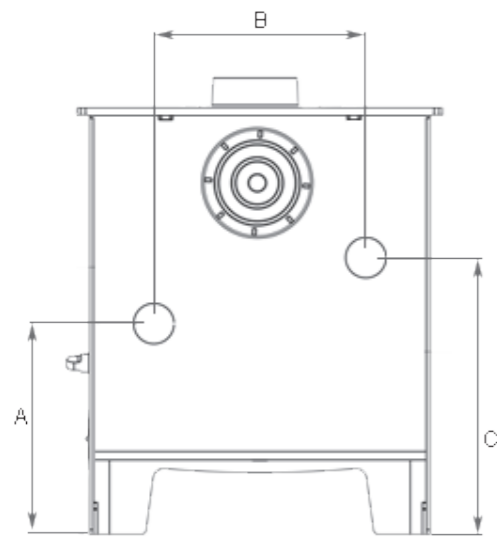


# SPARES & ACCESSORIES

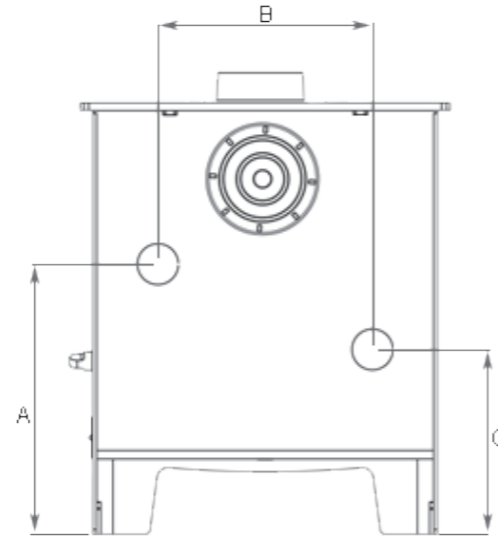
Buy online at  
[aradastovesandspares.com](http://aradastovesandspares.com)



# BOILER TAPPING MEASUREMENTS



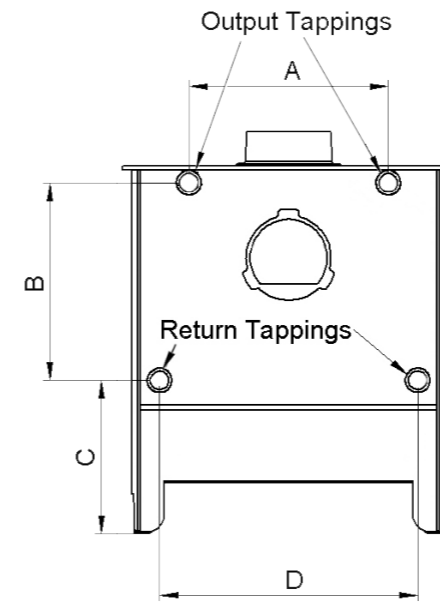
Add In Boiler Tapping Measurements.  
Rear view example shown. Not to scale.



Add In Boiler Tapping Measurements.  
Rear view example shown. Not to scale.

Model	Distance A	Distance B	Distance C
Acorn View 4	208mm	191mm	287mm
Acorn View 5	211mm	210mm	321mm
Esprit 5 Solo	213mm	308mm	273mm
Esprit 8 Solo	220.5mm	428mm	301.5mm
Puffin 4	252mm	210mm	362mm
Heron 5	262mm	210mm	372mm
Chelsea Solo	208mm	252mm	412mm
Chelsea Duo	208mm	252mm	412mm
Villager Duo 5	257mm	315mm	312mm
Villager Duo 8	257mm	315mm	312mm
Villager Duo 12	293mm	460mm	382mm
Villager Duo 14	295mm	508mm	383mm
Ecoburn Plus 4	237mm	210mm	347mm
Ecoburn Plus 5	255mm	264mm	347mm
Ecoburn Plus 7	260mm	265mm	352mm
Ecoburn Plus 9	247mm	269mm	390mm
Ecoburn Plus 11	236mm	360mm	391mm

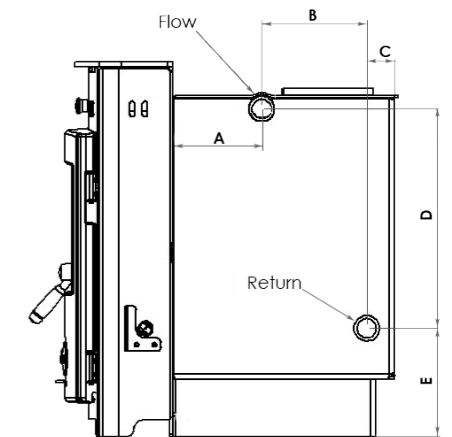
Model	Distance A	Distance B	Distance C
C Flat Wood Solo	412mm	252mm	208mm
C Flat Wood Duo	412mm	252mm	208mm
Flatmate	479mm	372mm	303mm
A Flat Wood	350mm	489mm	178mm



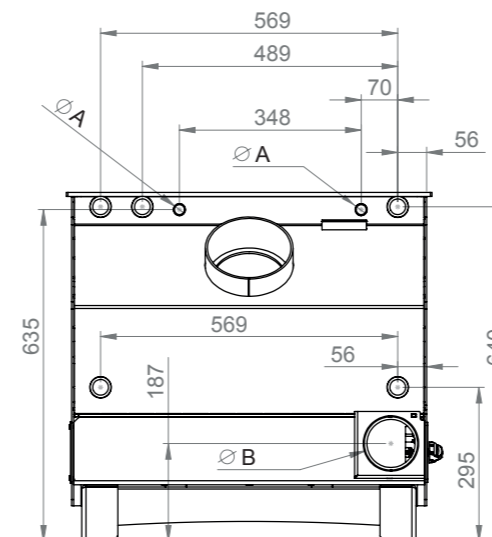
Model	Distance A	Distance B	Distance C	Distance D
Ecoboiler 9 HE	260mm	288mm	255mm	356mm
Ecoboiler 12 HE	326mm	324mm	252mm	422mm
Ecoboiler 16 HE	384mm	361mm	270mm	481mm
Ecoboiler 20 HE	340mm	362mm	268mm	457mm
Ecoboiler 25 HE	390mm	416mm	280mm	544mm

Freestanding Boiler Tapping Measurements.  
Rear view example shown. Not to scale.

Model	Distance A	Distance B	Distance C	Distance D	Distance E
Ecoboiler 12 HE Inset	139mm	165mm	49mm	345mm	172mm
Ecoboiler 16 HE Inset	120mm	177mm	59mm	355mm	168mm



Inset Boiler Tapping Measurements.  
Side view example shown. Not to scale.



Model	Connection	Diameter
Ecoboiler Wood 12	A - Outlets	22mm (external)
	B - Direct Air Inlet	102mm
	All other connections	1 inch BSP (internal)

Connection point measurements shown in millimeters unless specified.



Model shown: Ecoburn Plus 5 with Flue Pipe Thermometer

# GUARANTEED TO LAST

*The Arada badge is, quite literally, your 'built-to-last' guarantee. There's no registration required (because you're buying a stove, not a superyacht). All our stoves come with an industry-leading stove body guarantee. Seven years if you choose a boiler stove. Or a lifetime guarantee on all our other stoves. As long as your stove has been purchased from one of our authorised retailers and installed following regulations governing the fitting of wood burning and solid fuel appliances in the country of installation, our guarantee comes as standard.*



## Lifetime guarantee

We are proud to back our craftsmanship with a lifetime guarantee as standard for our stove bodies. This ensures you have long-lasting enjoyment with your Arada stove and added peace of mind for years to come.



## Seven year guarantee

Our boiler stoves come with a complimentary seven year guarantee as standard.

Terms and conditions apply. Please contact your retailer for more information.



### General Enquiries:

T +44 (0) 1297 35700 (Mon-Fri 8:30am-5pm)  
The Fireworks, Weycroft Avenue, Axminster, Devon EX13 5HU  
[aradastoves.com](http://aradastoves.com)

### Technical Helpline:

T +44 (0) 1297 35700 (Mon-Fri 8:30am-5pm)

### Spares:

W [aradastovesandspares.com](http://aradastovesandspares.com)  
E [info@aradastovesandspares.com](mailto:info@aradastovesandspares.com)