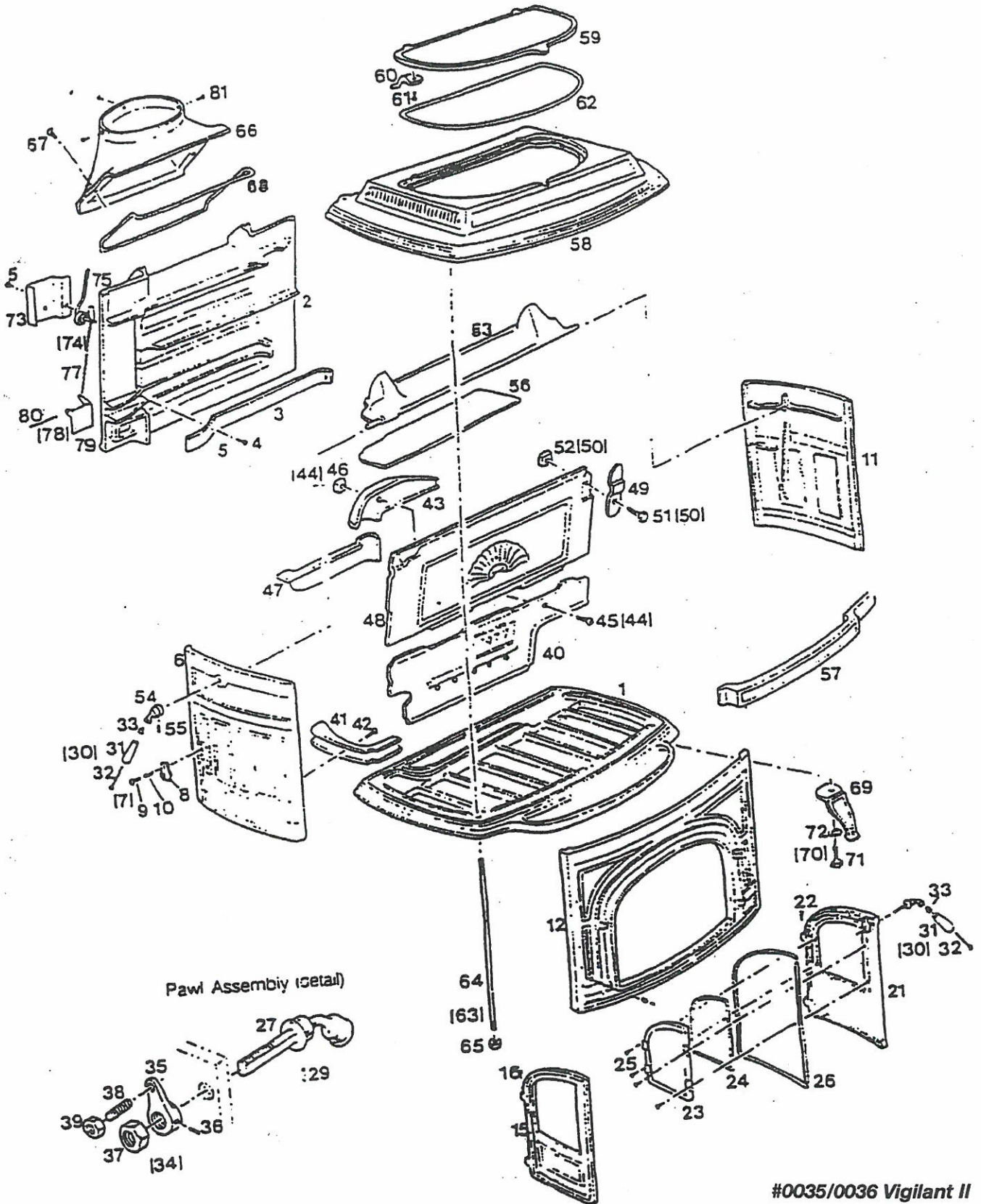


VIGILANT II MODELS # 0035 & 0036



Vigilant

MODEL #'S

0035 & 0036 VIGILANT II

FEATURES:

MANUFACTURED 7/24/84 THROUGH 6/88

WRAP AROUND FRONT & TWO PIECE FIREBACK

SOME MODELS HAVE SINGLE GLASS WITH CAST FRAMES

SOME HAVE DOUBLE GLASS WITH STAINLESS FRAMES

SOME HAVE DOUBLE GLASS WITH CLIPS- NO FRAMES

DIAGRAM #	ITEM #	PART DESCRIPTION
1	1304258	BOTTOM
2	1304277	BACK
3	1300787	NIGHT AIR COVER
4	1200889	NIGHT AIR COVER SCREW
5	1304371	CLEAN GLASS PRIM. AIR TUBE (USED WITH DOUBLE GLASS STOVES)
5	1200998	(10 - 24 X 1/2 PH TR SCREW)
6	1304269	LEFT END
8	1300671	SECONDARY AIR COVER
9	1201007	1 - 24 X 3/4 TRS HD PH
10	1201846	THERMOSTAT TENSION SPRING
11	1304262	RIGHT END
12	1304273	FRONT ONLY
13	5000945	FRONT AND DOORS ASSEMBLED (DOES NOT INCLUDE GLASS)
15	1304224	LEFT DOOR
16	1600546	DOOR PIN
17	1304231	LEFT DOOR CAST INSERT
18	1203560	3 NEEDLE, 1/4" FIBERGLASS/PER FT.
19	1200998	HEAT SHIELD HOLE SCREW
21	1304216	RIGHT DOOR
22	1600546	DOOR PIN
23	1304238	RIGHT DOOR CAST INSERT
24	1203560	3 NEEDLE, 1/4" FIBERGLASS/PER FT.
25	1200998	HEAT SHIELD HOLE SCREW
27	0004370	FRONT HANDLE STUB
30	0004342	CERAMIC HANDLE & SCREW
31	1600620	CERAMIC SHAFT ONLY
32	1201364	HANDLE PIN (LONG 3 3/4)
	1201294	HANDLE PIN (SHORT 3 3/8)

#0035/0036 Vigilant II

33	1600650	NUB FOR CERAMIC HANDLE
34	0004384	PAWL ASSEMBLY
36	1200417	SET SCREW
37	1203290	LARGE PAWL NUT
38	1200436	STRIKER BOLT
39	1203210	STRIKER BOLT NUT
40	1304135	LOWER FIREBACK
41	1300872	PRIMARY AIRTUBE
42	1200830	1/4 - 20 X 1 3/4 PH FL HD
43	1300829	COVER PLATE B (AIRHORN)
44	1203329	AIRHORN NUT (1/4 20 SQ NUT)
	1200889	NIGHT AIR COVER SCREW
45	1200848	1/4 - 20 X 2 PH FLA HD
46	1203329	AIRHORN NUT (1/4 20 SQ NUT)
47	1300821	COVER PLATE A (BEHIND FB)
48	1304120	UPPER FIREBACK
49	1304148	DAMPER RETAINER
51	1201374	1/4 - 20 X 3/4 HEX HD CAP
52	1203329	DAMPER RETAINER NUT (1/4 - 20 SQ.)
53	5000992	DAMPER (WITH WELDED PIN)
54	0004355	DAMPER HANDLE STUB
	1200563	DAMPER HANDLE SET SCREW
55	1200417	SET SCREW
56	1300876	SMOKE SHELF
57	NA-5002821	ASH FETTLE COMPLETE (USED WITH DOUBLE GLASS STOVES)
SUBSTITUTE:	1304362 / 1304366 / (2) 1201399 / (2) 1202472 / (2) 1201782	
	1304366	ASH FETTLE BACK ONLY
	1304362	ASH FETTLE FRONT ONLY
	1304023	ASH FETTLE (SINGLE GLASS MODEL)
58	1304251	TOP
59	1300797	GRIDDLE ALONE
60	0004444	GRIDDLE QUADRANT
61	1201338	1/4 - 20 X 1/2 HEX HD CAP
62	1203668	5/16" ARMASEAL/PER FT.
63	5007498	TIE ROD SET
65		TIE ROD NUT
66	1304280	FLUE COLLAR
67	1200907	1/4 - 20 X 1 PH RD HD
68	1203560	3 NEEDLE. 1/4" FIBERGLASS/PER FT.
69	1303225	LEG (1 ONLY)
	5000360	LEGS (SET OF 4)
70	NA	LEG BOLTS SET
SUBSTITUTE:	(4) 1201443	
73	1601487	THERM COVER
75	0004320	THERMOSTAT
76	1201846	THERMOSTAT TENSION SPRING
77	1201960	THERMOSTAT BALL CHAIN (PER FT)

79 NA THERM FLAP WITH EYELET
SUBSTITUTE: 5005410
 80 1601555 THERM FLAP PIN
 81 1200998 HEAT SHIELD HOLE SCREW

ITEMS NOT SHOWN

1202420 FELT DOOR PIN WASHER
 (USED ON ENAMEL STOVES)
 1200055 BUSHING PLUG
 1303051 ANDIRON (1) DROP IN
 (USED WITH DOUBLE GLASS MODELS)
 1401119 GLASS (1)
 1601392 GLASS CLIPS - LONG
 (1 USED ON EACH DOOR)
 1601391 GLASS CLIPS - SHORT
 (1 USED ON EACH DOOR)
 5002822 GLASS GASKET WITH WIRE
 (USED BETWEEN THE DOUBLE GLASS ON EACH DOOR)
 1600600 HANDLE HOLDER
 1200983 GLASS CLIPS SCREWS
 1201832 HANDLE ROLL PIN

ENAMEL PARTS

* PREFIX FOR ENAMEL PARTS

131 RED	136 GRAY
132 SAND	137 CHOCOLATE BROWN
133 BLUE	138 ANTIQUE GREEN
134 MIDNIGHT	139 ANTIQUE BROWN

* 4277 BACK (N/A IN RED, SAND, BLUE OR MIDNIGHT; SUBSTITUTE; CLASSIC BLACK ONLY)
 * 4258 BOTTOM (N/A IN SAND, BLUE OR MIDNIGHT; SUBSTITUTE; CLASSIC BLACK ONLY)
 * 4280 FLUE COLLAR
 * 4224 LEFT DOOR (N/A IN SAND, BLUE OR MIDNIGHT; SUBSTITUTE; CLASSIC BLACK ONLY)
 * 4269 LEFT END (N/A IN SAND, BLUE OR MIDNIGHT; SUBSTITUTE; CLASSIC BLACK ONLY)
 * 4216 RIGHT DOOR (N/A IN SAND, BLUE OR MIDNIGHT; SUBSTITUTE; CLASSIC BLACK ONLY)
 * 4262 RIGHT END (N/A IN RED, SAND, BLUE OR MIDNIGHT; SUBSTITUTE; CLASSIC BLACK ONLY)
 * 0663 SHORT LEGS (1)
 * 3224 SHORT LEG (1) (N/A IN RED, BLUE, MIDNIGHT OR ANTIQUE BROWN)
SUBSTITUTE: * 3225 † † (FOR ANTIQUE BROWN SUBSTITUTE: 130-3225 IN CURRENT COLORS ONLY)
 * 4251 TOP (N/A IN SAND, BLUE OR MIDNIGHT; SUBSTITUTE: CLASSIC BLACK ONLY)

VIGILANT FRONTS W/DOORS

5006553 VIG FRT W/DOORS - GRAY
NA VIG FRT W/DOORS - SAND
SUBSTITUTE: 5000945
NA VIG FRT W/DOORS - BLUE
SUBSTITUTE: 5000945
5006555 VIG FRT W/DOORS - ANTIQUE BROWN
5006554 VIG FRT W/DOORS - ANTIQUE GREEN
NA VIG FRT W/DOORS - RED
SUBSTITUTE: 5000945

GASKETS

SEE VIGILANT COAL STOVE MODEL 0054 & COAL KIT

ACCESSORIES

SEE VIGILANT COAL STOVE MODEL 0054 & COAL KIT