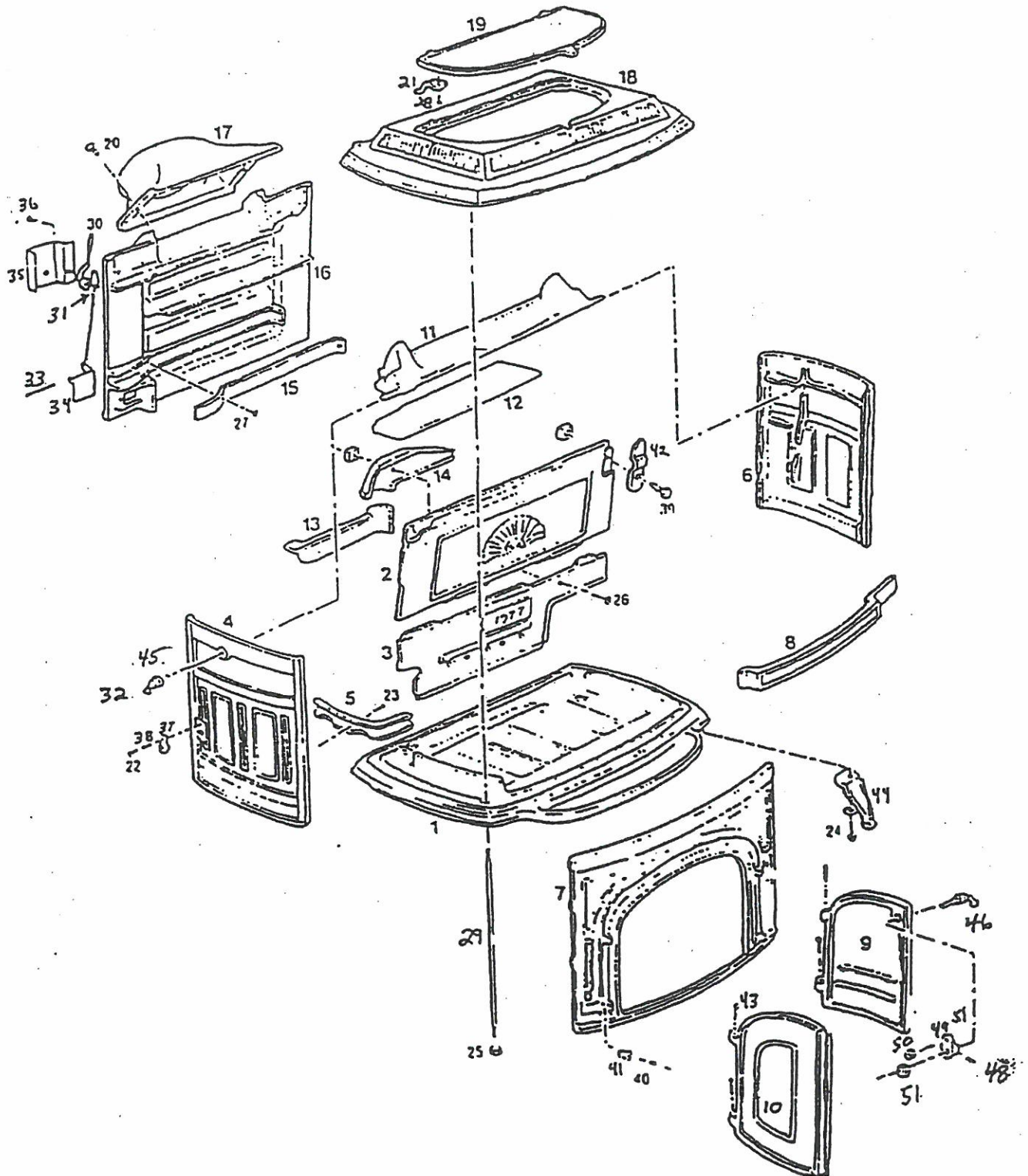


VIGILANT IC MODELS # 0035 & 0036



#0035/0036 Vigilant 1C

# Vigilant

MODEL #'S                      0035 & 0036 VIGILANT 1C

FEATURES:                      HAS LONG DOORS & A TWO PIECE FIREBACK  
    MANUFACTURED 7/19/82 - 7/24/84  
    SIDES WRAP AROUND THE FRONT

DIAGRAM #	ITEM #	PART DESCRIPTION
1	1300736	BOTTOM
2	1304120	UPPER FIREBACK
3	1304135	LOWER FIREBACK
4	1304199	LEFT END
5	1300868	PRIMARY AIRTUBE
6	1304183	RIGHT END
7	5000936	VIG IC FRONT WITH DOORS (NO CAST PANELS OR GLASS INCLUDED, SOLID DOORS NO LONGER AVAILABLE)
	<del>NA-1304010</del>	<del>FRONT ONLY</del>
8	1304023	ASH FETTLE
9	1304216	RIGHT DOOR
	1304238	RIGHT DOOR INSERT
10	1304224	LEFT DOOR
	1304231	LEFT DOOR INSERT
11	5000992	DAMPER (WITH WELDED PIN)
12	1300876	SMOKE SHELF
13	1300821	COVER PLATE A (BEHIND FB)
14	1300829	COVER PLATE B (AIRHORN)
15	1300787	NIGHT AIR COVER
16	<del>NA-1300744</del>	<del>BACK</del>
17	1304280	FLUE COLLAR
18	<del>NA-1300655</del>	<del>TOP</del>
19	1300797	GRIDDLE ALONE
20	1200907	1/4 - 20 X 1 PH RD HD
21	0004444	GRIDDLE QUADRANT
22	1201007	1 - 24 X 3/4 TRS HD RH
23	1200830	1/4 - 20 1 3/4 PH FL HD

24	NA	LEG BOLTS SET
<b>SUBSTITUTE:</b>	(4) 1201443	
25	1203210	1/4 - 20 NUT
26	1200848	1/4 - 20 X 2 PH FLA HD
	1203329	AIRHORN NUT (1/4 20 SQ NUT)
27	1200889	NIGHT AIR COVER SCREW
28	1201338	1/4 - 20 X 1/2 HEX HD CAP
29	5007498	TIE ROD SET
30	0004320	THERMOSTAT
31	1201960	THERMOSTAT BALL CHAIN (PER FT)
32	1200563	DAMPER HANDLE SET SCREW
33	1601555	THERM FLAP PIN
34	0005800	THERM FLAP WITH EYELET
35	1601487	THERM COVER
36	1200998	(10 - 24 X 1/2 PH TR SCREW)
37	1300671	SECONDARY AIR COVER
38	1201846	THERMOSTAT TENSION SPRING
39	1301374	1/4 - 20 X 3/4 HEX HD CAP
	1203329	DAMPER RETAINER NUT (1/4 - 20 SQ.)
40	1200055	BUSHING PLUG
41	1200903	SHAKER ROD BUSHING
42	1304148	DAMPER RETAINER
43	1600546	DOOR PIN
44	1303225	LEG (1 ONLY)
	5000360	LEGS (SET OF 4)
45	0004355	DAMPER HANDLE STUB
46	0004370	FRONT HANDLE STUB
47	0004384	PAWL ASSEMBLY
48	1200417	SET SCREW
49	1200436	STRIKER BOLT
50	1203210	STRIKER BOLT NUT
51	1203290	LARGE PAWL NUT

**ITEMS NOT SHOWN**

0004342	CERAMIC HANDLE & SCREW
1600620	CERAMIC SHAFT ONLY
1202420	FELT DOOR PIN WASHER (USED ON ENAMEL STOVES)
1201364	HANDLE PIN (LONG 3 3/4)
1201294	HANDLE PIN (SHORT 3 3/8)
1600650	NUB FOR CERAMIC HANDLE



1401119 GLASS (1)  
1304249 RIGHT GLASS FRAME (CAST)  
1394242 LEFT GLASS FRAME (CAST)  
1600600 HANDLE HOLDER  
1201832 HANDLE ROLL PIN  
1200998 HEAT SHIELD HOLE SCREW  
(10 - 24 X 1/2 PH TRUSS HD)  
1200998 DOOR INSERT & FRAME SCREW  
(10 - 24 X 1/2 PH TRUSS SCREW)

## ENAMEL PARTS

### **\*PREFIX FOR ENAMEL PARTS**

**131 RED**                      **136 GRAY**  
**133 BLUE**

\* 0671 AIR CONTROL (AVAILABLE IN BLUE, GRAY & CLASSIC BLACK ONLY)  
\* 0744 BACK (AVAILABLE IN RED, GRAY & CLASSIC BLACK ONLY)  
\* 0736 BOTTOM (AVAILABLE IN RED, GRAY & CLASSIC BLACK ONLY)  
\* 0841 FLUE COLLAR  
\* 4010 FRONT (AVAILABLE IN RED, GRAY & CLASSIC BLACK ONLY)  
\* 4199 LEFT END (AVAILABLE IN RED, GRAY & CLASSIC BLACK ONLY)  
\* 4183 RIGHT END (AVAILABLE IN RED, GRAY & CLASSIC BLACK ONLY)  
\* 0655 TOP

SOLID DOORS NOT AVAILABLE

## REPAIR KITS

NA            **BOTTOM KIT**  
(FITS IC, IA, I ONLY)  
(INCLUDES: VIG BOTTOM , TIE  
RODS, CEMENT, PAINT, AND  
INSTRUCTIONS)

**SUBSTITUTE:** 1300736 / 5007498 / 0004470

## GASKETS

SEE VIGILANT COAL STOVE MODEL 0054 & COAL KIT  
AND SEE GASKETS MATERIALS

## ACCESSORIES

SEE VIGILANT COAL STOVE MODEL 0054 & COAL KIT

