



600-0051 to 1400  
AND IRONS

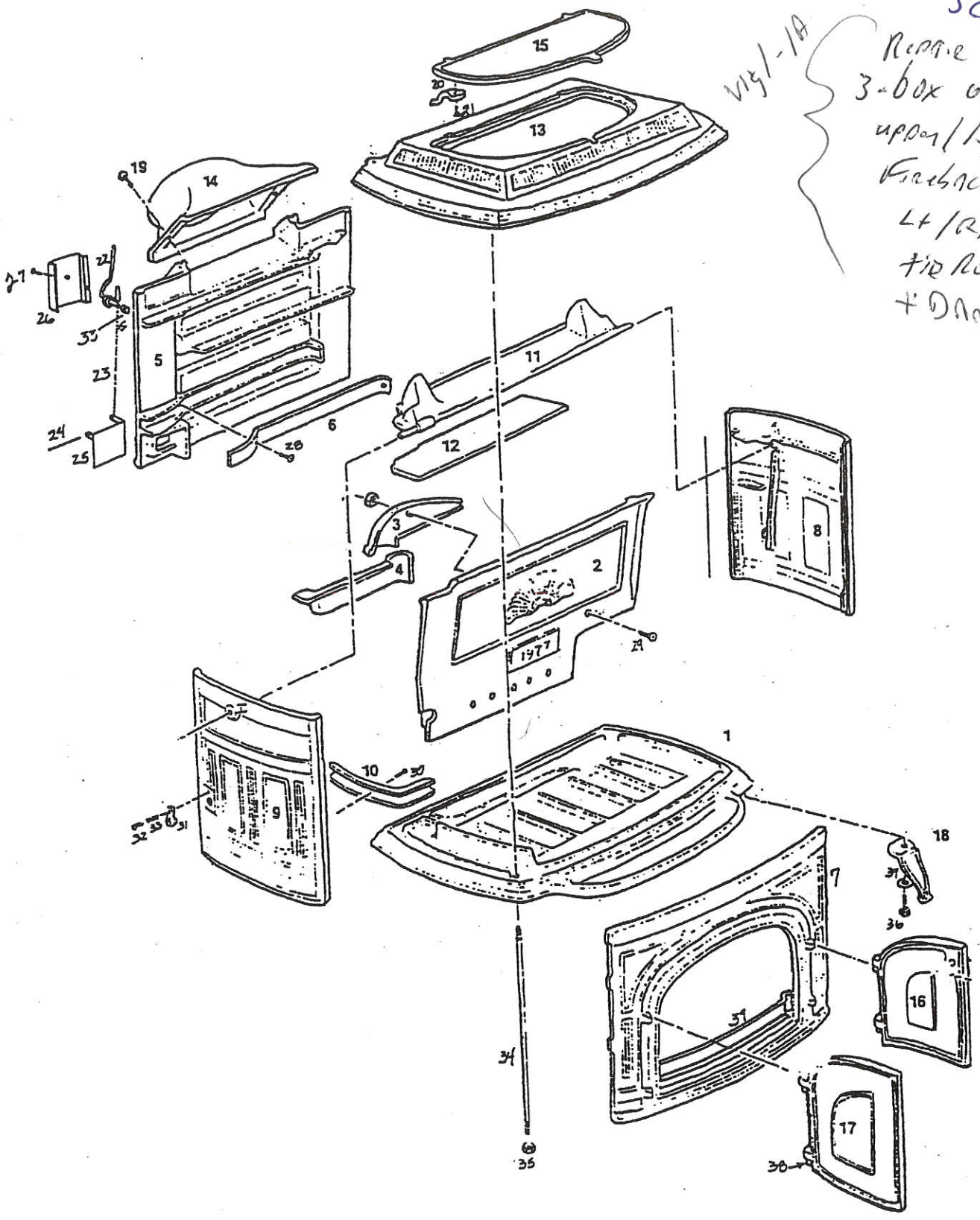
REPLACEMENT PARTS

VIGILANT I & IA MODELS # 0035 & 0039

0132-spark  
Screen

Vig/1A

Require 2 Piece  
Fireback  
3-box 005855  
upper/lwr  
Fireback  
4/102 Ends  
Fire Rods  
+ Dampers



Vigilant 1 / 1A #0035/0039

# Vigilant

**MODEL #'S**                    **0035 VIGILANT 1 SHORT DOOR**  
**0039 VIGILANT 1A LONG DOOR SOLID**

**FEATURES:**                    **VIGILANT I** - HAS SHORT DOORS & WAS  
MANUFACTURED FROM 1978 THROUGH EARLY 1981  
**VIGILANT 1A** - HAS LONG DOORS. IT WAS SOLD  
WITH EITHER SOLID CAST DOORS OR WITH GLASS PANELS  
IT WAS MANUFACTURED FROM EARLY 1981 THROUGH 7/18/92.  
BOTH HAD A SINGLE PIECE FIREBACK & SIDES WRAP  
AROUND THE FRONT  
**VIGILANT COAL** - HAD 3 ROCKER TYPE GRATES  
COAL PARTS ARE LISTED UNDER THE ACCESSORY SECTION

DIAGRAM #	ITEM #	PART DESCRIPTION
1	1300736	BOTTOM
2	NA	SINGLE FIREBACK - USE KIT #5855
3	1300829	COVER PLATE B (AIRHORN)
4	1300821	COVER PLATE A (BEHIND FB)
5	NA	BACK
6	1300787	NIGHT AIR COVER
7	5000939	VIG IC FRONT WITH DOORS (NO CAST PANELS OR GLASS INCLUDED, SOLID DOORS NO LONGER AVAILABLE)
8	NA	RIGHT END
9	NA	LEFT END
10	1300868	PRIMARY AIRTUBE
11	5000992	DAMPER W/PIN
12	1300876	SMOKE SHELF
13	NA	TOP
14	1300876	FLUE COLLAR
15	1300797	GRIDDLE ALONE
16	1304216	RIGHT DOOR
	1304238	RIGHT DOOR CAST INSERT



REPLACEMENT PARTS

- 17 1304224 LEFT DOOR *A*
  - 1304231 LEFT DOOR CAST INSERT
  - 18 1301225 LEG (1 ONLY)
  - 5000360 LEGS (SET OF 4)
  - 19 1200907 1/4 - 20 X 1 PH RD HD
  - 20 0004444 GRIDDLE QUADRANT
  - 21 1201338 1/4 - 20 X 1/2 HEX HD CAP
  - 22 ~~0004320~~ THERMOSTAT *5005483*
  - 23 1201960 THERMOSTAT BALL CHAIN (PER FT)
  - 24 1601555 THERM FLAP PIN
  - 25 0005800 THERM FLAP WITH EYELET
  - 26 1601487 THERM COVER
  - 27 1200998 10 - 24 X 1/2 PH TR SCREW
  - 28 1200998 NIGHT AIR COVER SCREW
  - 29 1200889 AIRHORN SCREW ( 1/4 - 20 X 2 H FLA HD)
  - 1203329 AIRHORN NUT (1/4 20 SQ NUT)
  - 30 1200848 PRIMARY AIRTUBE SCREW
  - 31 1300671 SECONDARY AIR COVER
  - 32 1201007 1 - 24 X 3/4 TRS HD PH
  - 33 1201846 THERMOSTAT TENSION SPRING
  - 34 5007498 TIE ROD SET
  - 35 1203210 1/4 - 20 NUT
  - 36 NA ~~LEG-BOLTS-SET~~
- SUBSTITUTE:** (4) 1201443
- 37 1600600 HANDLE HOLDER
  - 38 1600546 DOOR PIN
  - 39 1304023 ASH FETTLE

**ITEMS NOT SHOWN**

- 30002362* - 1200563 DAMPER HANDLE SET SCREW
- ~~0004384~~ PAWL ASSEMBLY
- 1200417 SET SCREW
- 1203210 STRIKER BOLT NUT
- 1200417 STRIKER BOLT
- 1203290 LARGE PAWL NUT
- 0004342 CERAMIC HANDLE & SCREW
- 1600620 CERAMIC SHAFT
- 1202420 FELT DOOR PIN WASHER
- ~~0004370~~ FRONT HANDLE STUB *5004237 vertical shaft*
- 1201364 HANDLE PIN (LONG 3 3/4)
- 1201294 HANDLE PIN (SHORT 3 3/8)
- 1600650 NUB FOR CERAMIC HANDLE
- 0004355 DAMPER HANDLE STUB
- 1200055 BUSHING PLUG

1200903 SHAKER ROD BUSHING  
1401119 GLASS (1)  
1304249 RIGHT GLASS FRAME (CAST)  
130? 1394242 LEFT GLASS FRAME (CAST)  
1201832 HANDLE ROLL PIN  
1200998 HEAT SHIELD HOLE SCREW  
(10 - 24 X 1/2 PH TRUSS SCREW)  
1200998 DOOR INSERT & FRAME SCREW  
(10 - 24 X 1/2 PH TRUSS SCREW)

**GASKETS**

SEE VIGILANT COAL STOVE MODEL 0054 & COAL KIT  
AND SEE GASKETS MATERIALS

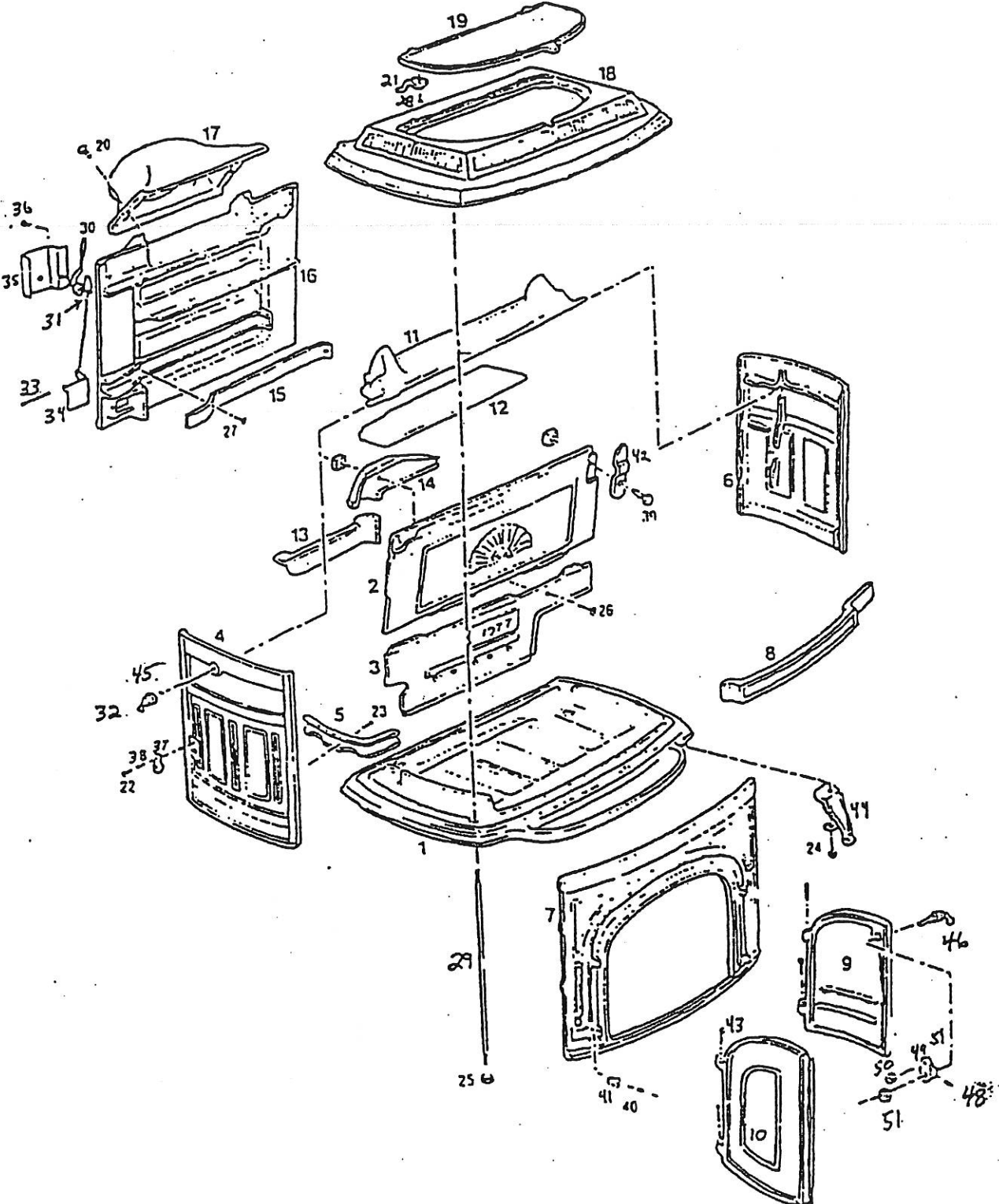
**REPAIR KITS**

SEE VIGILANT COAL STOVE MODEL 0054 & COAL KIT

**ACCESSORIES**

SEE VIGILANT COAL STOVE MODEL 0054 & COAL KIT

VIGILANT IC MODELS # 0035 & 0036



# Vigilant

**MODEL #'S**                      **0035 & 0036 VIGILANT 1C**

**FEATURES:**                      *HAS LONG DOORS & A TWO PIECE FIREBACK*  
    *MANUFACTURED 7/19/82 - 7/24/84*  
    *SIDES WRAP AROUND THE FRONT*

DIAGRAM #	ITEM #	PART DESCRIPTION
1	1300736	BOTTOM
2	1304120	UPPER FIREBACK
3	1304135	LOWER FIREBACK
4	1304199	LEFT END
5	1300868	PRIMARY AIRTUBE
6	1304183	RIGHT END
7	5000936	VIG IC FRONT WITH DOORS (NO CAST PANELS OR GLASS INCLUDED, SOLID DOORS NO LONGER AVAILABLE)
	<del>NA 1304010</del>	<del>FRONT ONLY</del>
8	1304023	ASH FETTLE
9	1304216	RIGHT DOOR
	1304238	RIGHT DOOR INSERT
10	1304224	LEFT DOOR
	1304231	LEFT DOOR INSERT
11	5000992	DAMPER (WITH WELDED PIN)
12	1300876	SMOKE SHELF
13	1300821	COVER PLATE A (BEHIND FB)
14	1300829	COVER PLATE B (AIRHORN)
15	1300787	NIGHT AIR COVER
16	<del>NA 1300744</del>	<del>BACK</del>
17	1304280	FLUE COLLAR
18	<del>NA 1300655</del>	<del>TOP</del>
19	1300797 <i>A</i>	GRIDDLE ALONE
20	1200907	1/4 - 20 X 1 PH RD HD
21	0004444	GRIDDLE QUADRANT
22	1201007	1 - 24 X 3/4 TRS HD RH
23	1200830	1/4 - 20 1 3/4 PH FL HD



**REPLACEMENT PARTS**

24	NA	LEG BOLTS SET
<b>SUBSTITUTE:</b>	(4) 1201443	
25	1203210	1/4 - 20 NUT
26	1200848	1/4 - 20 X 2 PH FLA HD
	1203329	AIRHORN NUT (1/4 20 SQ NUT)
27	1200889	NIGHT AIR COVER SCREW
28	1201338	1/4 - 20 X 1/2 HEX HD CAP
29	5007498	TIE ROD SET
30	0004320	THERMOSTAT
31	1201960	THERMOSTAT BALL CHAIN (PER FT)
32	1200563	DAMPER HANDLE SET SCREW
33	1601555	THERM FLAP PIN
34	0005800	THERM FLAP WITH EYELET
35	1601487	THERM COVER
36	1200998	(10 - 24 X 1/2 PH TR SCREW)
37	1300671	SECONDARY AIR COVER
38	1201846	THERMOSTAT TENSION SPRING
39	1301374	1/4 - 20 X 3/4 HEX HD CAP
	1203329	DAMPER RETAINER NUT (1/4 - 20 SQ.)
40	1200055	BUSHING PLUG
41	1200903	SHAKER ROD BUSHING
42	1304148	DAMPER RETAINER
43	1600546	DOOR PIN
44	1303225	LEG (1 ONLY)
	5000360	LEGS (SET OF 4)
45	0004355	DAMPER HANDLE STUB
46	0004370	FRONT HANDLE STUB
47	0004384	PAWL ASSEMBLY - 3000 2362
48	1200417	SET SCREW
49	1200436	STRIKER BOLT
50	1203210	STRIKER BOLT NUT
51	1203290	LARGE PAWL NUT

**ITEMS NOT SHOWN**

0004342	CERAMIC HANDLE & SCREW
1600620	CERAMIC SHAFT ONLY
1202420	FELT DOOR PIN WASHER (USED ON ENAMEL STOVES)
1201364	HANDLE PIN (LONG 3 3/4)
1201294	HANDLE PIN (SHORT 3 3/8)
1600650	NUB FOR CERAMIC HANDLE

1401119 GLASS (1)  
1304249 RIGHT GLASS FRAME (CAST)  
1304242 LEFT GLASS FRAME (CAST)  
1600600 HANDLE HOLDER  
1201832 HANDLE ROLL PIN  
1200998 HEAT SHIELD HOLE SCREW  
(10 - 24 X 1/2 PH TRUSS HD)  
1200998 DOOR INSERT & FRAME SCREW  
(10 - 24 X 1/2 PH TRUSS SCREW)

**ENAMEL PARTS**

**\*PREFIX FOR ENAMEL PARTS**

**131 RED**                      **136 GRAY**  
**133 BLUE**

\* 0671 AIR CONTROL (AVAILABLE IN BLUE, GRAY & CLASSIC BLACK ONLY)  
\* 0744 BACK (AVAILABLE IN RED, GRAY & CLASSIC BLACK ONLY)  
\* 0736 BOTTOM (AVAILABLE IN RED, GRAY & CLASSIC BLACK ONLY)  
\* 0841 FLUE COLLAR  
\* 4010 FRONT (AVAILABLE IN RED, GRAY & CLASSIC BLACK ONLY)  
\* 4199 LEFT END (AVAILABLE IN RED, GRAY & CLASSIC BLACK ONLY)  
\* 4183 RIGHT END (AVAILABLE IN RED, GRAY & CLASSIC BLACK ONLY)  
\* 0655 TOP

SOLID DOORS NOT AVAILABLE

**REPAIR KITS**

NA            **BOTTOM KIT**  
(FITS IC, IA, I ONLY)  
(INCLUDES: VIG BOTTOM, TIE  
RODS, CEMENT, PAINT, AND  
INSTRUCTIONS)

**SUBSTITUTE:** 1300736 / 5007498 / 0004470

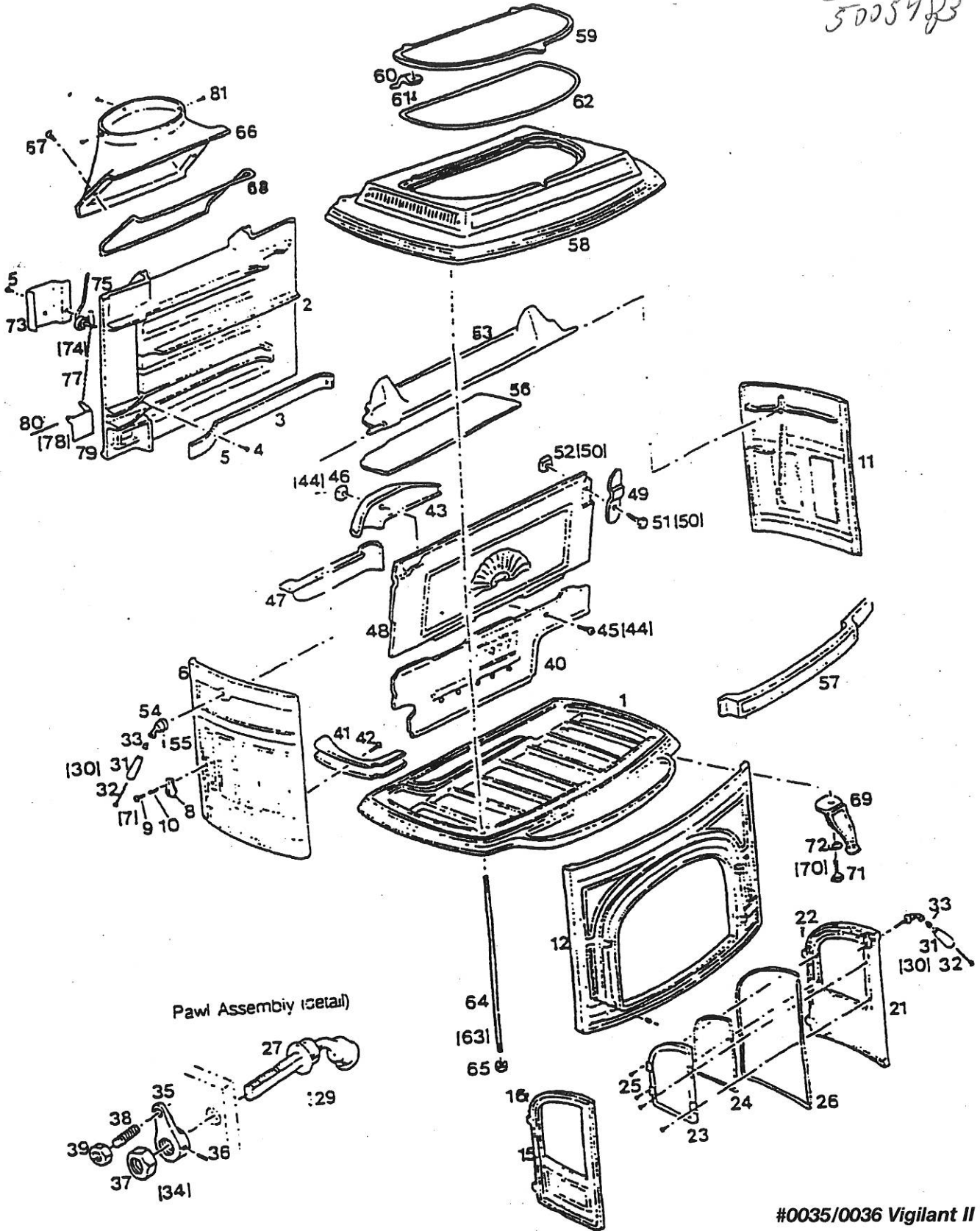
**GASKETS**                      SEE VIGILANT COAL STOVE MODEL 0054 & COAL KIT  
AND SEE GASKETS MATERIALS

**ACCESSORIES**                      SEE VIGILANT COAL STOVE MODEL 0054 & COAL KIT



VIGILANT II MODELS # 0035 & 0036

Thom  
5005423



# Vigilant

**MODEL #'S**                      **0035 & 0036 VIGILANT II**

**FEATURES:**

MANUFACTURED 7/24/84 THROUGH 6/88  
 WRAP AROUND FRONT & TWO PIECE FIREBACK  
 SOME MODELS HAVE SINGLE GLASS WITH CAST FRAMES  
 SOME HAVE DOUBLE GLASS WITH STAINLESS FRAMES  
 SOME HAVE DOUBLE GLASS WITH CLIPS- NO FRAMES

DIAGRAM #	ITEM #	PART DESCRIPTION
1	1304258	BOTTOM
2	1304277	BACK
3	1300787	NIGHT AIR COVER
4	1200889	NIGHT AIR COVER SCREW
5	1304371	CLEAN GLASS PRIM. AIR TUBE (USED WITH DOUBLE GLASS STOVES)
5	1200998	(10 - 24 X 1/2 PH TR SCREW)
6	1304269	LEFT END
8	1300671	SECONDARY AIR COVER
9	1201007	1 - 24 X 3/4 TRS HD PH.
10	1201846	THERMOSTAT TENSION SPRING
11	1304262	RIGHT END
12	1304273	FRONT ONLY
13	5000945	FRONT AND DOORS ASSEMBLED (DOES NOT INCLUDE GLASS)
15	1304224	LEFT DOOR
16	1600546	DOOR PIN
17	1304231	LEFT DOOR CAST INSERT
18	1203560	3 NEEDLE, 1/4" FIBERGLASS/PER FT.
19	1200998	HEAT SHIELD HOLE SCREW
21	1304216	RIGHT DOOR
22	1600546	DOOR PIN
23	1304238	RIGHT DOOR CAST INSERT
24	1203560	3 NEEDLE, 1/4" FIBERGLASS/PER FT.
25	1200998	HEAT SHIELD HOLE SCREW
27	0004370	FRONT HANDLE STUB
30	0004342	CERAMIC HANDLE & SCREW
31	1600620	CERAMIC SHAFT ONLY
32	1201364	HANDLE PIN (LONG 3 3/4)
	1201294	HANDLE PIN (SHORT 3 3/8)

#0035/0036 Vigilant II



## REPLACEMENT PARTS

33	1600650	NUB FOR CERAMIC HANDLE
34	0004384	PAWL ASSEMBLY
36	1200417	SET SCREW
37	1203290	LARGE PAWL NUT
38	1200436	STRIKER BOLT
39	1203210	STRIKER BOLT NUT
40	1304135	LOWER FIREBACK
41	1300872	PRIMARY AIRTUBE
42	1200830	1/4 - 20 X 1 3/4 PH FL HD
43	1300829	COVER PLATE B (AIRHORN)
44	1203329	AIRHORN NUT (1/4 20 SQ NUT)
	1200889	NIGHT AIR COVER SCREW
45	1200848	1/4 - 20 X 2 PH FLA HD
46	1203329	AIRHORN NUT (1/4 20 SQ NUT)
47	1300821	COVER PLATE A (BEHIND FB)
48	1304120	UPPER FIREBACK
49	1304148	DAMPER RETAINER
51	1201374	1/4 - 20 X 3/4 HEX HD CAP
52	1203329	DAMPER RETAINER NUT (1/4 - 20 SQ.)
53	5000992	DAMPER (WITH WELDED PIN)
54	0004355	DAMPER HANDLE STUB
	1200563	DAMPER HANDLE SET SCREW
55	1200417	SET SCREW
56	1300876	SMOKE SHELF
57	<del>NA 5002824</del>	<del>ASH FETTLE COMPLETE (USED WITH DOUBLE GLASS STOVES)</del>
<b>SUBSTITUTE:</b>	1304362 / 1304366 / (2) 1201399 / (2) 1202472 / (2) 1201782	
	1304366	ASH FETTLE BACK ONLY
	1304362	ASH FETTLE FRONT ONLY
	1304023	ASH FETTLE (SINGLE GLASS MODEL)
58	1304251	TOP
59	1300797 <i>fl</i>	GRIDDLE ALONE
60	0004444	GRIDDLE QUADRANT
61	1201338	1/4 - 20 X 1/2 HEX HD CAP
62	1203668	5/16" ARMASEAL/PER FT.
63	5007498	TIE ROD SET
65		TIE ROD NUT
66	1304280	FLUE COLLAR
67	1200907	1/4 - 20 X 1 PH RD HD
68	1203560	3 NEEDLE. 1/4" FIBERGLASS/PER FT.
69	1303225	LEG (1 ONLY)
	5000360	LEGS (SET OF 4)
70	NA	LEG BOLTS SET
<b>SUBSTITUTE:</b>	(4) 1201443	
73	1601487	THERM COVER
75	0004320	THERMOSTAT
76	1201846	THERMOSTAT TENSION SPRING
77	1201960	THERMOSTAT BALL CHAIN (PER FT)

79 NA THERM FLAP WITH EYELET  
**SUBSTITUTE:** 5005410  
 80 1601555 THERM FLAP PIN  
 81 1200998 HEAT SHIELD HOLE SCREW

**ITEMS NOT SHOWN**

1202420 FELT DOOR PIN WASHER  
 (USED ON ENAMEL STOVES)  
 1200055 BUSHING PLUG  
 1303051 ANDIRON (1) DROP IN  
 (USED WITH DOUBLE GLASS MODELS)  
 1401119 GLASS (1)  
 1601392 GLASS CLIPS - LONG  
 (1 USED ON EACH DOOR)  
 1601391 GLASS CLIPS - SHORT  
 (1 USED ON EACH DOOR)  
 5002822 GLASS GASKET WITH WIRE  
 (USED BETWEEN THE DOUBLE GLASS ON EACH DOOR)  
 1600600 HANDLE HOLDER  
 1200983 GLASS CLIPS SCREWS  
 1201832 HANDLE ROLL PIN

**ENAMEL PARTS**

**\* PREFIX FOR ENAMEL PARTS**

**131 RED**                      **136 GRAY**  
**132 SAND**                    **137 CHOCOLATE BROWN**  
**133 BLUE**                     **138 ANTIQUE GREEN**  
**134 MIDNIGHT**              **139 ANTIQUE BROWN**

\* 4277 BACK (N/A IN RED, SAND, BLUE OR MIDNIGHT; SUBSTITUTE; CLASSIC BLACK ONLY)  
 \* 4258 BOTTOM (N/A IN SAND, BLUE OR MIDNIGHT; SUBSTITUTE; CLASSIC BLACK ONLY)  
 \* 4280 FLUE COLLAR  
 \* 4224 LEFT DOOR (N/A IN SAND, BLUE OR MIDNIGHT; SUBSTITUTE; CLASSIC BLACK ONLY)  
 \* 4269 LEFT END (N/A IN SAND, BLUE OR MIDNIGHT; SUBSTITUTE; CLASSIC BLACK ONLY)  
 \* 4216 RIGHT DOOR (N/A IN SAND, BLUE OR MIDNIGHT; SUBSTITUTE; CLASSIC BLACK ONLY)  
 \* 4262 RIGHT END (N/A IN RED, SAND, BLUE OR MIDNIGHT; SUBSTITUTE; CLASSIC BLACK ONLY)  
 \* 0663 SHORT LEGS (1)  
 \* 3224 SHORT LEG (1) (N/A IN RED, BLUE, MIDNIGHT OR ANTIQUE BROWN)

**SUBSTITUTE:** \* 3225 † † (FOR ANTIQUE BROWN SUBSTITUTE: 130-3225 IN CURRENT COLORS ONLY)  
 \* 4251 TOP (N/A IN SAND, BLUE OR MIDNIGHT; SUBSTITUTE: CLASSIC BLACK ONLY)

**VIGILANT FRONTS W/DOORS**

5006553 VIG FRT W/DOORS - GRAY  
NA VIG FRT W/DOORS - SAND

**SUBSTITUTE:** 5000945

NA VIG FRT W/DOORS - BLUE

**SUBSTITUTE:** 5000945

5006555 VIG FRT W/DOORS - ANTIQUE BROWN

5006554 VIG FRT W/DOORS - ANTIQUE GREEN

NA VIG FRT W/DOORS - RED

**SUBSTITUTE:** 5000945

**GASKETS**

SEE VIGILANT COAL STOVE MODEL 0054 & COAL KIT

**ACCESSORIES**

SEE VIGILANT COAL STOVE MODEL 0054 & COAL KIT