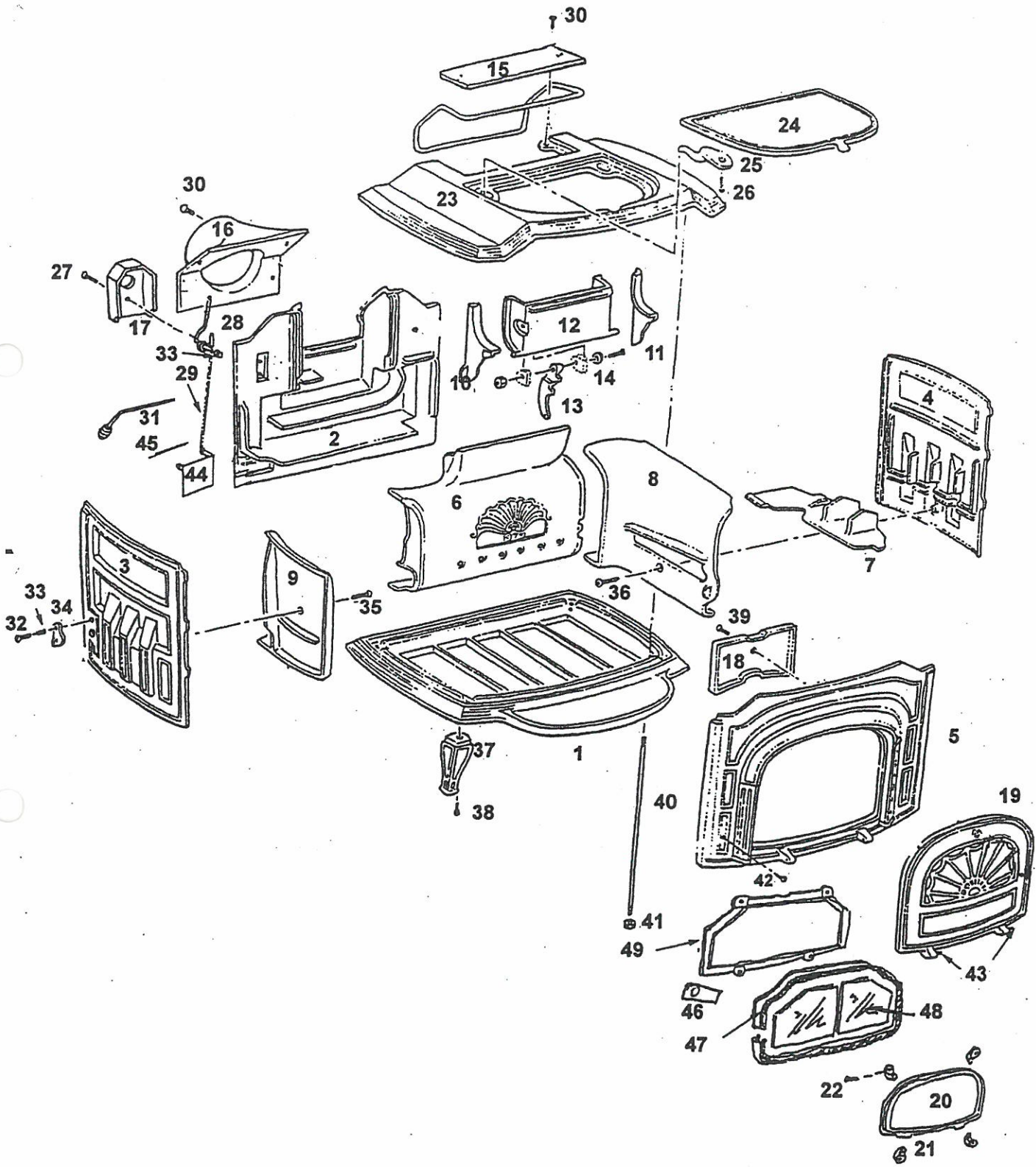


RESOLUTE II & I MODELS # 0042 & 0043



#0043 Resolute III/  
#0042 Resolute II

# Resolute

**MODEL #**

**0043 RESOLUTE II & RESOLUTE I  
0042 RESOLUTE II WITH GLASS PANELS**

**FEATURES:**

**RESOLUTE II** - WAS MANUFACTURED 12/23/81 THROUGH 6/28/83.

IT HAD A GRIDDLE THAT SAT FLUSH WITH THE TOP.

**RESOLUTE I** - MANUFACTURED 3/5/80 THROUGH 6/28/93

GRIDDLE SAT ABOVE THE TOP.

**BOTH** HAVE SINGLE DROP DOWN DOOR, SINGLE PIECE

FIREBACK & THE DAMPER PIVOTED ON LEFT & RIGHT EARS.

DIAGRAM #	ITEM #	PART DESCRIPTION
1	NA-1301522	BOTTOM
2	NA-1301683	BACK
3	NA-1301546	LEFT-END
4	NA-1301554	RIGHT-END
5	NA	FRONT WITH SINGLE DOOR
6	NA	SINGLE FIREBACK
<b>SUBSTITUTE:</b>	0005864	RES III FIREBACK KIT (INCLUDES: UPPER FB & DAMPER, LOWER FB, BOLTS FOR THE FB & BOLTS FOR THE LEFT & RIGHT INSERT)
	0005863	UPPER FB & DAMPER ASSEMBLED
	1301349	UPPER FIREBACK ONLY
	1301600	DAMPER
	1301356	LOWER FIREBACK
	1203118	FIREBACK NUT (1/4 - 20 ACORN)
	1201326	FIREBACK BOLTS (1/4 - 20 X 1 HEX HD CAP)
7	NA-1301589	BAFFLE
8	1301384	RIGHT INSERT
9	1301376	LEFT INSERT
10	NA	LEFT EAR USE FIREBACK KIT #5864
11	NA	RIGHT EAR USE FIREBACK KIT #5864
12	NA	DAMPER USE FIREBACK KIT #5864

**#0043 Resolute III/  
#0042 Resolute II**

13	0005866	ADJUSTABLE CAST LINKAGE (EARLIER MODELS HAD WIRE LINKAGES)
	1201193	12 - 24 X 2 SL RD HD
	1202423	FL WASHER
	1203294	12 - 24 HEX NUT
	1201374	1/4 - 20 X 3/4 HEX HD CS
	1202461	WASHER
14	1201481	DAMPER SCREWS
15	<del>NA-1301670</del>	<del>RES-II FLUE COLLAR EXTENSION</del>
	<del>NA-1301414</del>	<del>RES-I FLUE COLLAR EXTENSION</del>
16	<del>NA-1301668</del>	<del>RES-II FLUE COLLAR (ROUND)</del>
	<del>NA-1301481</del>	<del>RESOLUTE I FLUE COLLAR</del>
17	<del>NA-1301449</del>	<del>THERMOSTAT COVER</del>
18	<del>NA-1301453</del>	<del>DOOR HANDLE HEAT SHIELD</del>
19	<del>NA</del>	<del>SINGLE DOOR</del>
20	<del>NA-1301473</del>	<del>DOOR INSERT</del>
21	<del>NA</del>	<del>DOOR INSERT CLAMP (CAST INTO DOOR PANEL NOT SEPARATE ANYMORE)</del>
22	<del>NA</del>	<del>DOOR CLAMP SCREW</del>
23	1301406	RESOLUTE I TOP PLATE
	<del>NA</del>	<del>RESOLUTE II TOP</del>
24	<del>NA</del>	<del>RESOLUTE II GRIDDLE</del>
	<del>NA</del>	<del>RESOLUTE I GRIDDLE</del>
25	0004444	QUADRANT
26	1201338	1/4 - 20 X 1/2 HEX HD CAP
27	1201010	10 - 24 X 1 1/2 TRS PH
28	0004333	THERMOSTAT
29	1201960	THERM BALL CHAIN (PER FT)
30	1200493	1/4 - 20 X 5/8 SOCKET FL HD
31	1600820	DAMPER HANDLE
32	1201007	1/2 - 24 X 3/4 TRS HD PH
33	1201846	TENSION SPRING
34	1300671	SECONDARY AIR CONTROL COVER
35	1200881	LEFT INSERT SCREW
36	1200848	1/4 - 20 X 2 PH FL HD
37	<del>NA-1301503</del>	<del>LEG (1 ONLY)</del>
	<del>NA-5002033</del>	<del>LEGS (SET OF 4)</del>
38	0005807	LEG BOLTS (SET)
39	1200998	1/4 - 20 X 1/2 PH HD
40	5007499	TIE ROD SET
	1601640	RODS ONLY
41	1203210	NUT, HEX HEAD 1/4 - 20
42	1200055	SHAKER HOLE SCREW (THREADED)
43	1600546	DOOR PIN
44	5005423	THERMOSTAT FLAP W/EYELET
45	1601576	FLAP WIRE
46	1601396	GLASS CLIP-LONG
47	7000909	GLASS GASKET
48	1401136	GLASS
49	<del>NA-1301418</del>	<del>GLASS FRAME</del>



**ITEMS NOT SHOWN**

0004384 PAWL ASSEMBLY  
 1200436 STRIKER BOLT (1/4 - 20 X 1 SS SOC)  
 1203290 LARGE PAWL NUT (3/8 - 16 JAM NUT)  
 1200417 SET SCREW (1/4 - 20 X 1/4 SOC)  
 1203210 STRIKER BOLT NUT (1/4 - 20 HEX NUT)  
 1303051 ANDIRON (1)  
 1200998 HEAT SHIELF HOLE SCREW (10 - 24 X 1/2 PH TRUSS)  
 NA THERMOSTAT FLAP WITH EYELET  
**SUBSTITUTE** 1601519/1201985/1201972  
 NA ASH FETTLE  
**SUBSTITUTE** 1301779/1301773/1301784/ (2) 1303051/ (2) 1301782 / (2) 1201393 / (2) 1202472  
 000 4377 D-HANDLE  
 1600662 WOOD PART ONLY D HANDLE

**REPAIR KITS**

NA **FRONT, DOOR, GLASS KIT**  
 (INCLUDES: RES II FRONT WITH DOORS MOUNTED, GLASS INSTALLED,  
 TIE RODS, CEMENT, PAINT HANDLE & INSTRUCTIONS)  
 0005864 **FIREBACK KIT**  
 (INCLUDES: UPPER & LOWERE FIREBACKS & DAMPER, BOLTS FOR THE  
 FIREBACKS & BOLTS FOR THE LEFT AND RIGHT INSERTS)

**GASKETS**

BELOW IS A LIST OF THE TYPE OF GASKET AND THE LENGTH NEEDED ON THE RESOLUTE

LOCATION	GASKET SIZE	QUANTITY NEEDED	PART NUMBER
LEFT DOOR	5/16" FIBERGLASS/NDLE MED DENS	2.0'	1203588
LFT DR GLASS	3/16" FIBERGLASS	1.75'	1203556
RIGHT DOOR	5/16" FIBERGLASS/NDLE MED DENS	3.0'	1203588
RT DR GLASS	3/16" FIBERGLASS	1.75'	1203556
GRIDDLE	5/16" ARMASEAL	3.25'	1203668
FLUE COLLAR	1/4" FIBERGLASS	3.0'	1203560

#0043 Resolute III  
 #0042 Resolute II

