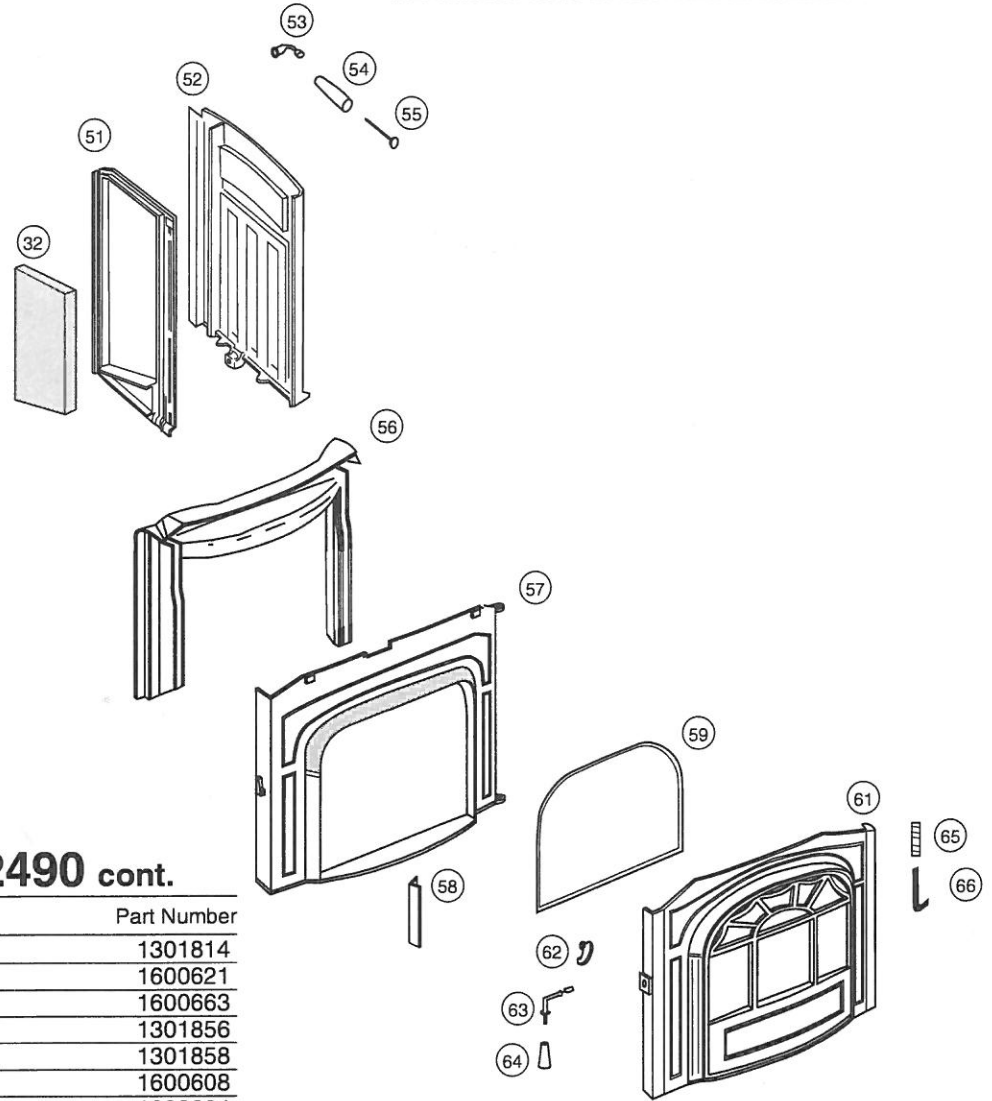


Resolute Acclaim 2490

Item/Model Number	Part Number	Item/Model Number	Part Number
1. FLUE COLLAR	1301816	20. SEALING PLATES (2)	1301859
2. BACK	1301860	21. ARCH BRICK RETAINER	1600154
3. DAMPER ROD	1600853	22. LEFT ARCH BRICK	1600151
4. SPACER	1201780	23. RIGHT ARCH BRICK	1600152
5. WASHER - 3/8"	1202488	24. REAR GRATE	1301851
6. DAMPER RAMP	1301811	25. FRONT GRATE	1301852
7. DAMPER TAB	1601488	26. PIT PLATE	1301804
8. DAMPER	1301829	27. ANDIRON (2)	1301806
9. UPPER FIREBACK	1301805	28. TIE ROD (4)	5007499
10. FLUE COLLAR EXTENSION	1301817	29. LEFT END	1301857
11. LEFT GRIDDLE QUAD	1301807	30. ASH PAN	5005775
12. GRIDDLE	1306356	31. LEFT INNER SIDE	1301855
13. RIGHT GRIDDLE QUAD	1301832	32. SIDE FIREBRICK (2)	1600153
14. GRIDDLE HANDLE STUB	1600881	33. LEFT SHOULDER PLATE	1301863
15. GRIDDLE KNOB	1600661	34. LEG (4)	1301833
16. BUSHING	1201900	35. PACKAGE SUPPORT PLATE	1301809
17. GRIDDLE HANDLE SCREW	1201308	36. BOTTOM	1301854
18. TOP	1301862	37. RIGHT SHOULDER PLATE	1301864
19. COMBUSTION PACKAGE	1602497	38. ASHLIP	1301819
		40. [Tool]	
		41. [Tool]	



Resolute Acclaim 2490 cont.

Item/Model Number	Part Number
39. AIR VALVE	1301814
40. AIR VALVE SHAFT	1600621
41. AIR VALVE HANDLE	1600663
51. RIGHT INNER SIDE	1301856
52. RIGHT END	1301858
53. DAMPER HANDLE STUB	1600608
54. DAMPER HANDLE	1600664
55. DAMPER HANDLE SCREW	1201310
56. AIR MANIFOLD	1301803
57. FRONT	1301861
58. GLASS RETAINER (2)	1601399
59. GLASS	1401120
61. DOOR	1301865
62. DOOR HOOK	1600155
63. DOOR HANDLE SHAFT	1600623
64. DOOR HANDLE	1600663
65. COMPRESSION SPRING	1600551
66. UPPER DOOR PIN	1600550
67. DAMPER	1301829
68. DAMPER RAMP	1301811
69. GRIDDLE HANDLE STUB	1301812
70. UPPER FIREBACK ASSEMBLY	5000336
71. ASHPAN	5005775
72. BOTTOM HINGE PIN	1600419
73. C-CLIP	1600553
74. COMBUSTION PACKAGE	1602497
75. DAMPER HANDLE W/ SCREW	5004265
76. DOOR HANDLE	1600600
77. GLASS	1401120
78. GLASS RETAINER	1601399
79. HANDLE INSERT	1600650
80. LATCH SPRING	1201843
81. SCREEN (OPTIONAL)	0000133
82. TIE ROD SET	5007499

Resolute Acclaim 2490 cont.

Item/Model Number	Part Number
*Use the following prefixes for Enamel Parts: 232 - Red 132 - Sand 133 - Blue 134 - Midnight 231 - Green	
FLUE COLLAR	*1816
FLUE COLLAR EXTENSION	*1817
ASHLIP	*1819
LEG	*1833
LEFT END	*1857
RIGHT END	*1858
TOP	*1862
DOOR	*1865
CERAMIC HANDLE COMPLETE	0004342
CERAMIC HANDLE - SCREW ONLY	1201294
CERAMIC HANDLE - CERAMIC PART ONLY	1600620

Warming Shelf*

SHELF ONLY	1302211
PLAIN BRACKET	1302223
DRAGON BRACKET	1302200
HARDWARE PACKAGE	5007230
MITTEN RACK	1601705

*For Enamel Shelf Parts use the same prefixes shown under the Enamel Parts (above) in place of the 130 number.

Resolute Acclaim 2490 cont.

Item/Model Number	Part Number	Item/Model Number	Part Number
Hardware			
10-24 X 1/2 HEX HEAD BOLT (BOTTOM)	1201322	1/4-20X3/4" SOCK HD CAP SCREW (DAMPER TAB)	1200461
3/8" -16 X 1" HEX HEAD BOLT (4-LEGS)	1201432	1/4" NARROW FL WASHER (3-DOOR CATCH)	1202475
3/8" WASHER (4-LEG BOLTS, DAMPER ROD)	1202488	1/4" STD FL WASHER (2-FLUE COLLAR, 2-FLUE COLLAR EXTENSION)	1202474
1/4"-20X1" HEX HEAD BOLT (4-LEG LEVELER)	1201745	8-32X1" SLOT PAN HD SCREW (GRIDDLE HANDLE)	1201308
1/4"-20X1-1/4" HEX HEAD BOLT (PRIMARY AIR VALVE)	1201378	1/4-20X3" SLOT PAN HD SCREW (DAMPER STUB)	1201310
1/4X1" FLAT WASHER (PRIMARY AIR VALVE)	1202472	1/4-20 FLEX LOCK HEX NUT (4-TIE RODS)	1203213
FRICTION SPRING (PRIMARY AIR VALVE)	1201846	1/4-20 X 5/8 HEX HEAD CAP SCREW (2-FLUE COLLAR, 2-FLUE COLLAR EXTENSION)	1201372
1/4-20 HEX NUT (PRIMARY AIR VALVE, 2- DAMPER RAMP, 2-ENDS)	1203210	1/4-20 X 3/4 #304 SS HEX HEAD CS (2-SEALING PLATE)	1201381
1/4-20X1/2" HEX HEAD BOLT (DAMPER RAMP, PIT PLATE, 2-QUADS, 2-PACKAGE SUPPORTS, 2-DAMPER TABS)	1201338	1/4 FLAT WASHER (2-SEALING PLATE)	1202471
10-24X1/2" PH TRUSS HD SCREW (BACK, RAMP SPRING, GRID HANDLE, 4-HEAT SHIELD, FRONT DOOR CLIP)	1200996	1/4-20 X 1HEX HEAD CAP SCREW (2-ENDS)	1201376
1/4-20X1/2" HEX HEAD BOLT (BACK SUPPORT PKG)	1201345	3/8-16 TOP LK JAM HEX NUT (DOOR LATCH-LOCK FACES THE LATCH)	1203290
1/4-20X1" SOC SET SCREW (DAMPER ADJUSTER)	1200436	5/16-18 X 5/16 SOCKET SET SCREW (DAMPER LEVER)	1200563
1/4-20X1 PHIL LF HD CAP SCREW (DAMPER RAMP, PIT PLATE)	1200809	Accessories	
1/4-20X3/4" HEX HEAD BOLT (2-UPPER FIREBACK, 2-ASHLIP)	1201374	Heat Shields	
1/4" FLAT WASHER (2-UPPER FIREBACK, 2-ASHLIP, 4- ENDS, GRIDDLE HANDLE)	1202473	HARDWARE PACKAGE REAR & BOT HS	0005834
1/4-20X2" HEX HEAD BOLT (2-AIR MANIFOLD)	1201392	1.25 SPACER (1)	1601755
5/16 - 18 HEX JAM NUT (HINGE PIN)	1203279	INSTRUCTIONS	2002966
10-24X3/8" PH PAN HD SCREW (4-GLASS CLIPS)	1200984	Outside Air Kit	
		OUTSIDE AIR DUCT FLANGE	1403011
		OUTSIDE AIR DUCT BODY	1403012
		2" SPACER (4 USED)	1601756
		INSTRUCTIONS	2004021
		#10 X 1/2 PH PAN HD SMS (2 USED)	1202058

Gaskets

Below is a list of the type of gasket and the length needed on the Acclaim.

Location	Gasket Size	Quantity Needed	Part Number
UPPER FB (DAMPER OPENING)	5/16 FIBERGLASS MEDIUM DENSITY	3'	1203588
TOP (UPPER FIREBACK) (GRIDDLE)	5/16 FIBERGLASS WITH WIRE	1.66' 3.4'	1203668
DOOR (OUTER EDGE) (GLASS)	1/2 FIBERGLASS LOW DENSITY 3/16 FIBERGLASS	5.75' 3.8'	1203564 1203556
FLUE COLLAR	5/16 ADHESIVE BACKED GASKET	3'	1203591
BACK	5/16 FIBERGLASS MEDIUM DENSITY	3.20'	1203588
FIREBACKS	5/16 FIBERGLASS MEDIUM DENSITY	3'	1203588

Majestic reserves the right to make changes in design, materials, specifications, prices and discontinue colors and products at any time, without notice.

THE
MAJESTIC
PRODUCTS COMPANY

475 Admiral Blvd. • Mississauga, Ontario, Canada L5T 2N1 • 905-670-7885
1000 East Market St. • Huntington, IN 46750 USA • 219-356-8000
<http://www.majesticproducts.com>