

0970

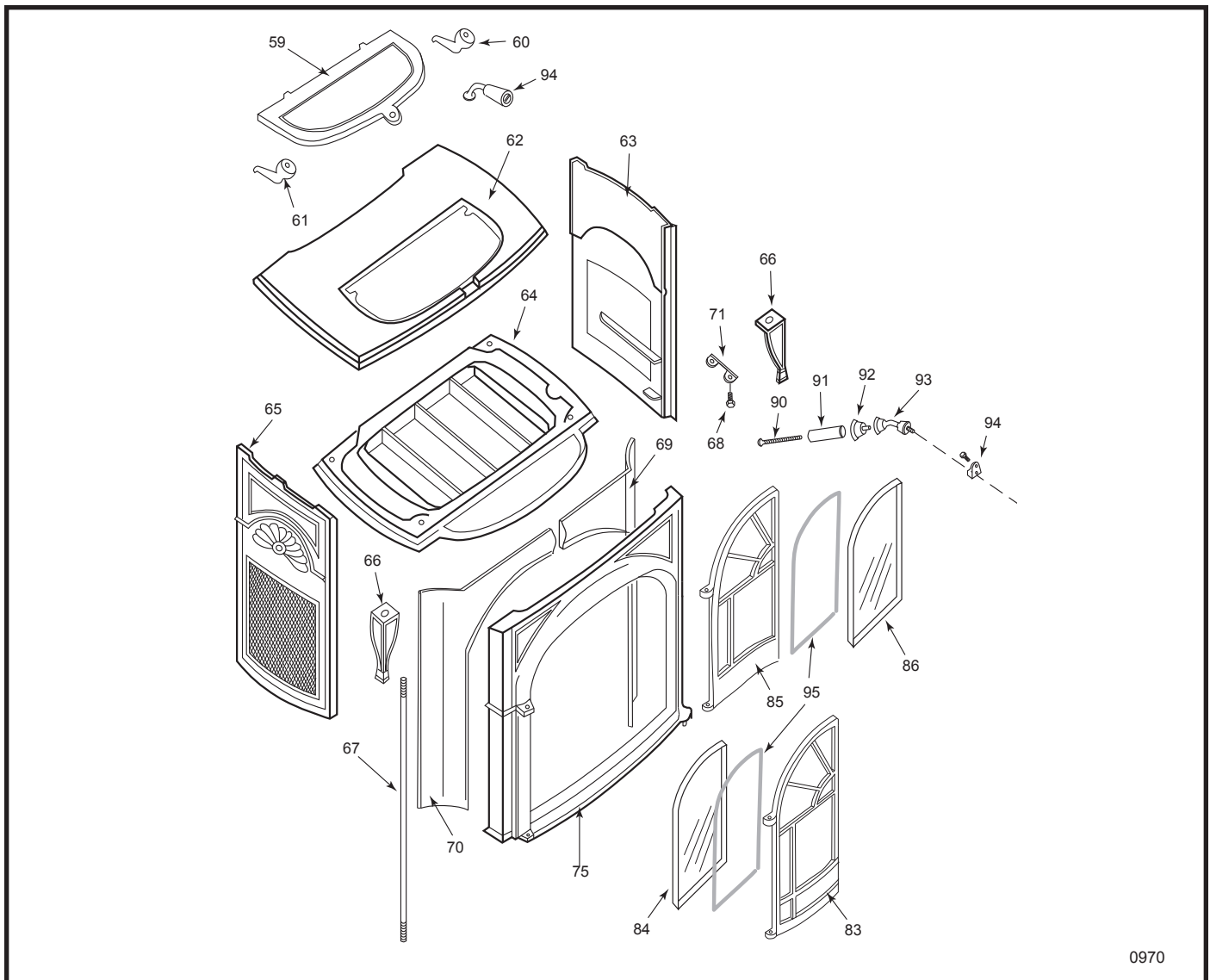
MHSC reserves the right to make changes in design, materials, specifications, prices and discontinue colors and products at any time, without notice.

Intrepid Multi-Fuel Heater

Model 1695CE

Item Description	Part Number
1. Rear Cover (Sec. Air Cover)	1306762
2. Flue Collar	1306561
3. Back Panel	1308662
4. Damper Rod	1602523
5. Damper D-plate (Damper Clip)	1306725
6. Damper	1306701
7. Damper Housing	1306702
8. Throat Hood	30001649
9. Weld Screw	1201583
10. Upper Firebrick	1306703
11. Fireback Clamp	1306724
12. 3/8" - 16 x 1 1/2" Hex Bolt	1201456
13. Lower Fireback	1306704
16. Rear Air Tube	1308658
20. Thermostat Cover	1306711
21. Damper Handle Stub	30002720
22. Friction Spring	1201846

Item Description	Part Number
23. Thermostat Assy	5005506
24. Thermostat Clip	1601408
25. Ball Chain Fitting (2)	1201972
26. Ball Chain	1201960
Jump Ring	1201985
27. Primary Air Flap	1306710
28. Air Flap Pin	1601551
29. Clip	1601396
30. #10-24 x 3/8" Pan Head Bolt	1200983
35. Cover Plate	1608955
45. Side Brick	1608953
46. Brick Clip	1608956
47. Flue Deflector	1401158
49. Front Grate	1308659
50. Left Insert	1308661
51. Grate	1308652
52. Right Insert	1308660



0970

MHSC reserves the right to make changes in design, materials, specifications, prices and discontinue colors and products at any time, without notice.

Intrepid Multi-Fuel Heater Model 1695CE (continued)

Item Description	Part Number
53. Ashpan	1400951
54. Ashpan Front	1306493
55. Ashpan Handle	30000973
56. Damper Tab	1601488
57. Slicer/poker	5005708
59. Griddle	1306356
60. Right Griddle Quad	1301832
61. Left Griddle Quad	1301807
62. Top	See Chart Pg. 24
63. Right Side	See Chart Pg. 24
64. Bottom	1306764
65. Left Side	See Chart Pg. 24
66. Leg	See Chart Pg. 24
67. Tie Rod	1601640
68. Leg Bolt, 3/8"-16 x 1" Hex Bolt	1201432

Item Description	Part Number
69. Right Air Manifold	1308654
70. Left Air Manifold	1308653
71. Handle Holder	1600600
75. Front	See Chart Pg. 24
83. Left Door	See Chart Pg. 24
84. Left Glass Panel ²	1401157
85. Right Door	See Chart Pg. 24
86. Right Glass Panel ²	1401156
90. Handle Bolt, 1/4"-20 x 3 3/8"	1201294
91. Ceramic Handle	1600620
92. Handle Insert	30002714
93. Front Door Handle	30002719
94. Griddle Handle Assy	30002775
95. Glass Gasket	1203556

Intrepid Multi-Fuel Heater

Model 1695CE (continued)

Shell Enamel Parts - Intrepid Multi-Fuel Model 1695CE			
Part Name	Classic	Green	Red
Top	1308657	2318657	2328657
Bottom	1306764	2316764	2326764
Left Side	1308656	2318656	2328656
Front	1308647	2318647	2328647
Left Door	1308649	2318649	2328649
Right Door	1308648	2318648	2328648
Single Leg	1306333	2316333	2326333

1. In the diagrams and throughout this manual, 'left' and 'right' mean as you face the stove.
2. The glass panels have a heat-reflective coating on the outside and are not interchangeable.
3. Hardware in this stove is in standard U.S. (inch) sizes. Most hardware items are available at local hardware stores.