

0966 / 802

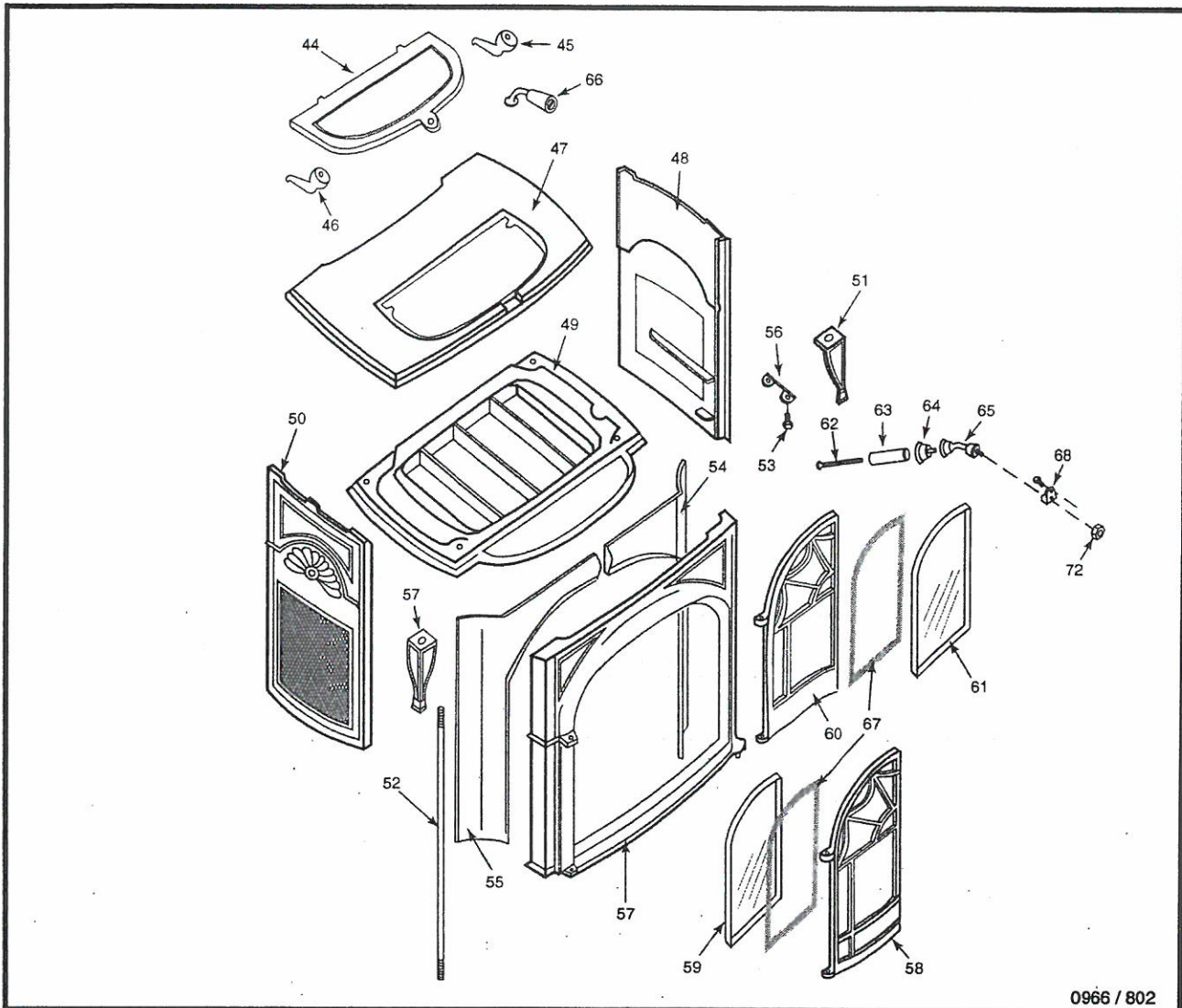
Vermont Castings, Majestic Products reserves the right to make changes in design, materials, specifications, prices and discontinue colors and products at any time, without notice.

# Intrepid II Woodburning Stove

## Model 1990 - 1995

Item Description	Part Number
1. Secondary Air Cover	1306762
2. Flue Collar	See Chart Pg. 31
3. Back Panel	1308662
4. Damper Rod	1602523
5. Damper Clip	1306725
6. Damper	1306701
7. Damper Housing	1306702
8. Throat Hood	30001649
9. Weld Screw	1201583
10. Upper Fireback	1306703

Item Description	Part Number
11. Fireback Clamp	1306724
12. 3/8" - 16 x 1 1/2" Hex Bolt	1201456
13. Lower Fireback	1306704
15. Rear Air Tube	1308658
16. Thermostat Cover	1306711
17. Damper Handle Assembly	5004265
18. Friction Spring	1201846
19. Primary Thermostat Assembly	1601420
20. Thermostat Clip	1601408
21. Ball Chain Fitting (2)	1201972



0966 / 802

Vermont Castings, Majestic Products reserves the right to make changes in design, materials, specifications, prices and discontinue colors and products at any time, without notice.

## Intrepid II Woodburning Stove

### Model 1990 (continued)

Item Description	Part Number
22. Ball Chain	1201960
22a. Thermostat Assembly	5005506
22b. Thermostat Assy w/ Friction Spring	0004334
23. Primary Air Flap	1306710
24. Air Flap Pin	1601551
25. Clip	1601396
26. #10-24 x 3/8" Pan Head Bolt	1200983
27. #10-24 x 1/4" Pan Head Bolt	1200980
28. Secondary Probe Assembly	1601489
29. Secondary Air Link	1601486
30. Phillips Bolt, 1/4"-20 x 5/8"	1200896
31. Shim Ring	1201986

Item Description	Part Number
32. Secondary Air Flap	1601490
33. Refractory Chamber w/ Access Panel	1602527
34. Catalyst Block	30001153
35. Refractory Access Panel	1602516
36. Andiron	1306717
37. Left Insert	1308651
38. Grate	1308652
39. Right Insert	1308650
40. Ashpan Only	1400951
41. Ashpan Front Only	1306493
42. Ashpan Handle	30000973
43. Damper Tab	1601488

## Intrepid II Woodburning Stove

Model 1990 (continued)

Item Description	Part Number
44. Griddle	1306356
45. Right Griddle Quad	1301832
46. Left Griddle Quad	1301807
47. Top	See Chart Below
48. Right Side	See Chart Below
49. Bottom	See Chart Below
50. Left Side	See Chart Below
51. Leg	See Chart Below
52. Tie Rod	1601640
53. Leg Bolt, 3/8"-16 x 1" Hex Bolt	1201432
54. Right Air Manifold	1308653
55. Left Air Manifold	1308654
56. Handle Holder	1600600
57. Front	See Chart Below
58. Left Door	See Chart Below

Item Description	Part Number
59. Left Glass Panel <sup>2</sup>	1401157
60. Right Door	See Chart Below
61. Right Glass Panel <sup>2</sup>	1401156
62. Handle Bolt, 1/4"-20 x 3/8"	1201294*
63. Ceramic Handle	1600620*
64. Handle Insert	1600650*
65. Front Door Handle	5004245
66. Griddle Handle Assembly	0004357
67. Gasket, Fiberglas 3/16" 4nd, Blk	1203556
68. Latch Assembly	5004025
69. Glass Clips, Bottom	30000832
70. Glass Clips, Side	30000833
71. Glass Clips, Top	30000834
72. Nut, Jam	1203290
73. Ashpan Assembly	5003522

\* Included in 0004342 Ceramic Handle Assy.

Shell Enamel Parts - Intrepid II Model 1990						
Part Name	Classic	Green	Moonlight	Sand	Red	Blue
Top	1308657	2318657	2378657	1328657	2328657	1338657
Bottom	1306764	2316764	2376764	1326764	2326764	1336764
Left Side	1308656	2318656	2378656	1328656	2328656	1338656
Right Side	1308655	2318655	2378655	1328655	2328655	1338655
Flue Collar	1306561	2316561	2376561	1326561	2326561	1336561
Front	1308647	2318647	2378647	1328647	2328647	1338647
Left Door Only	1308649	2318649	2378649	1328649	2328649	1338649
Right Door Only	1308648	2318648	2378648	1328648	2328648	1338648
Single Leg	1306333	2316333	2376333	1326333	2326333	1336333

### Gaskets

1203588	5/16" Medium Density 6ND Gasket 5' Doors 2.25' Damper Housing for Damper
1203560	1/4" Low Density 3ND Gasket 2' Damper Housing 1.5' Lower Fireback 4' Back (Inner) for Firebacks
1203668	5/16" Gasket Wire Fiberglass W/Core 3.6' Top for Griddle
1203591	5/16" Adhesive Backed Gasket 2.5' Flue Collar
1203556	Gasket, Fiberglas 3/16" 4nd Blk 1 Each Glass

### Packed Inside the Stove (Stove Bag - 0005936)

0004357	Griddle Handle Complete
1600658	Griddle Handle Stub
1600661	Griddle Handle Wood Knob
1201900	Griddle Bushing
1201308	Griddle Handle Wood Handle Screw
1203210	Griddle Handle Wood Handle Nut

1201432	3/8-16 x 1" Zinc Hex Head Cap Screw
1202488	Washer, Flat 3/8 Zind .442 id x 1 od
1600600	Holder, door Fallaway Handle
1205116	Allen Wrench, 1/8" Short Arm
1205147	Allen Wrench, 5/32" Short Arm
0004342	Complete Handle Package
1202061	#10 x 3/4" Black Phillips PanHead Sheet Metal Screw
2000966	Intrepid II Manual

### Accessories

#### Heat Shield

1601755	1 1/4" Spacer Used on Rear
0005834	Spacer Hardware Kit - Set of 4 (1601755)
1201621	Wing Screw for Bottom HS
1204015	C-Clip for Bottom HS
0005802	Hardware Kit for Bottom HS includes 4 (1204015) and 4 (1201621)

#### Warming Shelf

1302272	Bracket (use color code in place of "130" for porcelain)
1302254	Shelf Alone (use color code in place of "130" for porcelain)
1601705	Mittenrack
30000967	Hardware Package

## Intrepid II Woodburning Stove

### Model 1990 (continued)

#### Hardware

1200563	5/16-18 x 5/16 Socket Set Screw (1-damper handle)	1201960	Ball Chain, #6 Nickel (1'-primary air thermostat assembly)
1200434	1/4-20 x 3/4" Knurl Cup Socket Screw (1-damper adjuster)	1202560	Washer, 3/8 Narrow (2-lower fireback clamp)
1203210	Nut, Hex 1/4-20 Plain (1-damper ramp)	1203130	3/8-16 Acorn Nut (On stove back - 1-damper housing, 1-lower fireback, 2-upper fireback)
1200815	1/4-20 x 1 1/2" Phillips Flat Head Screw (2-front air manifolds)	1203161	Nut, Hex Head 3/8-16 Standard (1-damper housing handle side)
1200895	10-24 x 3/8" Black Phillips Pan Head Screw (1-lower fireback)	1201529	1/4-20 x 5/8" Socket But Head Cap Screw (1-damper ramp)
1200896	1/4-20 x 5/8" Phillips Round Head Screw (2-secondary air cover)	1201583	3/8-16 x 1" Black Weld Screw (3-damper housing, 1-lower fireback)
1200900	1/4-20 x 3/4" Black Phillips Round Head Screw (1-hold both manifolds to front)	1201899	Hole Plug, 5/16" TRW#51034 (1-thermometer hole in back)
1200901	1/4-20 x 3/4" Nickel Phillips Round Head Screw (2-flue collar to back)	1201972	Fitting, Ball Chain (1-ball chain to jump ring on thermostat, 1-ball chain to air flap)
1200980	10-24 x 1/4" Phillips Pan Head Screw (2-secondary air probe, 1-glass clip cement channel)	1201985	Ring, Jump Small Plated (1-ball chain fitting primary air thermostat, 4-door pins on porcelain units)
1200983	10-24 x 3/8" Zinc Phillips Pan Head Screw (1-primary air flap clip to back, 5-glass clips to right door, 5-glass clips to left door)	1201986	Ring, Shim - 18 Ga Nickel (1-secondary air flap)
1200993	1/4-20 x 3/8" Black Phillips Pan Head Screw (2-ashpan handle to ashpan assembly)	1202423	Washer, Zinc Flat #10 SAE .218 id x .5 od (1-thermostat)
1200995	1/4-20 x 2" Zinc Phillips Pan Head Screw (2-thermostat cover to back)	1202474	Washer, Zinc 1/4 Flat .131 id x .742 os (1-holds both manifolds to front)
1200998	10-24 x 1/2" Phillips Truss Head Screw (4-heat shield holes in back)	1202475	Washer, 1/4 Narrow Flat .275 id x .5 od (1-damper ramp)
1201152	3/8-16 x 1/2" Zinc Slotted Round Head Screw (4-leg bolt hole fillers)	1202906	Rivet, Pop 1/8 Dia x 1/8" Grip Zinc (4-safety label)
1201338	1/4-20 x 1/2" Black Hex Head Cap Screw Gr 5 (1-each griddle quadrant, 2-damper tabs to upper fireback)	1202907	Rivet, Pop 1/8 Dia x 5/16" Grip (4-ashpan front to pan, 1-primary air ball chain fitting to air flap)
1201432	3/8-16 x 1" Zinc Hex Head Cap Screw (4-legs)	1203213	Nut, Hex Head 1/4-20 Flex Lock (4-tie rods)
1201456	3/8-16 x 1 1/2" Zinc Hex Head Cap Screw (2-lower fireback clamp)	1203290	Nut, Jam Large Hex (1-door shaft for pawl assembly)
1201846	Spring, Friction (1-thermostat assembly to stove back)	1600535	Pin, Door Hinge 3/16 x 3/4" Nickel (2-right door, 2-left door)
		1601551	Pin, 1/8 x 1 1/2" Stainless Steel (1-air flap to back)
		1601396	Clip (1-air flap pin to back)