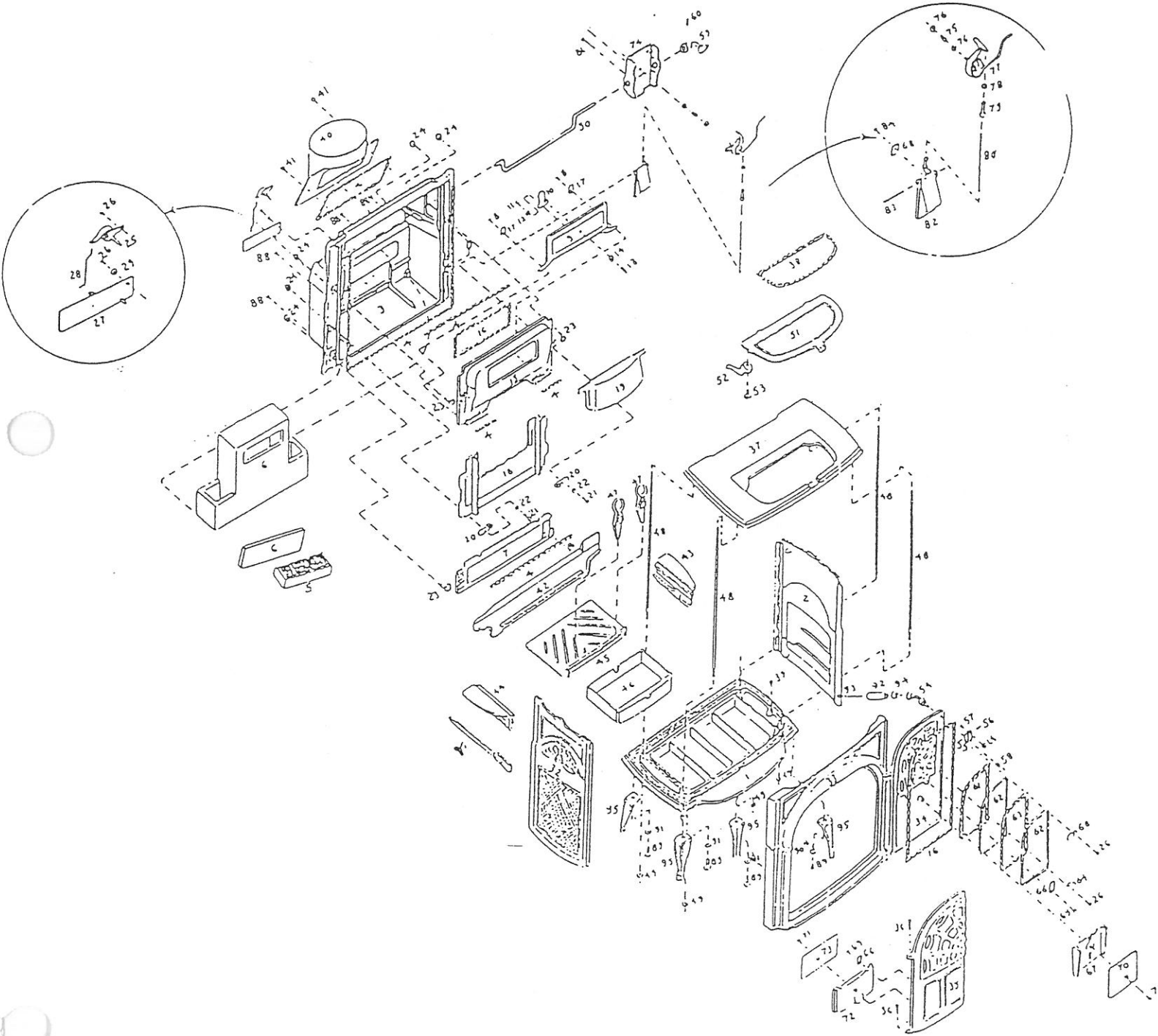




VERMONT
CASTINGS

REPLACEMENT PARTS

INTREPID II MODEL # 1308





Intrepid II

MODEL # 1308 INTREPID II 1990 MODEL

FEATURES: MANUFACTURED 4/90 THROUGH 12/28/94
 HAS A WARNOCK HERSEY TESTING LAB. LABEL,
 FROM 1990 THROUGH JUNE 1992 THE DOORS HAD DOUBLE
 GLASS PANES IN EACH DOOR- AFTER JULY 1992 THE DOORS HAD
 A SINGLE PANE OF IR COATED GLASS IN EACH DOOR.
 CATALYST IS ACCESSIBLE FROM THE INSIDE OF THE STOVE ONLY.

DIAGRAM #	ITEM #	PART DESCRIPTION
1	NA	BOTTOM
	SUBSTITUTE: 1306764	
2	1306723	RIGHT END
3	1306767	BACK
	1306762	SECONDARY AIR COVER
4	1203556	3/16" FIBERGLASS GASKET (PER FOOT)
5	1602521	CATALYST
6	1602527	REFRACTORY ASSEMBLY (INCLUDES ACCESS PANEL)
	1602516	REFRACTORY ACCESS PANEL ONLY
7	1306704	LOWER FIREBACK
8	1200895	1/4 - 20 X 1/2" PH RD HD MACHINE SCR
9	1306701	DAMPER
	5004609	DAMPER ASSEMBLY
10	1306725	DAMPER D PLATE
11	1201529	1/4 - 20 X 5/8" SOCKET BUT HD CAP SCR
12	1202475	1/4 FLAT WASHER
13	1200434	1/4 - 20 X 3/4" KNURL CUP SOCKET SCR
14	1203210	1/4 - 20 HEX NUT
15	1306702	DAMPER HOUSING
16	1203588	5/16" FIBERGLASS GASKET (PER FOOT)
17	1601488	DAMPER TAB
18	1306703	UPPER FIREBACK
19	1306763	THROAT HOOD
20	1306724	LOWER FIREBACK CLAMP
21	1201456	3/8 - 16 X 1 1/2 HEX HD CAP SCREW
22	1202560	3/8 NARROW WASHER
23	1201583	3/8 - 16 X 1 BL OX



24	1203130	3/8 - 16 ACORN NUT
25	1601489	SECONDARY PROBE ASSEMBLY
26	1200980	10 - 24 X 1/4 PH PAN HD SCREW
27	1601490	SECONDARY AIR FLAP
28	1601486	SECONDARY AIR LINK
29	1201986	SHIM RING
31	1201899	5/16" HOLE PLUG
32	1306709	LEFT END
33	NA	<i>FRONT WITH DOORS-DOUBLE GLASS</i>
SUBSTITUTE:	5004608	<i>FRONT WITH DOORS- SINGLE GLASS</i>
34	NA	<i>RIGHT DOOR- DOUBLE GLASS</i>
SUBSTITUTE:	1306765	<i>RIGHT DOOR- SINGLE GLASS</i>
35	NA	<i>LEFT DOOR- DOUBLE GLASS</i>
SUBSTITUTE:	1306766	<i>LEFT DOOR -SINGLE GLASS</i>
36	1600535	DOOR PIN
	1202420	FELT DOOR PIN WASHER
37	NA	<i>TOP</i>
38	1203668	5/16" GASKET WITH WIRE (PER FOOT)
39	1600561	SHAKER HOLE PLUG
40	1306561	FLUE COLLAR
41	1200901	1/4 - 20 X 3/4" PH RD HD MACHINE SCR
42	1306706	REAR AIRTUBE
43	1306713	RIGHT AIRTUBE
44	1306714	LEFT AIRTUBE
45	1306712	BOTTOM GRATE
46	1400950	ASH PAN
	1306492	<i>ASH PAN COVER</i>
SUBSTITUTE:	1306493	
47	1306717	ANDIRON
48	5007499	TIE RODS
49	1203211	TIE ROD NUT
50	1602523	DAMPER ACTUATOR ROD
51	1306356	GRIDDLE
52	1301832	LEFT QUADRANT
52	1300807	RIGHT QUADRANT
53	1201338	1/4 - 20 X 1/2 HEX HD CAP SCREW
54	0004370	FRONT HANDLE STUB
55	0004384	PAWL ASSEMBLY
56	1200417	SET SCREW
57	1200436	STRIKER BOLT
58	1203290	LARGE PAWL NUT
59	0004355	DAMPER HANDLE STUB
60	1200563	DAMPER HANDLE SET SCREW
61	1203556	3/16" FIBERGLASS GASKET (PER FOOT)
62	1401152	GLASS- I PIECE ONLY (USED WITH DOUBLE GLASS DOORS & IT IS NOT IR COATED)
62	1401154	LEFT GLASS IR COATED



62	1401153	RIGHT GLASS IR COATED
63	5002801	GLASS GASKET WITH WIRE
64	1601393	GLASS CLIP RETAINER STEPPED
65	5005708	SLICER/ POKER
66	1601396	GLASS CLIP
67	1306719	RIGHT DOOR DEFLECTOR
68	1601394	GLASS CLIP FLAT
69	1200986	10 - 24 X 5/8 PH PAN HD MACHINE SCREW
70	1601497	RIGHT AIRGUIDE
71	1200991	10 - 24 X 3/4 PHILLIPS PAN HEAD
72	1306718	LEFT DOOR DEFLECTOR
73	1601496	LEFT AIRGUIDE
74	1306711	THERM COVER
75	1201846	TENSION SPRING
76	1202423	#10 FLAT WASHER
77	5005506	THERMOSTAT ASSEMBLY
78	1201985	JUMP RING
79	1201972	BALL CHAIN FITTING
80	1201960	BALL CHAIN (PER FT)
81	1200995	1/4-20 X 2 PH PAN HD SCR
82	1306710	PRIMARY AIR FLAP
83	1601551	PRIMARY AIR FLAP PIN
84	1200983	10 - 24 X 3/8 PHILLIPS PAN HEAD
88	1200998	10-24 X 1/2 PH TRS HD SCR
89	1201432	LEG BOLT
	0005807	LEG BOLT PACKAGE
90	1600600	HANDLE HOLDER
91	1202488	WASHER
92	0004342	CERAMIC HANDLE & SCREW
92	1600620	CERAMIC SHAFT
93	1201294	HANDLE PIN (SHORT 3 3/8)
94	1600650	NUB FOR CERAMIC HANDLE
95	1306333	LEG (1)
	5003457	LEGS (4)

ITEMS NOT SHOWN PACKED INSIDE THE STOVE

NA	STOVE-BAG-KIT
2000922	MANUAL



ENAMEL PARTS

***PREFIXES FOR ENAMEL PARTS**

- 131 RED**
- 132 SAND**
- 133 BLUE**
- 134 MIDNIGHT**

THESE COLORS ARE NO
LONGER AVAILABLE
~~136 GRAY~~
~~139 ANITQUE BROWN~~

- * 6710 AIR FLAP
- * 6767 BACK
- * 6700 *BOTTOM (AVAILABLE IN RED ONLY)*

SUBSTITUTE: * 6764

- * 6561 FLUE COLLAR
- * 6444 FRONT
- * 6716 LEFT DOOR
- * 6709 *LEFT END (N/A IN BLUE)*

SUBSTITUTE: * 8656

NA *RIGHT DOOR*

SUBSTITUTE: * 6765/6865 *(RED, SAND, MIDNIGHT - *6765; BLUE - *6865)*

- * 6723 *RIGHT END (N/A IN BLUE)*

SUBSTITUTE: * 8655

- * 6711 THERMOSTAT COVER
- * 6760 *TOP (AVAILABLE IN RED & MIDNIGHT ONLY)*
- * 6333 LEG 1

FRONTS WITH DOORS- SINGLE GLASS

- 5006088 FRONT WITH DOORS RED
- 5006092 FRONT WITH DOORS SAND
- 5006097 FRONT WITH DOORS BLUE
- 5006103 FRONT WITH DOORS MIDNIGHT
- NA *FRONT WITH DOORS BROWN*

LEG SETS

- 5006016 SET OF 4 LEGS SAND
- 5006011 SET OF 4 LEGS RED
- 5006020 SET OF 4 LEGS BLUE
- 5006030 SET OF 4 LEGS MIDNIGHT
- 5006016 SET OF 4 LEGS GREEN



HARDWARE

- 1200895 1/4 - 20 X 1/2" PH RD HD MACHINE SCR
(FIREBACK, DAMPER TAB)

- 1201529 1/4 - 20 X 5/8" SOCKET BUT HD CAP SCR
(DAMPER)

- 1200434 1/4 - 20 X 3/4" KNURL CUP SOCKET SCR
(DAMPER)

- 1203210 1/4 - 20 HEX NUT/ **(DAMPER)**

- 1201456 3/8 - 16 X 1 1/2 HEX HD CAP SCREW
(LOWER FIREBACK CLAMP)

- 1202560 3/8 NARROW WASHER
(LOWER FIREBACK CLAMP)

- 1201583 3/8 - 16 X 1 BL OX
(FIREBACKS, DAMPER HOUSING)

- 1203130 3/8 - 16 ACORN NUT **(DAMPER HOUSING)**

- 1200980 10 - 24 X 1/4 PH PAN HD SCREW
**(SECONDARY AIR PROBE, GLASS CLIPS
STEPPED)**

- 1201899 5/16" HOLE PLUG
(BACK)

- 1600535 DOOR PIN

- 1600561 SHAKER HOLE PLUG

- 1200901 1/4 - 20 X 3/4" PH RD HD MACHINE SCR
(FLUE COLLAR SC)

- 1201338 1/4 - 20 X 1/2 HEX HD CAP SCREW
(QUADRANT)

- 1200986 10 - 24 X 5/8 PH PAN HD MACHINE SCREW
**(FLAT GLASS CLIP 160-1394,
SECONDARY AIR COVER)**



- 1200991 10 - 24 X 3/4 PHILLIPS PAN HEAD
(AIR GUIDES)
- 1200983 10 - 24 X 3/8 PHILLIPS PAN HEAD
(THERM FLAP CLIP SC)
- 1201899 5/16" HOLE PLUG FOR THE BOTTOM

GASKETS

BELOW IS A LIST OF THE TYPE OF GASKET AND THE LENGTH NEEDED ON THE INTREPID II

LOCATION	GASKET SIZE	QUANTITY NEEDED	PART NUMBER
BACK	3/16" FIBERGLASS	3.0'	1203556
DMP HOUSING	3/16" FIBERGLASS	1.5'	1203556
DMP HOUSING	5/16" FIBERGLASS/ NDLE MED DENS	2.5'	1203588
ACCESS CVR	5/16" FIBERGLASS/ NDLE MED DENS	3.5'	1203588
LEFT DOOR	5/16" FIBERGLASS/ 6 NDLE MED DENS	2.8'	1203588
GRIDDLE	5/16" ARMASEAL	3.6'	1203668
FLUE COLLAR	3/16" FIBERGLASS	2.5'	1203591
RIGHT DOOR	5/16" FIBERGLASS/ NDLE MED DENS	2.2'	1203588
GLASS PANEL	GASKET (1 PER DOOR)	1.00	1203517
GLASS SPACER	ONE BETWEEN THE 2 GLASS PANES PER DOOR	1	5002801

INTREPID II ACCESSORIES

SAME AS MODEL #2070