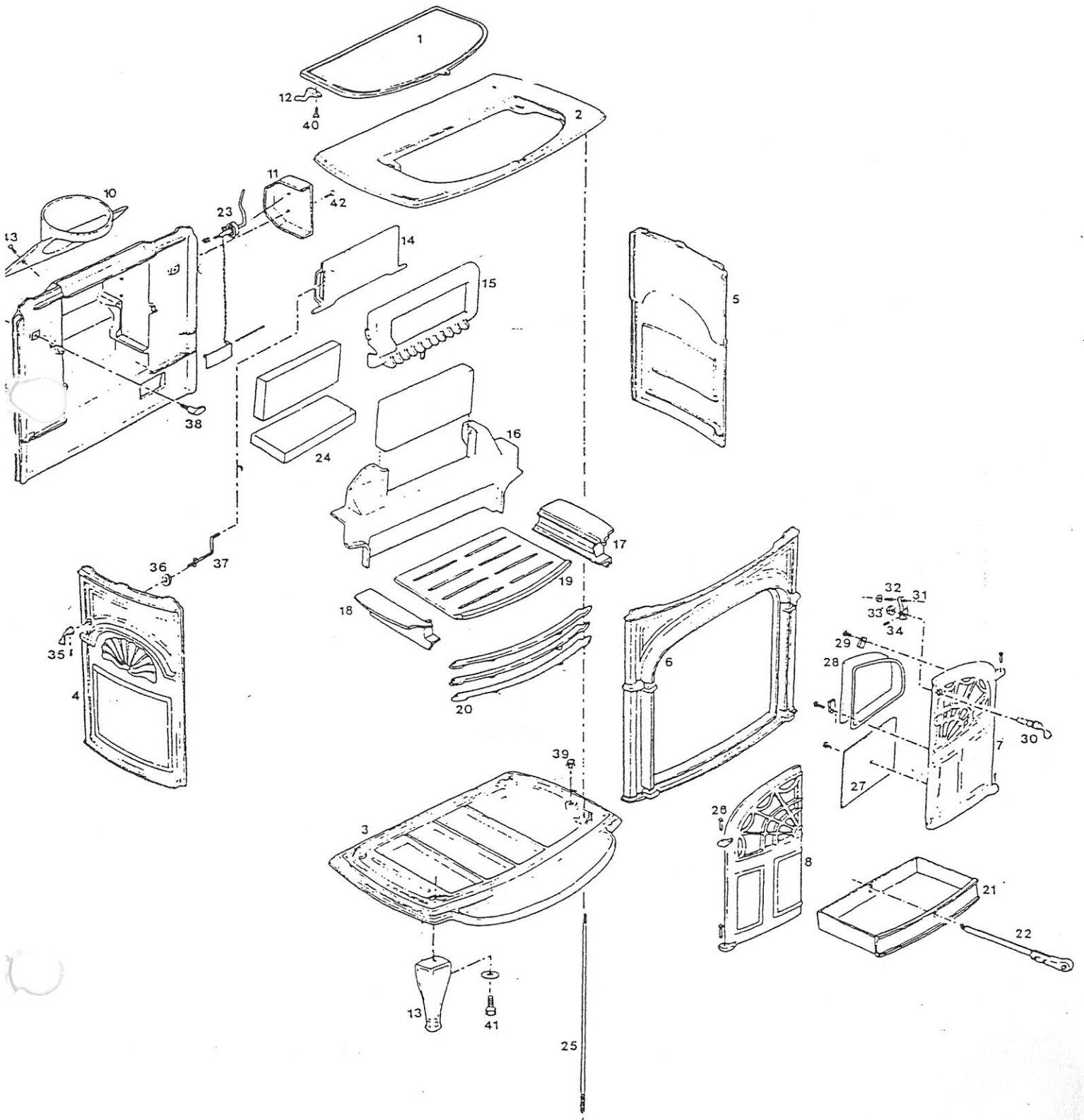




INTREPID I MODEL 1302





Intrepid

MODEL # **1302 INTREPID I**

FEATURES: *MANUFACTURED FROM 7/29/82 THROUGH 6/9/88*
 HAS NO CATALYST

DIAGRAM #	ITEM #	PART DESCRIPTION
1	1306356	GRIDDLE (NO QUADS)
2	NA	TOP
3	NA	BOTTOM
SUBSTITUTE: 1306764		
4	NA	LEFT-END
5	NA	RIGHT-END
6	5004608	FRONT WITH DOORS- SINGLE GLASS
7	1306765	RIGHT DOOR- SINGLE GLASS 13-96
8	1306766	LEFT DOOR -SINGLE GLASS
9	NA	BACK
10	1306561	FLUE COLLAR
11	NA	THERMOSTAT COVER
12	0004444	QUADRANT
13	1306333	LEG (1 ONLY)
	5003457	LEGS (SET OF 4)
14	1306367	DAMPER
15	1306381	UPPER FIREBACK
16	1306451	LOWER FIREBACK
17	1306485	RIGHT AIRTUBE
18	1306479	LEFT AIRTUBE
19	NA	BOTTOM GRATE
SUBSTITUTE: 1306712 & 1306717		
	1306712	BOTTOM GRATE (CAN BE SUBSTITUTED FOR BAR GRATE TAKES ANDIRONS)
	1306717	ANDIRON (USED WITH GRATE 130-6712)
20	1306437	FRONT GRATE BAR (CAN SUBSTITUTE ANDIRONS IF YOU USE GRATE 130-6712)
21	5003522	ASH PAN
22	5005708	SLICER/ POKER



23	0004327	THERMOSTAT ASSEMBLY		
	1201985	JUMP RING		
	1201972	BALL CHAIN FITTING		
	1201960	BALL CHAIN (PER FT)		
	1201846	TENSION SPRING		
	0005801	THERM FLAP		
	1601555	THERM FLAP PIN		
24	1601103	FIREBRICK SPLIT (1)		
25	5007499	TIE RODS (SET OF 4 & TIE ROD NUTS)		
26	1600535	DOOR PIN		
	1202420	FELT DOOR PIN WASHER		
27	1601495	SS AIR GUIDE		
	1200980	AIR GUIDE & GLASS CLIP SCREW (10 24 X 1/4 PHIL PAN HDL)		
28	1401152	GLASS (1 ONLY)		
29	1601394	GLASS CLIPS (2 NEEDED)		
30	0004370	FRONT HANDLE STUB WITH SET SCREW	5004245	6-19
31	0004384	PAWL ASSEMBLY		
32	1200436	STRIKER BOLT	5004025	
33	1203290	LARGE PAWL NUT 2-00		2-00
34	1200417	SET SCREW		
35	0004355	DAMPER HANDLE STUB		
	1200563	DAMPER HANDLE SET SCREW		
36	1202499	DAMPER WASHER		
37	1600852	DAMPER ROD		
38	1201583	FIREBACK TAB (WELD SCREW)		
	1203126	FIREBACK TAB ACORN NUT		
39	1200651	HOLE PLUG		
40	1201338	1/4-20 X 1/2 HEX CS		
41	1201432	LEG BOLT (1 ONLY)		
	0005807	LEG BOLT PACKAGE (SET OF 4)		
42	1202488	THERM COVER SCREW		
43	1200900	1/4-20 X 5/8 PH RD HD		

ITEMS NOT SHOWN

- 1600600 HANDLE HOLDER
- 0004342 CERAMIC HANDLE COMPLETE
- 1201294 CERAMIC HANDLE- SCREW ONLY
- 1600620 CERAMIC HANDLE
(CERAMIC PART ONLY)
- 1600650 THREADED CERAMIC HANDLE LIFTER ONLY
- 1201899 PLUG FOR BOTTOM (1)
- 1200998 HEAT SHIELD SCREW (PH TRUSS SCREW)
(5/16 PL 10 - 24 X1/2)
- MANUAL



ENAMEL PARTS

***PREFIX FOR ENAMEL PARTS**

131 RED
132 SAND
133 BLUE
134 MIDNIGHT

136 GRAY
137 CHOCOLATE BROWN
138 ANTIQUE GREEN
139 ANTIQUE BROWN

SUBSTITUTE:

- * 6416 **BACK** (NOT AVAILABLE IN SAND, BLUE, & MIDNIGHT)
- * 6700 **BOTTOM** (N/A IN SAND, BLUE, MIDNIGHT OR GRAY - CURRENT COLORS ONLY)
- * 6764 (FOR CURRENT COLORS ONLY)
- * 6561 **FLUE COLLAR** (NOT AVAILABLE IN ANTIQUE BROWN - CURRENT COLORS ONLY)
- * 6444 **FRONT** (N/A IN GRAY, ANTIQUE GREEN, OR ANTIQUE BROWN - CURRENT COLORS ONLY)
- * 6428 **LEFT END** (NOT AVAILABLE IN RED, SAND, OR BLUE - CURRENT COLORS ONLY)
- * 6333 **LEG (1)** (NOT AVAILABLE IN RED - CURRENT COLORS ONLY)
- * 6324 **RIGHT END** (NOT AVAILABLE IN RED)
- * 6399 **THERMOSTAT COVER** (NOT AVAILABLE IN MIDNIGHT OR ANTIQUE BROWN)
- * 6760 **TOP** (NOT AVAILABLE IN SAND, BLUE OR ANTIQUE BROWN)

FRONTS WITH DOORS

NA **FRONT WITH DOORS RED**
5006091 **FRONT WITH DOORS SAND**
5006096 **FRONT WITH DOORS BLUE**
5006104 **FRONT WITH DOORS MIDNIGHT**
5006136 **FRONT WITH DOORS BROWN**

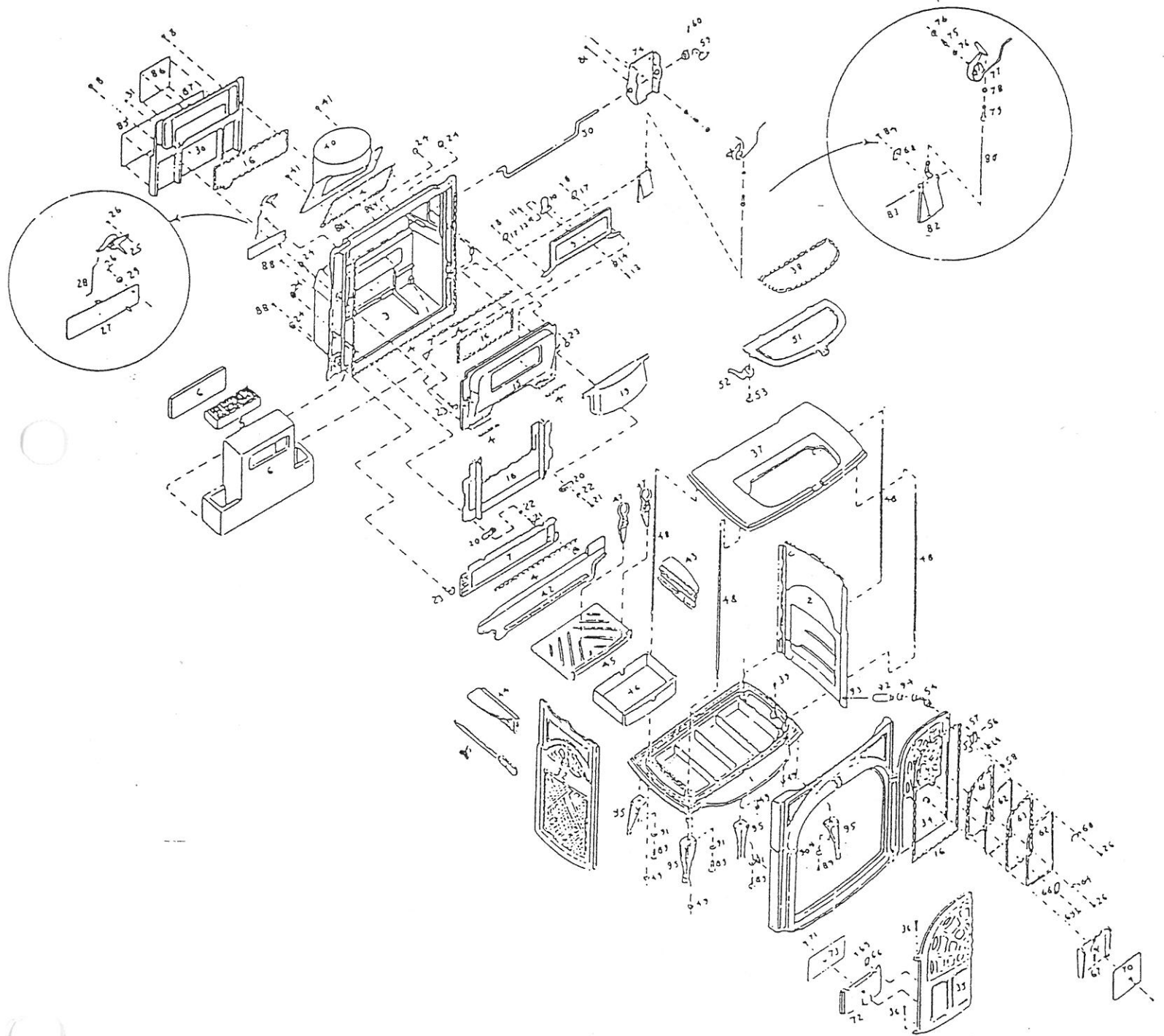
GASKETS

BELOW IS A LIST OF THE TYPE OF GASKET AND THE LENGTH NEEDED ON THE INTREPID

LOCATION	GASKET SIZE	QUANTITY NEEDED	PART NUMBER
LEFT DOOR	5/16" FIBERGLASS/ NDLE MED DENS	2.8'	1203588
LFT DR GLASS	3/16" FIBERGLASS	1.75'	1203556
RIGHT DOOR	5/16" FIBERGLASS/ NDLE MED DENS	2.2'	1203588
RT DR GLASS	3/16" FIBERGLASS	1.75'	1203556
GRIDDLE	5/16" ARMASEAL	3.6'	1203668
FLUE COLLAR	1/4" FIBERGLASS	2.5'	1203560



INTREPID II MODEL # 1303



Intrepid II

MODEL # 1303 INTREPID II

FEATURES: *MANUFACTURED FROM 7/16/87 THROUGH 3/90
HAS GEISSER TESTING LAB LABEL
CATALYST ACCESS IS ON THE BACK OF THE STOVE ONLY
DOUBLE PANED GLASS*

DIAGRAM #	ITEM #	PART DESCRIPTION
1	NA	BOTTOM
SUBSTITUTE:	1306764	
2	1306723	RIGHT END
3	1306707	BACK
	1306762	SECONDARY AIR COVER
4	1203556	3/16" FIBERGLASS GASKET (PER FOOT)
5	1602521	CATALYST
6	1602522	REFRACTORY COMPLETE (INCLUDES ACCESS PANEL)
	1602520	REFRACTORY ACCESS PANEL ONLY
7	1306704	LOWER FIREBACK
8	1200895	1/4 - 20 X 1/2" PH RD HD MACHINE SCR
9	1306701	DAMPER
	5004609	DAMPER ASSEMBLY
10	1306725	DAMPER D PLATE
11	1201529	1/4 - 20 X 5/8" SOCKET BUT HD CAP SCR
12	1202475	1/4 FLAT WASHER
13	1200434	1/4 - 20 X 3/4" KNURL CUP SOCKET SCR
14	1203210	1/4 - 20 HEX NUT
15	1306702	DAMPER HOUSING
16	1203588	5/16" FIBERGLASS GASKET (PER FOOT)
17	1601488	DAMPER TAB
18	1306703	UPPER FIREBACK
19	1306763	THROAT HOOD
20	1306724	LOWER FIREBACK CLAMP
21	1201456	3/8 - 16 X 1 1/2 HEX HD CAP SCREW
22	1202560	3/8 NARROW WASHER
23	1201583	3/8 - 16 X 1 BL OX
24	1203130	3/8 - 16 ACORN NUT
25	1601489	SECONDARY PROBE ASSEMBLY
26	1200980	10 - 24 X 1/4 PH PAN HD SCREW
27	1601490	SECONDARY AIR FLAP



28	1601486	SECONDARY AIR LINK
29	1201986	SHIM RING
30	NA	<i>CATALYST ACCESS COVER</i>
31	1201899	5/16" HOLE PLUG
32	1306709	LEFT END
33	NA	<i>FRONT WITH DOORS-DOUBLE GLASS</i>
SUBSTITUTE:	<i>5004608</i>	
34	NA	<i>RIGHT DOOR-DOUBLE GLASS</i>
SUBSTITUTE:	<i>1306865</i>	
35	NA	<i>LEFT DOOR-DOUBLE GLASS</i>
SUBSTITUTE:	<i>1306766</i>	
36	1600535	DOOR PIN
	1202420	FELT DOOR PIN WASHER
37	NA	<i>TOP</i>
38	1203668	5/16" GASKET WITH WIRE (PER FOOT)
39	1600561	SHAKER HOLE PLUG
40	1306561	FLUE COLLAR
41	1200901	1/4 - 20 X 3/4" PH RD HD MACHINE SCR
42	1306706	REAR AIRTUBE
43	1306713	RIGHT AIRTUBE
44	1306714	LEFT AIRTUBE
45	1306712	BOTTOM GRATE
46	1400950	ASH PAN
	NA	<i>ASH PAN COVER</i>
SUBSTITUTE:	<i>1306493</i>	
47	1306717	ANDIRON
48	5007499	TIE RODS
49	1203211	TIE ROD NUT
50	1602523	DAMPER ACTUATOR ROD
51	1306356	GRIDDLE
52	0004444	QUADRANT
53	1201338	1/4 - 20 X 1/2 HEX HD CAP SCREW
54	0004370	FRONT HANDLE STUB
55	0004384	PAWL ASSEMBLY
56	1200417	SET SCREW
57	1200436	STRIKER BOLT
58	1203290	LARGE PAWL NUT
59	0004355	DAMPER HANDLE STUB
60	1200563	DAMPER HANDLE SET SCREW
61	1203556	3/16" FIBERGLASS GASKET (PER FOOT)
62	1401152	GLASS I PIECE, NOT IR COATED
63	5002801	GLASS GASKET WITH WIRE
64	1601393	GLASS CLIP RETAINER STEPPED
65	5005708	SLICER/ POKER
66	1601396	GLASS CLIP
67	1306719	RIGHT DOOR DEFLECTOR
68	1601394	GLASS CLIP FLAT



69	1200986	10 - 24 X 5/8 PH PAN HD MACHINE SCREW
70	1601497	RIGHT AIRGUIDE
71	1200991	10 - 24 X 3/4 PHILLIPS PAN HEAD
72	1306718	LEFT DOOR DEFLECTOR
73	1601496	LEFT AIRGUIDE
74	1306711	THERM COVER
75	1201846	TENSION SPRING
76	1202423	#10 FLAT WASHER
77	5005506	THERMOSTAT ASSEMBLY
78	1201985	JUMP RING
79	1201972	BALL CHAIN FITTING
80	1201960	BALL CHAIN (PER FT)
81	1200995	1/4-20 X 2 PH PAN HD SCR
82	1306710	PRIMARY AIR FLAP
83	1601551	PRIMARY AIR FLAP PIN
84	1200983	10 - 24 X 3/8 PHILLIPS PAN HEAD
88	1200998	10-24 X 1/2 PH TRS HD SCR
89	1201432	LEG BOLT
	0005807	LEG BOLT PACKAGE
90	1600600	HANDLE HOLDER
91	1202488	WASHER
92	0004342	CERAMIC HANDLE & SCREW
92	1600620	CERAMIC SHAFT
93	1201294	HANDLE PIN (SHORT 3 3/8)
94	1600650	NUB FOR CERAMIC HANDLE
95	1306333	LEG (1)
	5003457	LEGS (4)

ITEMS NOT SHOWN PACKED INSIDE THE STOVE

NA	STOVE-BAG-KIT
2000917	MANUAL

ENAMEL PARTS***PREFIXES FOR ENAMEL PARTS**

131 RED
132 SAND
133 BLUE
134 MIDNIGHT

136 GRAY
139 ANITQUE BROWN
231 GREEN

* 6710 AIR FLAP
* 6707 BACK (N/A IN MIDNIGHT, GRAY, OR ANTIQUE BROWN - SUB. CLASSIC BLACK ONLY)
* 6700 BOTTOM (AVAILABLE IN RED & ANTIQUE BROWN ONLY)
* 6561 FLUE COLLAR (N/A IN GRAY - CURRENT COLORS ONLY)
* 6444 FRONT (N/A IN MIDNIGHT, GRAY, OR ANTIQUE BROWN - CURRENT COLORS ONLY)
* 6716 LEFT DOOR (N/A IN GRAY, OR GREEN - CURRENT COLORS ONLY)

SUBSTITUTE: * 6866/6766 (CURRENT COLORS ONLY)

* 6709 LEFT END

SUBSTITUTE: * 8656 (CURRENT COLORS ONLY)

* 6715 RIGHT DOOR

SUBSTITUTE: * 6765/6865 (RED, SAND, MIDNIGHT, GREEN, CLASSIC BLACK - *6765; BLUE - *6865)

* 6723 RIGHT END

SUBSTITUTE: * 8655 (CURRENT COLORS ONLY)

* 6711 THERMOSTAT COVER (N/A IN ANTIQUE BROWN)

* 6760 TOP (AVAILABLE IN RED, MIDNIGHT, & GRAY ONLY)

* 6333 LEG 1 (N/A IN GRAY OR ANTIQUE BROWN)

FRONTS WITH DOORS- SINGLE GLASS

5006088 FRONT WITH DOORS RED
5006092 FRONT WITH DOORS SAND
5006097 FRONT WITH DOORS BLUE
5006103 FRONT WITH DOORS MIDNIGHT
NA ~~FRONT WITH DOORS BROWN~~

LEG SETS

5006016 SET OF 4 LEGS SAND
5006011 SET OF 4 LEGS RED
5006020 SET OF 4 LEGS BLUE
5006030 SET OF 4 LEGS MIDNIGHT
5006016 SET OF 4 LEGS GREEN



HARDWARE

1200895	1/4 - 20 X 1/2" PH RD HD MACHINE SCR (FIREBACK, DAMPER TAB)
1201529	1/4 - 20 X 5/8" SOCKET BUT HD CAP SCR (DAMPER)
1200434	1/4 - 20 X 3/4" KNURL CUP SOCKET SCR (DAMPER)
1203210	1/4 - 20 HEX NUT/ (DAMPER)
1201456	3/8 - 16 X 1 1/2 HEX HD CAP SCREW (LOWER FIREBACK CLAMP)
1202560	3/8 NARROW WASHER (LOWER FIREBACK CLAMP)
1201583	3/8 - 16 X 1 BL OX (FIREBACKS, DAMPER HOUSING)
1203130	3/8 - 16 ACORN NUT (DAMPER HOUSING)
1200980	10 - 24 X 1/4 PH PAN HD SCREW (SECONDARY AIR PROBE, GLASS CLIPS STEPPED)
1201899	5/16" HOLE PLUG (BACK)
1600535	DOOR PIN
1600561	SHAKER HOLE PLUG
1200901	1/4 - 20 X 3/4" PH RD HD MACHINE SCR (FLUE COLLAR SC)
1201338	1/4 - 20 X 1/2 HEX HD CAP SCREW (QUADRANT)
1200986	10 - 24 X 5/8 PH PAN HD MACHINE SCREW (FLAT GLASS CLIP 160-1394, SECONDARY AIR COVER)



- 1200991 10 - 24 X 3/4 PHILLIPS PAN HEAD
(AIR GUIDES)
- 1200983 10 - 24 X 3/8 PHILLIPS PAN HEAD
(THERM FLAP CLIP SC)
- 1201899 5/16" HOLE PLUG FOR THE BOTTOM

GASKETS

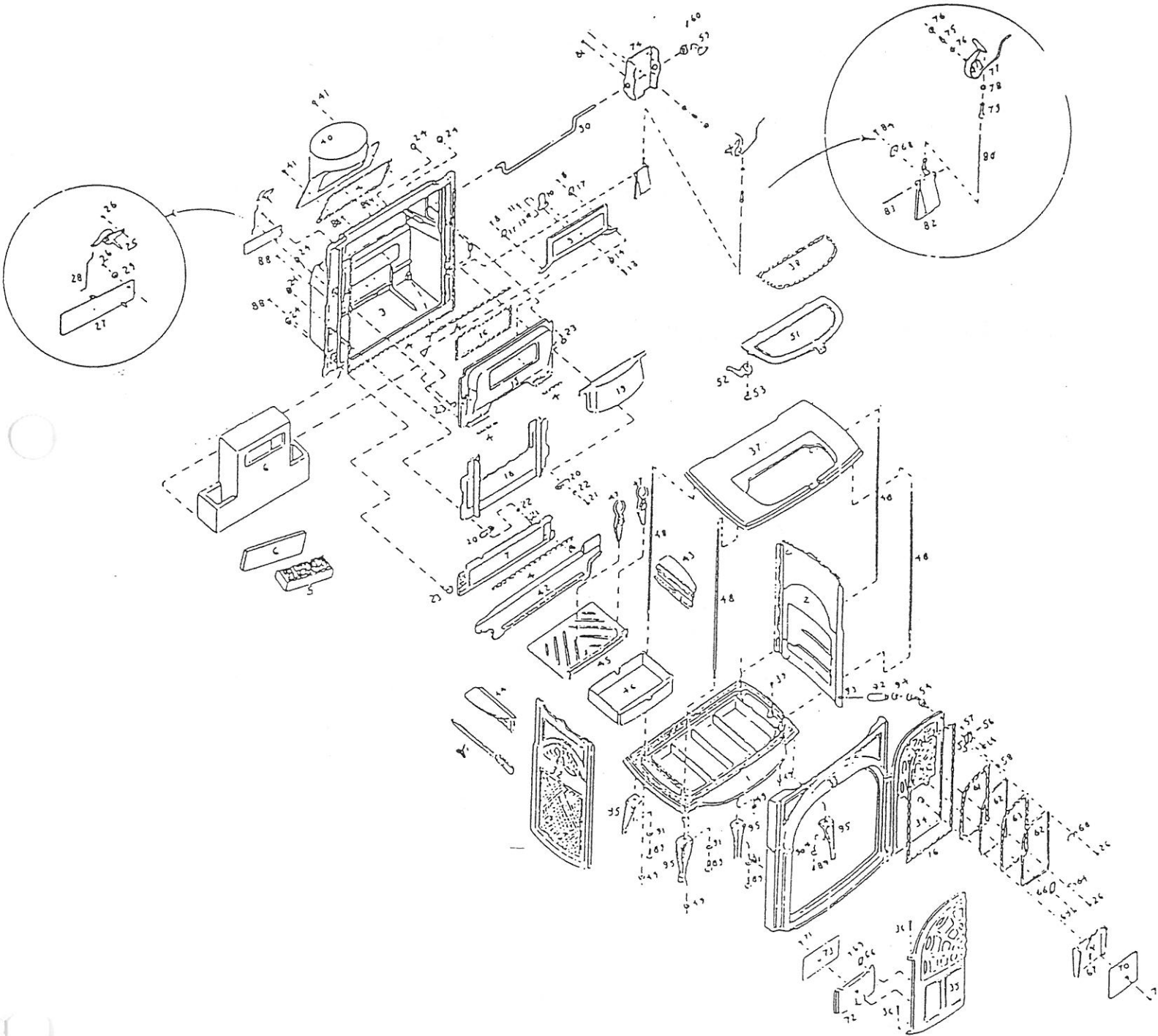
SAME AS MODEL #1308

INTREPID II ACCESSORIES

SAME AS MODEL #2070



INTREPID II MODEL # 1308





Intrepid II

MODEL # 1308 INTREPID II 1990 MODEL

FEATURES: MANUFACTURED 4/90 THROUGH 12/28/94
HAS A WARNOCK HERSEY TESTING LAB. LABEL,
FROM 1990 THROUGH JUNE 1992 THE DOORS HAD DOUBLE
GLASS PANES IN EACH DOOR- AFTER JULY 1992 THE DOORS HAD
A SINGLE PANE OF IR COATED GLASS IN EACH DOOR.
CATALYST IS ACCESSIBLE FROM THE INSIDE OF THE STOVE ONLY.

DIAGRAM #	ITEM #	PART DESCRIPTION
1	NA	BOTTOM
	SUBSTITUTE: 1306764	
2	1306723	RIGHT END
3	1306767	BACK
	1306762	SECONDARY AIR COVER
4	1203556	3/16" FIBERGLASS GASKET (PER FOOT)
5	1602521	CATALYST
6	1602527	REFRACTORY ASSEMBLY (INCLUDES ACCESS PANEL)
	1602516	REFRACTORY ACCESS PANEL ONLY
7	1306704	LOWER FIREBACK
8	1200895	1/4 - 20 X 1/2" PH RD HD MACHINE SCR
9	1306701	DAMPER
	5004609	DAMPER ASSEMBLY
10	1306725	DAMPER D PLATE
11	1201529	1/4 - 20 X 5/8" SOCKET BUT HD CAP SCR
12	1202475	1/4 FLAT WASHER
13	1200434	1/4 - 20 X 3/4" KNURL CUP SOCKET SCR
14	1203210	1/4 - 20 HEX NUT
15	1306702	DAMPER HOUSING
16	1203588	5/16" FIBERGLASS GASKET (PER FOOT)
17	1601488	DAMPER TAB
18	1306703	UPPER FIREBACK
19	1306763	THROAT HOOD
20	1306724	LOWER FIREBACK CLAMP
21	1201456	3/8 - 16 X 1 1/2 HEX HD CAP SCREW
22	1202560	3/8 NARROW WASHER
23	1201583	3/8 - 16 X 1 BL OX



24	1203130	3/8 - 16 ACORN NUT
25	1601489	SECONDARY PROBE ASSEMBLY
26	1200980	10 - 24 X 1/4 PH PAN HD SCREW
27	1601490	SECONDARY AIR FLAP
28	1601486	SECONDARY AIR LINK
29	1201986	SHIM RING
31	1201899	5/16" HOLE PLUG
32	1306709	LEFT END
33	NA	FRONT WITH DOORS-DOUBLE GLASS
	SUBSTITUTE: 5004608	FRONT WITH DOORS- SINGLE GLASS
34	NA	RIGHT-DOOR-DOUBLE GLASS
	SUBSTITUTE: 1306765	RIGHT DOOR- SINGLE GLASS
35	NA	LEFT-DOOR-DOUBLE GLASS
	SUBSTITUTE: 1306766	LEFT DOOR -SINGLE GLASS
36	1600535	DOOR PIN
	1202420	FELT DOOR PIN WASHER
37	NA	TOP
38	1203668	5/16" GASKET WITH WIRE (PER FOOT)
39	1600561	SHAKER HOLE PLUG
40	1306561	FLUE COLLAR
41	1200901	1/4 - 20 X 3/4" PH RD HD MACHINE SCR
42	1306706	REAR AIRTUBE
43	1306713	RIGHT AIRTUBE
44	1306714	LEFT AIRTUBE
45	1306712	BOTTOM GRATE
46	1400950	ASH PAN
	1306492	ASH-PAN COVER
	SUBSTITUTE: 1306493	
47	1306717	ANDIRON
48	5007499	TIE RODS
49	1203211	TIE ROD NUT
50	1602523	DAMPER ACTUATOR ROD
51	1306356	GRIDDLE
52	1301832	LEFT QUADRANT
52	1300807	RIGHT QUADRANT
53	1201338	1/4 - 20 X 1/2 HEX HD CAP SCREW
54	0004370	FRONT HANDLE STUB
55	0004384	PAWL ASSEMBLY
56	1200417	SET SCREW
57	1200436	STRIKER BOLT
58	1203290	LARGE PAWL NUT
59	0004355	DAMPER HANDLE STUB
60	1200563	DAMPER HANDLE SET SCREW
61	1203556	3/16" FIBERGLASS GASKET (PER FOOT)
62	1401152	GLASS- I PIECE ONLY (USED WITH DOUBLE GLASS DOORS & IT IS NOT IR COATED)
62	1401154	LEFT GLASS IR COATED



62	1401153	RIGHT GLASS IR COATED
63	5002801	GLASS GASKET WITH WIRE
64	1601393	GLASS CLIP RETAINER STEPPED
65	5005708	SLICER/ POKER
66	1601396	GLASS CLIP
67	1306719	RIGHT DOOR DEFLECTOR
68	1601394	GLASS CLIP FLAT
69	1200986	10 - 24 X 5/8 PH PAN HD MACHINE SCREW
70	1601497	RIGHT AIRGUIDE
71	1200991	10 - 24 X 3/4 PHILLIPS PAN HEAD
72	1306718	LEFT DOOR DEFLECTOR
73	1601496	LEFT AIRGUIDE
74	1306711	THERM COVER
75	1201846	TENSION SPRING
76	1202423	#10 FLAT WASHER
77	5005506	THERMOSTAT ASSEMBLY
78	1201985	JUMP RING
79	1201972	BALL CHAIN FITTING
80	1201960	BALL CHAIN (PER FT)
81	1200995	1/4-20 X 2 PH PAN HD SCR
82	1306710	PRIMARY AIR FLAP
83	1601551	PRIMARY AIR FLAP PIN
84	1200983	10 - 24 X 3/8 PHILLIPS PAN HEAD
88	1200998	10-24 X 1/2 PH TRS HD SCR
89	1201432	LEG BOLT
	0005807	LEG BOLT PACKAGE
90	1600600	HANDLE HOLDER
91	1202488	WASHER
92	0004342	CERAMIC HANDLE & SCREW
92	1600620	CERAMIC SHAFT
93	1201294	HANDLE PIN (SHORT 3 3/8)
94	1600650	NUB FOR CERAMIC HANDLE
95	1306333	LEG (1)
	5003457	LEGS (4)

ITEMS NOT SHOWN PACKED INSIDE THE STOVE

NA	STOVE-BAG-KIT
2000922	MANUAL



ENAMEL PARTS

***PREFIXES FOR ENAMEL PARTS**

- 131 RED
- 132 SAND
- 133 BLUE
- 134 MIDNIGHT

THESE COLORS ARE NO
LONGER AVAILABLE
~~136 GRAY~~
~~139 ANITQUE BROWN~~

- * 6710 AIR FLAP
- * 6767 BACK
- * 6700 *BOTTOM (AVAILABLE IN RED ONLY)*

SUBSTITUTE: * 6764

- * 6561 FLUE COLLAR
- * 6444 FRONT
- * 6716 LEFT DOOR
- * 6709 *LEFT END (N/A IN BLUE)*

SUBSTITUTE: * 8656

NA *RIGHT DOOR*

SUBSTITUTE: * 6765/6865 (RED, SAND, MIDNIGHT - *6765; BLUE - *6865)

- * 6723 *RIGHT END (N/A IN BLUE)*

SUBSTITUTE: * 8655

- * 6711 THERMOSTAT COVER
- * 6760 *TOP (AVAILABLE IN RED & MIDNIGHT ONLY)*
- * 6333 LEG 1

FRONTS WITH DOORS- SINGLE GLASS

- 5006088 FRONT WITH DOORS RED
- 5006092 FRONT WITH DOORS SAND
- 5006097 FRONT WITH DOORS BLUE
- 5006103 FRONT WITH DOORS MIDNIGHT
- NA *FRONT WITH DOORS BROWN*

LEG SETS

- 5006016 SET OF 4 LEGS SAND
- 5006011 SET OF 4 LEGS RED
- 5006020 SET OF 4 LEGS BLUE
- 5006030 SET OF 4 LEGS MIDNIGHT
- 5006016 SET OF 4 LEGS GREEN



HARDWARE

- 1200895 1/4 - 20 X 1/2" PH RD HD MACHINE SCR
(FIREBACK, DAMPER TAB)

- 1201529 1/4 - 20 X 5/8" SOCKET BUT HD CAP SCR
(DAMPER)

- 1200434 1/4 - 20 X 3/4" KNURL CUP SOCKET SCR
(DAMPER)

- 1203210 1/4 - 20 HEX NUT/ **(DAMPER)**

- 1201456 3/8 - 16 X 1 1/2 HEX HD CAP SCREW
(LOWER FIREBACK CLAMP)

- 1202560 3/8 NARROW WASHER
(LOWER FIREBACK CLAMP)

- 1201583 3/8 - 16 X 1 BL OX
(FIREBACKS, DAMPER HOUSING)

- 1203130 3/8 - 16 ACORN NUT **(DAMPER HOUSING)**

- 1200980 10 - 24 X 1/4 PH PAN HD SCREW
**(SECONDARY AIR PROBE, GLASS CLIPS
STEPPED)**

- 1201899 5/16" HOLE PLUG
(BACK)

- 1600535 DOOR PIN

- 1600561 SHAKER HOLE PLUG

- 1200901 1/4 - 20 X 3/4" PH RD HD MACHINE SCR
(FLUE COLLAR SC)

- 1201338 1/4 - 20 X 1/2 HEX HD CAP SCREW
(QUADRANT)

- 1200986 10 - 24 X 5/8 PH PAN HD MACHINE SCREW
**(FLAT GLASS CLIP 160-1394,
SECONDARY AIR COVER)**



- 1200991 10 - 24 X 3/4 PHILLIPS PAN HEAD
(AIR GUIDES)
- 1200983 10 - 24 X 3/8 PHILLIPS PAN HEAD
(THERM FLAP CLIP SC)
- 1201899 5/16" HOLE PLUG FOR THE BOTTOM

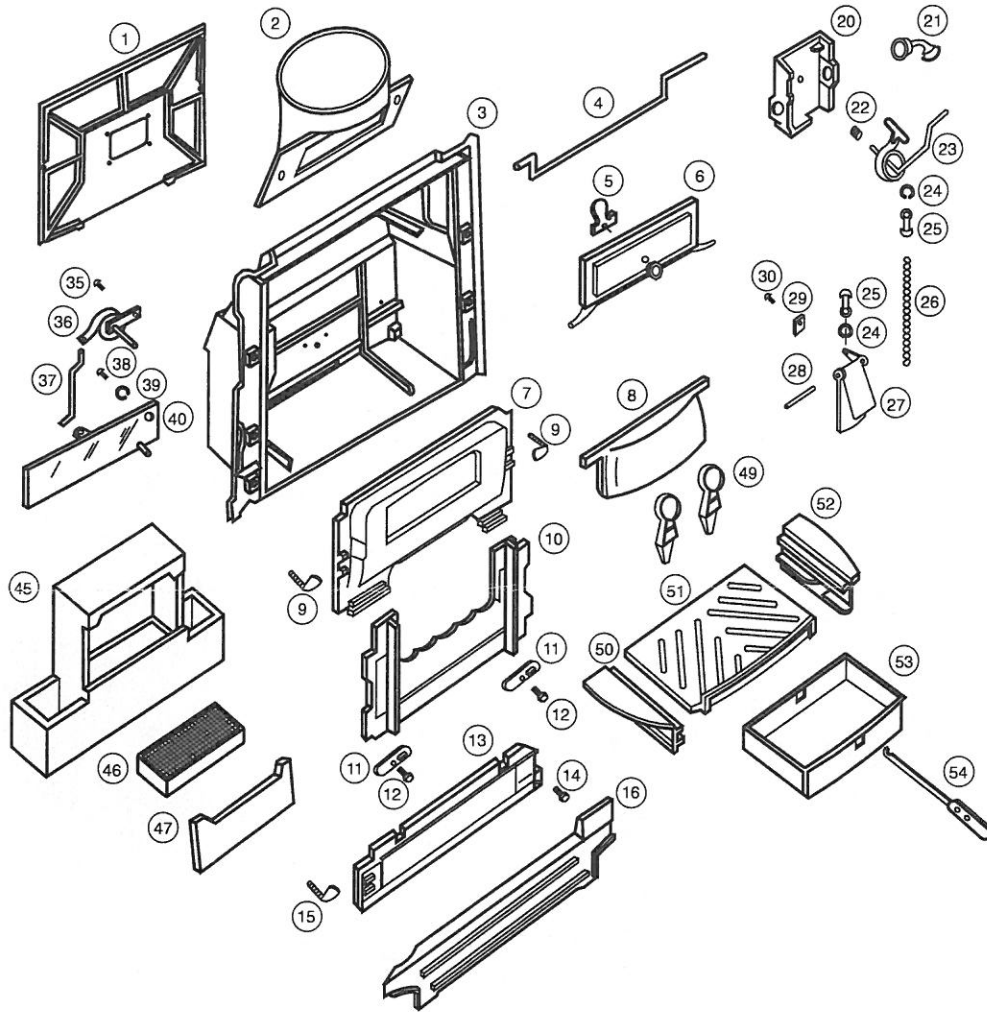
GASKETS

BELOW IS A LIST OF THE TYPE OF GASKET AND THE LENGTH NEEDED ON THE INTREPID II

LOCATION	GASKET SIZE	QUANTITY NEEDED	PART NUMBER
BACK	3/16" FIBERGLASS	3.0'	1203556
DMP HOUSING	3/16" FIBERGLASS	1.5'	1203556
DMP HOUSING	5/16" FIBERGLASS/ NDLE MED DENS	2.5'	1203588
ACCESS CVR	5/16" FIBERGLASS/ NDLE MED DENS	3.5'	1203588
LEFT DOOR	5/16" FIBERGLASS/ 6 NDLE MED DENS	2.8'	1203588
GRIDDLE	5/16" ARMASEAL	3.6'	1203668
FLUE COLLAR	3/16" FIBERGLASS	2.5'	1203591
RIGHT DOOR	5/16" FIBERGLASS/ NDLE MED DENS	2.2'	1203588
GLASS PANEL	GASKET (1 PER DOOR)	1.00	1203517
GLASS SPACER	ONE BETWEEN THE 2 GLASS PANES PER DOOR	1	5002801

INTREPID II ACCESSORIES

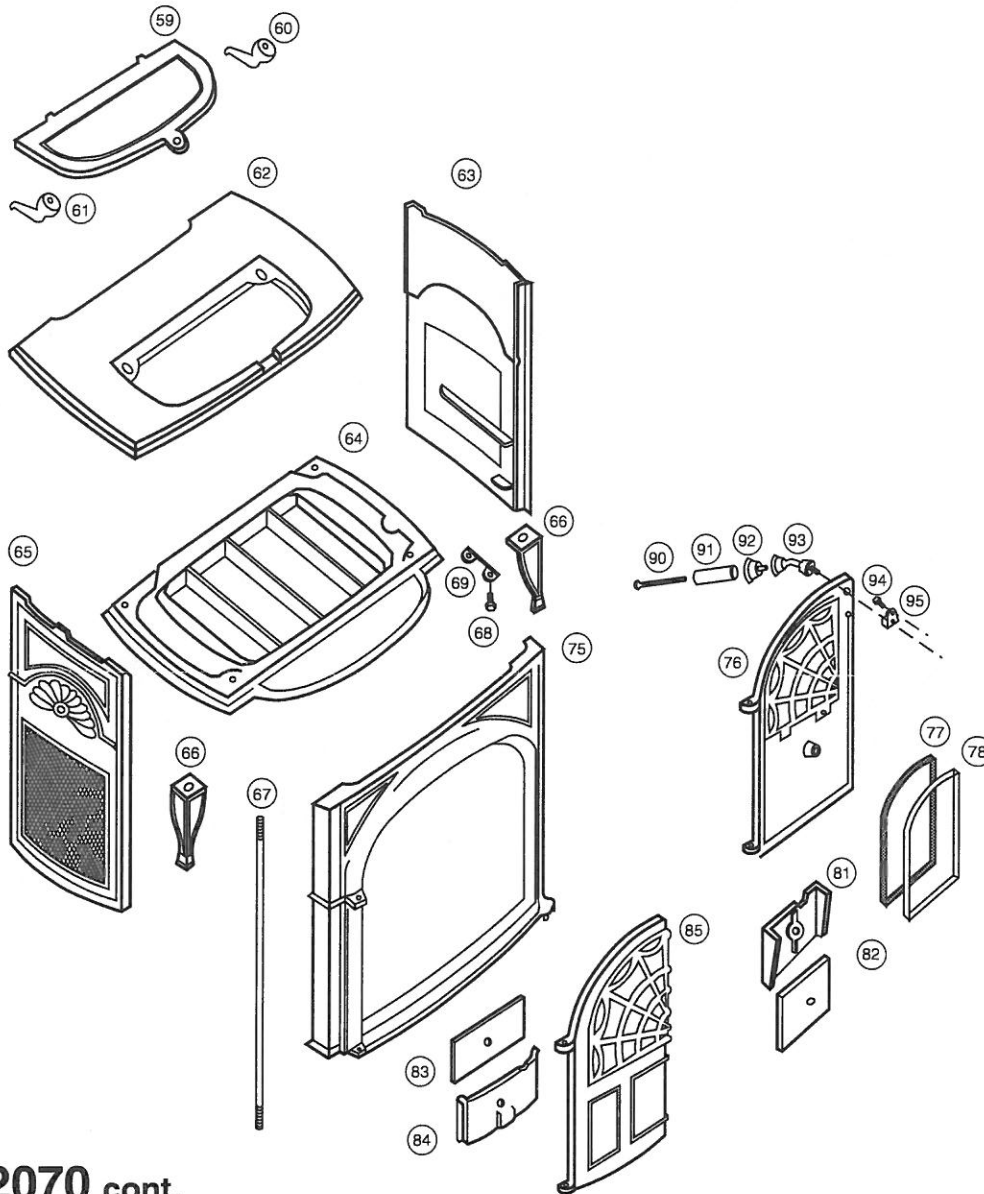
SAME AS MODEL #2070



Intrepid II 2070

Manufactured from 12/94 through 3/98. Single Pane Glass & front catalyst access.

Item/Model Number	Part Number	Item/Model Number	Part Number
1. SECONDARY AIR COVER	1306762	24. JUMP RING	1201985
2. FLUE COLLAR	1306561	25. BALL CHAIN FITTING	1201972
3. BACK SUBSTITUTE	NA 1308662	26. BALL CHAIN	1201960
4. DAMPER ACTUATOR ROD	1602523	27. PRIMARY AIR FLAP	1306710
5. D-PLATE	1306725	28. 1/8 - 1 1/2" AIR FLAP PIN	1601551
6. DAMPER	1306701	29. 1/2" X 3/4" GLASS CLIP RETAINER	1601396
7. DAMPER HOUSING	1306702	30. 10-24 X 3/8" PHILLIPSPAN HD MACH SCREW	1200983
8. THROAT HOOD	1306763	35. 10-24 X 1/4" PHILLIPS PAN HD MACHINE SCREW	1200980
9. 3/8" X 16 WELD SCREW	1201583	36. SECONDARY AIR PROBE ASSEMBLY	1601489
10. UPPER FIREBACK	1306703	37. SECONDARY AIRLINK	1601486
11. ROTATING CLAMP	1306724	38. SHIM RING	1201986
12. 3/8-16 X 1 1/2" HEX HD CAP SCREW	1301456	39. SECONDARY AIR FLAP	1601490
13. LOWER FIREBACK	1306704	45. REFRACTORY ASSEMBLY	1602527
14. 1/4-20 X 1/2" PHILLIPS RD HEAD MACHINE SCREW	1200895	46. CANNED CATALYST BLOCK	1602521
16. REAR AIR TUBE	1306706	49. ANDIRONS	1306717
20. THERMOSTAT COVER	1306711	50. LEFT INSERT (AIR TUBE)	1306714
21. DAMPER HANDLE STUB	1600608	51. GRATE	1306712
22. COMPRESSION SPRING	1201846	52. RIGHT INSERT (AIR TUBE)	1306713
23. THERMOSTAT COIL AND HANDLE	1601420	53. ASHPAN ASSEMBLY	5003521
		54. SLICER/POKER ASSEMBLY	5005708
		59. GRIDDLE	1306356



Intrepid II 2070 cont.

Item/Model Number	Part Number	Item/Model Number	Part Number
60. RIGHT GRIDDLE QUADRANT	1301807	90. 1/4-20 X 3 3/8" SLOTTED OVAL HEAD MACHINE SCREW	1201294
61. LEFT GRIDDLE QUADRANT	1301832	91. CERAMIC HANDLE	1600620
62. TOP	NA	92. HANDLE ADAPTOR INSERT	1600650
SUBSTITUTE:	1308657	93. DOOR HANDLE WITH SHAFT	5004237
63. RIGHT END	1306723	94. 1/4-20 X 3/4" OVAL POINT SOCKET SET SCREW	1200461
64. BOTTOM	1306764	95. PAWL	1300515
65. LEFT END	1306709	DAMPER ASSEMBLY	5004609
66. LEG	1306333	DAMPER TAB	1601488
67. TIE ROD	1601640	3/8 - 16 ACORN NUT	1203130
68. 3/8"-16 X 1" HEX HEAD CAP SCREW	1201432	CATALYST ACCESS PANEL ONLY	1302516
69. DOOR HANDLE HOLDER	1600600	RIGHT DOOR ONLY	1306765
75. FRONT	1306444	GLASS GASKET (1 USED PER DOOR)	1203517
76. RIGHT DOOR	1306765	GLASS CLIP RETAINER STEPPED	1601393
77. 5/16" MED. DENSITY GASKET	1203588	DOOR PIN	1600535
78. RIGHT DOOR GLASS	1401153	FELT DOOR PIN WASHER	1202420
81. RIGHT AIR DEFLECTOR (CAST)	1306719	FRONT HANDLE STUB WITH SET SCREW	0004370
82. RIGHT AIR GUIDE (STAINLESS STEEL)	1601497	LARGE PAWL NUT	1203290
83. LEFT AIR GUIDE (STAINLESS STEEL)	1601496	SET SCREW ONLY	1200417
84. LEFT AIR DEFLECTOR (CAST)	1306718	STRIKER BOLT ONLY	1200436
85. LEFT DOOR	1306766	DAMPER HANDLE SET SCREW ONLY	1200563
86. LEFT DOOR GLASS (NOT SHOWN)	1401154		

Intrepid II 2070 cont.

Item/Model Number	Part Number	Item/Model Number	Part Number
THERMOSTAT ASSEMBLY	5005506	3/8 NARROW WASHER (LOWER FIREBACK CLAMP)	1202560
PRIMARY AIR FLAP ASSEMBLY	0005896	3/8 - 16 X 1 BL OX (FIREBACKS, DAMPER HOUSING)	1201583
GLASS CLIP FLAT	1601394	3/8 - 16 ACORN NUT (DAMPER HOUSING)	1203130
CERAMIC HANDLE COMPLETE	0004342	10 - 24 X 1/4 PH PAN HD SCREW	
LEGS (4)	5003457	(SECONDARY AIR PROBE, GLASS CLIPS STEPPED)	1200980
LEG BOLT PACKAGE	0005807	DOOR PIN	1600535
REFRACTORY ACCESS PLUG	1602516	1/4 - 20 X 3/4" PH RD HD MACHINE SCR	
FORMED GLASS GASKET (1 PER GLASS)	1203517	(FLUE COLLAR SC)	1200901
		1/4 - 20 X 1/2 HEX HD CAP SCREW (QUADRANT)	1201338
		10 - 24 X 5/8 PH PAN HD MACHINE SCREW	
		(FLAT GLASS CLIP 160-1394, SECONDARY AIR COVER)	1200986
		10 - 24 X 3/4 PHILLIPS PAN HEAD (AIR GUIDES)	1200991
		10 - 24 X 3/8 PHILLIPS PAN HEAD	
		(THERM FLAP CLIP SC)	1200983
		5/16" HOLE PLUG FOR THE BOTTOM	1201899

*Use the following prefixes for Enamel Parts:

232 - Red	132 - Sand	133 - Blue	231 - Green
AIR FLAP			*6710
BACK			*6767
BOTTOM			NA
SUBSTITUTE:			6764
FLUE COLLAR			*6561
FRONT			*6444
LEFT DOOR (AVAILABLE IN SAND & BLUE ONLY)			*6716
LEFT END (AVAILABLE IN SAND ONLY)			*6709
RIGHT DOOR			NA
RIGHT END (AVAILABLE IN RED & SAND ONLY)			*6723
THERMOSTAT COVER			*6711
TOP			NA
LEG 1			*6333
FRONT WITH DOORS RED			5006088
FRONT WITH DOORS SAND			5006092
FRONT WITH DOORS BLUE			5006097
FRONT WITH DOORS GREEN			5006090
SET OF 4 LEGS SAND			5006016
SET OF 4 LEGS RED			5006011
SET OF 4 LEGS BLUE			5006020
SET OF 4 LEGS GREEN			5006016

Hardware

1/4 - 20 X 1/2" PH RD HD MACHINE SCR (FIREBACK, DAMPER TAB)	1200895
1/4 - 20 X 5/8" SOCKET BUT HD CAP SCR (DAMPER)	1201529
1/4 - 20 X 3/4" KNURL CUP SOCKET SCR (DAMPER)	1200434
1/4 - 20 HEX NUT/ (DAMPER)	1203210
3/8 - 16 X 1 1/2 HEX HD CAP SCREW (LOWER FIREBACK CLAMP)	1201456

Gaskets

Below is a list of the type of gasket and the length needed on the Intrepid II 2070.

Location	Gasket Size	Quantity Needed	Part Number
BACK	3/16" FIBERGLASS	3.0'	1203556
DMP HOUSING	3/16" FIBERGLASS	1.5'	1203556
DMP HOUSING	5/16" FIBERGLASS/ NDLE MED DENS	2.5'	1203588
LEFT DOOR	5/16" FIBERGLASS/ 6 NDLE MED DENS	2.8'	1203588
GRIDDLE	5/16" ARMASEAL	3.6'	1203668
FLUE COLLAR	3/16" FIBERGLASS	2.5'	1203591
RIGHT DOOR	5/16" FIBERGLASS/ NDLE MED DENS	2.2'	1203588
GLASS PANEL	GASKET (1 PER DOOR)	1	1203517

Majestic reserves the right to make changes in design, materials, specifications, prices and discontinue colors and products at any time, without notice.

Accessories

Heat Shields	
#10 X 1/2 PH PAN HD SMS (2 USED)	1202058
1.25 SPACER (1 ONLY)	1601755
1/4-20 X 1/2 WING SCREW (4 USED)	1201621
BOTTOM HEAT SHIELD SPACERS (SET OF 4)	0005802
C -CLIP (4 USED)	1204015
INSTRUCTIONS	2002916
INSTRUCTIONS	2005095

Outside Air Duct Adaptor

3 " PIPE ELBOW	1401730
AIRDUCT	1403016
HORIZONTAL TEMPLATE	2004045
INSTRUCTIONS	2004041
REAR HEAT SHIELD TEMPLATE	2004066
VERTICAL TEMPLATE	2004044

Warming Shelf**

SHELF ALONE	1302254
BRACKET	1302272
HARDWARE	5007256

**For Enamel Shelf Parts, use the same prefixes Enamel Cast Parts (opposite column), in place of the 130 number.

THE
MAJESTIC
PRODUCTS COMPANY

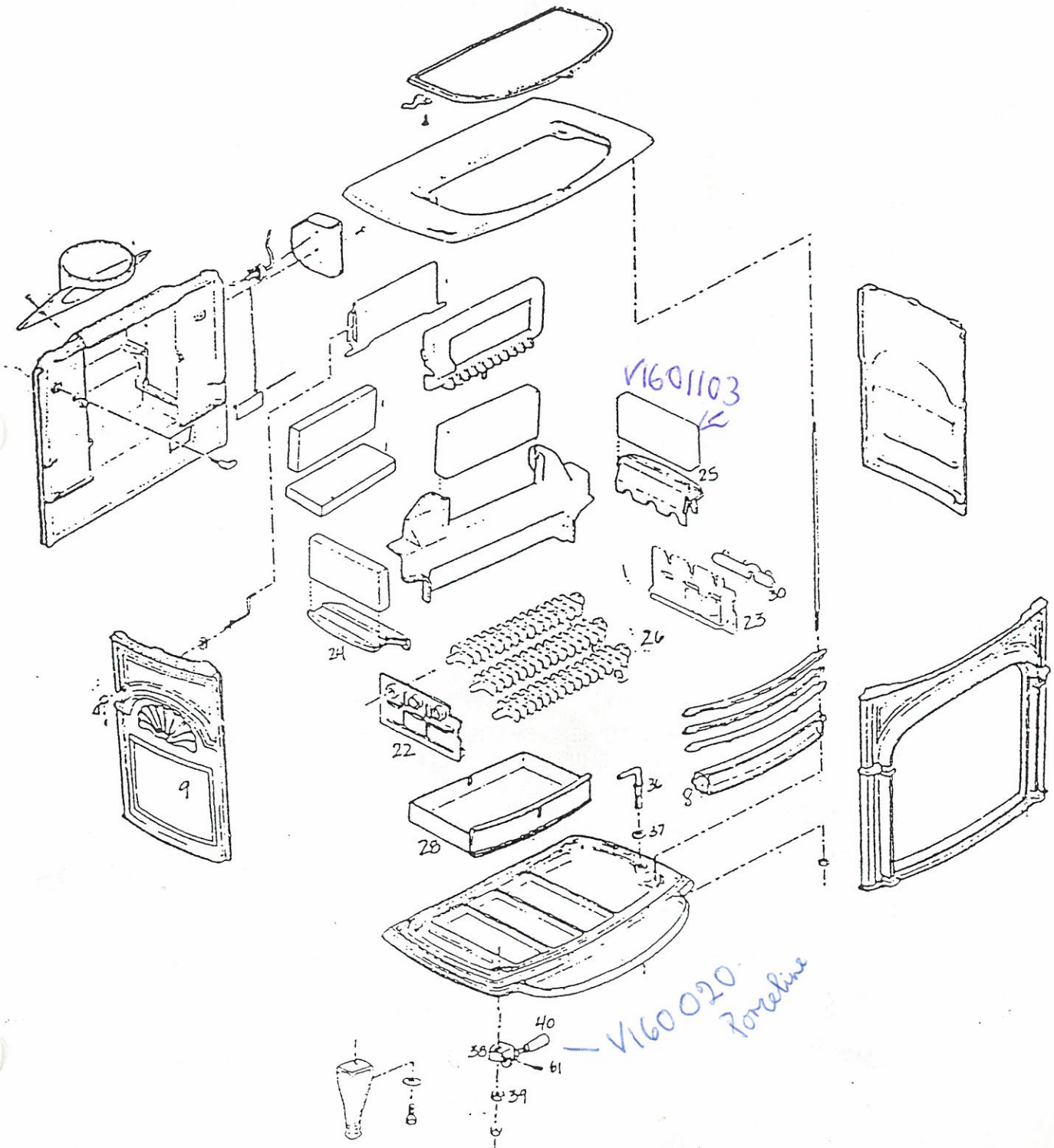
475 Admiral Blvd. • Mississauga, Ontario, Canada L5T 2N1 • 905-670-7885
1000 East Market St. • Huntington, IN 46750 USA • 219-356-8000
<http://www.majesticproducts.com>



VERMONT
CASTINGS

REPLACEMENT PARTS

INTREPID COAL STOVE MODEL 1315 & COAL KIT





Intrepid Coal Stove

MODEL # **1315 INTREPID COAL STOVE**
ALSO SOLD AS A COAL CONVERSION KIT

DIAGRAM #	ITEM #	PART DESCRIPTION
8	1306517	FRONT GRATE
20	1201899	SHAKER HOLE PLUG
22	NA	<i>LEFT-VERTICAL-GRATE</i>
23	NA	<i>RIGHT-VERTICAL-GRATE</i>
24	1306528	LEFT HORIZONTAL INSERT
25	1306534	RIGHT HORIZONTAL INSERT
26	1306557	BOTTOM GRATE INSERT
	5003720	BOTTOM GRATE WITH ARMS WELDED
	1306573	GRATE ARMS
28	NA	<i>COAL ASH PAN</i>
30	1306581	SHAKER LINKAGE
36	1600922	SHAKER ROD
37	1202452	WASHER
38	1306613	SHAKER CONNECTOR
39	1203290	SHAKER JAMB NUT
40	NA	<i>SHAKER HANDLE</i>

ACCESSORIES

HEAT SHIELDS

5007110 2" REAR HEAT SHIELD SPACERS (SET OF 4)
0005802 BOTTOM HEAT SHIELD SPACERS (4)

WARMING SHELF

1302254 SHELF ALONE
1302272 BRACKET
5007256 HARDWARE