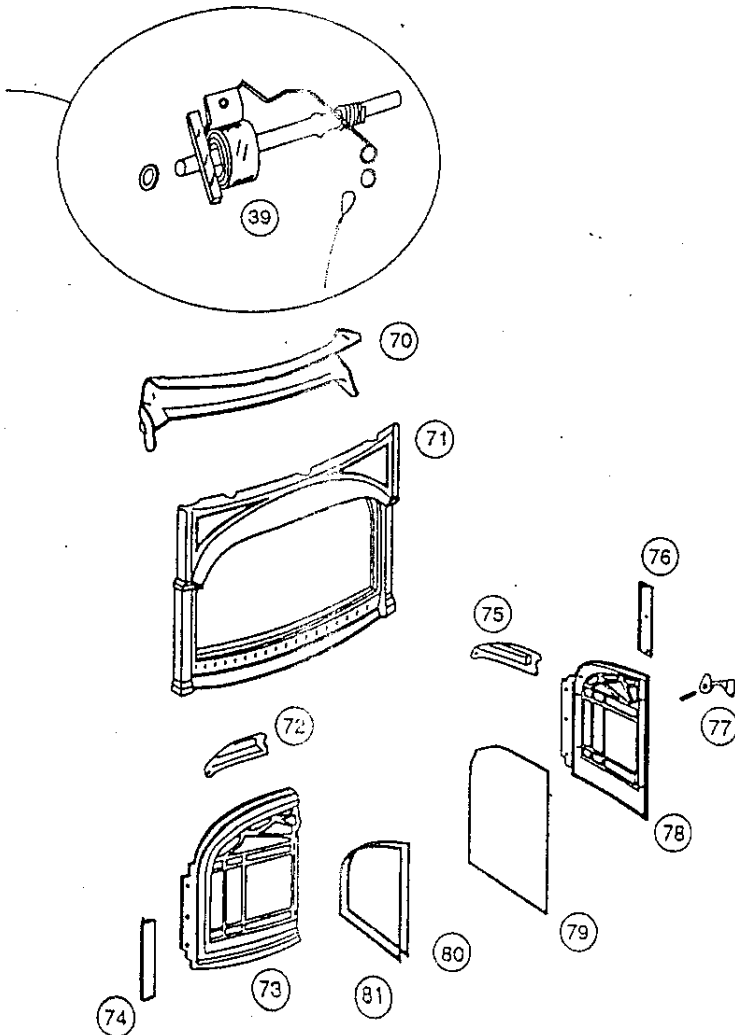


Exploded View and Parts List 3

1	Secondary Air Cover Plate	160-1492
2	Secondary Air Probe Ass'y	160-1489
3	Secondary Air Link	160-1486
4	Secondary Air Flap	160-1490
5	Flue Collar - 8"	130-4280
6	Back	130-8620
7	Left Heat Deflector	160-8629
8	Right Heat Deflector	160-8630
9	Refractory Ass'y - Body	160-2512
10	Canned Catalyst Block	160-2505
11	Refractory Ass'y - Cover	160-2511
15	Left Griddle Quad	130-1832
	Right Griddle Quad	130-1807
16	Griddle	130-0797
17	Griddle Handle Assembly	500-4022
18	Top	130-8618
19	Actuator Link	160-1034

20	Damper Handle Rod	160-1033
21	Wedge (2)	130-1810
22	Upper Fireback	130-8624
23	Damper	130-8626
24	Damper Tabs	160-1488
25	Torsion Bar	160-1035
26	Torsion Bar Clip	160-1036
27	Combustion Throat	130-8625
28	Lower Fireback	130-8627
30	Damper Handle Screw	120-1294
31	Ceramic Handle	160-0620
32	Handle Insert	160-0650
33	Steel Handle Stub	160-0608
34	Left End	130-8616
35	Left Air Plate	130-8621
36	Right Air Plate	130-8622
37	Right End	130-8617
38	Thermostat Handle	500-4264
39	Thermostat Assembly	500-5470
40	Flat Grate	130-7434
41	Pri. Air Tube Cover Plate	130-8609
42	Primary Air Frame	130-7411
43	Pri. Air Regulatory System	500-0337
44	Bottom	130-8604
45	Ash Lip	130-7406
50	Andiron (2)	130-7419
51	Leg (4)	130-7427
52	Levelling Bolt (4)	120-1745
53	Ash Drop	130-8603
54	Pawl	130-0515
55	Ash Door	130-8607
56	Ash Door Handle	160-0663
57	Ash Door Hinge Pin	120-8608
58	Cotter Pin	120-3029
59	Ash Door Hinge	130-8605
60	Ashpan	160-1025
61	Ashpan Bracket	160-1039
62	Ashpan Cover	160-1027
70	Front Air Manifold	130-8615
71	Front	130-8612
72	Left Door Manifold	130-7403
73	Left Door	130-8613
74	Left Door Hinge	130-7402
75	Right Door Manifold	130-7404
76	Right Door Hinge	130-7402
77	Door Handle Assembly	500-4225
78	Right Door	130-8614
79	Door Gasket	120-3588
80	Gasket for Glass	120-3556
81	Glass - Right Door	140-8629
	Glass - Left Door	140-8630



2 Exploded View and Parts List

1991 DEFIANT ENCORE
X-VIEW AND PARTS LIST
Model 2190

