

STOVAX

Classic Fireplaces



SPARE PARTS PRICE LIST

1st April 2009
(Issue 1)

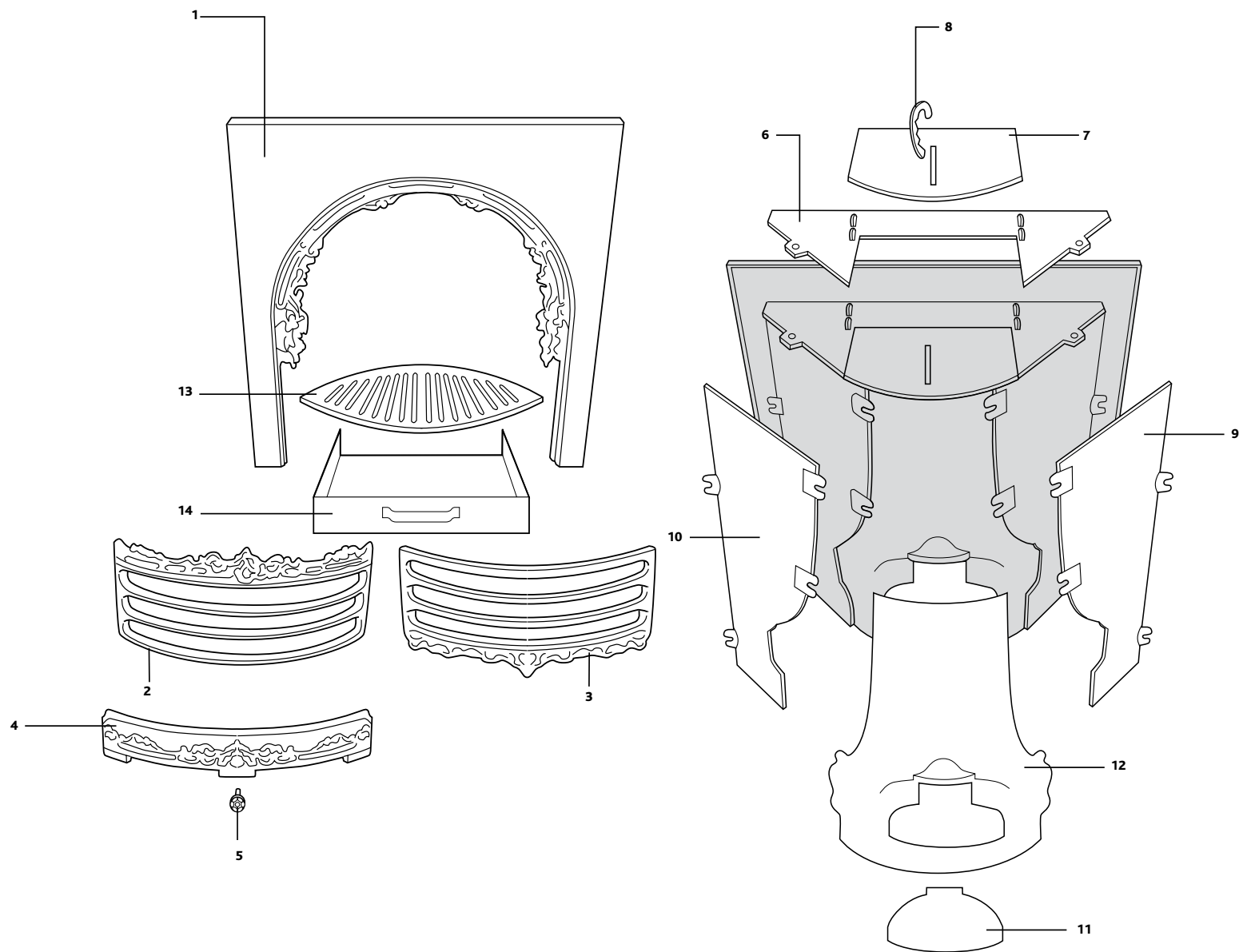
Customer Services Telephone (01392) 474000
Fax (01392) 219932



INDEX

CLASSIC FIREPLACES

| | |
|---------------------------------|----|
| Adelaide Insert | 4 |
| Arched Insert | 6 |
| Art Nouveau Tiled Convector | 8 |
| Art Nouveau Tiled Insert | 10 |
| Art Nouveau Tiled Front | 12 |
| Combination Fireplace | 14 |
| Combination Convector Fireplace | 16 |
| Horseshoe Insert | 18 |
| Poppy and Wheatsheaf Insert | 20 |
| Regency Hob Grate | 22 |
| Victorian Tiled Convector | 24 |
| Victorian Tiled Insert | 26 |
| Victorian Tiled Front | 28 |

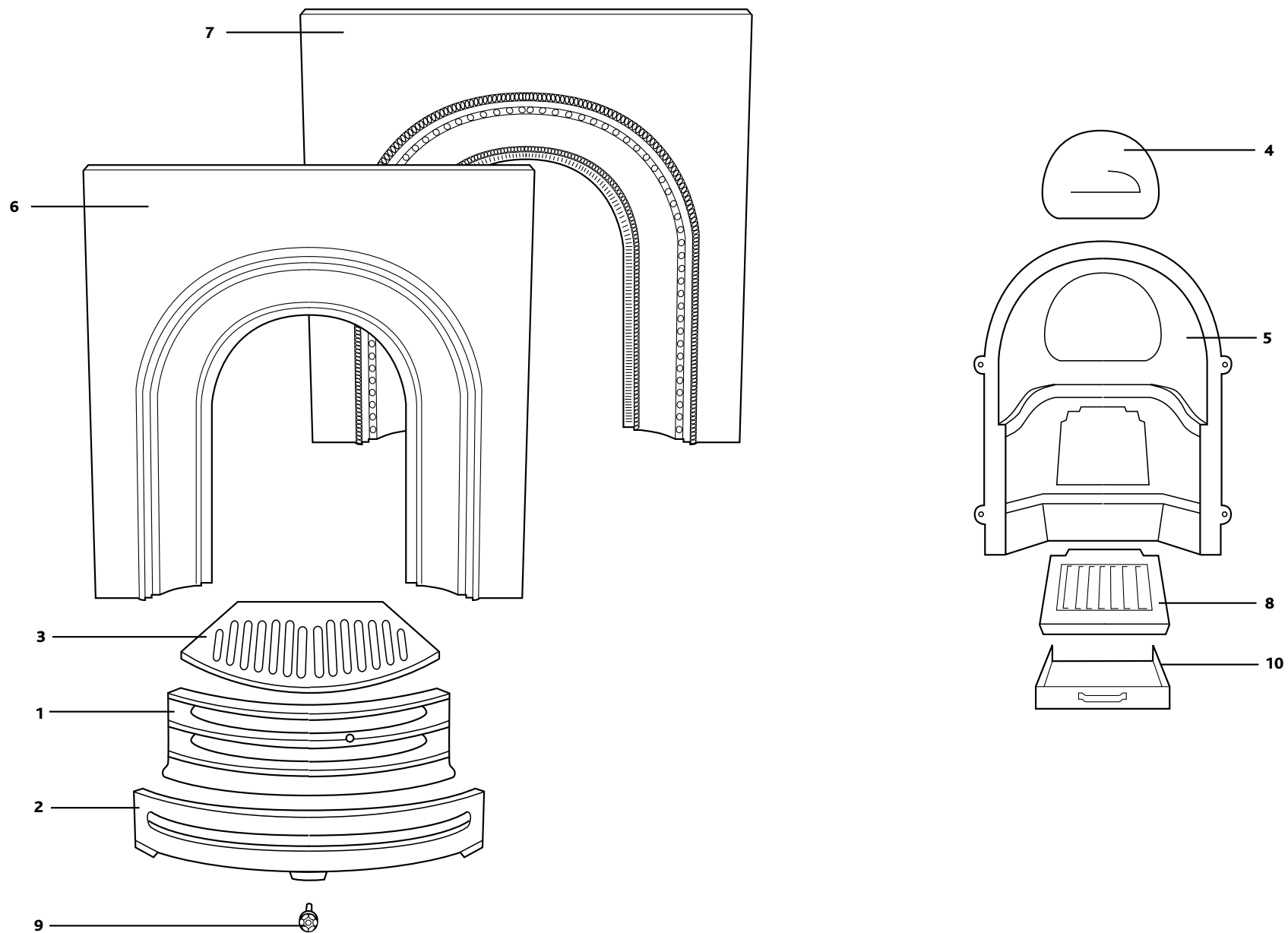


| Ref. No. | Product Code | Description | Casting No. | Retail inc VAT £ | Retail Ex VAT £ |
|----------|--------------|---|-------------|------------------|-----------------|
| 1 | A4 | Front plate, black | | 334.00 | 290.43 |
| 1 | A13 | Front plate, polished | | 418.00 | 363.48 |
| 2 | A2 | Front bars, black, for use with ashpan cover | | 59.00 | 51.30 |
| 2 | A12 | Front bars, polished, for use with ashpan cover | | 77.50 | 67.39 |
| 3 | A14 | Front bars, black, original version | | 59.00 | 51.30 |
| 3 | A16 | Front bars, polished, original version | | 77.50 | 67.39 |
| 4 | A1 | Ashpan cover, black, including knob | | 44.00 | 38.26 |
| 4 | A11 | Ashpan cover, polished, including knob | | 67.00 | 58.26 |
| 5 | V46 | Ashpan cover knob, black only | | 4.00 | 3.48 |
| 6 | A5 | Top Plate | | 44.00 | 38.26 |
| 7 | A6 | Baffle | | 35.50 | 30.87 |
| 8 | A10 | Ratchet | | 20.50 | 17.83 |
| 9 | A9 | Rear Side plate, left | | 98.50 | 85.65 |
| 10 | A8 | Rear Side plate, right | | 98.50 | 85.65 |
| 11 | A18 | Firebrick | | 25.00 | 21.74 |
| 12 | A19 | Centre plate, polished | | 260.50 | 226.52 |
| 12 | A20 | Centre plate, black | | 229.00 | 199.13 |
| 13 | A17 | Grate | | 38.00 | 33.04 |
| 14† | 4384† | Ashpan† | | † | † |

† See *Classic Fireplaces Price List*

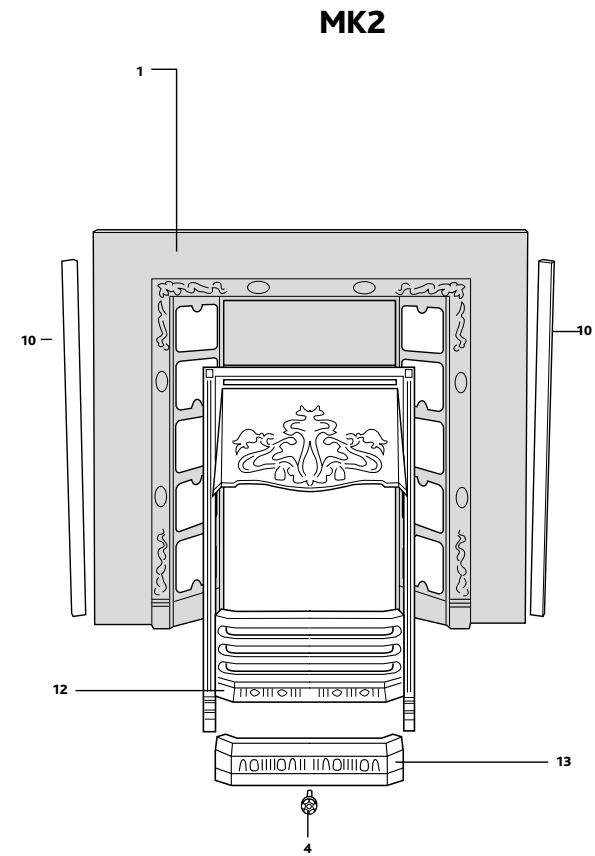
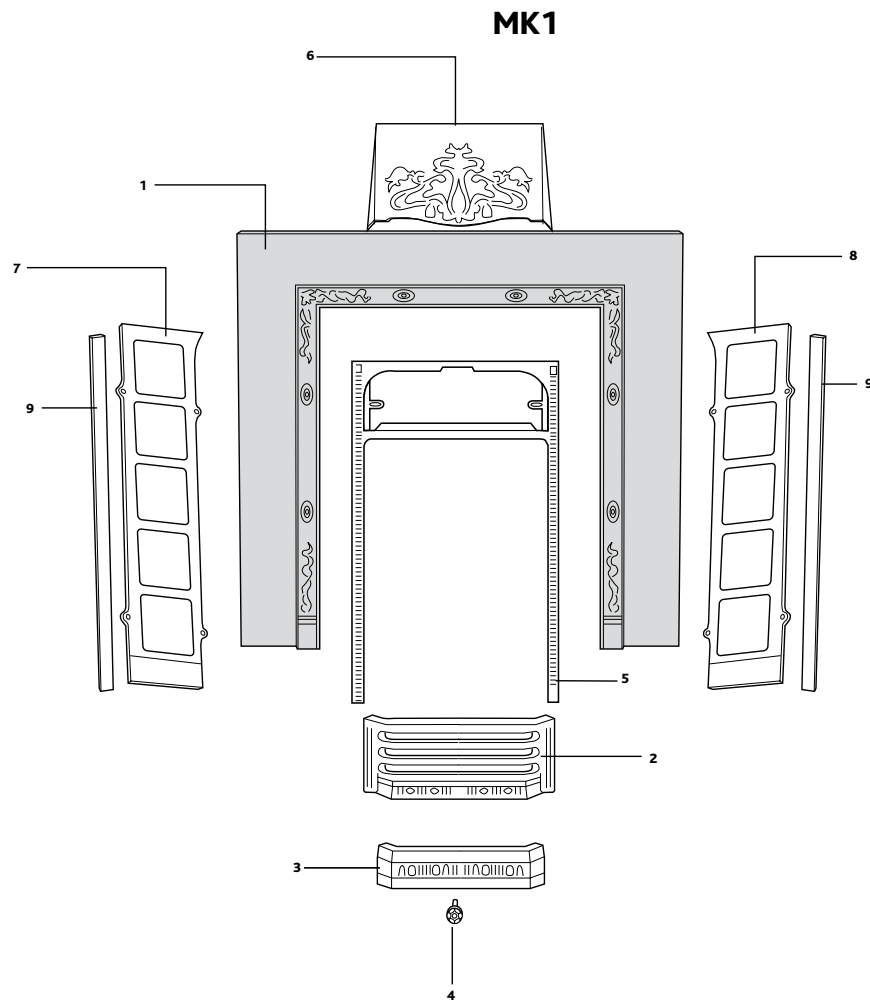
ARCHED INSERT CLASSIC FIREPLACE

STOVAX



| Ref. No. | Product Code | Description | Casting No. | Retail inc VAT £ | Retail Ex VAT £ |
|-----------------|-------------------|--|-------------|------------------|-----------------|
| 1 | AR1 | Front bars, black | | 59.00 | 51.30 |
| 1 | AR8 | Front bars, polished | | 80.00 | 69.57 |
| 1 | AR18 | Front bars, highlight polished | | 73.50 | 63.91 |
| 2 | AR2 | Ashpan cover, black, including knob | | 50.50 | 43.91 |
| 2 | AR9 | Ashpan cover, polished, including knob | | 75.50 | 65.65 |
| 2 | AR19 | Ashpan cover, highlight polished, including knob | | 69.50 | 60.43 |
| 3 | AR3 | Grate | | 35.50 | 30.87 |
| 4 | AR4 | Baffle, black, classical | | 44.00 | 38.26 |
| 4 | AR11 | Baffle, polished, classical | | 56.50 | 49.13 |
| 4 | AR14 | Baffle, black, decorative | | 50.50 | 43.91 |
| 4 | AR15 | Baffle, polished, decorative | | 63.00 | 54.78 |
| 5 | AR5 | Body, black | | 164.00 | 142.61 |
| 5 | AR10 | Body, polished | | 209.50 | 182.17 |
| 6 | AR6 | Front plate, black, classical | | 355.00 | 308.70 |
| 6 | AR12 | Front plate, polished, classical | | 586.00 | 509.57 |
| 6 | AR16 | Front plate, highlight polished, classical | | 466.00 | 405.22 |
| 7 | AR7 | Front plate, black, decorative | | 355.00 | 308.70 |
| 7 | AR13 | Front plate, polished, decorative | | 586.00 | 509.57 |
| 7 | AR17 | Front plate, highlight polished, decorative | | 466.00 | 405.22 |
| 8 | V1 | Firebrick | | 19.00 | 16.52 |
| 9 | V46 | Ashpan cover knob, black only | | 4.00 | 3.48 |
| 10 [†] | 4384 [†] | Ashpan [†] | | † | † |

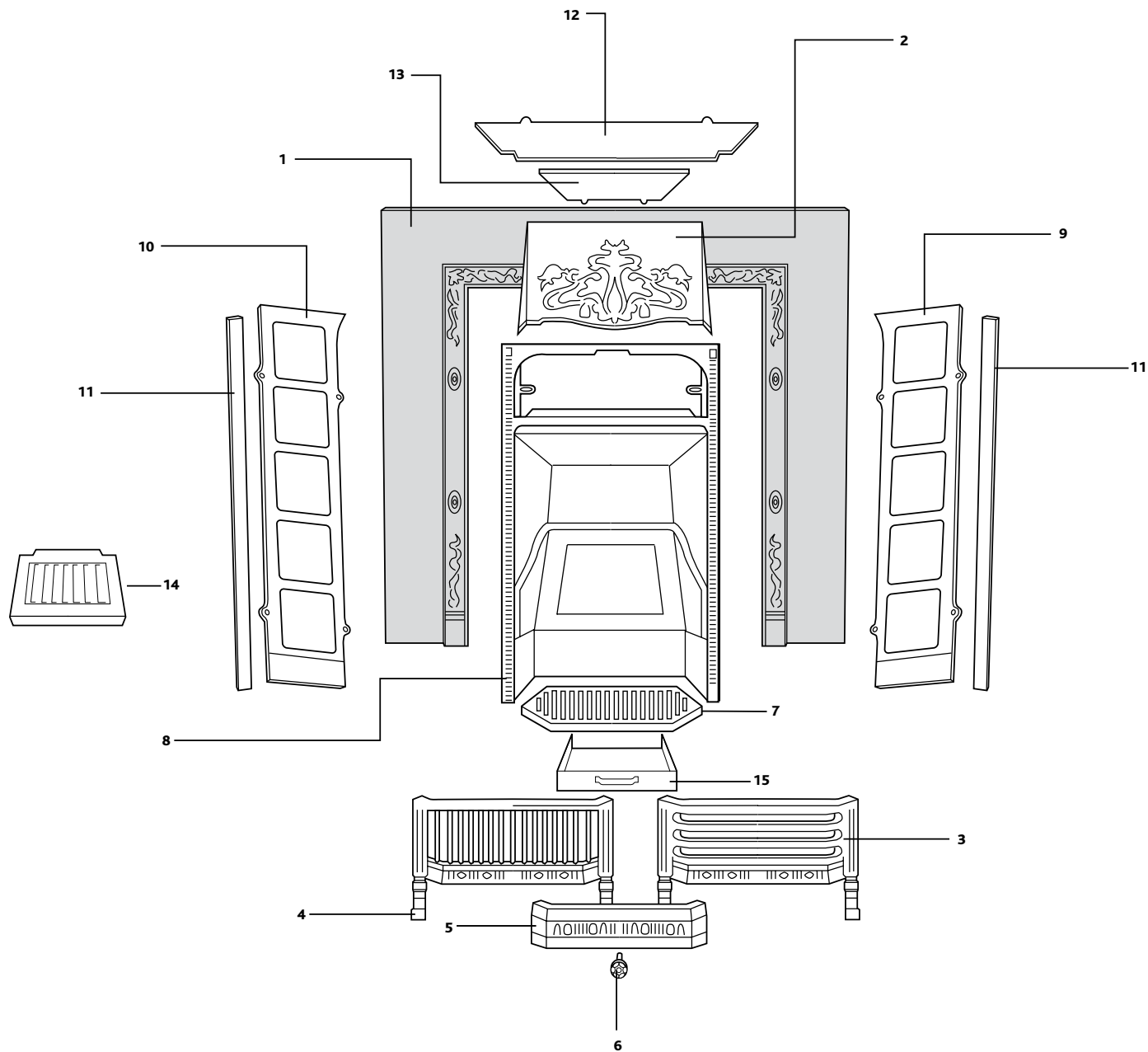
[†] See *Classic Fireplaces Price List*



| Ref. No. | Product Code | Description | Casting No. | Retail inc VAT £ | Retail Ex VAT £ |
|---|--------------|---|-------------|------------------|-----------------|
| ART NOUVEAU TILED CONVECTOR - MK 1 - SEPARATE HOOD & BARS | | | | | |
| 1 | AN20 | Front plate, matt black | | 264.50 | 230.00 |
| 1 | AN21 | Front plate, highlight polished | | 292.00 | 253.91 |
| 2 | V42 | Front bars, matt black | | 56.50 | 49.13 |
| 2 | V42SFC | Front bars, matt black, solid fuel version | | 61.00 | 53.04 |
| 2 | V43 | Front bars, highlight polished | | 77.50 | 67.39 |
| 2 | V43SFC | Front bars, highlight polished, solid fuel version | | 82.00 | 71.30 |
| 3 | V44 | Ashpan cover, matt black, including knob | | 44.00 | 38.26 |
| 3 | V44SFC | Ashpan cover, matt black, solid fuel version, inc. knob | | 61.00 | 53.04 |
| 3 | V45 | Ashpan cover, highlight polished, including knob | | 65.00 | 56.52 |
| 3 | V45SFC | Ashpan cover, highlight polished, solid fuel version, inc. knob | | 69.50 | 60.43 |
| 4 | V46 | Ashpan cover knob, black only | | 4.00 | 3.48 |
| 5 | V40 | Back plate, matt black | | 140.50 | 122.17 |
| 5 | V41 | Back plate, highlight polished | | 182.50 | 158.70 |
| 6 | AN22 | Convector hood, matt black | | POA | POA |
| 6 | AN23 | Convector hood, highlight polished | | POA | POA |
| 6 | AN25 | Convector hood, brass | | POA | POA |
| 7 | V38 | Tile ladder, LH | | 60.00 | 52.17 |
| 8 | V39 | Tile ladder, RH | | 60.00 | 52.17 |
| 9 | V12 | Tile securing bar, steel | | 9.50 | 8.26 |
| ART NOUVEAU TILED CONVECTOR - MK 2 - ONE PIECE HOOD & BARS | | | | | |
| 4 | V46 | Ashpan cover knob, black only | | 4.00 | 3.48 |
| 10 | PW3 | Tile securing bar, steel | | 9.50 | 8.26 |
| 11 | V51 | Front plate, matt black | | 399.00 | 346.96 |
| 11 | V52 | Front plate, highlight polished | | 430.50 | 374.35 |
| 11 | V52SP | Front plate, fully polished | | 430.50 | 374.35 |
| 12 | V53 | Inner plate, matt black | | 220.50 | 191.74 |
| 12 | V54 | Inner plate, highlight polished | | 262.50 | 228.26 |
| 13 | V55 | Ashpan cover, matt black, including knob | | 44.00 | 38.26 |
| 13 | V56 | Ashpan cover, highlight polished, including knob | | 65.00 | 56.52 |
| 13 | V56SP | Ashpan cover, specially polished (from 2002), including knob | | 75.50 | 65.65 |

ART NOUVEAU TILED INSERT CLASSIC FIREPLACE

STOVAX

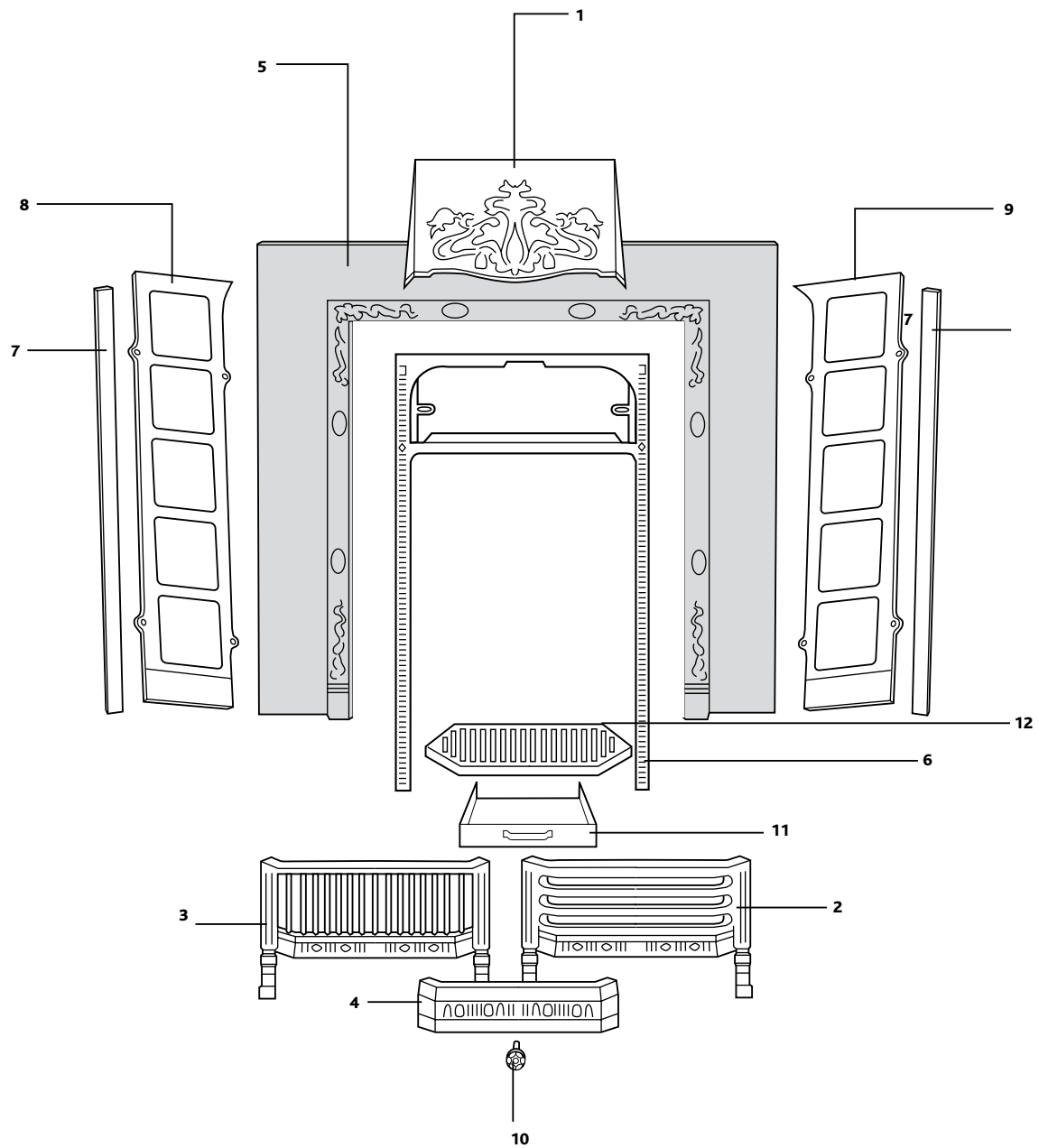


| Ref. No. | Product Code | Description | Casting No. | Retail inc VAT £ | Retail Ex VAT £ |
|-----------------|-------------------|--|-------------|------------------|-----------------|
| 1 | AN1 | Front plate, matt black | | 250.00 | 217.39 |
| 1 | AN2 | Front plate, highlight polished | | 292.00 | 253.91 |
| 2 | AN3 | Hood, matt black | | POA | POA |
| 2 | AN4 | Hood, highlight polished | | POA | POA |
| 2 | AN12 | Hood, brass | | POA | POA |
| 3 | AN7 | Front bars, matt black, solid fuel | | 61.00 | 53.04 |
| 3 | AN8 | Front bars, highlight polished, solid fuel | | 82.00 | 71.30 |
| 4 | AN26 | Front bars, matt black, gas, CE | | 75.50 | 65.65 |
| 4 | AN27 | Front bars, highlight polished, gas, CE | | 103.00 | 89.57 |
| 5 | AN9 | Ashpan cover, matt black, including knob | | 47.50 | 41.30 |
| 5 | AN10 | Ashpan cover, highlight polished, including knob | | 68.50 | 59.57 |
| 6 | V46 | Ashpan cover knob, black only | | 4.00 | 3.48 |
| 7 | AN11 | Grate | | 29.50 | 25.65 |
| 8 | AN13 | Body, matt black | | 201.50 | 175.22 |
| 8 | AN14 | Body, highlight polished | | 229.00 | 199.13 |
| 9 | V7 | Tile ladder, RH | | 60.00 | 52.17 |
| 10 | V11 | Tile ladder, LH | | 60.00 | 52.17 |
| 11 | V12 | Tile securing bar, steel | | 9.50 | 8.26 |
| 12 | V9 | Top baffle | | 31.50 | 27.39 |
| 13 | V10 | Bottom baffle | | 29.50 | 25.65 |
| 14 | V1 | Firebrick | | 19.00 | 16.52 |
| 15 [†] | 4395 [†] | Ashpan [†] | | † | † |

[†] See *Classic Fireplaces Price List*

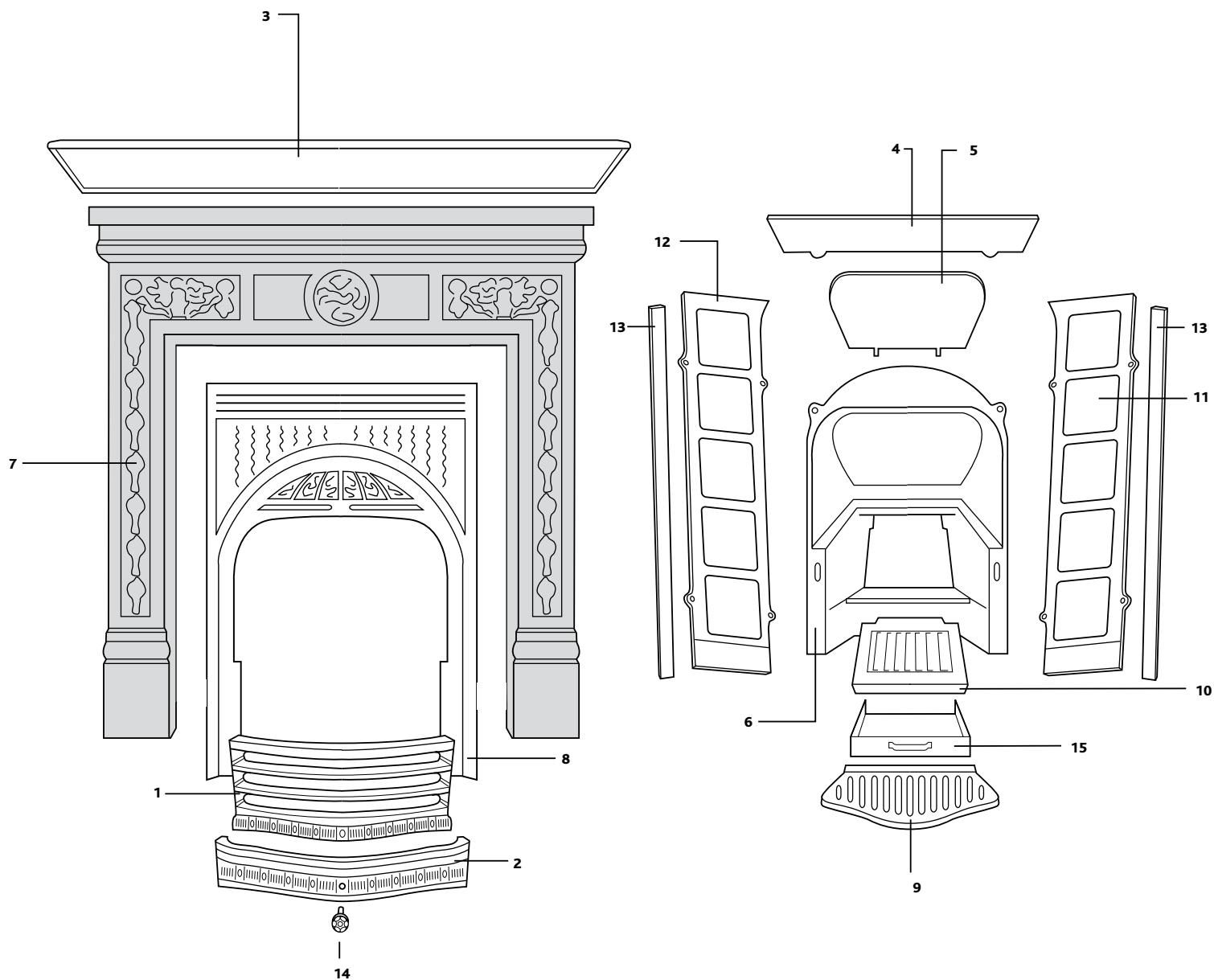
ART NOUVEAU TILED FRONT CLASSIC FIREPLACE

STOVAX



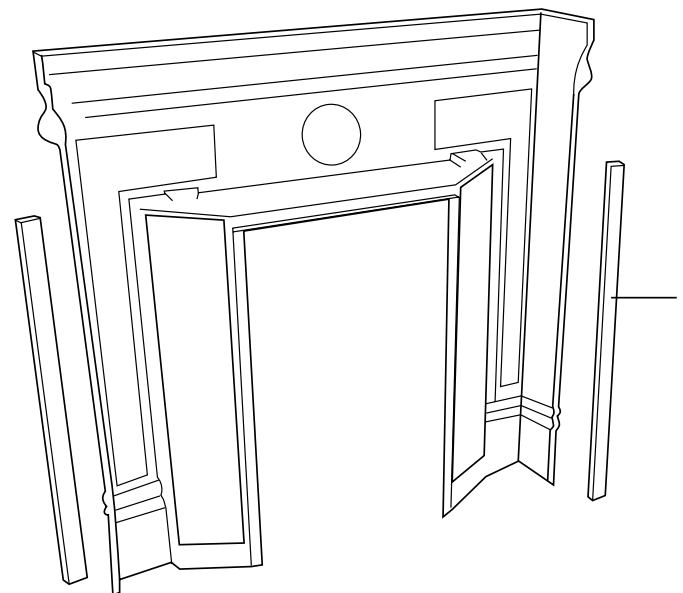
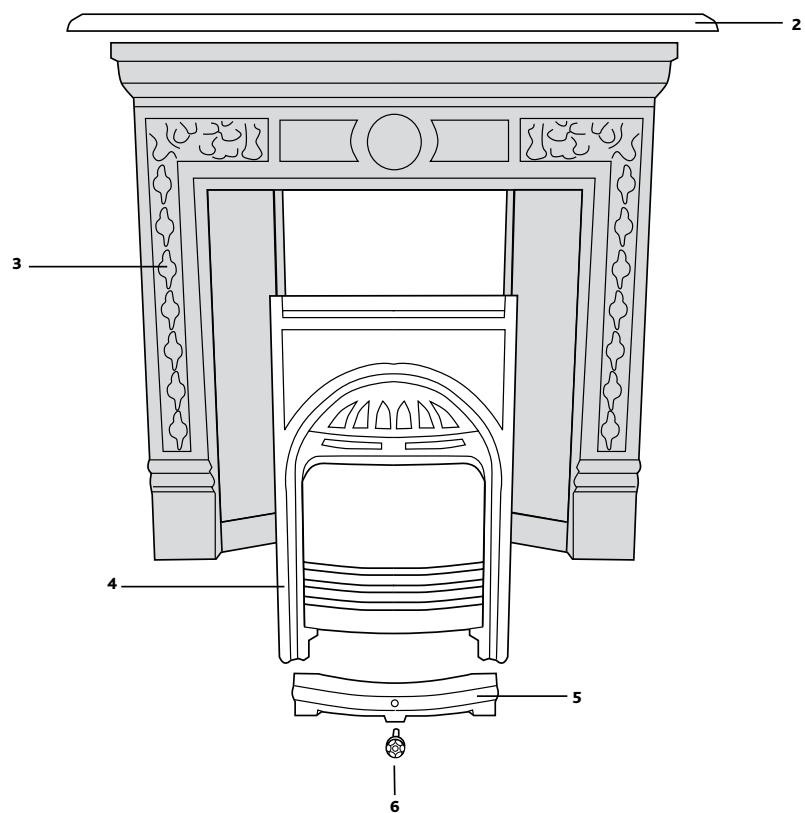
| Ref. No. | Product Code | Description | Casting No. | Retail inc VAT £ | Retail Ex VAT £ |
|----------|--------------|--|-------------|------------------|-----------------|
| 1 | AN3 | Hood, matt black | | POA | POA |
| 1 | AN4 | Hood, highlight polished | | POA | POA |
| 1 | AN12 | Hood, brass | | POA | POA |
| 2 | AN7 | Front bars, matt black, solid fuel | | 61.00 | 53.04 |
| 2 | AN8 | Front bars, highlight polished, solid fuel | | 82.00 | 71.30 |
| 3 | AN26 | Front bars, matt black, gas, CE | | 75.50 | 65.65 |
| 3 | AN27 | Front bars, highlight polished, gas, CE | | 103.00 | 89.57 |
| 4 | AN9 | Ashpan cover, matt black, including knob | | 47.50 | 41.30 |
| 4 | AN10 | Ashpan cover, highlight polished, including knob | | 68.50 | 59.57 |
| 5 | AN20 | Front plate, matt black | | 264.50 | 230.00 |
| 5 | AN21 | Front plate, highlight polished | | 292.00 | 253.91 |
| 6 | AN17 | Back plate, matt black | | 82.00 | 71.30 |
| 6 | AN18 | Back plate, highlight polished | | 115.50 | 100.43 |
| 7 | V12 | Tile securing bar, steel | | 9.50 | 8.26 |
| 8 | V32 | Tile ladder, LH | | 60.00 | 52.17 |
| 9 | V33 | Tile ladder, RH | | 60.00 | 52.17 |
| 10 | V46 | Ashpan cover knob, black only | | 4.00 | 3.48 |
| 11† | 4406† | Ashpan† | | † | † |
| 12† | 4908† | Milner grate† | | † | † |

† See *Classic Fireplaces Price List*



| Ref. No. | Product Code | Description | Casting No. | Retail inc VAT £ | Retail Ex VAT £ |
|-----------------|-------------------|--|-------------|------------------|-----------------|
| 1 | C1 | Front bars, black | | 54.50 | 47.39 |
| 1 | C9 | Front bars, polished | | 75.50 | 65.65 |
| 2 | C2 | Ashpan cover, black, including knob | | 44.00 | 38.26 |
| 2 | C10 | Ashpan cover, polished, including knob | | 67.00 | 58.26 |
| 3 | C3 | Mantelshelf | | 88.00 | 76.52 |
| 4 | C4 | Top baffle | | 40.00 | 34.78 |
| 5 | C5 | Bottom baffle | | 40.00 | 34.78 |
| 6 | C6 | Body | | 178.50 | 155.22 |
| 7 | C7 | Outer front plate, black | | 418.00 | 363.48 |
| 7 | C11 | Outer front plate, polished | | 460.00 | 400.00 |
| 8 | C8 | Inner front plate, black | | 134.50 | 116.96 |
| 8 | C12 | Inner front plate, polished | | 178.50 | 155.22 |
| 9 | C13 | Grate | | 35.50 | 30.87 |
| 10 | V1 | Firebrick | | 19.00 | 16.52 |
| 11 | V7 | Tile ladder, RH | | 60.00 | 52.17 |
| 12 | V11 | Tile ladder, LH | | 60.00 | 52.17 |
| 13 | V12 | Tile securing bar, steel | | 9.50 | 8.26 |
| 14 | V46 | Ashpan cover knob, black only | | 4.00 | 3.48 |
| 15 [†] | 4385 [†] | Ashpan [†] | | † | † |

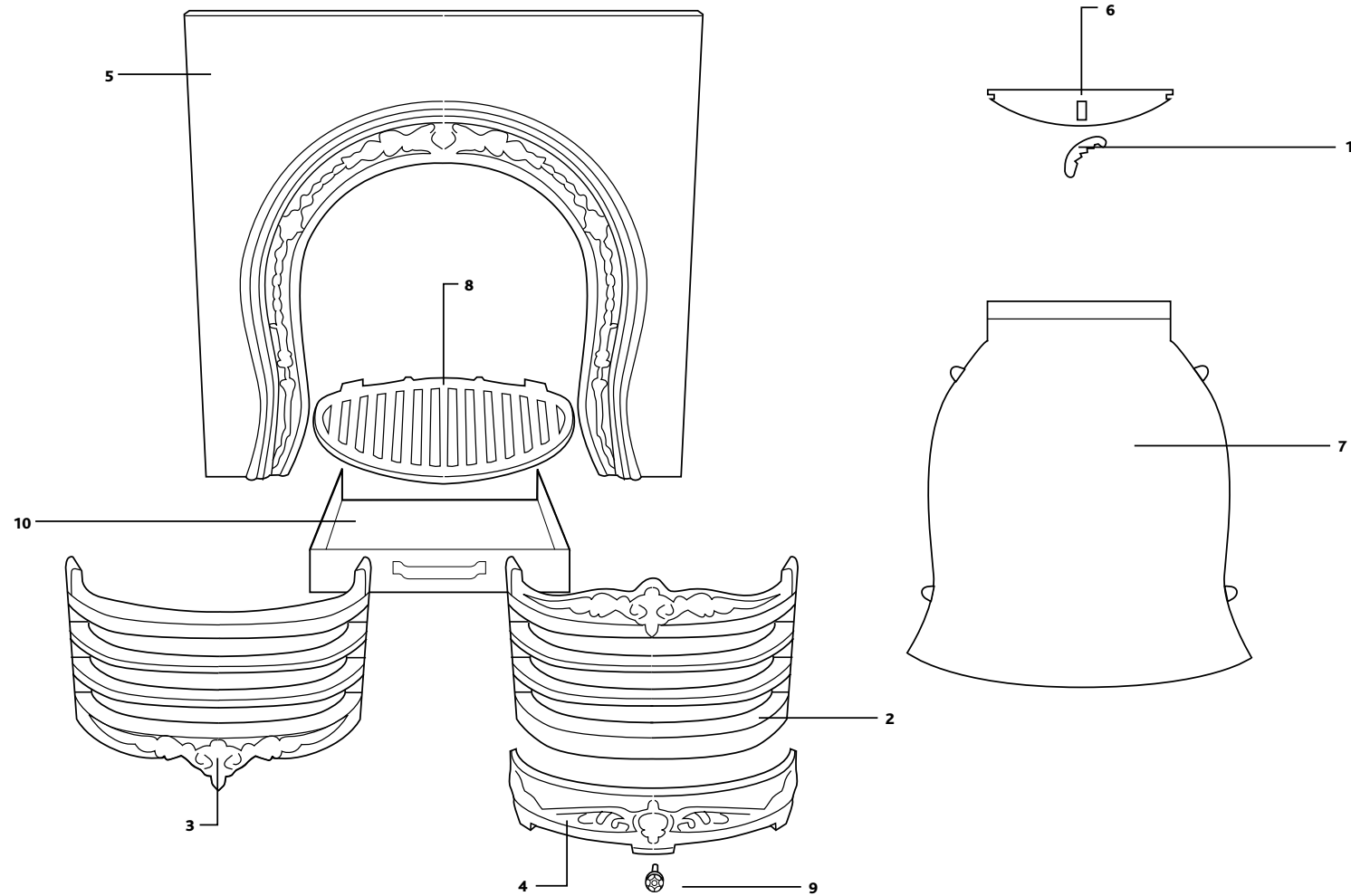
[†] See *Classic Fireplaces Price List*



| Ref. No. | Product Code | Description | Casting No. | Retail inc VAT £ | Retail Ex VAT £ |
|----------|--------------|--|-------------|------------------|-----------------|
| 1 | PW3 | Tile securing bar, steel | | 9.50 | 8.26 |
| 2 | C14 | Shelf | | 145.00 | 126.09 |
| 3 | C15 | Outer front plate, black | | 932.50 | 810.87 |
| 3 | C18 | Outer front plate, polished | | 1,048.00 | 911.30 |
| 4 | C16 | Inner front plate, black | | 182.50 | 158.70 |
| 4 | C19 | Inner front plate, polished | | 208.00 | 180.87 |
| 5 | C17 | Ashpan cover, black, including knob | | 44.00 | 38.26 |
| 5 | C20 | Ashpan cover, polished, including knob | | 67.00 | 58.26 |
| 6 | V46 | Ashpan cover knob, black only | | 4.00 | 3.48 |

HORSESHOE INSERT CLASSIC FIREPLACE

STOVAX

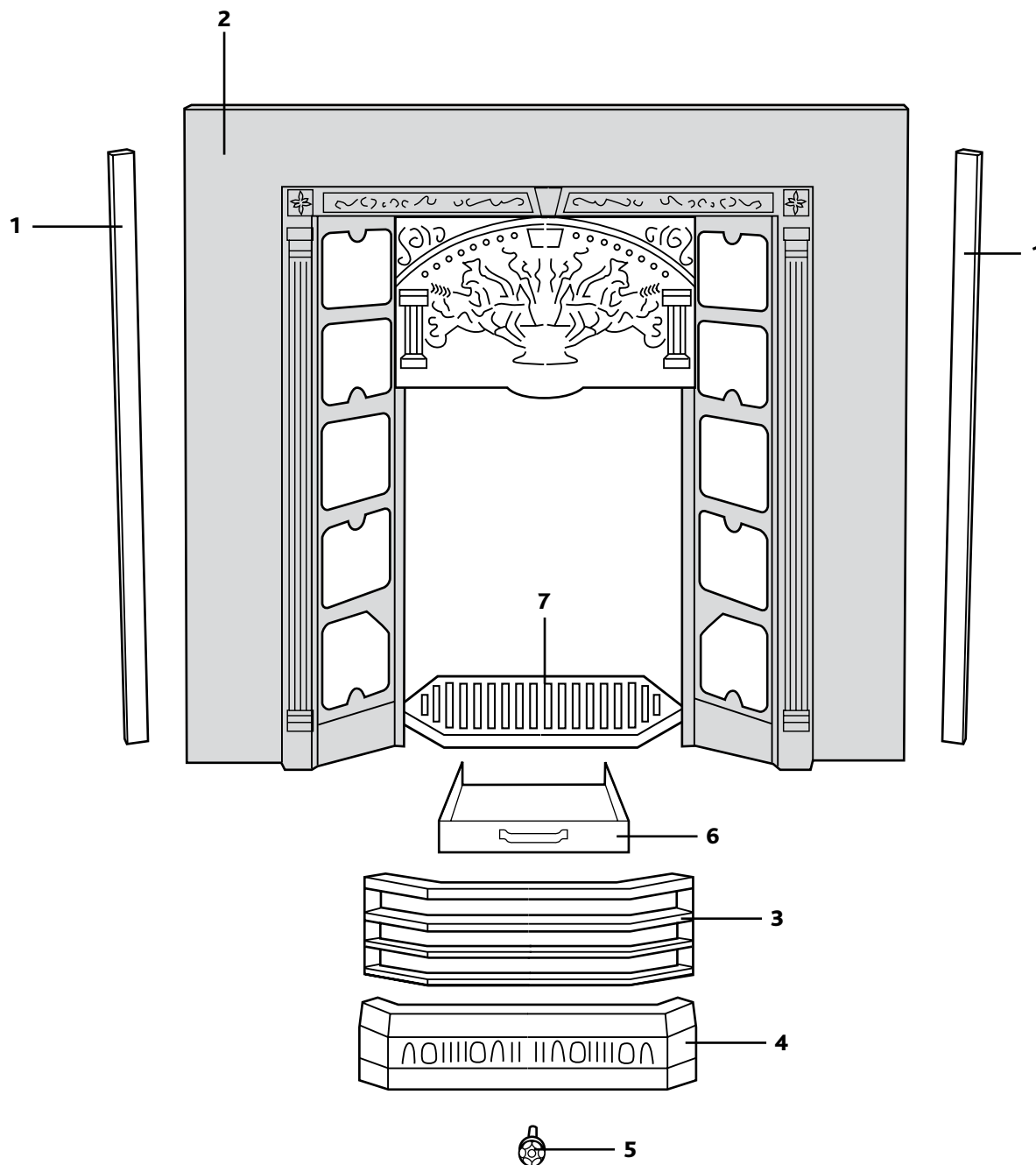


| Ref. No. | Product Code | Description | Casting No. | Retail inc VAT £ | Retail Ex VAT £ |
|-----------------|-------------------|---|-------------|------------------|-----------------|
| 1 | A10 | Ratchet | | 20.50 | 17.83 |
| 2 | H1 | Front bars, black, for use with ashpan cover | | 69.50 | 60.43 |
| 2 | H3 | Front bars, highlight polished, for use with ashpan cover | | 82.00 | 71.30 |
| 2 | H14 | Front bars, polished, for use with ashpan cover | | 92.50 | 80.43 |
| 3 | H2 | Front bars, black, original version | | 69.50 | 60.43 |
| 3 | H4 | Front bars, highlight polished, original version | | 82.00 | 71.30 |
| 3 | H18 | Front bars, polished, original version | | 92.50 | 80.43 |
| 4 | H5 | Ashpan cover, black, including knob | | 50.50 | 43.91 |
| 4 | H6 | Ashpan cover, highlight polished, including knob | | 63.00 | 54.78 |
| 4 | H15 | Ashpan cover, polished, including knob | | 82.00 | 71.30 |
| 5 | H8 | Front plate, black | | 334.00 | 290.43 |
| 5 | H9 | Front plate, highlight polished | | 376.00 | 326.96 |
| 5 | H16 | Front plate, polished | | 441.00 | 383.48 |
| 6 | H10 | Baffle | | 42.00 | 36.52 |
| 7 | H11 | Body, black | | 273.00 | 237.39 |
| 7 | H13 | Body, highlight polished | | 325.50 | 283.04 |
| 7 | H17 | Body, polished | | 325.50 | 283.04 |
| 8 | H12 | Grate | | 35.50 | 30.87 |
| 9 | V46 | Ashpan Cover knob, black only | | 4.00 | 3.48 |
| 10 [†] | 4383 [†] | Ashpan [†] | | † | † |

[†] See Classic Fireplaces Price List

POPPY & WHEATSHEAF TILED FRONT CLASSIC FIREPLACE

STOVAX

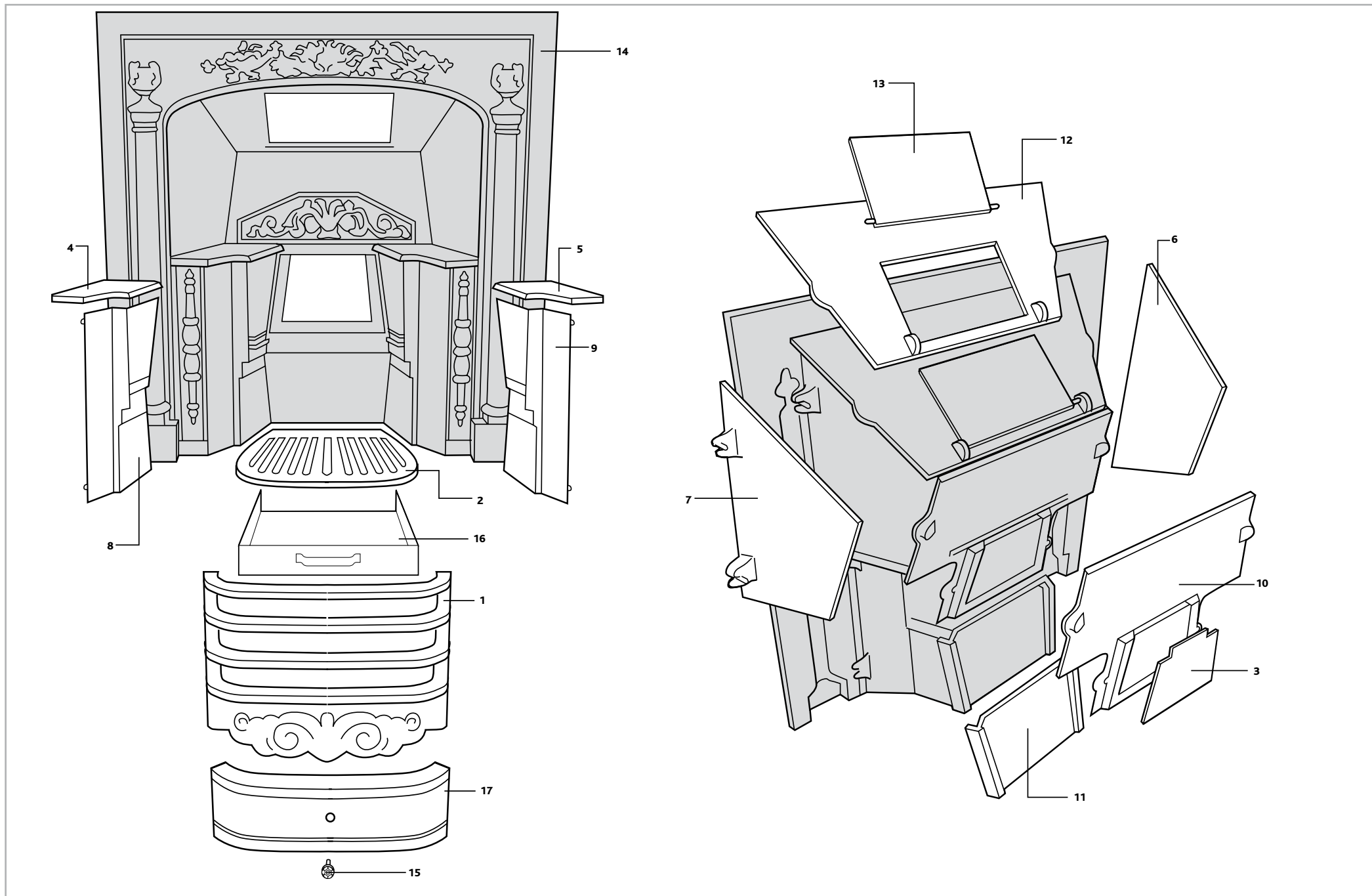


| Ref. No. | Product Code | Description | Casting No. | Retail inc VAT £ | Retail Ex VAT £ |
|----------|--------------|-------------------------------|-------------|------------------|-----------------|
| 1 | PW3 | Tile securing bar, steel | | 9.50 | 8.26 |
| 2 | PW5 | Front body | | 367.50 | 319.57 |
| 3 | PW4 | Front bars | | 56.50 | 49.13 |
| 4 | PW2 | Ashpan cover, including knob | | 44.00 | 38.26 |
| 5 | V46 | Ashpan cover knob, black only | | 4.00 | 3.48 |
| 6† | 4342† | Ashpan† | | † | † |
| 7† | 4220† | Grate† | | † | † |

† See *Classic Fireplaces Price List*

REGENCY HOB GRATE CLASSIC FIREPLACE

STOVAX

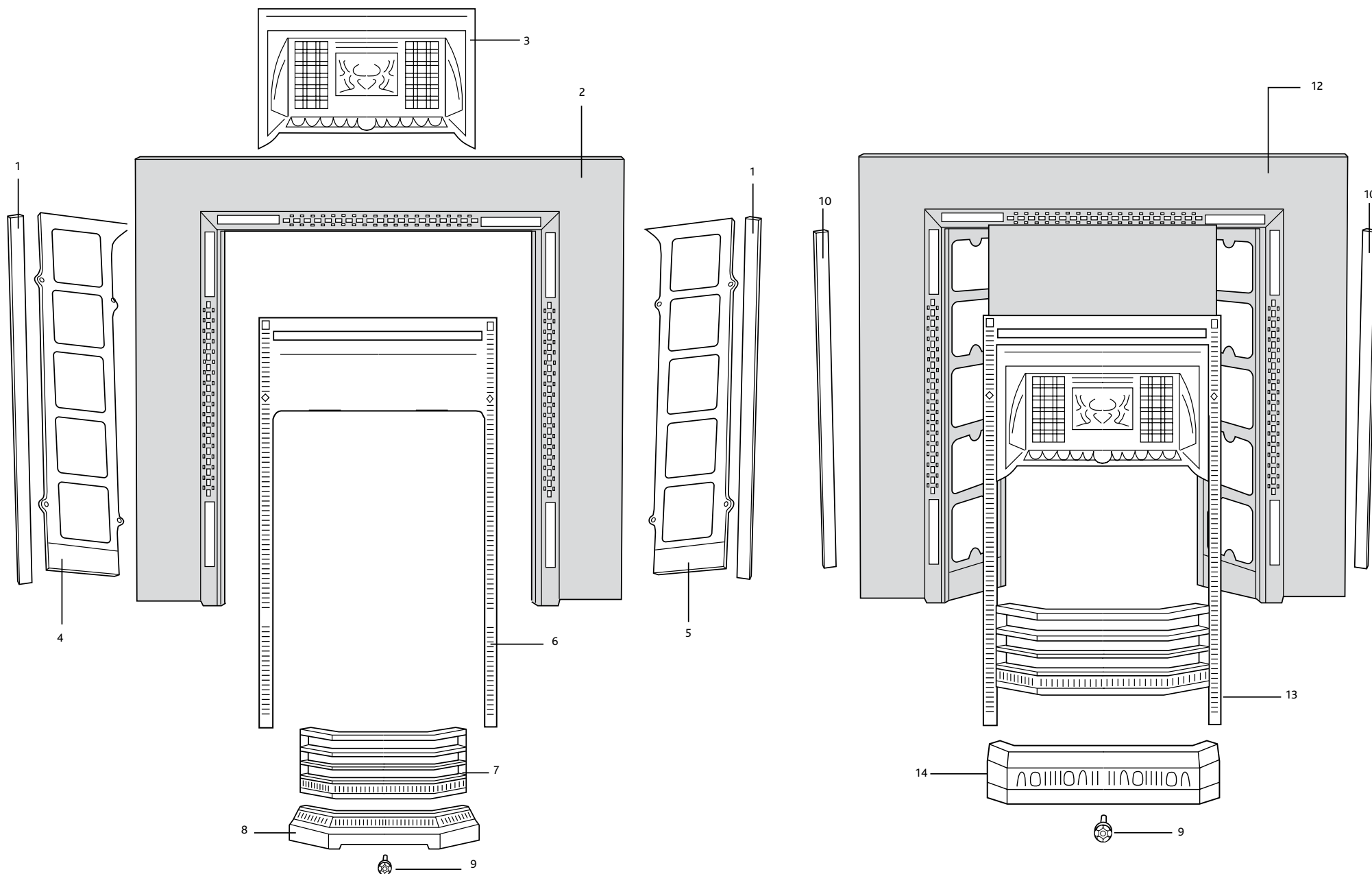


| Ref. No. | Product Code | Description | Casting No. | Retail inc VAT £ | Retail Ex VAT £ |
|-----------------|-------------------|---|-------------|------------------|-----------------|
| 1 | HB1 | Front Bars, black | | 69.50 | 60.43 |
| 1 | HB15 | Front bars, polished | | 92.50 | 80.43 |
| 2 | HB2 | Grate | | 33.50 | 29.13 |
| 3 | HB3 | Cast firebrick | | 67.00 | 58.26 |
| 4 | HB4 | Shelf LH | | 27.50 | 23.91 |
| 5 | HB5 | Shelf RH | | 27.50 | 23.91 |
| 6 | HB6 | Top side plate LH | | 44.00 | 38.26 |
| 7 | HB7 | Top side plate RH | | 44.00 | 38.26 |
| 8 | HB8 | Bottom side plate LH | | 54.50 | 47.39 |
| 9 | HB9 | Bottom side plate RH | | 54.50 | 47.39 |
| 10 | HB10 | Centre back plate, black | | 98.50 | 85.65 |
| 10 | HB16 | Centre back plate, polished | | 126.00 | 109.57 |
| 11 | HB11 | Bottom back plate | | 42.00 | 36.52 |
| 12 | HB12 | Top Plate | | 86.00 | 74.78 |
| 13 | HB13 | Baffle | | 33.50 | 29.13 |
| 14 | HB14 | Front plate, black | | 334.00 | 290.43 |
| 14 | HB17 | Front plate, polished | | 441.00 | 383.48 |
| 15 | HB18 | Ashpan cover knob, black | | 4.00 | 3.48 |
| 16 [†] | 4374 [†] | Ashpan [†] | | † | † |
| 17 [†] | 4291 [†] | Ashpan cover, black, including knob [†] | | † | † |
| 17 [†] | 4292 [†] | Ashpan cover, polished, including knob [†] | | † | † |

[†] See *Classic Fireplaces Price List*

MK1

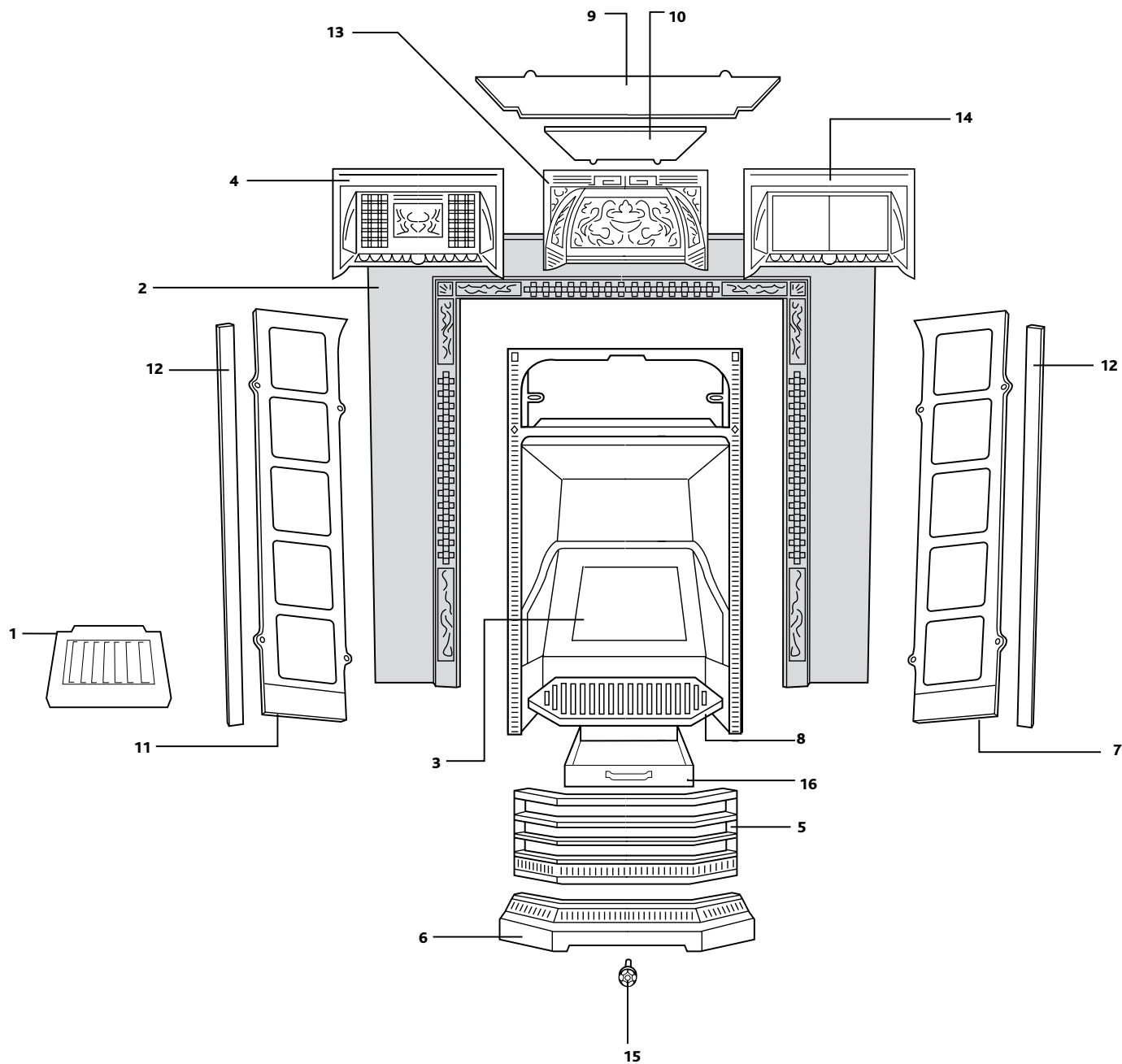
MK2



| Ref. No. | Product Code | Description | Casting No. | Retail inc VAT £ | Retail Ex VAT £ |
|---|--------------|---|-------------|------------------|-----------------|
| VICTORIAN TILED CONVECTOR - MK 1 - SEPARATE HOOD & BARS | | | | | |
| 1 | V12 | Tile securing bar, steel | | 9.50 | 8.26 |
| 2 | V26 | Front plate, matt black | | 262.50 | 228.26 |
| 2 | V27 | Front plate, highlight polished | | 292.00 | 253.91 |
| 3 | V36 | Convector hood, matt black | | POA | POA |
| 3 | V37 | Convector hood, highlight polished | | POA | POA |
| 4 | V38 | Tile ladder, LH | | 60.00 | 52.17 |
| 5 | V39 | Tile ladder, RH | | 60.00 | 52.17 |
| 6 | V40 | Back plate, matt black | | 140.50 | 122.17 |
| 6 | V41 | Back plate, highlight polished | | 182.50 | 158.70 |
| 7 | V42 | Front bars, matt black | | 56.50 | 49.13 |
| 7 | V42SFC | Front bars, matt black, solid fuel version | | 61.00 | 53.04 |
| 7 | V43 | Front bars, highlight polished | | 77.50 | 67.39 |
| 7 | V43SFC | Front bars, highlight polished, solid fuel version | | 82.00 | 71.30 |
| 8 | V44 | Ashpan cover, matt black, inc. knob | | 44.00 | 38.26 |
| 8 | V44SFC | Ashpan cover, matt black, solid fuel version, inc. knob | | 61.00 | 53.04 |
| 8 | V45 | Ashpan cover, highlight polished, inc. knob | | 65.00 | 56.52 |
| 8 | V45SFC | Ashpan cover, highlight polished, solid fuel version, inc. knob | | 69.50 | 60.43 |
| 9 | V46 | Ashpan cover knob, black only | | 4.00 | 3.48 |
| VICTORIAN TILED CONVECTOR - MK 2 - ONE PIECE HOOD & BARS | | | | | |
| 9 | V46 | Ashpan cover knob, black only | | 4.00 | 3.48 |
| 10 | PW3 | Tile securing bar, steel | | 9.50 | 8.26 |
| 11 | V47 | Front plate, matt black | | 399.00 | 346.96 |
| 11 | V48 | Front plate, highlight polished | | 430.50 | 374.35 |
| 11 | V48FP | Front plate, fully polished | | 586.00 | 509.57 |
| 12 | V49 | Inner plate, matt black | | 220.50 | 191.74 |
| 12 | V50 | Inner plate, highlight polished | | 262.50 | 228.26 |
| 13 | V55 | Ashpan cover, matt black, inc. knob | | 44.00 | 38.26 |
| 13 | V56 | Ashpan cover, highlight polished, inc. knob | | 65.00 | 56.52 |
| 13 | V56FP | Ashpan cover, fully polished, inc. knob | | 94.50 | 82.17 |
| 13 | V56SP | Ashpan cover, specially polished (from 2002), inc. knob | | 75.50 | 65.65 |

VICTORIAN TILED INSERT CLASSIC FIREPLACE

STOVAX

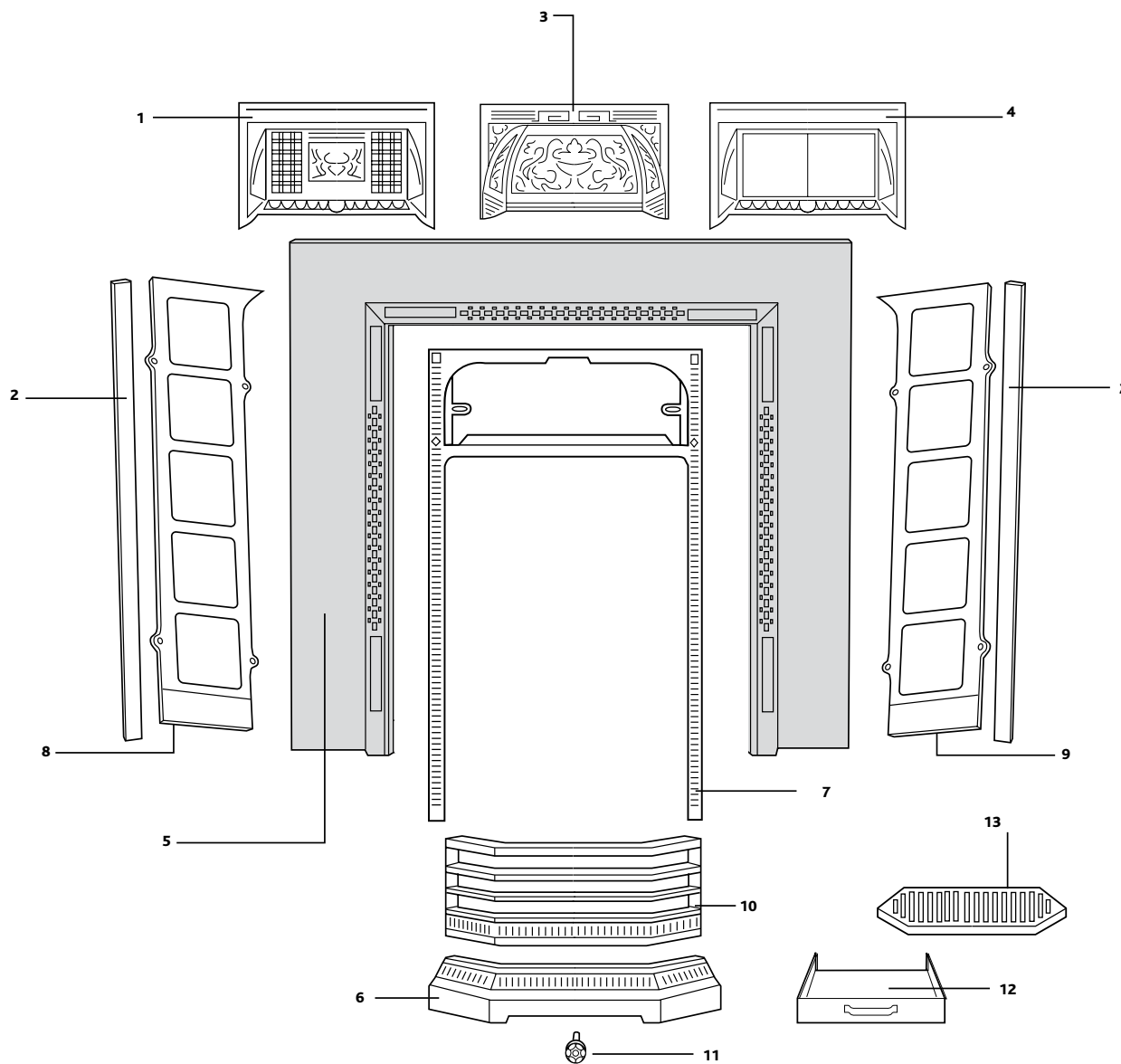


| Ref. No. | Product Code | Description | Casting No. | Retail inc VAT £ | Retail Ex VAT £ |
|-----------------|-------------------|--|-------------|------------------|-----------------|
| 1 | V1 | Firebrick | | 19.00 | 16.52 |
| 2 | V2 | Front plate, matt black | | 262.50 | 228.26 |
| 2 | V13 | Front plate, highlight polished | | 313.00 | 272.17 |
| 2 | V13FP | Front plate, fully polished | | 481.00 | 418.26 |
| 3 | V3 | Body, matt black | | 208.00 | 180.87 |
| 3 | V17 | Body, highlight polished | | 231.00 | 200.87 |
| 4 | V4 | Floral hood, matt black | | POA | POA |
| 4 | V16 | Floral hood, highlight polished | | POA | POA |
| 5 | V5 | Front bars, matt black | | 54.50 | 47.39 |
| 5 | V15 | Front bars, highlight polished | | 75.50 | 65.65 |
| 5 | V15SP | Front bars, specially polished (from 2002) | | 92.50 | 80.43 |
| 6 | V6 | Ashpan cover, matt black, including knob | | 44.00 | 38.26 |
| 6 | V14 | Ashpan cover, highlight polished, including knob | | 65.00 | 56.52 |
| 6 | V14SP | Ashpan cover, specially polished (from 2002), including knob | | 75.50 | 65.65 |
| 7 | V7 | Tile ladder, RH | | 60.00 | 52.17 |
| 7 | V7SP | Tile ladder, RH, specially polished (from 2002) | | 70.50 | 61.30 |
| 8 | V8 | Grate | | 33.50 | 29.13 |
| 9 | V9 | Top baffle | | 31.50 | 27.39 |
| 10 | V10 | Bottom baffle | | 29.50 | 25.65 |
| 11 | V11 | Tile ladder, LH | | 60.00 | 52.17 |
| 11 | V11SP | Tile ladder, LH, specially polished (from 2002) | | 70.50 | 61.30 |
| 12 | V12 | Tile securing bar, steel | | 9.50 | 8.26 |
| 13 | V18 | Classical hood, matt black | | POA | POA |
| 13 | V19 | Classical hood, highlight polished | | POA | POA |
| 13 | V25 | Classical hood, brass | | POA | POA |
| 14 | V20 | Tiled hood, matt black | | POA | POA |
| 14 | V21 | Tiled hood, highlight polished | | POA | POA |
| 15 | V46 | Ashpan cover knob, black only | | 4.00 | 3.48 |
| 16 [†] | 4405 [†] | Ashpan [†] | | † | † |

[†] See *Classic Fireplaces Price List*

VICTORIAN TILED FRONT CLASSIC FIREPLACE

STOVAX



| Ref. No. | Product Code | Description | Casting No. | Retail inc VAT £ | Retail Ex VAT £ |
|-----------------|-------------------|--|-------------|------------------|-----------------|
| 1 | V4 | Floral hood, matt black | | POA | POA |
| 1 | V16 | Floral hood, highlight polished | | POA | POA |
| 2 | V12 | Tile securing bar, steel | | 9.50 | 8.26 |
| 3 | V18 | Classical hood, matt black | | POA | POA |
| 3 | V19 | Classical hood, highlight polished | | POA | POA |
| 3 | V25 | Classical hood, brass | | POA | POA |
| 4 | V20 | Tiled hood, matt black | | POA | POA |
| 4 | V21 | Tiled hood, highlight polished | | POA | POA |
| 5 | V26 | Front plate, matt black | | 262.50 | 228.26 |
| 5 | V27 | Front plate, highlight polished | | 292.00 | 253.91 |
| 6 | V28 | Ashpan cover, matt black, including knob | | 44.00 | 38.26 |
| 6 | V29 | Ashpan cover, highlight polished, including knob | | 65.00 | 56.52 |
| 6 | V29SP | Ashpan cover, specially polished (from 2002), including knob | | 75.50 | 65.65 |
| 7 | V30 | Back plate, matt black | | 82.00 | 71.30 |
| 7 | V31 | Back plate, highlight polished | | 115.50 | 100.43 |
| 8 | V32 | Tile ladder, LH | | 60.00 | 52.17 |
| 8 | V32SP | Tile ladder, LH, specially polished (from 2002) | | 70.50 | 61.30 |
| 9 | V33 | Tile ladder, RH | | 60.00 | 52.17 |
| 9 | V33SP | Tile ladder, RH, specially polished (from 2002) | | 70.50 | 61.30 |
| 10 | V34 | Front bars, matt black | | 56.50 | 49.13 |
| 10 | V35 | Front bars, polished | | 77.50 | 67.39 |
| 10 | V35SP | Front bars, specially polished (from 2002) | | 94.50 | 82.17 |
| 11 | V46 | Ashpan cover knob, black only | | 4.00 | 3.48 |
| 12 [†] | 4406 [†] | Ashpan [†] | | † | † |
| 13 [†] | 4368 [†] | Milner grate [†] | | † | † |

[†] See Classic Fireplaces Price List

NOTES

NOTES

STOVAX

Customer Services Telephone: (01392) 474000 Fax: (01392) 219932