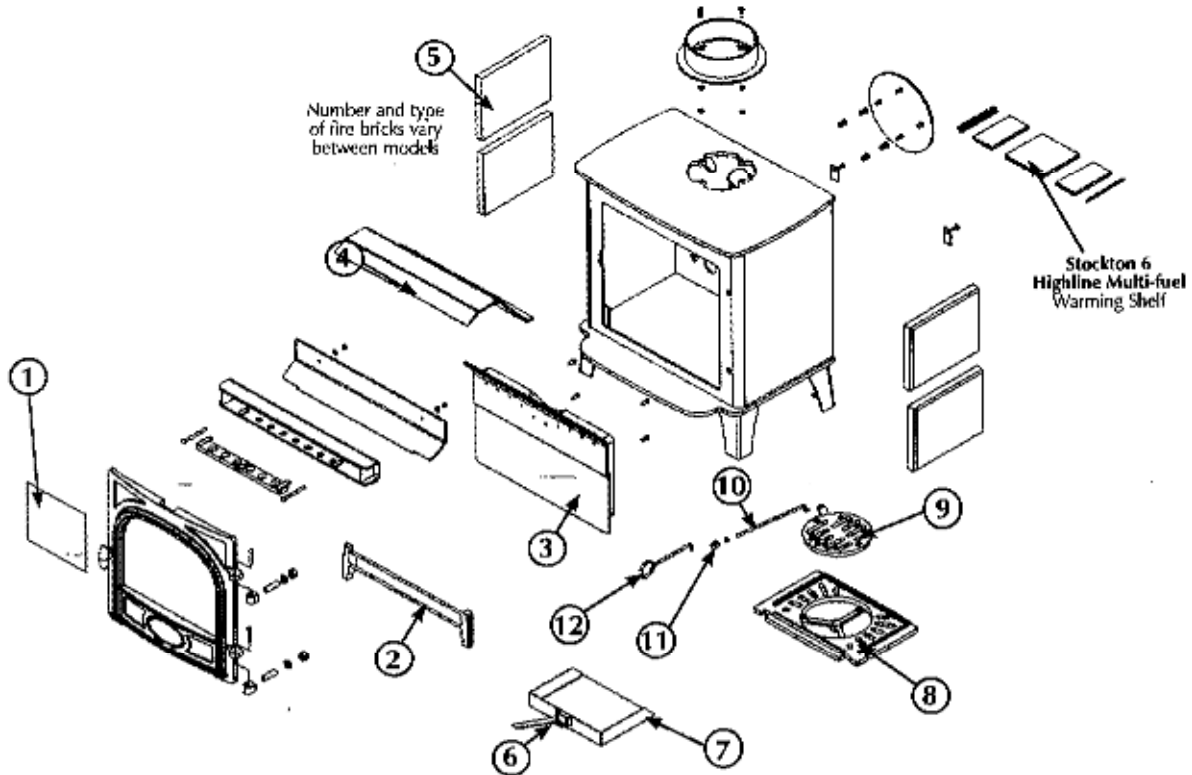


BASIC SPARE PARTS LIST



STOCKTON 3 MULTI-FUEL

Diagram No.	Description	Part No.
1	Door Glass	GL0233
2	Log Guard	SMN25
3	Clean Burn Chamber	S3.27
4	Baffle	SMN26
5	Side Fire brick	SMN31
6	Ashpan Tool	SM55
7	Ashpan	SMN28
8	Main Grate	SMN36
9	Centre Grate	SMN37
10	Riddling Rod	SMN35
11	Riddling Knob	SMN34
12	Operating Tool	SM63

STOCKTON 4

Diagram No.	Description	Part No.
1	Door Glass	GL0226
2	Log Guard	SMN25
3	Clean Burn Chamber	SMN27
4	Baffle	SMN26
5	Side Fire brick	SMN31
5	Side Fire brick	SMN24
Multi-fuel additions		
6	Ashpan Tool	SM55
7	Ashpan	SMN28
8	Main Grate	SMN36
9	Centre Grate	SMN37
10	Riddling Rod	SMN35
11	Riddling Knob	SMN34
12	Operating Tool	SM63

STOCKTON 5

Diagram No.	Description	Part No.
1	Door Glass	GL0234
2	Log Guard	S5.25
3	Clean Burn Chamber	S5.27
4	Baffle	S5.26
5	Side Fire brick	S5.24
Multi-fuel additions		
6	Ashpan Tool	SM55
7	Ashpan	S5.28
8	Main Grate	S5.33
9	Centre Grate	SMN37
10	Riddling Rod	SMN35
11	Riddling Knob	SMN34
12	Operating Tool	SM63

STOCKTON 6 HIGHLINE MF

Diagram No.	Description	Part No.
1	Door Glass	GL0100
2	Log Guard	S525HL
3	Clean Burn Chamber	S527
4	Baffle	S526
5	Side Fire brick	S524
6	Ashpan Tool	SM55
7	Ashpan	S528
8	Main Grate	S536
9	Centre Grate	SMN37
10	Riddling Rod	SMN35
11	Riddling Knob	SMN34
12	Operating Tool	SM63

STOCKTON 6 WOOD

Diagram No.	Description	Part No.
1	Door Glass	GL0100
2	Log Guard	S525
3	Clean Burn Chamber	S527
4	Baffle	S526
5	Side Fire brick	SM24
Multi-fuel additions		
6	Ashpan Tool	SM55
7	Ashpan	S7.28
8	Main Grate	S7.64
9	Centre Grate	SMN37
10	Riddling Rod	S7.35
11	Riddling Knob	S5.34
12	Operating Tool	SM63

STOCKTON 7

Diagram No.	Description	Part No.
1	Door Glass	GL0235
2	Log Guard	S7.25
3	Clean Burn Chamber	S7.27
4	Baffle	S7.26
5	Side Fire brick	S7.24
Multi-fuel additions		
6	Ashpan Tool	SM55
7	Ashpan	S7.28
8	Main Grate	S7.64
9	Centre Grate	SMN37
10	Riddling Rod	S7.35
11	Riddling Knob	S5.34
12	Operating Tool	SM63

ADDITIONAL PARTS

Diagram No.	Description	Part No.
*	Pin for door handle	FA0012
*	Glass Clamp Screw	SM29
*	Glass clip	SM16
*	Door Tool	SM23

STOCKTON 8

Diagram No.	Description	Part No.
1	Door Glass	GL0101
2	Log Guard	SM25
3	Clean Burn Chamber	SM27
4	Baffle	SM26
5	Side Fire brick	SM24
2 Door Version		
1	Door Glass	GL0227
12	Operating Tool	SM2.23
*	Glass clip	SM2.16
Multi-fuel additions		
6	Ashpan Tool	SM55
7	Ashpan	SM28
8	Main Grate	SM64CE
9	Centre Grate	SMN38
10	Riddling Rod	SMN35
11	Riddling Knob	SMN34
12	Operating Tool	SM23

STOCKTON 11

Diagram No.	Description	Part No.
1	Door Glass	GL0102
2	Log Guard	SL25
3	Clean Burn Chamber	SL27
4	Baffle	SL26
5	Side Fire brick	SL24
2 Door Version		
1	Door Glass	GL0236
12	Operating Tool	SM2.23
*	Glass clip	SL2.16