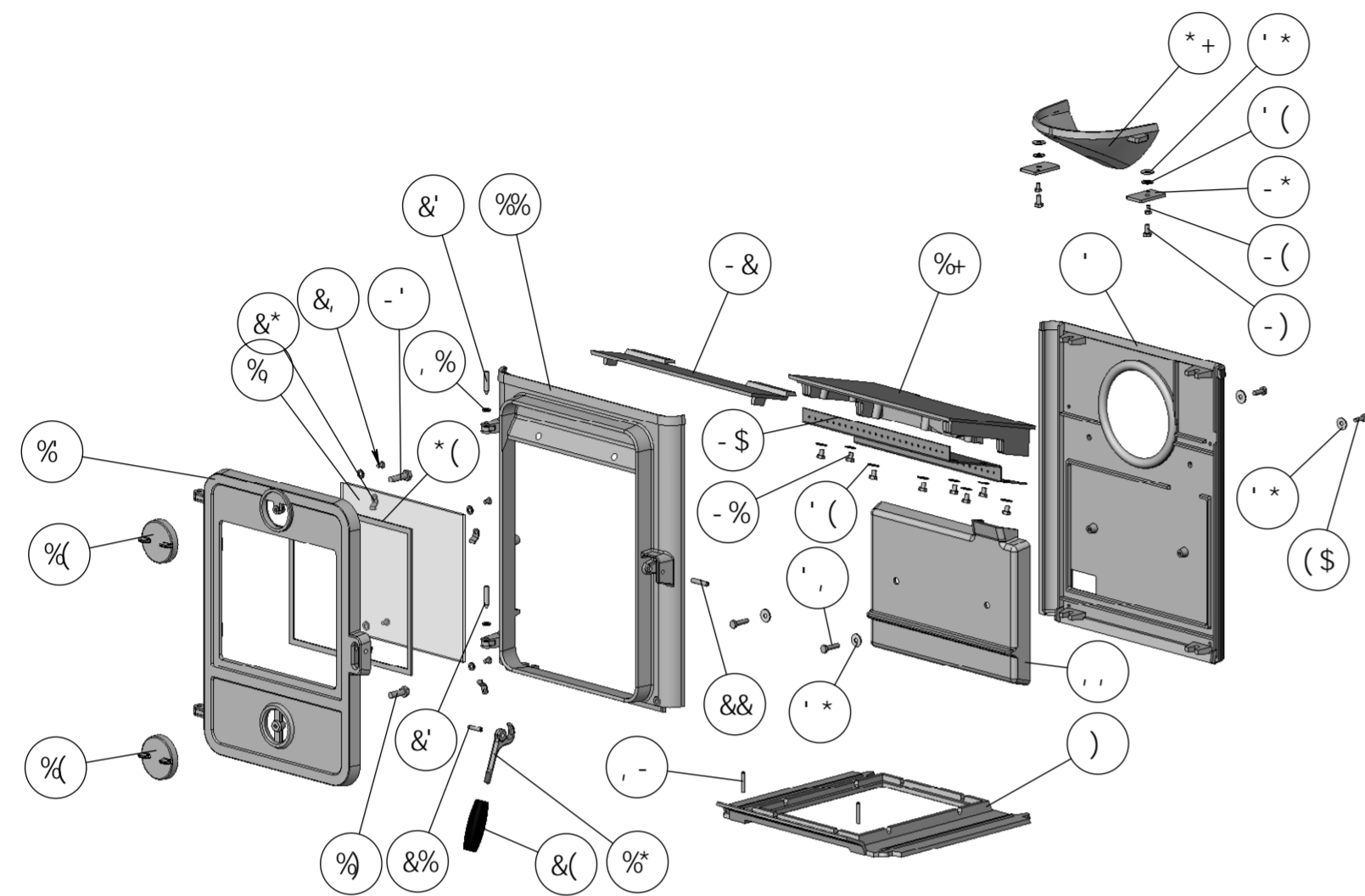
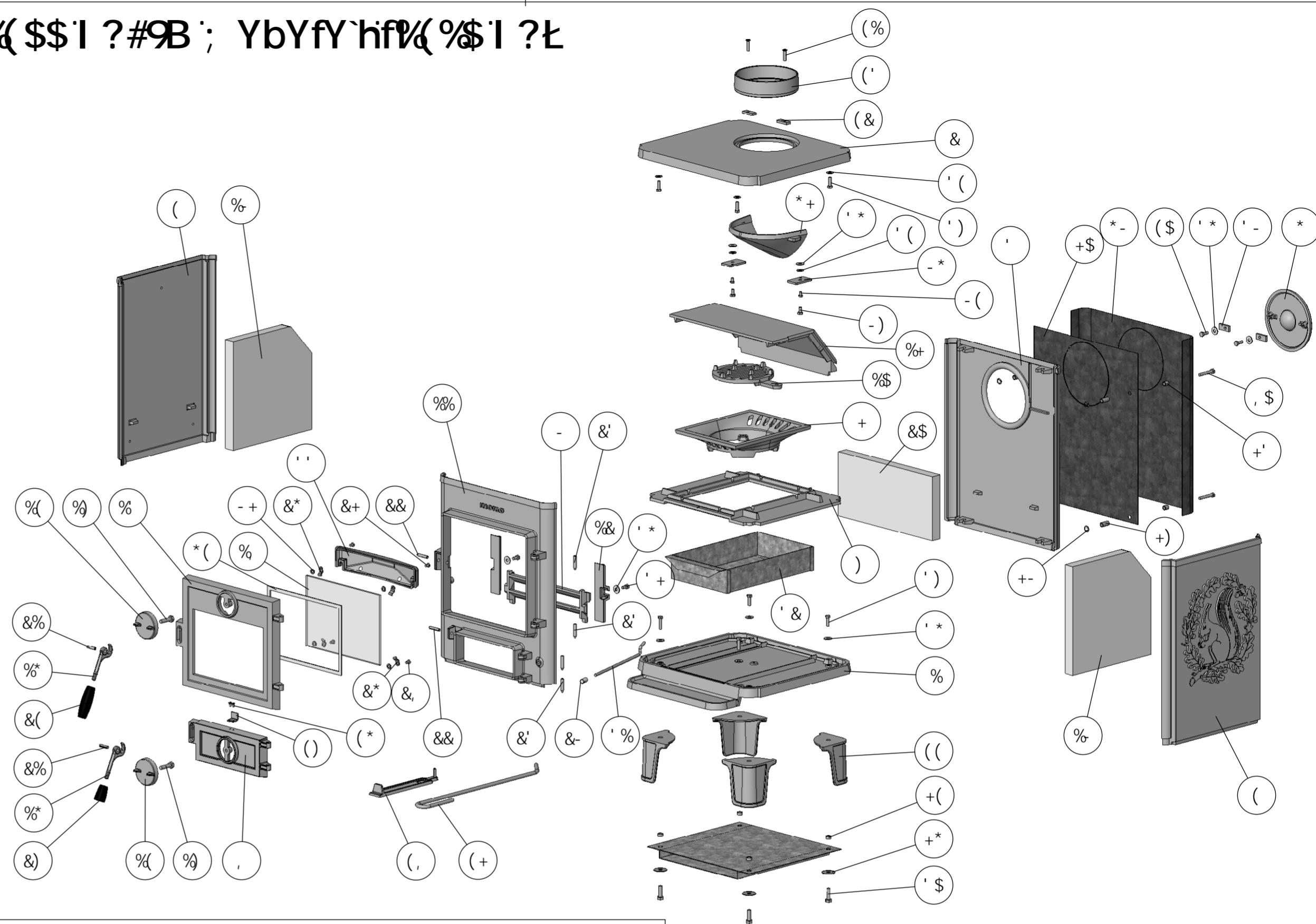


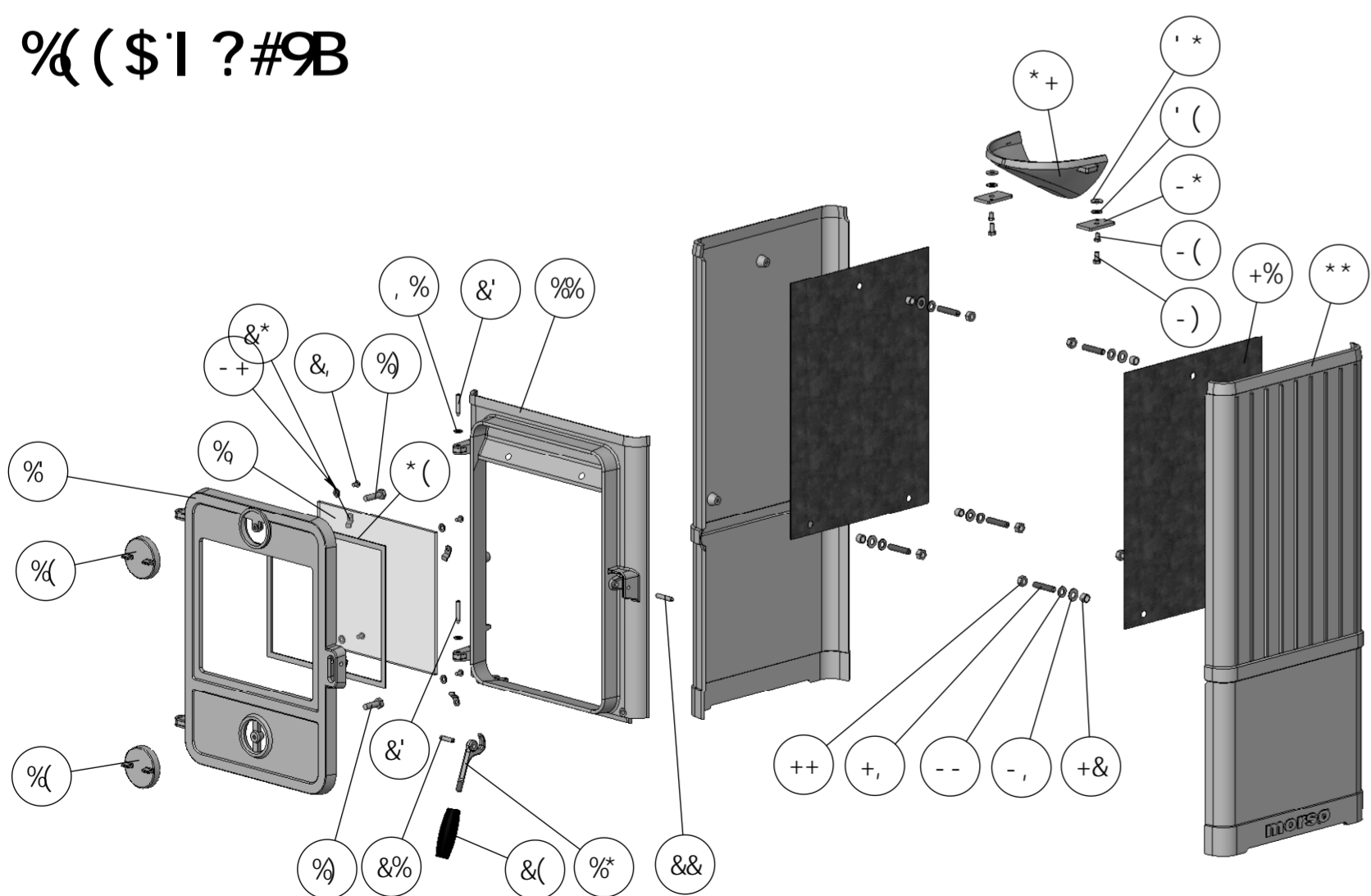
%&! ?#9B



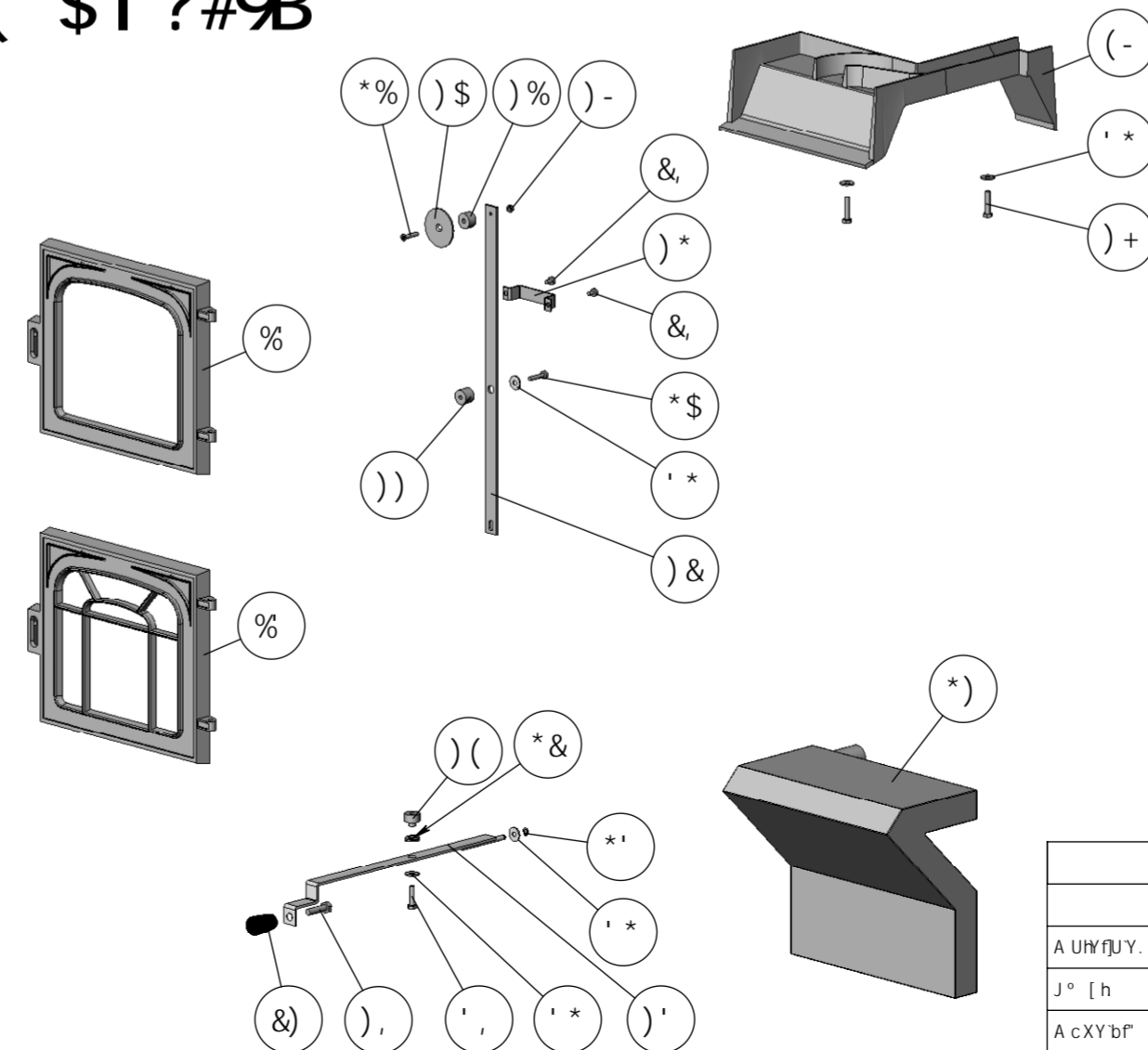
%\$\$\$! ?#9B ; YbYfY`hfV% %\$! ?!`



%(\$! ?#9B



%' \$! ?#9B



Z`5XXYX . K UghYfgdcg* ( UhhY gUjYgg6UZY DUH* FGJ` :&S96S` *8%	
Y` A cbHfP[ UZgXYF° bXYfhH`A , ..... FGJ` :\$96&S%\$	
X` HZ`YhVYgU[ Zf`>gfb [ g_e ..... FGJ` &+`S,`&S+`	
W` HZ`Yh%(%&! ?#9B c[ gyHh%(\$! ? ..... FGJ` \$*`S,`&S+`	
V` 9B Ya bYfhZ`YhHfE`Yg_° fa YL ..... FGJ` &`S*`&S*`	
FYJ` FYJ` jZ`bgY_gh ..... GJ` b` BUlt.	

	HV`	?cbgf.	?8I	\$+`\$&`S`
A UHfYU.	FYgYfj YXY`gY[ b]b[	: [ ] Yh		
J° [ h	%(\$\$`9B`# ?	HV[ b`Z`fa Uh	5&	
A cXY`bF`	A cfg` %(\$\$	A E`Z`f`c`X.	!	
HV[ b]b[ gma`Y.		J UYbF.	!	
:jd UWFb[ .		HV[ b]b[ gbF.		%(\$\$!) (%Z

8YbbY H[ b]b[ H`>fYFA cfg`>YfbgY VYfj5#Gc[ a E`L`Y`Ua° bXYg1 XEbYgY`YF`\_cd]YfYj XYb`Zfa UYfgg`fjH` Y H`UXY`gY`

1 Xg`fHfYU`c`&98`\$`1&5%`%

1412 UK/EN  
Egern

64140921

Posnr.	Description		
1	Base	441401xx	
2	Top	441407xx	
3	Back panel	441450xx	
4	Side panel	441406xx	
5	Grate frame	44144900	
6	Cover	441410xx	
7	Inner grate frame	44203100	
8	Ash door	-	
9	front grate	44141400	
10	riddling grate	44203000	
11	front frame	441422xx	
12	Front grate fitting	44141600	
13	fire door	441423xx	
14	air control	442414xx	
15	M8X30 Din933 - black	731830	
16	Clasp	79127000	
17	baffle	44146300	
18	door glass	790724	
19	side brick	79094700	
20	back brick	-	
21	ø6 x 26mm Spring pin - Din1481	791869	
22	ø6 x 32mm Spring pin - Din1481	791868	
23	541403 - ø6x33 hinge pin	541403	
24	door handle	79118300	
25	small door handle	-	
26	Glass clips	790743	
27	M5x12 Din7380 - screw	-	
28	M5x08 iso 7380 - screw	73850800	
29	knob for riddling handle	752619	
30	M8 Din933 - black	731835	
31	riddling handle	54344600	
32	Ash can	541405	
33	air conductor	-	
34	6mm washer Din522C - fzb	736106	
35	M6x20 Din933 -black	731620	
36	6mm Din9021 - fzb	791891	
37	M6X12 Din933 - black	731612	
38	M6x25 Din933 - black	731625	
39	lug without thread for cover	44256800	
40	M6X16 Din933 - black	731616	
41	M6x25 Din965A - fzb	743625	
42	lug with thread	44256700	
43	Flue collar 127 mm	441409xx	
44	leg 100 mm	441415xx	
45	angle hinge for ash door	-	
46	M4x08 Din965A - fzb	-	

47	Poker	541075	
48	ridling handle	442620xx	
49	airconductor 1430	-	
50	clasp 1430	-	
51	Distance tube for 1430	-	
52	Arm for back panel 1430	-	
53	Arm for base 1430	-	
54	Distance tube for 1430 base	-	
55	Distance tube for 1430 back panel	-	
56	stop bar	-	
57	M6x30 Din933 - black	-	
58	M8x20 Din933 - black	-	
59	5mm Stålmøtrik Din934 - black	-	
60	M5 or M6x25	-	
61	M5x25 Din965 - fzb	-	
62	Double spring	-	
63	6 mm lock ring	-	
64	adhesive fiber	79074500	
65	boiler 1430	-	
66	sidebanel 1440	-	
67	smoke shield	44142800	
68	radiation shield base 1440	541426	
69	convection back panel 1440	541425	
70	radiation shield back 1440	541446	
71	radiation shield side 1440	-	
72	distance tube ø12x1,5 L=8	-	
73	distance tube	541439	
74	distance tube	54061500	
75	distance tube ø10x1, L=20	542635	
76	washer for radiation shield	79189500	
77	steel bush Din934 black	-	
78	Pinolskrue Din916 - black	-	
79	Waher	746206	
80	M6x40 Screw Din933 - black	731640	
81	6mm brass washer Din125A	746006	
82	Dowel for soapstone	-	
83	soap stone sides	-	
84	frame for soap stone top	-	
85	loose section for soap stone top	-	
86	soap stone soap	-	
87	M6 Sætskrue DIN933 - black	-	
88	inside back panel	34145100 79186300	
89	ø5 x 30mm spring pin - Din1481	34145100 79186300	
90	stainless steel baffle	34145100 79186300	
91	M6 screw DIN933 - stainless	34145100 79186300 71141361 74160804 34146400	
92	draft reducer	34145100 79186300	
93	M8X25 Din933 - black	731825	
94	05 x 08 SCREW DIN 933 A2	74150804 74161200	

95	06 x 12 SCREW DIN 933 A2	74150804 74161200	
96	Fitting for smoke shield	71145461	
97	Washer	746106	
98	Washer		
99	Waher		