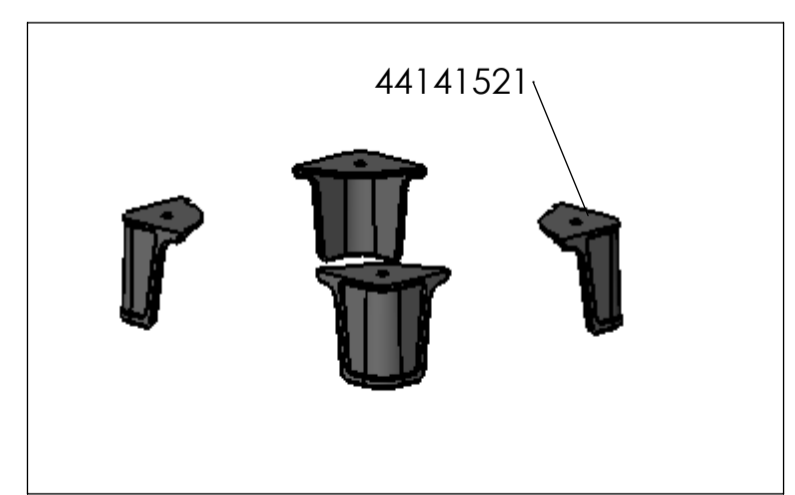
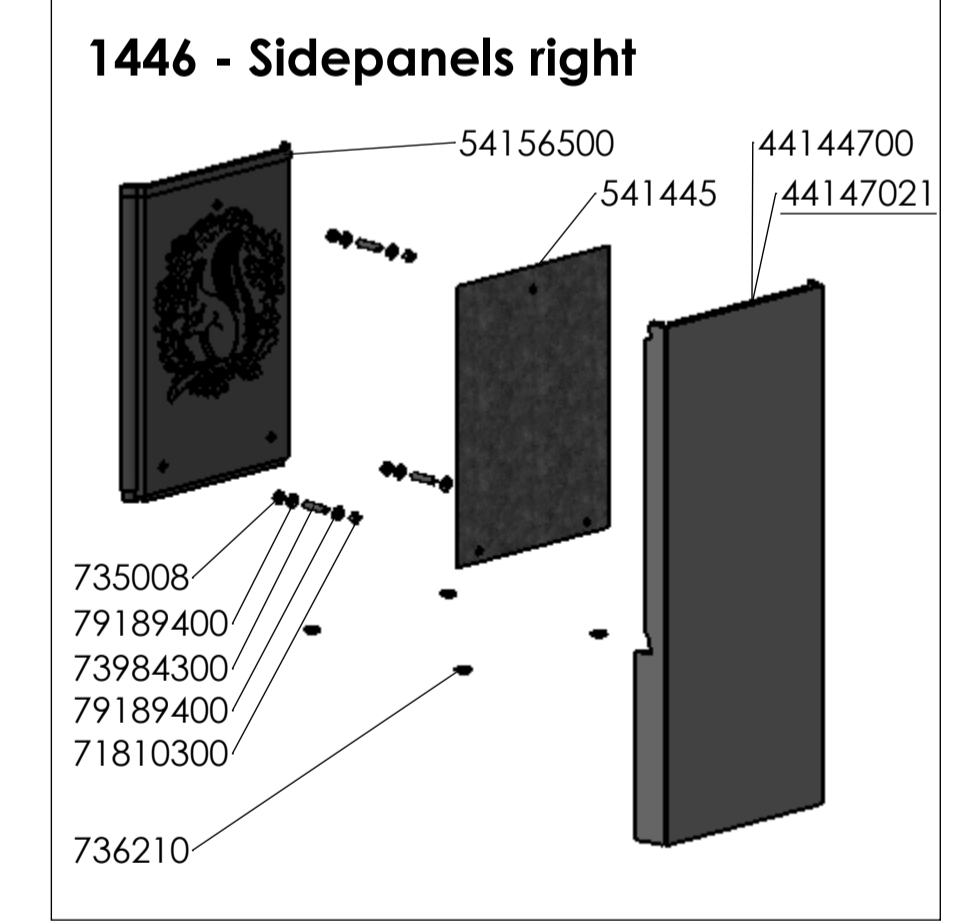
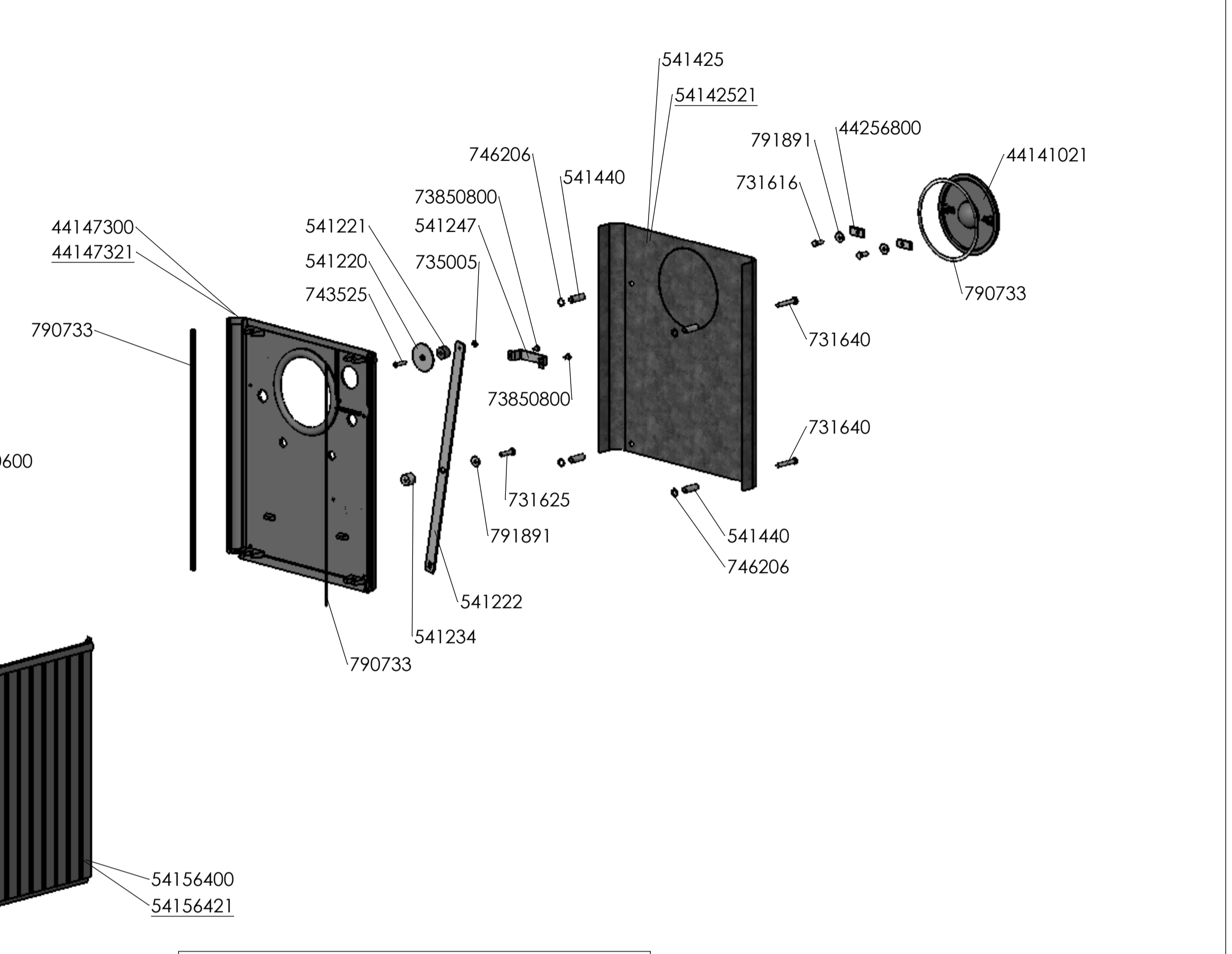
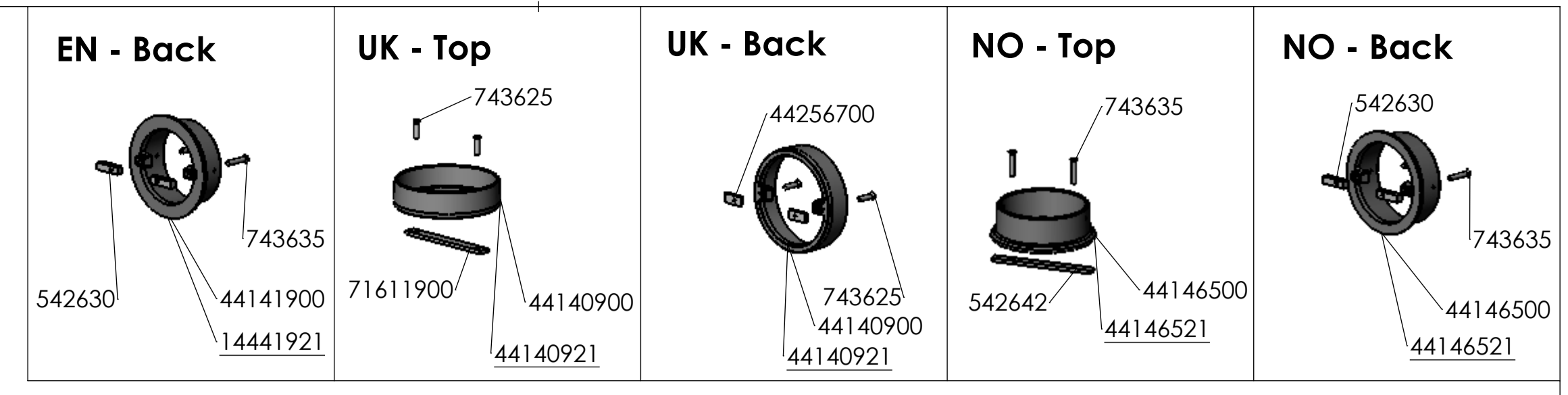
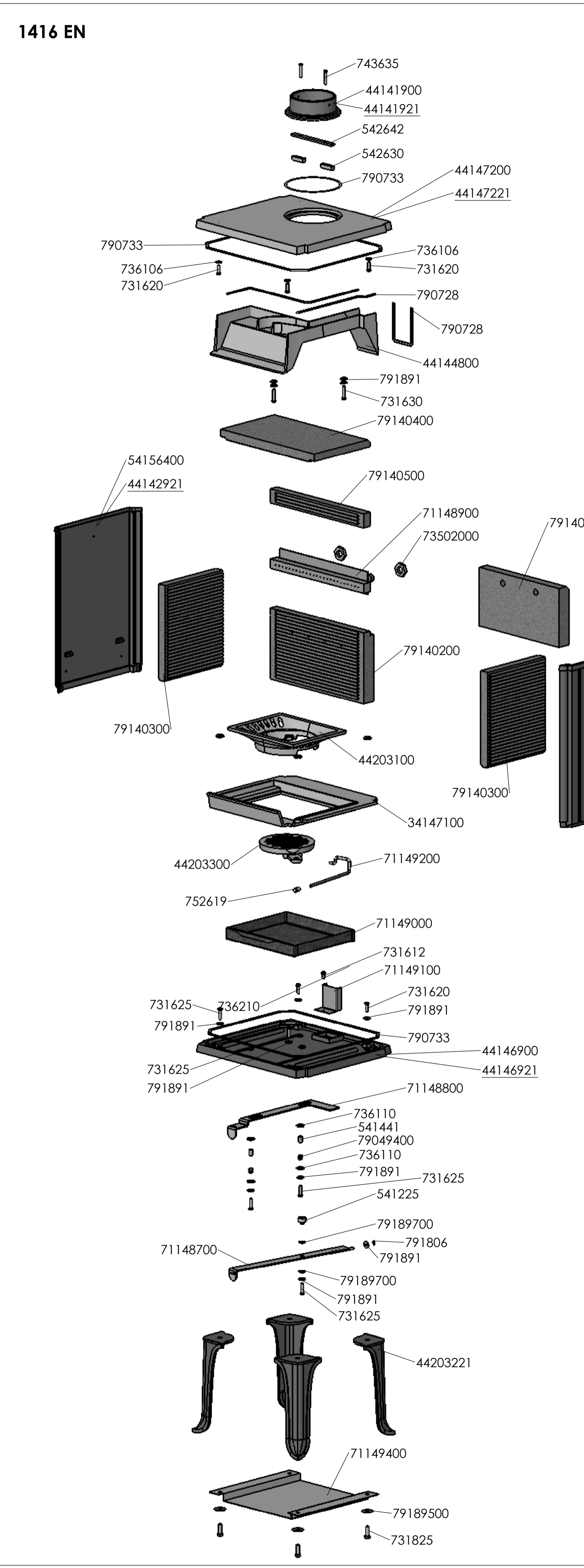


Underlined numbers are painted parts



d	Tilføjet skiver for stråleplade bund ved konv.	TOL	22.05.2012
c	Ændret varenummer på rib og konvektion side	TOL	03.05.2012
b	Tilføjet skiver over røglepl. + ændret skiver ved reg. under oven	TOL	18.04.2012
Rev.	Revisions	Sign.:	Date:
Title:		Construction:	RSV 2011.11.03
<b>Prod.tegn. - Res. tegn.</b>		Released:	
Material:		Format:	<b>A1</b>
Weight:		Scale:	<b>1:7</b>
Model no.:		Itemno.:	<b>64140021</b>
Drawingtype: Assembly		Drawing no.:	<b>1400-519 d</b>
Location of file:		<b>morso</b>	

This drawing is Morso Jernstøberi A/S property and must not be sold, loaned or copied without any written authorization from the company.