

Spare Parts

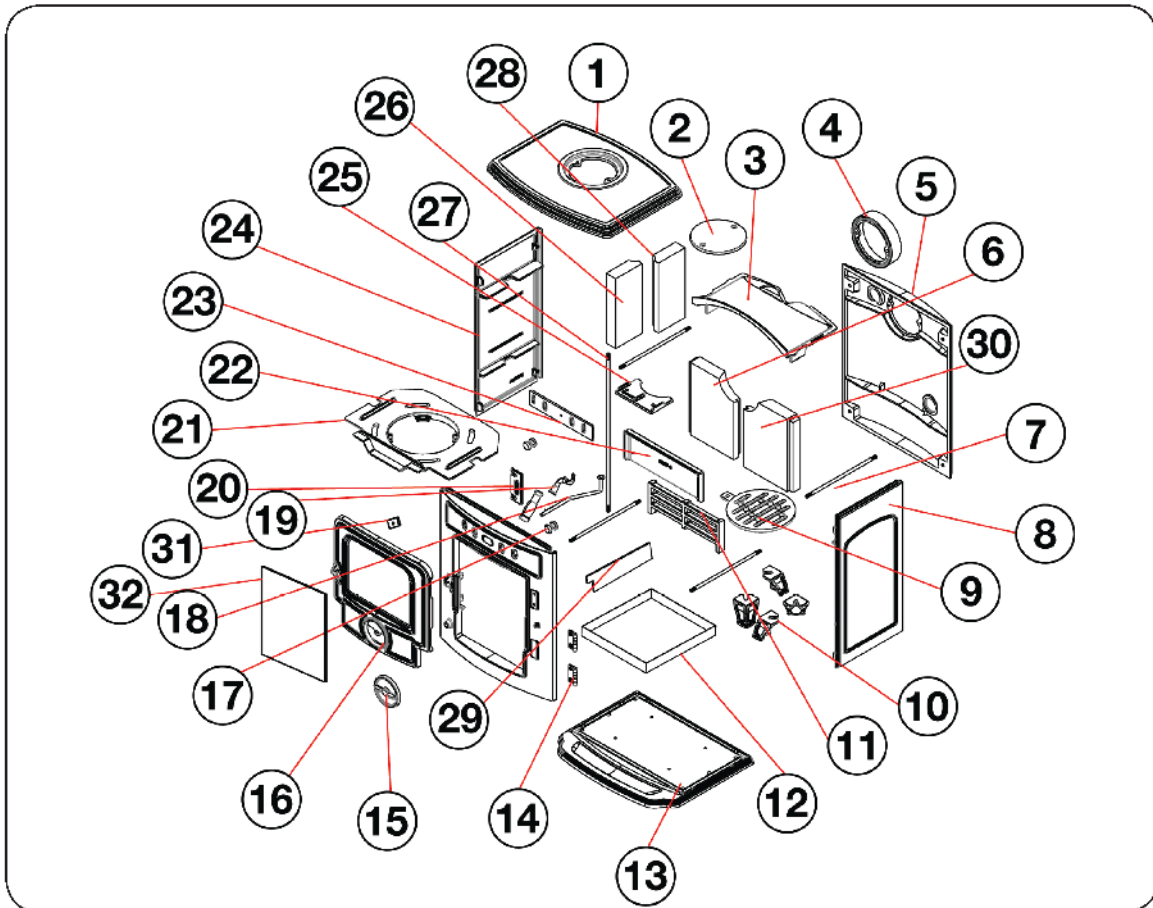
Over time you may require replacement parts for your Henley Stove.

Replacement parts are available through your local stockist.

Please use the below diagram to establish the part you require for your stove.

Please ensure you quote model name and also serial number of stove when ordering spare parts.

ONLY USE GENUINE HENLEY APPROVED REPLACEMENT PARTS FOR YOUR STOVE.



| Ref. | Description | Ref. | Description |
|------|------------------|------|---------------------|
| 1. | Top | 17. | Riddling Lever Knob |
| 2. | Flue Cover | 18. | Riddling Lever |
| 3. | Baffle | 19. | Door handle |
| 4. | Flue Collar | 20. | Retainer Baffle |
| 5. | Back | 21. | Grate Frame |
| 6. | Back Brick no. 1 | 22. | Air wash |
| 7. | Screws M8*258 | 23. | Slider |
| 8. | Right Side | 24. | Left Side |
| 9. | Rotary Grate | 25. | Air Deflector |
| 10. | Legs | 26. | Side Brick no. 2 |
| 11. | Retainer | 27. | Screws M8*525 |
| 12. | Ash Pan | 28. | Side Brick no. 2 |
| 13. | Bottom | 29. | Ash Pan Support |
| 14. | Hinge | 30. | Back Brick no. 2 |
| 15. | Air Wheel | 31. | Glass Clip |
| 16. | Door | 32. | Glass |