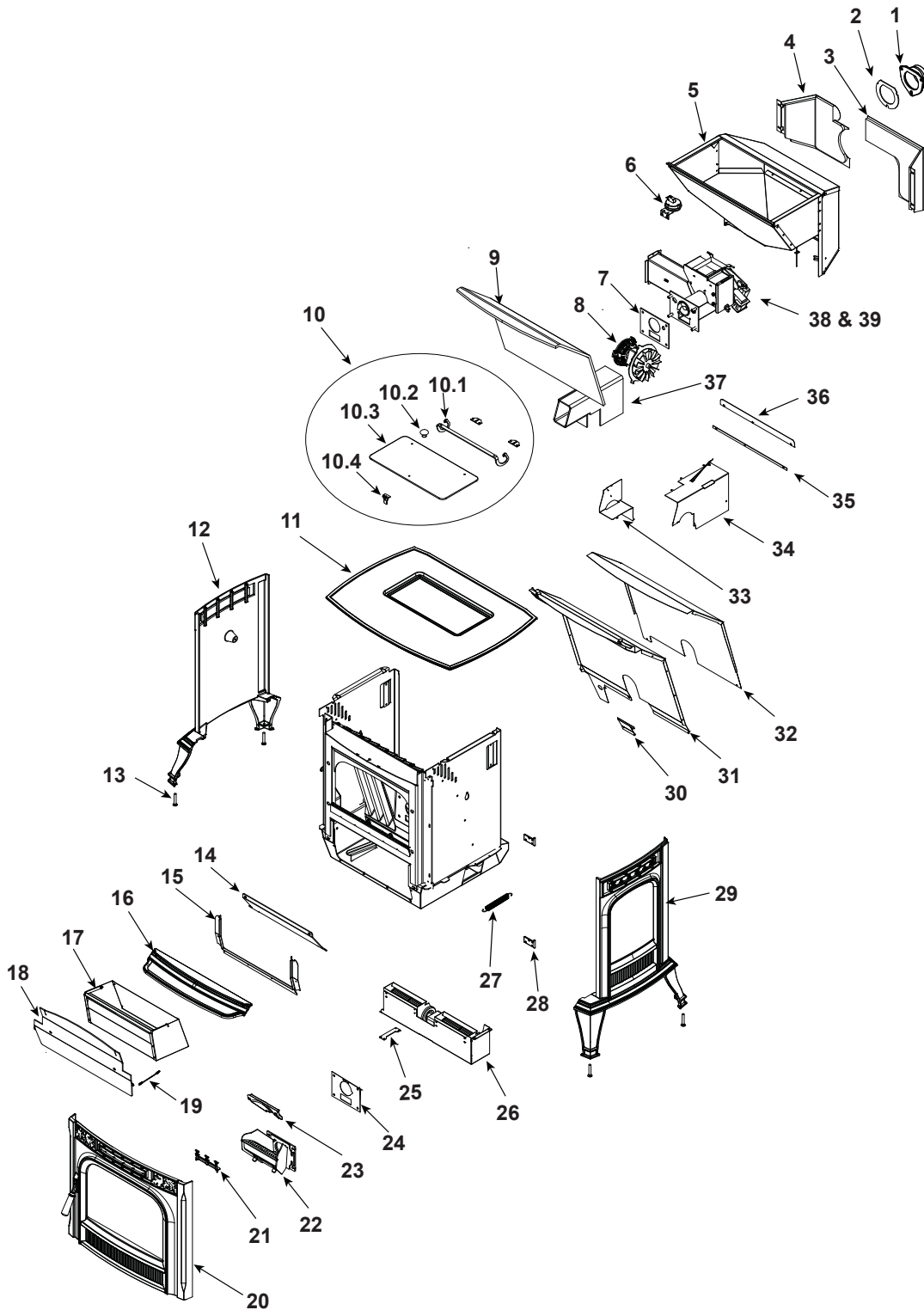


Active Units

- | | |
|-------------------------|--------------------------------|
| 1-90-00884-2 (Charcoal) | 1-90-00884-12 (Forest Green) |
| 1-90-00884-21 (Frost) | 1-90-00884-14 (Majolica Brown) |

Retired Units

- | | |
|---|---------------------------------------|
| 1-90-00884-3 (Goldenfire) (June 2011) | 1-90-00884-10 (Mojave Red) (Jan 2010) |
| 1-90-00884-4 (Metallic Blue) (Jan 2010) | 1-90-00884-15 (Sand) (Oct 2014) |
| 1-90-00884-5 (Honey Glo) (June 2009) | 1-90-00884-1 (Black) (April 2017) |
| | 1-90-00884-11 (Grey) (April 2017) |



Part number list on following page.

IMPORTANT: THIS IS DATED INFORMATION. Parts must be ordered from a dealer or distributor. **Hearth and Home Technologies does not sell directly to consumers.** Provide model number and serial number when requesting service parts from your dealer or distributor.

ITEM	DESCRIPTION	COMMENTS	PART NUMBER
1	Pellet Tailpipe Cast		3-00-247237
2	Gasket Tailpipe/Burn Pot	Pkg of 5	1-00-07381
3	Right Feeder Shield		1-10-677085F
4	Left Feeder Shield		1-10-677084F
5	Hopper Assembly	Pre 12871	1-10-677800A
		Post 12871	1-10-677190A
	Gasket, HopperTop	20 Ft	1-00-375501
	Grommet, 3/4"		3-31-960021
6	Differential Switch		3-20-6866
7	Gasket Tailpipe/Burn Pot	Pkg of 5	1-00-07381
8	Combustion Blower		3-21-08414
	Mounting Plate		1-10-677006
	Blower Mounting Screws (Pkg of 100)	Commonly required for Combustion Blower replacement	1-00-53483208
	Fan Blade, Double Paddle 5" (Comb Blower)		3-20- 502221
9	Hopper Insulation (Pre 008219391)	No longer available	3-44-677037
10	Hopper Lid		3-40-247100
10.1	Hinge		2-00-06694
10.2	Hopper Knob	Gold	1-00-02000
		Brushed Nickel	1-00-02000-8
10.3	Hinge Plate	Qty. 2 Req.	2-00-06695L
10.4	Hopper Lid Latch (Male and Female)	2 Sets	1-00-0669697
	Ball Plunger	Pkg of 3	3-31-5500-3
	Gasket, Hopper Lid	20 Ft	1-00-375501
	Pust Retainers	Pkg of 100	3-31-94807-100
	Screw Post Kit		1-00-129004
11	Plain Top	Frost	1-10-677057-F21
		Grey Enamel	1-10-677057-F11
		Plain	4-00-677057P
		No longer available	1-10-677057-F15
	Plain Top, Brown Enamel	Pre 008206292	1-10-677057-F4V
		Post 008206292	1-10-677057-F14
12	Left Side	Frost	1-10-677055-F21
		Grey Enamel	1-10-677055-F11
		Plain	4-00-677055P
		No longer available	1-10-677055-F15
	Left Side, Brown Enamel	Pre 008206292	1-10-677055-F4V
		Post 008206292	1-10-677055-F14
13	Leg Levelers	Pkg of 4	1-00-12302
14	Ash Door Stop		2-00-677096B

Additional service part numbers appear on following page.

IMPORTANT: THIS IS DATED INFORMATION. Parts must be ordered from a dealer or distributor. **Hearth and Home Technologies does not sell directly to consumers.** Provide model number and serial number when requesting service parts from your dealer or distributor.

ITEM	DESCRIPTION	COMMENTS	PART NUMBER
15	Ash Door Gasket Retainer		2-00-677025B
	Gasket, Ash Door	30 Ft	1-00-71611
16	Ashlip	Frost	1-10-677058-F21
		Grey Enamel	1-10-677058-F11
		Plain	4-00-677058P
		No longer available	1-10-677058-F15
	Ashlip, Brown Enamel	Pre 008206292	1-10-677058-F4V
		Post 008206292	1-10-677058-F14
17	Ash Pan		1-10-677044
18	Ash Door Weldment		1-10-677026A
19	Cable Lanyard		3-31-677070
20	Load Door Assembly	Frost	1-10-677099-F21
		Grey Enamel	1-10-677099-F11
		Plain	1-10-677099A
		No longer available	1-10-677099-F15
	Load Door Assembly, Brown Enamel	Pre 008206292	1-10-677099-F4V
		Post 008206292	1-10-677099-F14
	Air Grill		3-00-677004P
	Latch Roller Hardware		1-00-05230
	Door Only w/Rope	Frost	4-00-674053-F21
		Grey Enamel	4-00-674053-F11
		Plain	4-00-674053A
		No longer available	4-00-674053-F15
	Door Only w/Rope, Brown Enamel	Pre 008206292	4-00-674053-F4V
		Post 008206292	4-00-674053-F14
	Door Rope	30 Ft	1-00-00888
	Handle Assembly (2 Sets)		1-00-00247
	Contains: Handle, 6 mm Washer, SHCS, handle, Dowel, Plunger, SSS, Bhcs		
	Glass clips & Hardware	Pkg of 4	1-00-249140
	Latch Trim Plate, Enamel Only		2-00-674206P
21	Letters		2-00-677022S
22	Burn Pot		1-10-06790
	Cleanout cover	Pkg of 2	1-00-06623
	Thumb Screw	Pkg of 10	3-31-782108-10
23	Flame Guide		3-00-03000
24	Gasket, Burn Pot		3-44-237639
25	Distribution Blower Mount Plate		2-00-677006L
26	Distribution Blower		3-21-29070
27	Extension Spring		3-31-2181
28	Hinge Plate	Qty 2 req	3-00-674047

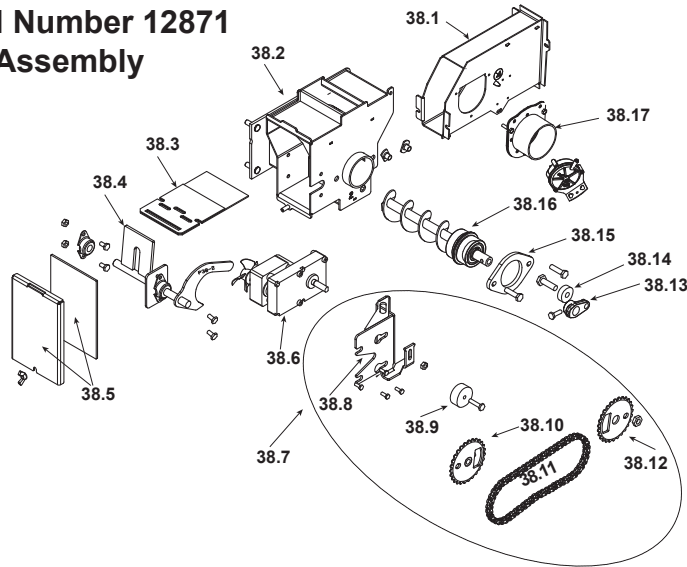
Additional service parts on following page.

IMPORTANT: THIS IS DATED INFORMATION. Parts must be ordered from a dealer or distributor. **Hearth and Home Technologies does not sell directly to consumers.** Provide model number and serial number when requesting service parts from your dealer or distributor.

ITEM	DESCRIPTION	COMMENTS	PART NUMBER
29	Right Side	Plain	4-00-677056P
		Frost	1-10-677056-F21
		Grey Enamel	1-10-677056-F11
		No longer available	1-10-677056-F15
	Right Side, Brown Enamel	Pre 008206292	1-10-677056-F4V
		Post 008206292	1-10-677056-F14
30	Air Jacket Filler Plate		2-00-677039B
31	Air Jacket	Post 008219391	2-00-677035B
32	Hopper Heat Shield	Post 008219391	2-00-677038B
33	Distribution Blower Heat Shield		2-00-677041B
34	Combustion Box Heat Shield		2-00-677040B
35	Rear Shield Spacer		2-00-677087L
36	Rear Shield Retainer		2-00-677086L
37	Combustion Assembly Insulation		3-44-677042
	Burn Pot Scraper	Pkg of 10	2-00-773850-10
	Circuit Board W/Knobs & Shafts		1-00-05892
	5 Amp fuses	Pkg of 5	3-20-23705-5
	Knobs & Shafts	Pkg of 25	1-00-015605
	Control Board Plate w/label		2-00-677054F
	Control Panel Sticker		3-90-247266F
	Diagnostic Display Module		3-20-05401
	DDM Replacement Cable		1-00-05402
	Disconnect, Female, 1/4"	Pkg of 25	1-00-00959
	Draft Meter Assembly		1-00-00637
	Draft Meter Bolt & Tube		1-00-04004
	ESP Probe	Pre 008200828	3-20-11744
		Post 008200828	3-20-00844
	Glass Door w/Gasket		1-00-677000
	Glass Rope		1-00-1186258229
	Igniter		3-20-04876
	Igniter Cradle, Holder, & Flat Bottom		1-00-06620
	Labels, Caution & Danger	10 Ea	1-00-200408541
	Latch Retainer, Load Door		2-00-674098S
	Power Cord - 8'		3-20-94740
	Room Sensor		3-20-00906
	Silicone Tubing, 1/8"	5 Ft	1-00-5113574
	Thermostat Extension		3-20-00607

Additional service parts on following page.

#38 Pre Serial Number 12871 Feeder Assembly

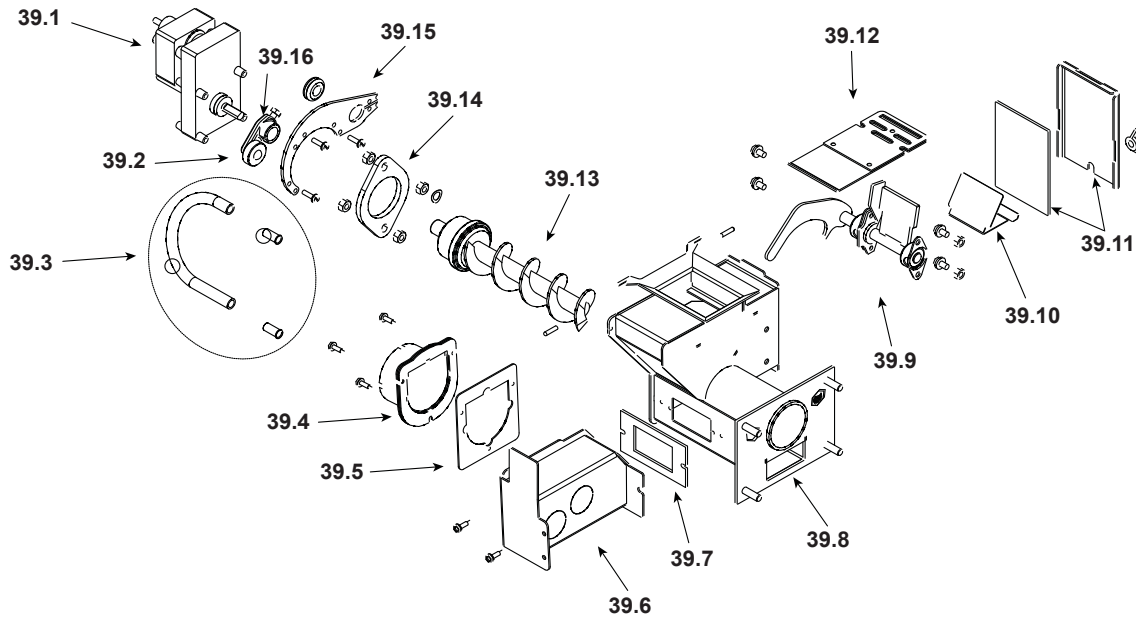


IMPORTANT: THIS IS DATED INFORMATION. Parts must be ordered from a dealer or distributor. **Hearth and Home Technologies does not sell directly to consumers.** Provide model number and serial number when requesting service parts from your dealer or distributor.

ITEM	Description	COMMENTS	PART NUMBER
38	Feeder Assembly	Pre 12871	1-10-677153F
38.1	Air Intake Weldment		1-10-677016W
38.2	Feeder Weldment		1-10-677150
38.3	Slide Plate Assembly		1-10-08037
38.4	Pusher Arm Assembly		1-10-06691
38.5	Feed Cover and Gasket	2 Sets	1-00-677152
38.6	Gear Motor, 4 RPM		3-20-08406
38.7	Sprocket Kit		1-00-06626
38.8	Bracket, Gear Motor		1-10-677005
	Grommets & Spacers	Pkg of 25	1-00-960026
38.9	3/4 Feeder Tensioner		3-31-00075
38.10	3 1/2" Sprocket w/Hub		1-10-08550W
38.11	Chain - 60 Pin		3-50-06667
38.12	3 1/2" Sprocket		2-00-06626M
38.13	Cast Cam Block		3-00-00153
38.14	Cam Bearing		3-31-3014
38.15	Bearing Flange w/Hardware		1-00-04035
38.16	Auger Assembly		3-50-00465
38.17	Air Intake Damper Assembly		1-10-06466W
	Feeder Air Crossover Kit		1-00-67900
	Feeder Repair kit		1-00-677150
	Gasket Feeder Air Intake	Pkg of 6	3-44-72224-6
	Pillow Block	Pkg of 4	3-31-3614087-4

Additional service parts on following page.

#39 Post Serial Number 12871 Feeder Assembly



IMPORTANT: THIS IS DATED INFORMATION. Parts must be ordered from a dealer or distributor. **Hearth and Home Technologies does not sell directly to consumers.** Provide model number and serial number when requesting service parts from your dealer or distributor.

ITEM	Description	COMMENTS	PART NUMBER
39	Feeder Assembly	Post 12871	1-10-677189FA
39.1	Pellet Feeder Gear Motor, 4 RPM		3-20-00777
39.2	UL Feeder Cam Bearing		3-31-3014
39.3	Feeder Air Crossover Kit		1-00-67900
	9MM Silicone Tube	5 Ft	1-00-511427
39.4	Pellet Air Intake Assembly		1-10-07000A
39.5	Gasket Feeder Air Intake	Pkg of 6	3-44-72224-6
39.6	UL Feeder Air Intake		1-10-677183
39.7	Gasket Ultra Air Intake	Pkg of 10	3-44-677160-10
39.8	Ultra Feeder Weldment		1-10-724132
39.9	UL Feeder Pusher Arm		1-10-677131W
39.10	Fines Deflector	No longer available	2-00-677138-10
39.11	Gasket, UL Feeder Cover		1-00-677122
39.12	Slide Plate Assembly		1-10-677121A
39.13	UL Feeder Auger Assembly		3-50-00565
39.14	Bearing Flange w/Hardware		1-00-04035
39.15	UL Feeder Gear Motor Bracket w/Grommet		1-00-247406
39.16	UL Feeder Cam Block		3-00-677154
	Gasket Hopper Throat		3-44-677185
	Pillow Block	Pkg of 4	3-31-3614087-4

Additional service part numbers appear on following page.

