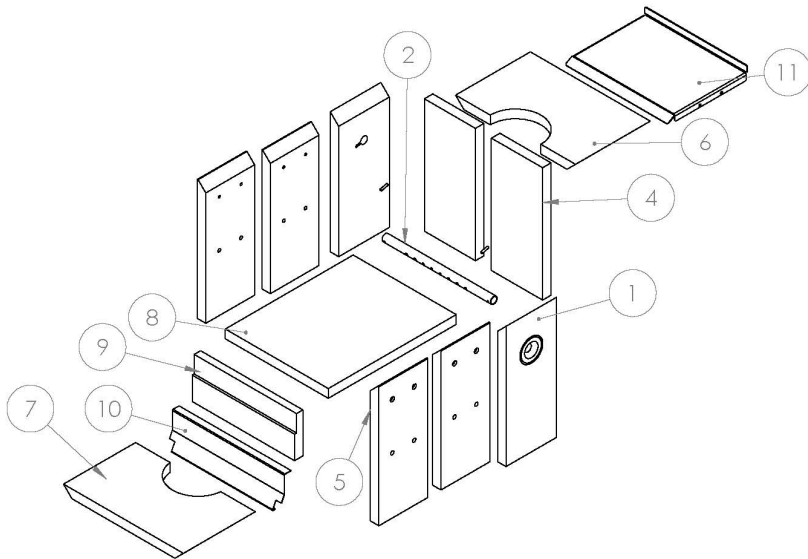


REPLACEMENT PARTS

FIGURE 24: FIREBOX CONSUMABLE PARTS.



ITEM NUMBER	PART NUMBER	DESCRIPTION	QUANTITY
1	WC-1000-002	REAR SIDE BRICK	2
2	1000-007	AIR TUBE	1
4	990-009	VERMICULITE REAR BRICK	2
5	I-WH-200-101	R/H & L/H SIDE BRICK	4
6	990-004	FIRE BOX TOP FRONT BRICK	1
7	990-004A	FIRE BOX TOP BACK BRICK	1
8	990-009B	VERMICULITE BASE BRICK	1
9	WC-1000-001	FRONT BRICK	1
10	WC-1000-1026.SLDASM	AIR WASH	1
11	WC-1000-004	BAFFLE	1

FIGURE 25: NON-FIREBOX PARTS

WIRE BRUSH	2023-072
FLEXIBLE FLUE RAKE	2040-807 S
HOTPLATE SCREW	CENT-118 S
HOTPLATE LIFTING TOOL	2040-400 BO
FLUE BRUSH	WN/WD 3"DIA FLUE BRUSH
HOTPLATE ROPE	ROPE/CUT-13MMX1800 WHT
BOLSTER ROPE	ROPE/CUT -7.5MMX030MM GRY MESH
STAINLESS STEEL COMBUSTOR	WCKCU-012-2022
FIREBOX DOOR ROPE	ROPE/CUT-8MMX330MM GRY
OVEN DOOR ROPE	ROPE/CUT-15MMX1360 GRY
CATALYSERS	990-065 990-065A