

**DIFFICULTY IN BURNING FOR EXTENDED PERIODS?** If all the fuel has burned away, this is probably because too much air has been reaching it. There are several possible causes:

1. The doors may not have been closed properly.
2. The chimney draught was too high (this can be a problem with any fire) and usually happens when it is very windy.
3. The air slides were not adjusted correctly.
4. Not enough fuel was put on the fire.
5. The sealing rope on the doors or glass may require attention.

If much unburned fuel is left, then a little more air is required, so the air control should be adjusted accordingly. If the problem persists check the sealing of the flue pipe to the appliance and chimney.

**FUME EMISSION INTO ROOM** A slight fume emission into the room may occur while refuelling, but should not occur during normal running. If fumes occur in normal running **LET THE FIRE OUT AND CHECK THE FOLLOWING:**

1. Is the fluepipe well sealed into the appliance and chimney.
2. Check the flue way and throat plate at the top of the Stove is clear.
3. Check the chimney is clear (If the problem occurs after the fire has not been used for a period the chimney may be blocked by a birds nest or fall of ash and soot).
4. Can enough air enter the room - has the air brick been sealed? Double glazing installed or a fitted carpet closed gaps around the doors and skirting board?
5. Is there a downdraught on the chimney? This could be caused by a nearby tree, hill or high building and if this is suspected we recommend taking advice from a chimney expert.

## MAINTENANCE AND SERVICING INSTRUCTIONS

The main flueways and throat plate must be kept clear. The frequency of cleaning will depend on use and the fuels burnt, as a guide we suggest:-

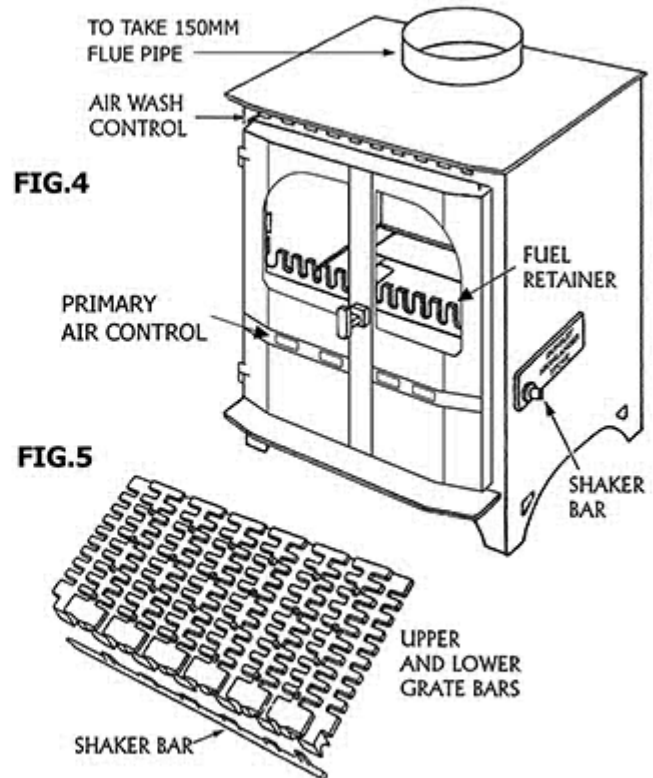
**EVERY MONTH** - When the fire is out and the stove is cool check on top of the Throat Plate for excessive deposit. The Throat Plate has two holes placed in the front to take the operating tool, this enables you with the use of a torch, to shine through the holes to see above the Throat Plate for any excess soot deposit. To clean the Throat Plate wearing gloves remove the fuel retaining bar, all grate bars and ash pan - lift up left side of Throat Plate as far as possible into the top left side of stove. Drop down the right side of the Throat Plate into the ash pan area and remove by pulling forward the left side of the Throat Plate.

Replace in reverse order, ensure the Throat Plate sits on top of the side bricks with the down bend touching the rear bricks. See Fig. 6.

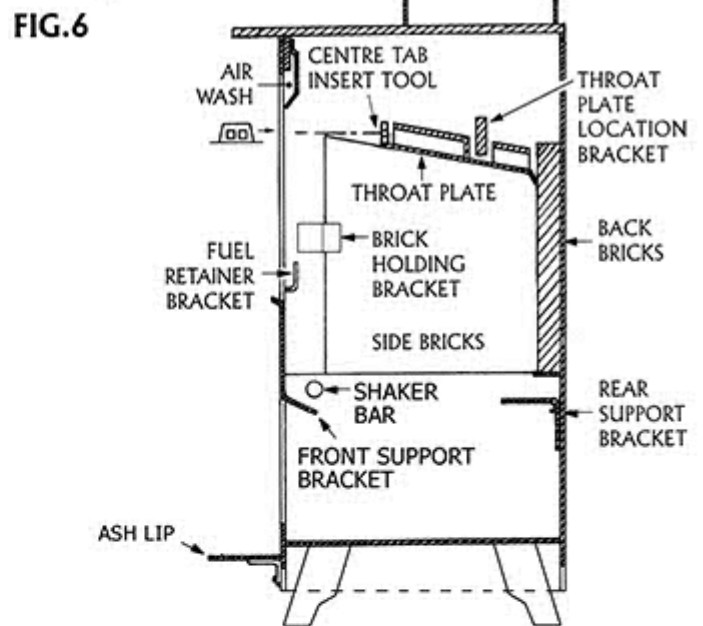
When it is required to sweep the main flue follow above procedure.

**EVERY YEAR:** Have the main flue swept, using a wire centred sweeps brush fitted with a guide wheel. We strongly recommend that you engage a qualified chimney sweep (see the information on the front cover). Any purpose provided ventilation should be checked periodically at least once per year to ensure that it is free from obstruction by a competent engineer.

### STOVE WITH GRATE BARS REMOVED



### STOVE SIDE VIEW, WITH FIREBRICKS, THROAT PLATE, IN POSITION



**1. FITTING THE GRATE BARS**

The shaker bar is already fitted, it should not normally be removed. (if it is to be removed see Para 3. also FIG. 5. AND 6.)

- A. Turn the shaker bar so that the projections are facing upwards, see FIG. 5.
- B. Place the 7 lower grate bars in position first, insert the bars with the half round boss facing downwards, see Fig. 7 page 6 to rest on the shaker bar between the projections, with the rear end of the bar resting on the rear support bracket below the firebricks. See FIG. 6.
- C. Place the 6 upper grate bars on top and between the 7 lower grate bars, with the recess in the bottom fitting on the projections of the shaker bar, see FIG. 8.

**2. FITTING FUEL RETAINER BAR**

- A. See FIG. 4, 6+9. Note the fuel retainer brackets, one each side of the door opening.
- B. See FIG. 4. and 9. fuel retainer bar, take hold with the castle projections uppermost and the sloping skirt facing inwards to the firebox to protect the riddling movement. Slide the retainer bar into the holding brackets.

NOTE- The fuel retainer bar must be taken out first to remove the grate bars.

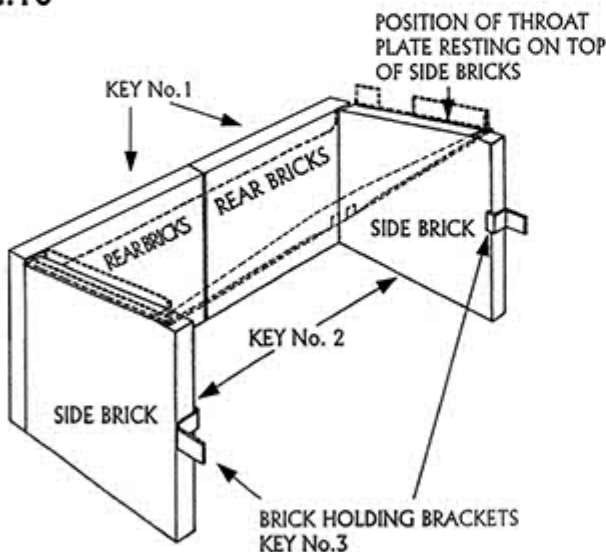
**3. TO REMOVE THE SHAKER BAR**

Remove fuel retainer bar, remove all grate bars, remove the name plate at the right side facing by removing the two screws, turn the bar so that the projections face backwards, slide the bar into the key hole slot at the right, push the bar inwards and upwards at the left side, pull out of the key hole slot and remove. Replace in reverse order.

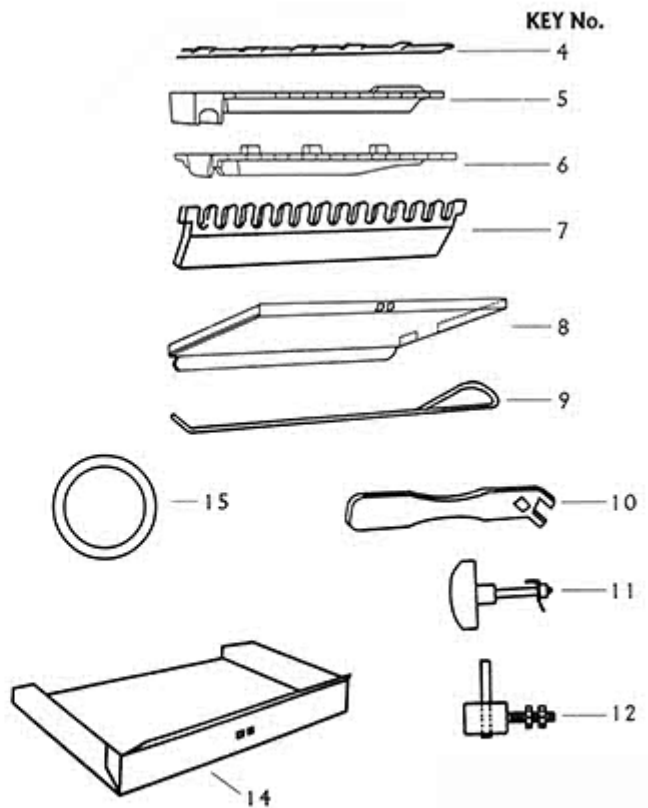
**FIREBRICKS - See Fig. 10 below.**

The Highlander 10 Stove is supplied with all firebricks fitted. The firebricks should not be removed except to replace broken ones:- To remove firebricks, remove throat plate, lift up at left side facing pushing up to top and lowering the other end to remove. To remove side bricks remove the brick holding brackets one at left and right at the front. The brackets are not fixed by screws, lift up to remove, lightly tap if necessary, the side bricks and rear brick can then be removed. To replace fit rear bricks then side bricks then brackets then throat plate.

FIG. 10



| KEY No. | LIST OF SPARE PARTS<br>items marked * not on drawing | No. OFF | DUNSLEY PART No. |
|---------|--|---------|------------------|
| 1       | Back bricks  | 2       | 02383            |
| 2       | Side bricks, interchangeable                         | 2       | 02101            |
| 3       | Firebrick holding brackets, interchangeable          | 2       | 02007            |
| 4       | Shaker Bar cast iron                                 | 1       | 02384            |
| 5       | Lower grate bar cast iron                            | 1       | 02104            |
| 5       | Lower grate bar chrome iron                          | 1       | 02105            |
| 6       | Upper grate bar cast iron                            | 1       | 02106            |
| 6       | Upper grate bar chrome iron                          | 1       | 02107            |
| 7       | Fuel retainer bar                                    | 1       | 02352            |
| 8       | Throat plate   | 1       | 02385            |
| 9       | Hooked poker   | 1       | 02016            |
| 10      | Operating tool                                       | 1       | 02017            |
| 11      | Door knob assembly, state-silver, black or brass     | 1       | 02365            |
| 12      | Hinge assembly, door                                 | 1       | 02019            |
| 14      | Ash shovel   | 1       | 02354            |
| *       | Ceramic glass for door                               | 1       | 02355            |
| *       | Glass retainer tabs with screws                      | 1       | 02032            |
| *       | Fibre seal for glass                                 | 1       | 02356            |
| *       | Sealing rope for door                                | 1       | 02357            |
| *       | Sealing rope glue                                    | 1       | 02038            |
| Page.9  | Blanking Plate                                       | 1       | 02122            |
| Page.9  | Flue Outlet Spigot                                   | 1       | 02123            |
| 15      | Flue Sealing Gaskets                                 | 2       | 02358            |
| *       | Canopy Top Flue Outlet                               | 1       | 02381            |
| *       | Canopy Rear Flue Outlet                              | 1       | 02382            |
| *       | Door left facing                                     | 1       | 02363            |
| *       | Door right facing                                    | 1       | 02364            |



N.B. DRAWINGS NOT TO SCALE

**TO REPLACE DOOR GLASS OR FIBRE SEAL**

The glass is held in position by four retainer tabs, remove the tabs, ease the glass out at the bottom then remove. Check fibre seal and replace with new as required, check small gaskets on retainer tabs and replace as required.

Replace in reverse order.

If it is required to remove the doors it is not necessary to disturb the door hinge adjustment.

Open the door to 90°.

Lift the door evenly upwards to remove. A few drops of WD40 light oil would be an advantage.

Replace in reverse order.

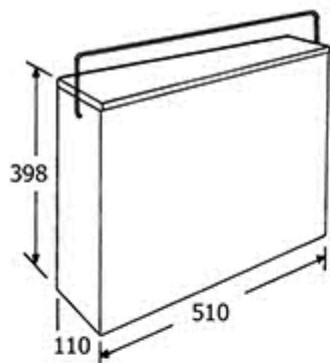
**TO RENEW THE SEALING ROPE ON THE DOOR**

Remove old sealing rope, clean metal groove with steel wool or similar, put adhesive Part No. 02038 in bottom of groove and push new sealing rope firmly in position.

**AVAILABLE ACCESSORIES FOR THE HIGHLANDER 10 MULTI-FUEL STOVE**

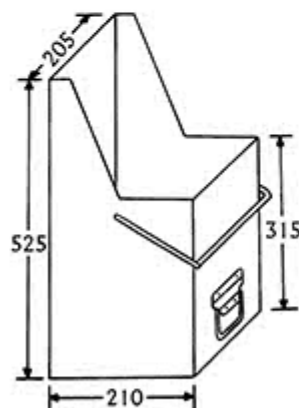
ALL MEASUREMENTS IN MILLIMETRES

**Multi-Fuel Ash Container Dunsley Part No. 01414**



The Highlander ash shovel slides into the ash container to avoid possible spillage of ash when carrying through your residence.

**Fuel Carrier Dunsley Part No. 01429**

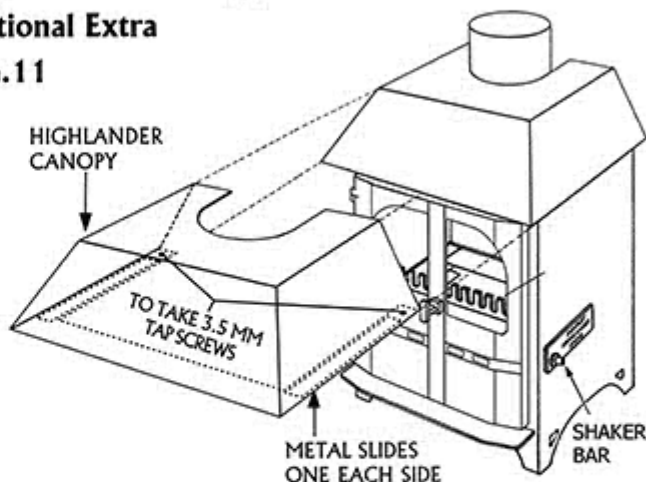


The nose fits easily through the door of the Highlander to re-fuel.

**Highlander 10 Canopy Part No. 02381**

Optional Extra

FIG. 11



The Canopy is available as an optional extra, it can be fitted or removed at any time. Please note - this would increase the overall height of the stove by 150mm.

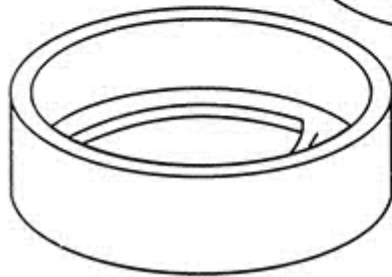
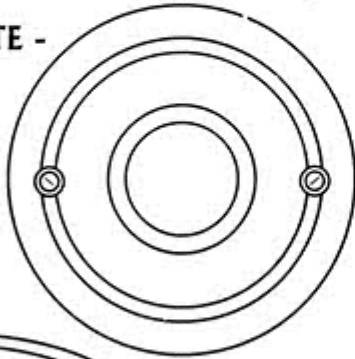
The canopy is fitted after the installation of the stove has been completed, the flue system checked with the stove under fire.

To fit the canopy slide the open end onto the top of the stove with the bottom below the stove top and the metal brackets on each side of the inside of the canopy sliding on top of the stove top, push well back to stop. The two holes at the back of the bottom flanges are to take the two 3.5mm x 16mm tap head screws provided. Screw the screws fully in, they come through at the back of the Highlander top and hold the canopy in position, see FIG. 11.

**CONVERTING TO REAR FLUE OUTLET**

The Highlander 10 can be fitted as a top or rear flue outlet. For transport reasons it is supplied with the flue outlet fitted to the top position and the blanking plate fitted to the rear outlet position. They are not permanently fixed and are interchangeable. Remove both, decide which position you intend to use them, using the two flue sealing gaskets supplied fix them in the position required ensuring the joint is sealed with the gasket and the slotted set screws are well tightened.

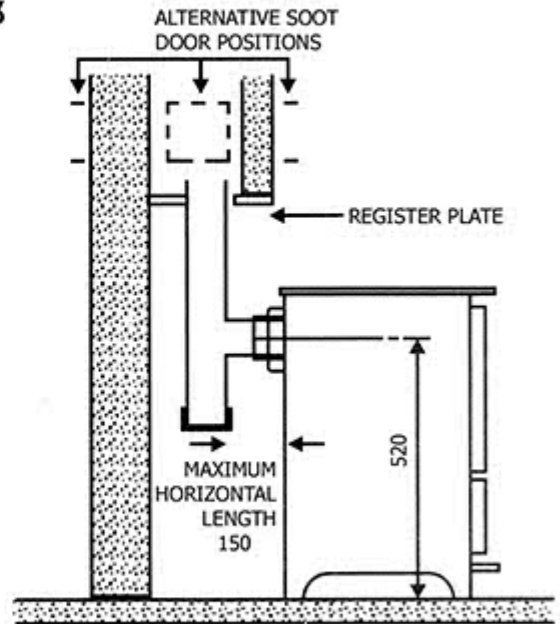
**BLANKING PLATE -**  
Part no. **02122**



**FLUE OUTLET -**  
Part no. **02123**

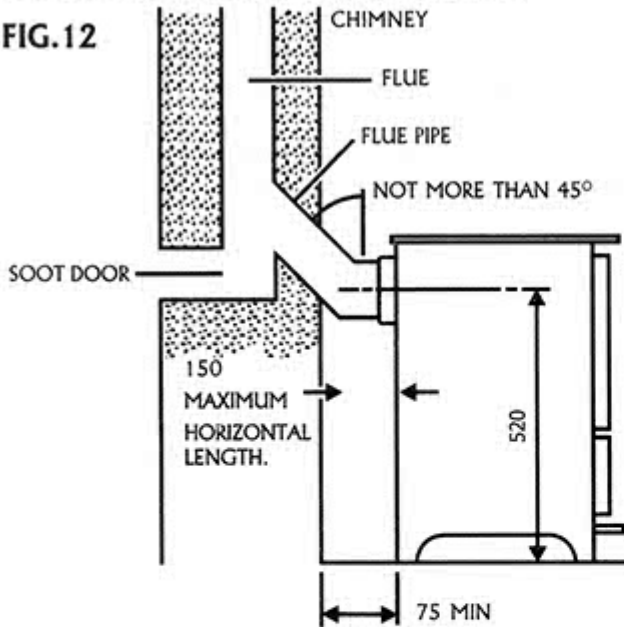
**REAR FLUE OUTLET INSTALLATION ALTERNATIVE**

FIG.13



**REAR FLUE OUTLET INSTALLATION**

FIG.12



**N.B. DRAWINGS NOT TO SCALE**

**FOR YOUR INFORMATION- DUNSLEY ALSO MANUFACTURE**

Real Flame Solid Fuel open Fires with High output boilers.

Dunsley Yorkshire stove. H.M. Government clean air act approval Smokless stove.

Dunsley/Baker Neutralizer to link two boilers into one central heating system.

Oxyptic inhibitor and leak sealer.  
Guards against scaling, rusting, oxide sludge and leaks.

Please phone for advice or literature.