

# MAINTENANCE AND SERVICING INSTRUCTIONS

The stove flueways and throat brick must be kept clear. The frequency of cleaning will depend on use and the fuels burnt, as a guide we suggest:-

## EVERY MONTH

when the fire is out and the stove is cool, lift off the top hot plate and pull out the throat brick underneath using gloved hands.

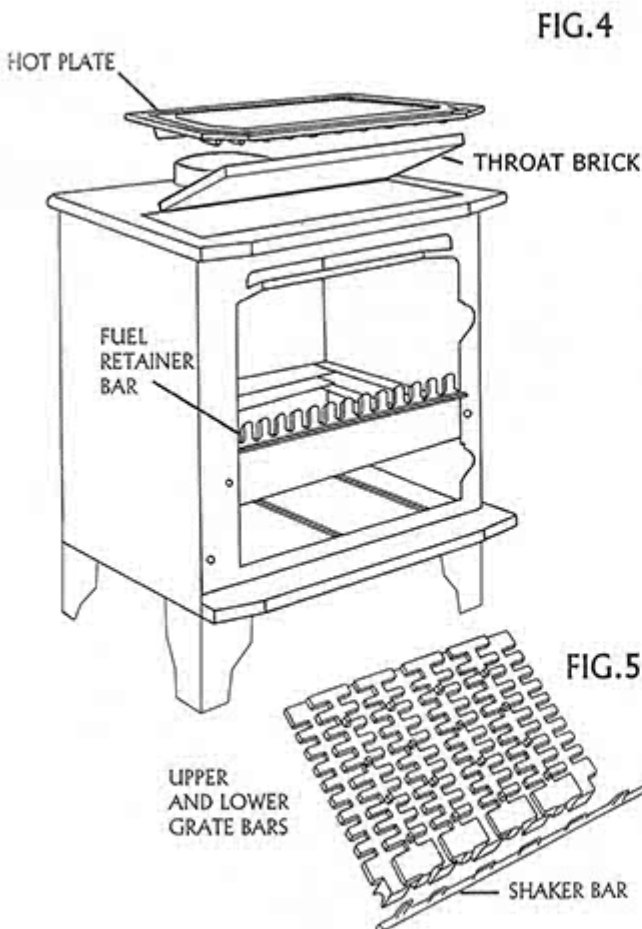
When cleaning is completed insert the throat brick push well back to stop.

Check for soundness of the bricks and remove any fly ash which might otherwise lead to a blocked flueway. Also check the entrance to the flue at the rear of the firegrate and remove excess ash.

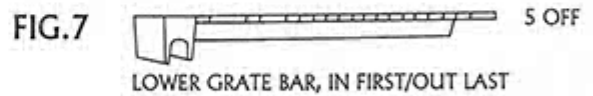
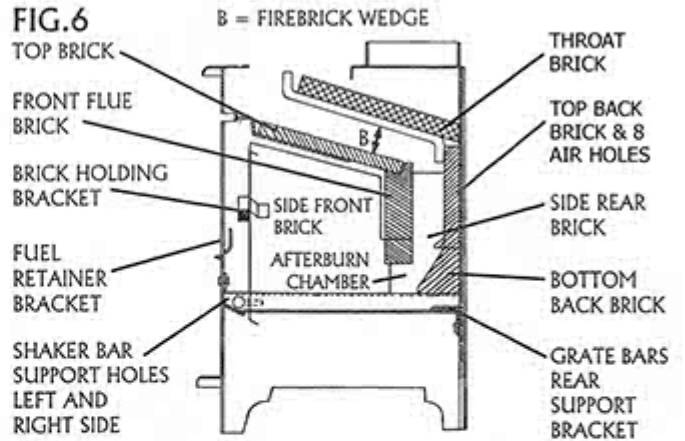
## EACH YEAR - EVERY SIX MONTHS IF BURNING COAL

Have the chimney swept, using a wire centred sweeps brush fitted with a guide wheel. We strongly recommend that you engage a qualified chimney sweep (See the information on the front cover). Any purpose provided ventilation should be checked periodically at least once per year, to ensure it is free from obstruction.

## STOVE WITH DOORS, FIREBRICKS, GRATE BARS REMOVED



## STOVE SIDE VIEW, WITH FIREBRICKS, THROAT PLATE IN POSITION



## 1. FITTING THE GRATE BARS

The shaker bar is already fitted, it should not normally be removed. (If it is to be removed see para 3. also FIG.5. and 6. above.)

- Turn the shaker bar so that the projections are facing upwards, see FIG.5.
- Place the 5 lower grate bars in position first, insert the bars with the half round boss facing downwards, see Fig.7. to rest on the shaker bar between the projections, with the rear end of the bar resting on the rear support bracket below the firebricks. See FIG.6.
- Place the 4 upper grate bars on top and between the 5 lower grate bars, with the recess in the bottom fitting on the projections of the shaker bar, see FIG.8.

## 2. FITTING FUEL RETAINER BAR

- See FIG.4, 6+9. Note the fuel retainer brackets, one each side of the door opening.
- See FIG.4. and 9. Fuel retainer bar, take hold with the castle projections uppermost and the sloping skirt facing inwards to the firebox to protect the riddling movement. Slide the retainer bar into the holding brackets.

NOTE: The fuel retainer bar must be taken out first to remove the grate bars.

- To remove the shaker bar, remove fuel retainer bar, remove all grate bars, remove the name plate at the right side facing by removing the two screws, turn the bar so the projections face backwards, slide the bar into the key hole slot at the right, push the bar inwards and upwards at the left side, pull out of the key hole slot and remove. Replace in reverse order.

## YORKSHIRE STOVE

### FIREBRICKS - SEE Fig. 10 below

The Yorkshire stove is supplied with all firebricks fitted. The firebricks should not be removed except to replace broken ones, or if it is known a seal is broken and requires replacing.

The firebricks are sealed at the relevant joints with fibre seal, to give a flexible and heat resistant seal. They are held in place at the front of No.5. bricks with a brick holding bracket to enable removal and replacement, yet hold them firmly in position during use. See Fig.6. Page 7.

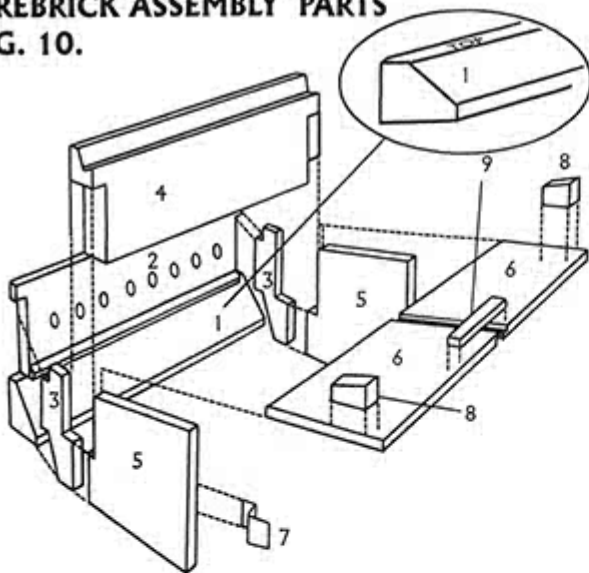
If it is required to remove or refit the firebricks, proceed as follows to the firebrick you wish to replace, then re-assemble in reverse order.

#### GLOVES MUST BE WORN TO PROTECT HANDS

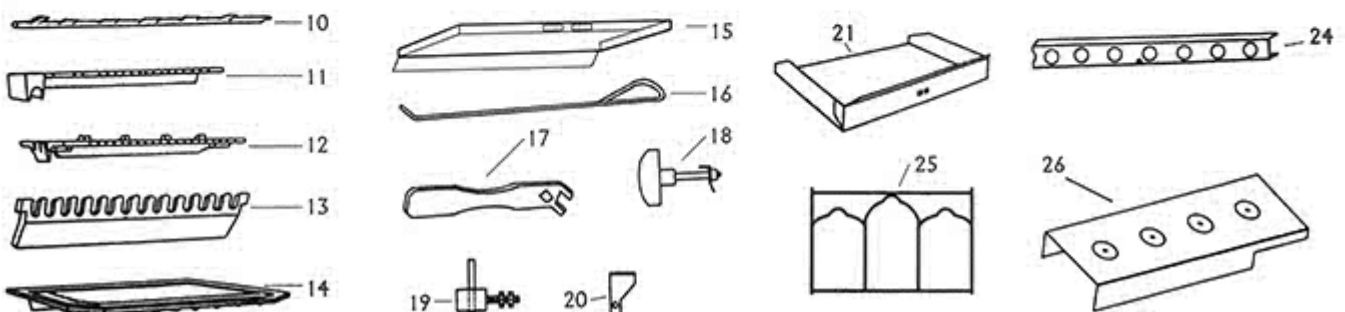
#### THE STOVE MUST BE COLD

- A. Remove hot plate. Remove throat brick, See FIG. 4. Page 7.
- B. Remove No 8, firebrick wedges above No. 6. Bricks, one on each side.
- C. Remove No. 9. metal wedge above No. 6. bricks, which crosses both No. 6. bricks at front top.
- D. Remove No. 6. bricks, left and right top, these bricks are interchangeable.
- E. Remove No. 7. the brick holding brackets, from No. 5. bricks left and right side. The brackets are not fixed by screws, lift upwards to remove, lightly tap if necessary See FIG. 6. Page 7.
- F. Remove No. 5. bricks, left and right side front, these bricks are interchangeable.
- G. Remove No. 4. brick, front flue brick.
- H. Remove No. 3. bricks, left and right side rear, these bricks are interchangeable.
- I. Remove No. 2. brick, top back brick.
- J. Remove No. 1. brick, bottom back brick. Note this brick has the word TOP cast on the top face, ensure this brick is replaced correctly, otherwise the remaining bricks will not fit. See FIG. 10. REPLACE IN REVERSE ORDER.

#### FIREBRICK ASSEMBLY PARTS FIG. 10.



KEY No.	LIST OF SPARE PARTS items marked * not on drawing	No. OFF	DUNSLEY PART No.
1	Bottom back brick	1	02001
2	Top back brick	1	02002
3	Side rear brick, interchangeable	2	02003
4	Front flue brick	1	02004
5	Side front brick, interchangeable	2	02005
6	Top brick, interchangeable	2	02006
7	Firebrick holding bracket, interchangeable	2	02007
8	Firebrick wedge, interchangeable	2	02008
9	Metal wedge	1	02009
10	Shaker Bar	1	02010
11	Lower grate bar	1	02011
12	Upper grate bar	1	02012
13	Fuel retainer bar	1	02013
14	Hot plate	1	02014
15	Throat Brick	1	02015
16	Hooked poker	1	02016
17	Operating tool	1	02017
18	Door knob assembly, either door brass or black	1	02018
19	Hinge assembly, either door	1	02019
20	Hinge pin retainer, top hinge only	1	02020
21	Ash shovel	1	02021
24	Air control damper	1	02026
*	Knob for air control damper brass or black	1	02027
*	Ceramic glass for top door	1	02028
*	Top door	1	02029
*	Bottom door	1	02030
*	Air diverter	1	02031
*	Glass retainer tabs with screws	4	02032
*	Fibre seal for glass	1	02033
*	Sealing rope for hot plate	1	02034
*	Sealing rope for top door	1	02035
*	Sealing rope for bottom door	1	02036
*	Sealing strip for firebricks	1	02037
*	Sealing rope glue	1	02038
*	Griddle (see page 9)	1	02039
*	Trivet (see page 9)	1	02040
*	Ash Container (see page 9)	1	01414
*	Fuel Carrier (see page 9)	1	01429
25	Decorative Window Trim (see page 9)	1	02041
26	Stainless Steel grate bar	4	02043



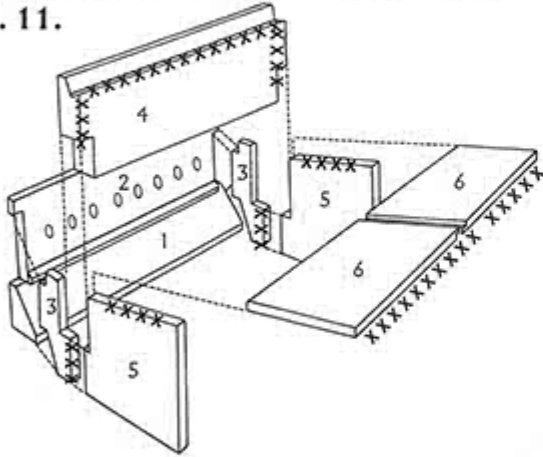
**N.B. DRAWINGS NOT TO SCALE**

## YORKSHIRE STOVE

### REPLACING SEALING ROPE AS REQUIRED

The sealing rope on the firebricks of the Yorkshire Stove is manufactured from high quality material and should not normally require replacing. However it may become necessary to replace the sealing rope or bricks for some reason in the future. Please refer to the drawing below, also page 8 FIG. 10. When replacing the rope hold in position with spots of glue whilst the bricks are being re-assembled. The bricks will then hold the rope firmly in position. The joints requiring rope seals are marked with an X.

FIG. 11.



- No.1. Brick requires no sealing rope.
- No.3. Bricks have sealing on the front edge.
- No.4. Brick has sealing at both ends where it fits into the recess between 3 and 5. Also on the top front ledge.
- No.5. Bricks have sealing on the top edge.
- No.6. Bricks have sealing on the front underside where it sits on the metal ledge.

### TO REPLACE DOOR GLASS OR FIBRE SEAL

The glass is held in position by four retainer tabs, remove the tabs, ease the glass out at the bottom then remove. Check fibre seal and replace with new as required, check small gaskets on retainer tabs and replace as required.

Replace in reverse order.

If it is required to remove the door it is not necessary to disturb the door hinge adjustment.

Open the door to at least 90°.

The door is pivoted on top and bottom pin. Remove the hinge pin retainer, (top hinge only). Remove the bottom pin upwards. Remove the top pin downwards.

Replace in reverse order.

In some instances it could be necessary to insert a screwdriver, or similar, under the head of the pin to move it out.

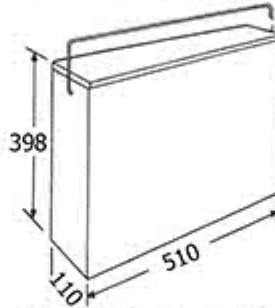
### TO RENEW THE SEALING ROPE ON THE DOORS OR HOT PLATE

Remove old sealing rope, clean metal groove with steel wool or similar, put adhesive Part No. 02038 in bottom of groove and push new sealing rope firmly in position.

## AVAILABLE ACCESSORIES FOR THE YORKSHIRE MULTI-FUEL STOVE

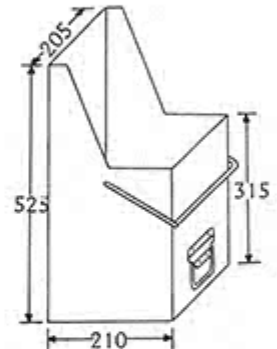
ALL MEASUREMENTS IN MILLIMETRES

### Multi-Fuel Ash Container Dunsley Part No. 01414



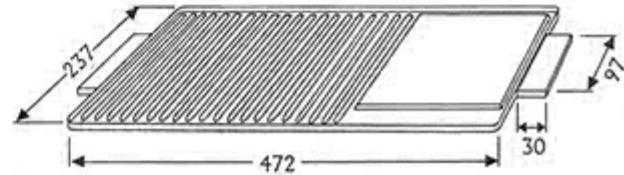
The Yorkshire ashpan slides into the ash container to avoid possible spillage of ash when carrying through your residence.

### Fuel Carrier Dunsley Part No. 01429



The nose fits easily through the top door of the Yorkshire to re-fuel.

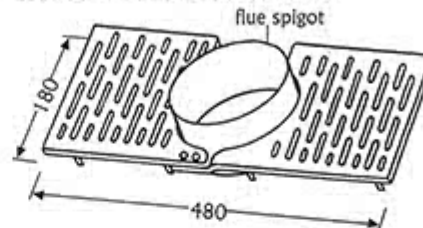
### Griddle - Part No. 02039



The Griddle fits on top of the hot plate ideal to griddle your bacon, sausage, chops, steaks etc.

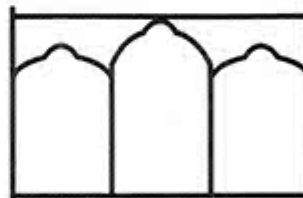
The Dunsley Griddle has been specially designed for the Yorkshire Stove, it has a ribbed surface and a flat surface for different foods. If you require more information please send for a leaflet. The griddle can also be used on most gas and electric ovens.

### Trivet - Part No. 02040



The Trivet fixes round the flue spigot, held securely by two screws and raised slightly from the stove top to keep food or liquid warm.

### Decorative Window Trim Part No. 02041



This window trim is easy to fit or remove. Push the top projections up the front of the glass, between the glass and iron frame, then lower bottom protrusions between glass and iron frame, push down into position. Reverse to remove.



### Dunsley Heat Limited

Bridge Mills, Huddersfield Road, Holmfirth, West Yorkshire HD9 3TW  
Tel: (01484) 682635 Fax: (01484) 688428 email: sales@dunsleyheat.co.uk  
Web Sites: www.dunsleyheat.co.uk www.multifuelcookers.co.uk

QUALITY  
COUNTS

Dunsley operate a policy of constant development. Details can vary as development continues from those given in this publication.

LEAVE THESE INSTRUCTIONS ADJACENT TO THE INSTALLED AND TESTED APPLIANCE