

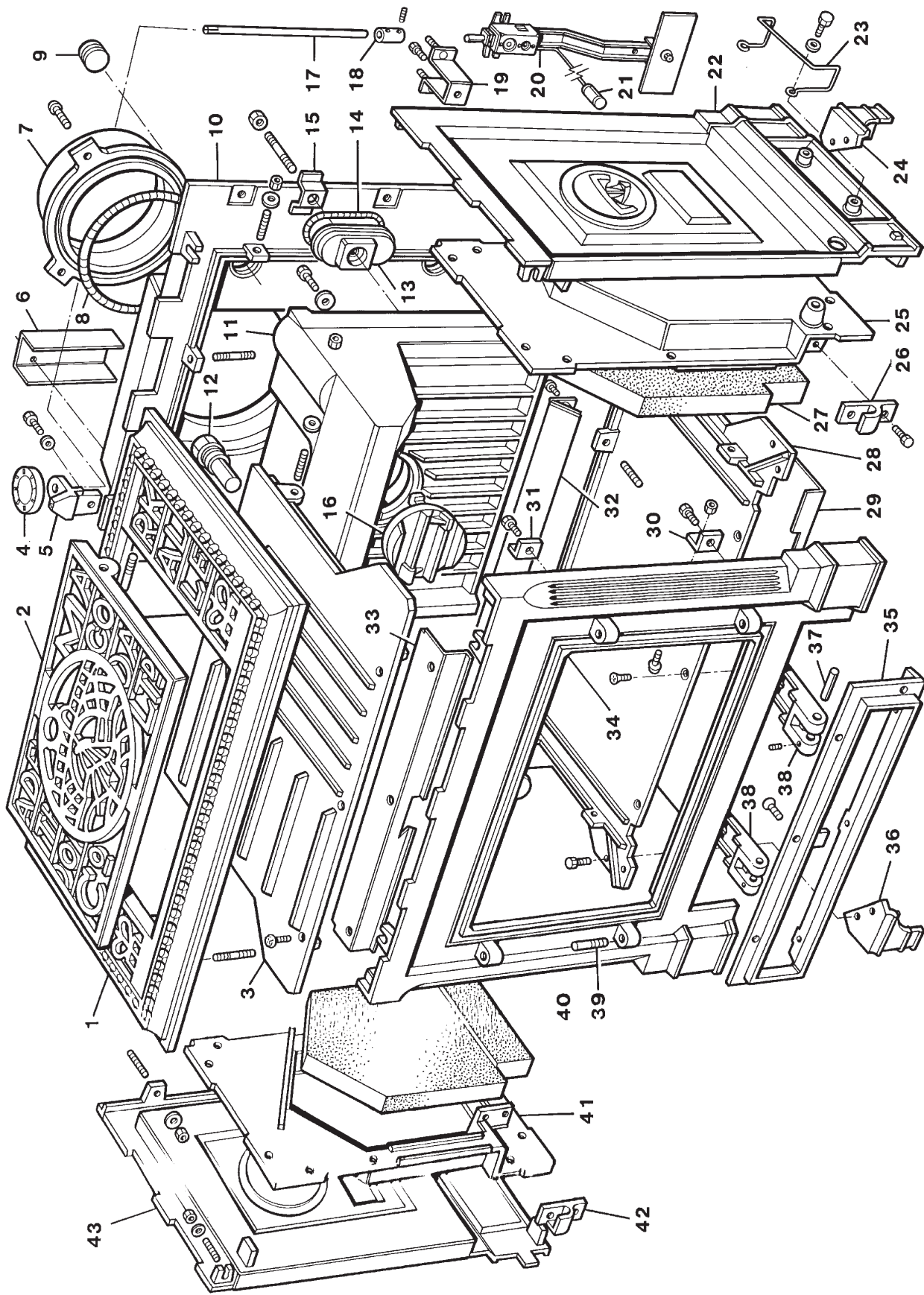
**COALBROOKDALE  
DARBY STOVE  
(BOILER MODEL)**

***SPARE PARTS  
MANUAL***

**COALBROOKDALE DARBY STOVE - BOILER MODEL  
MAIN BODY ASSEMBLY**

**JANUARY 2005**

<b>ITEM No.</b>	<b>CAT No.</b>	<b>DESCRIPTION</b>	<b>PRODUCT CODE</b>
1	C1609	DECORATIVE TOP PLATE	HS5M-D306
2	C1102	DECORATIVE LIFT UP LID	HS5M-D307
3	C1468	FIREBOX TOP PLATE	HS5M401007
4	C1072	THERMOSTAT KNOB	HS4T34028
5		THERMOSTAT MARKER BRACKET	HS5M-D382
6		THERMOSTAT COVER	HS4M46634
7	C1121	FLUE COLLAR 8" (CI PIPE)	HS5M-D360
7A	C1119	ALTERNATIVE FLUE NOZZLE FOR USE WITH TEE PIECE	HS5M-D356
8		ROPE G/FIBRE	
9	R2140	1" BSP TAPER PLUG	SS4M39331
10		BACK PLATE (40,000 BTU)	HS5M401030
11	C1019	40,000 BTU BURNER BODY	HS1W-D380
12		THERMOSTAT PHIAL POCKET	
13		THERMOSTAT MUDLID	
14		THERMOSTAT MUDLID GASKET	
15		THERMOSTAT MUDLID CLAMP	
16	C1141	FLUE CLEANING DOOR	HS5M-MW250
17	C1073	THERMOSTAT SPINDLE EXT	HS4T42865
18		THERMOSTAT SPINDLE ECT (included in item 17)	
19	C1071	THERMOSTAT BRACKET	HS2M401032
20	C1074	THERMOSTAT	HS4T46660
21	C1070	AIR INLET FLAP	HS1M401035
22	C1681	RH DECORATIVE SIDE PLATE	HS5M-D304-1
23		OPERATING TOOL CRADLE	HS4M32040
24	C1311	LEG STANDARD	HS5M-D330-1
25	C1122	RH FIREBOX SIDE PLATE	HS5M-D388
26	C1114	RH ROCKER SUPPORT	HS5M-D324
27	C1024	RH SIDE FIREBRICK	HS4FD-300-RH
28	C1464	BASE PLATE	HS5M401009
29		HEAT SHIELD	HS2M401000
30		BOTTOM FIXING BRACKET	HS2M401001
31	R2950	TOP FIXING BRACKET	RS4M22864
32		AIR DEFLECTOR SHIELD	HS1M401038
33		FRONT HEAT SHIELD	HS2M401021
34	C1463	FRONT PLATE	HS5M401005
35	C1108	ASHPIT DOOR FRAME	HS5M-D315-1
36	C1311	LEG STANDARDS	HS5M-D330-1
37	C1059	HINGE PIN 8MM DIA	HS4M37867
38	C1116	ASHPIT DOOR HINGE BRACKET	HS5M-D327
39		DOOR HINGE PIN	HS4M37866
40	C1023	LH SIDE FIREBRICK	HS4FD-300-LH
41	C1123	LH FIREBOX SIDE PLATE	HS5M-D389
42	C1115	LH ROCKER SUPPORT	HS5M-D325
43	C1682	LH DECORATIVE SIDE PLATE	HS5M-D305-1

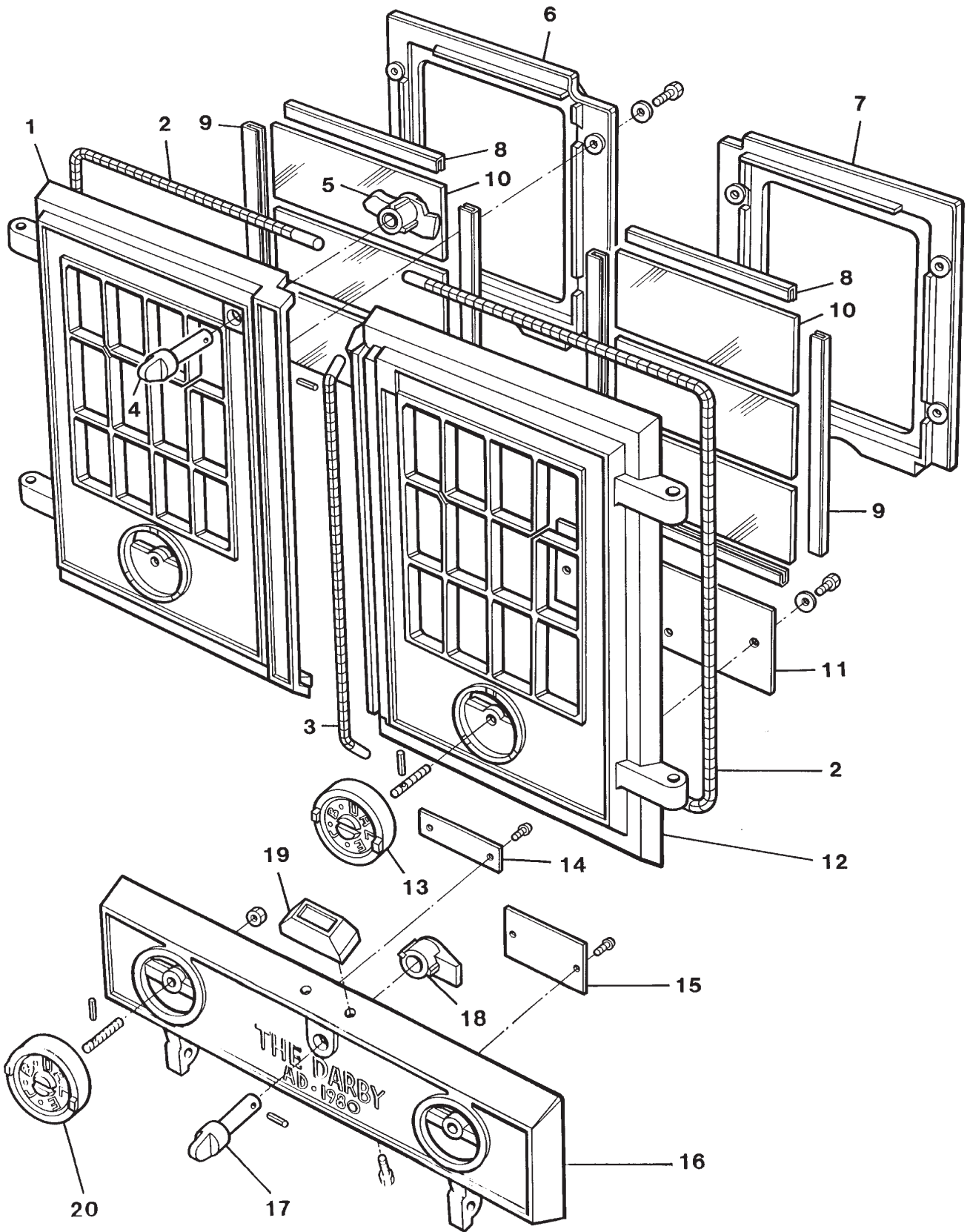


COALBROOKDALE DARBY STOVE - BOILER MODEL  
 MAIN BODY ASSEMBLY

**COALBROOKDALE DARBY STOVE - BOILER MODEL  
FIREDOOR ASSEMBLY**

**OCTOBER 2004**

<b>ITEM No.</b>	<b>CAT No.</b>	<b>DESCRIPTION</b>	<b>PRODUCT CODE</b>
1	C1470	LH FIREDOOR	HS5M401013
2		ROPE G/FIBRE 9 x 895mm LONG (LH & RH)	JTHR20465
3		ROPE G/FIBRE 9 x 400mm LONG	JTHR20467
4	C1061	FIREDOOR CATCH SPINDLE	HS4M37869
5		FIREDOOR CATCH	HS5M-D334-1
6	C1471	GLASS RETAINING FRAME - LH	HS5M-D313LH
7	C1106	GLASS RETAINING FRAME - RH	HS5M-D313RH
8		HORIZONTAL CHANNEL	JAPR26144
8A	C1255	FIREDOOR CHANNELS LH & RH (CONTAINS ITEMS 8 & 9)	HS9M4-26144-5
9		VERTICAL CHANNEL	JAPR26145
10	C1053	GLASS PANEL	HS4M37528
11		AIR DEFLECTOR	HS2M401022
12	C1469	RH FIREDOOR	HS5M401015
13	C1113	AIR INLET SPINNER	HS5M-D323
14		SERIAL NUMBER PLATE	HS4M38744
15		CAUTION BADGE	EGLL34386
16	C1107	ASHPIT DOOR	HS5M-D314-1
17	C1061	ASHPIT DOOR CATCH SPINDLE	HS4M-37869
18	C1384	ASHPIT DOOR CATCH	HS5M-D335-1-AGA
19	C1118	ASHPIT DOOR TOOL LOCATING BRACKET	HS5M-D333-1
20	C1113	AIR INLET SPINNER	HS5M-D323

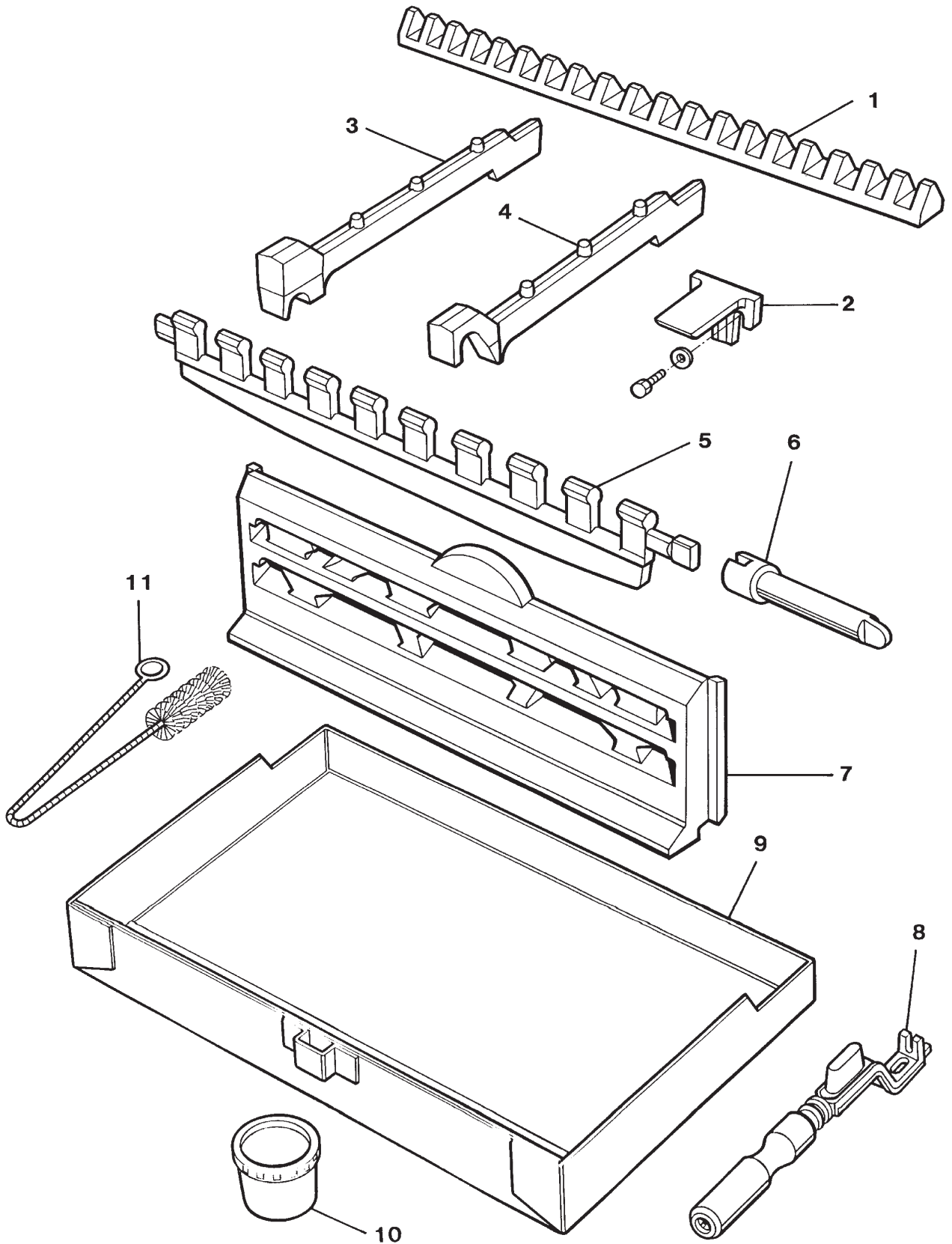


COALBROOKDALE DARBY STOVE - BOILER MODEL  
 FIREDOOR ASSEMBLY

**COALBROOKDALE DARBY STOVE - BOILER MODEL  
ACCESSORIES**

**JULY 1999**

<b>ITEM No.</b>	<b>CAT No.</b>	<b>DESCRIPTION</b>	<b>PRODUCT CODE</b>
1	C1112	BOTTOMGRATE SPACER	HS5M-D320
2	C1545	BOTTOMGRATE SPACER SUPPORT BRACKET	HA5M-D326
3	C1076	BOTTOMGRATE BAR (BOTTOM)	HS5B-D353
4	C1077	BOTTOMGRATE BAR (TOP)	HS5B-D358
5	C1111	ROCKER BAR	HS5M-D319
6	C1060	RIDDLING PIN	HS4M37868
7	C1120	FRONT FIREBAR	HS5M-D357
8	C1207	OPERATING TOOL C/W HANDLE	HS9M-D331COMP
9	C1015	ASHPAN ASSEMBLY	HS1M91425
10		FIRE CEMENT	
11	H1159	FLUE BRUSH	HS4M23323



COALBROOKDALE DARBY STOVE - BOILER MODEL)  
ACCESSORIES