

**ACR**  
FIREBOX STOVES

# Oakdale

Multifuel Cast Iron Stove • Model FB1MF

To be retained by the user for future reference

Thank you for purchasing an ACR Heat Products stove

MULTI  
FUEL

DEFRA  
APPROVED

AIRWASH  
SYSTEM

5  
YEAR  
WARRANTY

[www.harworthheating.co.uk](http://www.harworthheating.co.uk)

Document FB1MF 0101 • Version 1 Date 03/03/14

## Parts Information

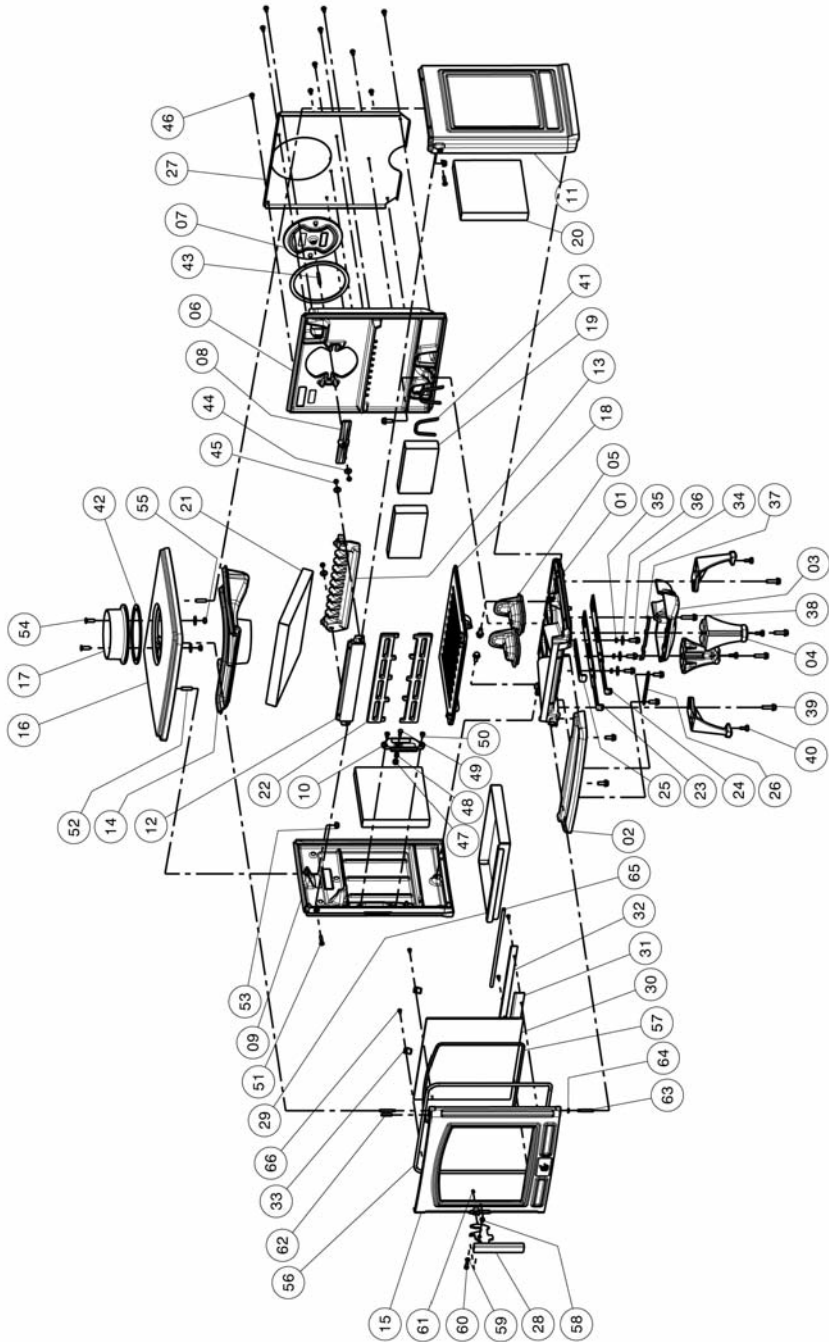


Diagram No.	Part No.	Description
1	03.09244.005	BOTTOM PLATE
2	03.05634.005	ASH LIP
3	03.00395.002	FLUE COLLAR
4	03.52269.005	LEG
5	03.37696.002	AIR TUNNEL
6	03.02476.005	BACK PLATE
7	03.15366.005	COVER TOP PLATE
8	03.07216.002	LOCKING PLATE
9	03.79287.005	SIDE LEFT
10	03.03198.005	COVER PLATE
11	03.79290.005	SIDE RIGHT
12	03.24473.005	FRONT
13	03.37105.002	AIR DEFLECTOR
14	03.37693.002	AIR TUNNEL
15	03.15981.005	DOOR
16	03.69228.005	TOP PLATE
17	03.00314.100	FLUE COLLAR Ø125 INSIDE
18	03.66545.002	FIRE GRATE
19	03.77527.000	BACK PLATE
20	03.77526.000	SIDE PLATE
21	03.77543.000	VERMICULITE BAFFLE PLATE
22	03.77430.002	LOG RETAINER
23	03.38016.000	DRAFT CONTROL
24	03.38017.000	DRAFT CONTROL
25	03.38018.000	DRAFT CONTROL
26	03.31452.000	CLAMPING PLATE
27	03.37697.000	AIR TUNNEL
28	02.27046.000	LATCH
29	03.05241.000	ASH BOX
30	03.26374.000	GLASS
31	03.26163.000	GLASS RETAINER
32	03.29042.000	SUPPORT ROPE
33	03.26101.041	GLASS RETAINER
34	03.22201.041	HEXAGON FLANGE BOLT M8X20 BLACK
35	03.13612.000	BUSH Ø12XØ8X3.5
36	03.18710.000	WASHER 8X25
37	04.26419.000	GLASS FIBER ROPE Ø6MM SELF ADHESIVE
38	03.22204.041	HEXAGON FLANGE BOLT M8X35 BLACK
39	03.22202.041	HEXAGON FLANGE BOLT M8X30 BLACK
40	03.76320.000	ADJUSTBLE LEG
42	04.26422.000	GLASS FIBER BAND 10X3MM SELF ADHESIVE
43	03.19505.000	STUD M6X35
44	03.18701.000	WASHER 6X18
45	03.19410.000	HEXAGON NUT M6
46	03.19303.041	HEXAGON HEXAGON HEAD SCREW M6X12
47	03.13623.041	BUSH Ø13XØ10X7.5
48	03.13619.100	BUSH LATCH 10X8.5X6
49	03.19304.000	HEXAGON HEXAGON HEAD SCREW M6X16
50	03.18601.041	SCREW M6X12
51	03.18605.041	SCREW M6X30 BLACK
52	03.19507.000	STUD M8X20
53	03.22203.041	HEXAGON BLIND RIVET NUT M8
54	03.19701.000	SCREW M8X25
55	03.19401.000	HEXAGON NUT M8
56	04.26408.000	GLASS FIBER ROPE Ø8MM
58	03.13644.041	BUSH LOCKING Ø11.5XØ9X7.4
59	03.16601.000	SPRING WASHER 6MM
60	03.20360.000	SCREW M6X16
61	03.21701.041	SET SCREW M6X6 BLACK
62	03.17806.000	COILED SPRING PIN 6X30
63	03.58610.100	HINGE PIN
65	04.26420.000	GLASS FIBER ROPE Ø8MM SELF ADHESIVE
66	03.19801.041	SCREW M5X10 BLACK