



Neo

Multifuel Stove • Model Neo 1 / Neo 3

To be retained by the user for future reference

Thank you for purchasing an ACR Heat Products stove



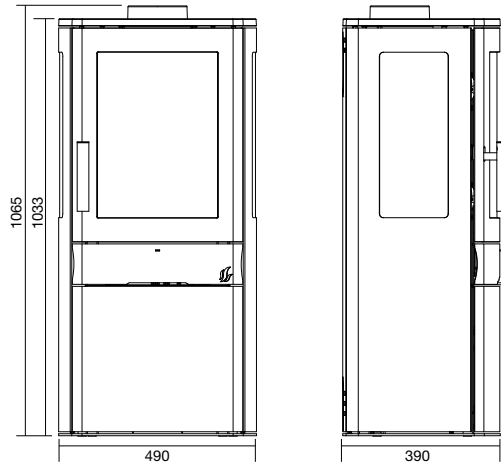
Serial Number:

Document NEO • Version 3 Date 08/07/15

T
E
C
H
N
I
C
A
L
M
A
N
U
A
L

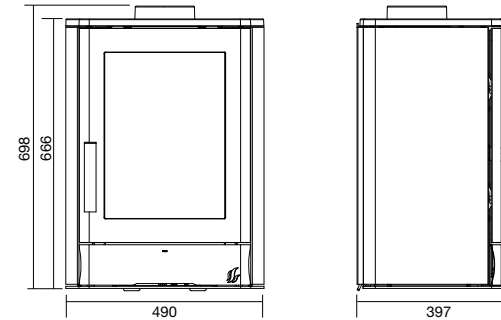
Neo Specifications

Neo 1C / 3C



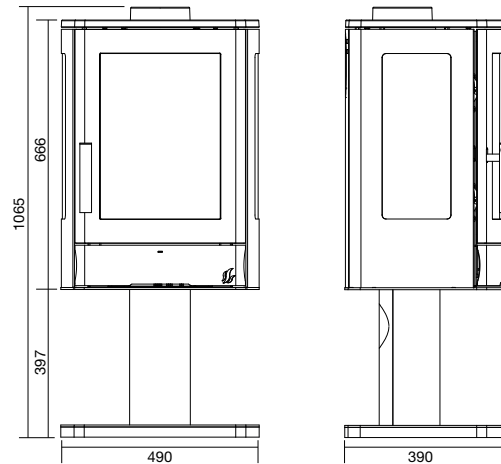
Fuel	Wood with Solid Fuel Option
Nominal Output	5 kw
Net Efficiency	81.8%
Gross Efficiency	74.4%
Max Hearth Temp	Less than 100°C
Weight	110 kg
Max Log Size	40 cm
Flue Diameter	125 mm (inside dia)
Flue Location	Top or Rear
Floor to centre of rear flue outlet	920 mm
Rear of stove to centre top flue outlet	145 mm
Construction	Cast Iron and Steel

Neo 1W / 3W



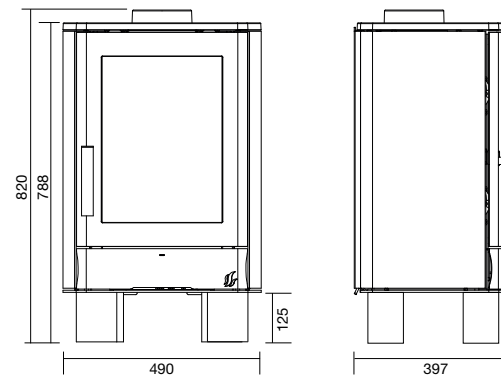
Fuel	Wood with Solid Fuel Option
Nominal Output	5 kw
Net Efficiency	81.8%
Gross Efficiency	74.4%
Max Hearth Temp	Less than 100°C
Weight	90 kg
Max Log Size	40 cm
Flue Diameter	125 mm (inside dia)
Flue Location	Top or Rear
Base of stove to centre of rear flue outlet	556 mm
Rear of stove to centre top flue outlet	145 mm
Construction	Cast Iron and Steel

Neo 1P / 3P



Fuel	Wood with Solid Fuel Option
Nominal Output	5 kw
Net Efficiency	81.8%
Gross Efficiency	74.4%
Max Hearth Temp	Less than 100°C
Weight	105 kg
Max Log Size	40 cm
Flue Diameter	125 mm (inside dia)
Flue Location	Top or Rear
Floor to centre of rear flue outlet	920 mm
Rear of stove to centre top flue outlet	145 mm
Construction	Cast Iron and Steel

Neo 1F / 3F



Fuel	Wood with Solid Fuel Option
Nominal Output	5 kw
Net Efficiency	81.8%
Gross Efficiency	74.4%
Max Hearth Temp	Less than 100°C
Weight	90 kg
Max Log Size	40 cm
Flue Diameter	125 mm (inside dia)
Flue Location	Top or Rear
Floor to centre of rear flue outlet	675 mm
Rear of stove to centre top flue outlet	145 mm
Construction	Cast Iron and Steel

Installation Instructions

Flue Requirements

The chimney must comply with current Building Regulations. Provision must be made to provide access for cleaning the appliance, the flue gas connector and the chimney flue.

flue system without removal of the appliance

- ✓ Free from deposits
- ✓ Well insulated
- ✓ At least 4.5m in height

The flue must be:

- ✓ In sound condition and provide sufficient draft (minimum 12 Pa)
- ✓ Suitable for use with solid fuel burning appliances
- ✓ Be able to clean the entire length of the

The flue must not be:

- ✗ Shared with other appliances
- ✗ Weight bearing on the appliance
- ✗ A smaller diameter than the appliance flue collar size (125mm)

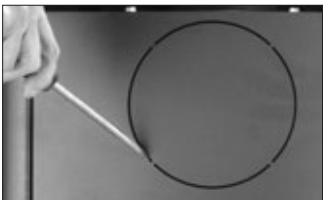
Assembly of the unit

This appliance is equipped with a pre-fitted manufacturers smoke exempt stop. Under no circumstances should it be tampered with or removed unless expressly authorised by a competent person and the appliance is not installed in a smoke exempt area.

If the appliance is to be installed in a non smoke exempt area you can remove the restricting screw on the air control wheel to allow full movement.

The appliance is supplied pre-assembled with the flue spigot in the top exit position.

If you intend to install the appliance using a rear flue connection, the blanking plate should be swapped over as follows:



- Remove the outer blanking plate in the rear panel



- Remove the inner blanking plate by removing the two bolts

- Remove the flue spigot from the top exit by removing the securing bolts and rope seal
- Refit the rope seal and flue spigot to the rear exit and secure with the bolts.
- Refit the blanking plate to the top exit using the rope seal and retaining bolts.
- Insert cosmetic cast iron blanking plate into top casting recess

Installing the Neo 1W/3W

To install the Neo wall hung version firstly check the suitability of the wall where the appliance is to be mounted, paying particular attention to the Neo 1W/3W section on location of unit earlier in this manual.



- Fully unpack the appliance and remove the top casting plate



- Remove both cotter pins from the retaining bar



- Remove the retaining bar by sliding it in any direction and angling the bar upwards before sliding the bar fully out of the brackets
N.B. be careful to support the weight of the mounting bracket when removing the retaining bar



- Carefully tilt the mounting bracket away from the appliance at the top and remove from the bottom supporting hooks

Parts Information Neo 1C

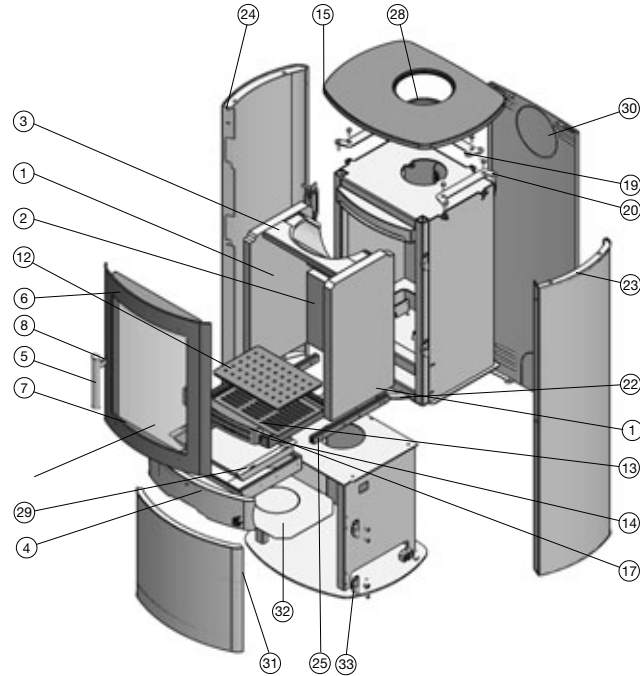


Diagram No.	Part No.	Description	Quantity Required
1	N4140002	Vermiculite side bricks	2
2	N41040003	Vermiculite rear brick	1
3	N41040004	Vermiculite baffle	1
4	N41033000	Sliding ash draw assembly	1
5	N41021000	Handle	1
6	N41020001	Cast iron door	1
7	N17015206	Glass clips	4
8	N41020002	Door handle bracket	1
N/A	N808-30-00	Door roller catch	2
N/A	N41041001	Inner blanking plate	1
N/A	N41041002	Ashpan lid	1
12	N41070003	Cast iron wood grate	1
13	N41070002	Cast iron solid fuel grate	1
14	N41070001	Cast iron grate support	1
15	N41060000	Cast iron top plate	1
16	N41045001	Front door glass	1
17	N41041015	Fuel retainer wood	1
N/A		Fuel retainer solid fuel	1
19	N41041014	Outer rear support bracket	1
20	N41041013	Outer side support brackets	2
N/A	N41041011	Baffle support bracket	1
22	N41041009	Control wheel	1
23	N41131000	Outer right panel	1
24	N41132000	Outer left panel	1
25		Ash draw runners	2
N/A		Door sealing gasket	1.7M
N/A		Glass sealing gasket	1.5M
28	N150-32	Cast iron collar	1
29	N41041002	Ashpan	1
30	N41037000	Outer Rear panel	1
31	N41034000	Cupboard door	1
32	N41041003	Heat Shield	1
33	N41039000	Cupboard hinge	2

Parts Information Neo 3C

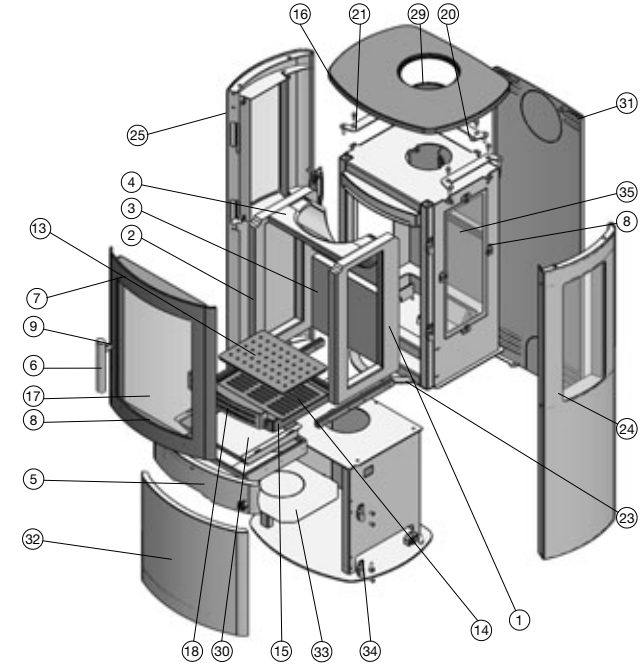


Diagram No.	Part No.	Description	Quantity Required
1	N41040001	Vermiculite right side brick	1
2	N41040002	Vermiculite left side brick	1
3	N41040003	Vermiculite rear brick	1
4	N41040004	Vermiculite baffle	1
5	N41033000	Sliding ash draw assembly	1
6	N41021000	Handle	1
7	N41020001	Cast iron door	1
8	N17015206	Glass clips	20
9	N41020002	Door handle bracket	1
N/A	N808-30-00	Door roller catch	2
N/A	N41041001	Inner blanking plate	1
N/A	N41041002	Ashpan lid	1
13	N41070003	Cast iron wood grate	1
14	N41070002	Cast iron solid fuel grate	1
15	N41070001	Cast iron grate support	1
16	N41060000	Cast iron top plate	1
17	N41045001	Front door glass	1
18	N41041015	Fuel retainer wood	1
N/A		Fuel retainer solid fuel	1
20	N41041014	Outer rear support bracket	1
21	N41041013	Outer side support brackets	2
N/A	N41041011	Baffle support bracket	1
23	N41041009	Control wheel	1
24	N41031000	Outer right panel	1
25	N41032000	Outer left panel	1
26		Ash draw runners	2
N/A		Door sealing gasket	1.7M
N/A		Glass sealing gasket	6.3M
29	N150-32	Cast iron collar	1
30	N41041002	Ashpan	1
31	N41037000	Outer Rear panel	1
32	N41034000	Cupboard door	1
33	N41041003	Heat Shield	1
34	N41039000	Cupboard hinge	2
35	N41045002	Inner side glass	2
36	N41045003	Outer side glass	2

Parts Information Neo 1P

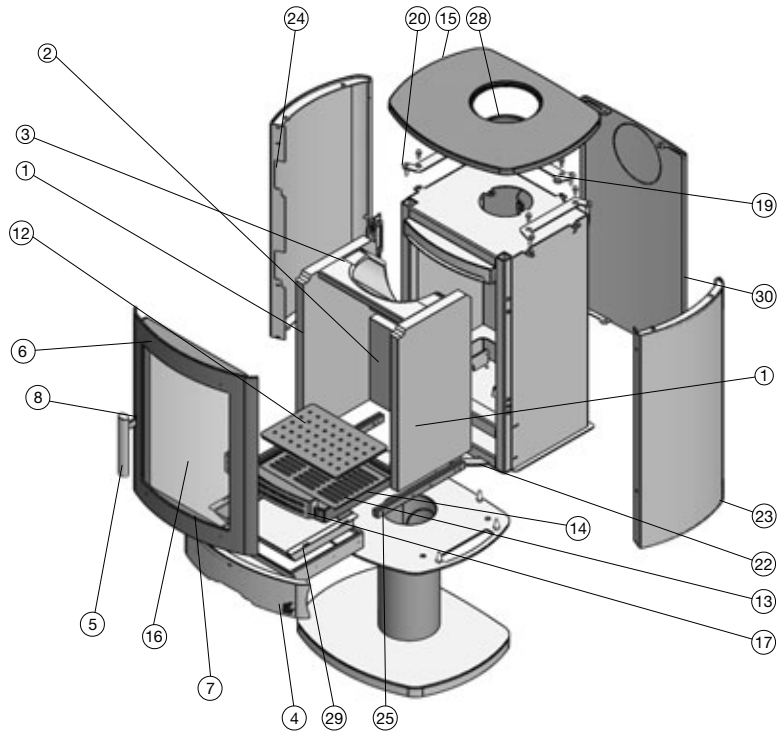


Diagram No.	Part No.	Description	Quantity Required
1	N4140002	Vermiculite side bricks	2
2	N41040003	Vermiculite rear brick	1
3	N41040004	Vermiculite baffle	1
4	N41033000	Sliding ash draw assembly	1
5	N41021000	Handle	1
6	N41020001	Cast iron door	1
7	N17015206	Glass clips	4
8	N41020002	Door handle bracket	1
N/A	N808-30-00	Door roller catch	2
N/A	N41041001	Inner blanking plate	1
N/A	N41041002	Ashpan lid	1
12	N41070003	Cast iron wood grate	1
13	N41070002	Cast iron solid fuel grate	1
14	N41070001	Cast iron grate support	1
15	N41060000	Cast iron top plate	1
16	N41045001	Front door glass	1
17	N41041015	Fuel retainer wood	1
N/A		Fuel retainer solid fuel	1
19	N41041014	Outer rear support bracket	1
20	N41041013	Outer side support brackets	2
21	N41041011	Baffle support bracket	1
22	N41041009	Control wheel	1
23	N41331000	Outer right panel	1
24	N41332000	Outer left panel	1
25		Ash draw runners	2
N/A		Door sealing gasket	1.7M
N/A		Glass sealing gasket	1.5M
28	N150-32	Cast iron collar	1
29	N41041002	Ashpan	1
30	N41237000	Outer Rear panel	1

Parts Information Neo 3P

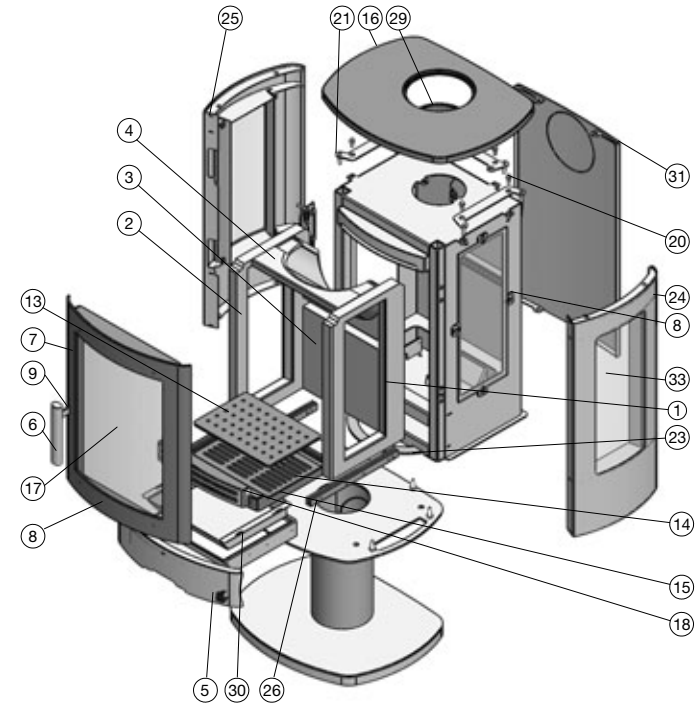


Diagram No.	Part No.	Description	Quantity Required
1	N41040001	Vermiculite right side brick	1
2	N41040002	Vermiculite left side brick	1
3	N41040003	Vermiculite rear brick	1
4	N41040004	Vermiculite baffle	1
5	N41033000	Sliding ash draw assembly	1
6	N41021000	Handle	1
7	N41020001	Cast iron door	1
8	N17015206	Glass clips	20
9	N41020002	Door handle bracket	1
N/A	N808-30-00	Door roller catch	2
N/A	N41041001	Inner blanking plate	1
N/A	N41041002	Ashpan lid	1
13	N41070003	Cast iron wood grate	1
14	N41070002	Cast iron solid fuel grate	1
15	N41070001	Cast iron grate support	1
16	N41060000	Cast iron top plate	1
17	N41045001	Front door glass	1
18	N41041015	Fuel retainer wood	1
N/A		Fuel retainer solid fuel	1
20	N41041014	Outer rear support bracket	1
21	N41041013	Outer side support brackets	2
N/A	N41041011	Baffle support bracket	1
23	N41041009	Control wheel	1
24	N41331000	Outer right panel	1
25	N41332000	Outer left panel	1
26		Ash draw runners	2
N/A		Door sealing gasket	1.7M
N/A		Glass sealing gasket	6.3M
28	N150-32	Cast iron collar	1
30	N41041002	Ashpan	1
31	N41237000	Outer Rear panel	1
32	N41045002	Inner side glass	2
33	N41045003	Outer side glass	2

Parts Information Neo 1W / 1F

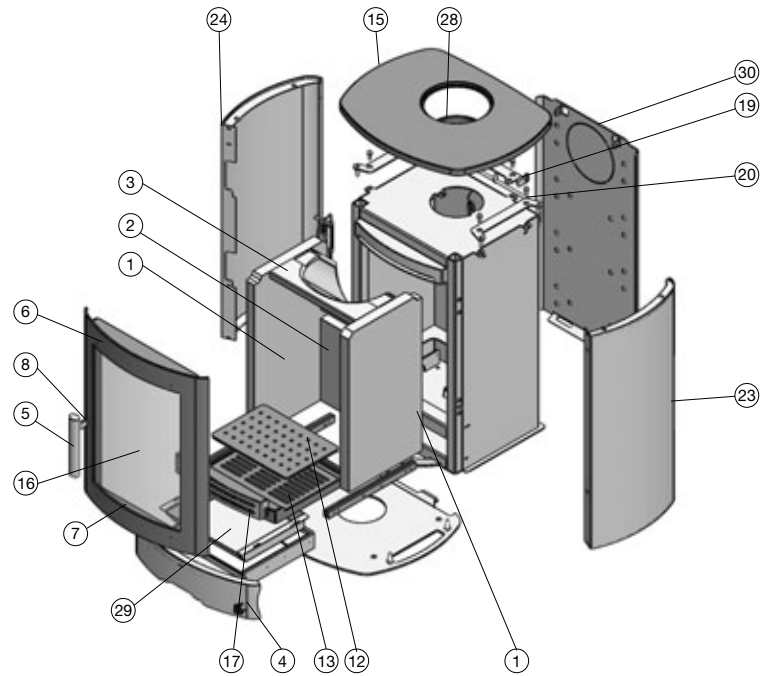


Diagram No.	Part No.	Description	Quantity Required
1	N4140002	Vermiculite side bricks	2
2	N41040003	Vermiculite rear brick	1
3	N41040004	Vermiculite baffle	1
4	N41033000	Sliding ash draw assembly	1
5	N41021000	Handle	1
6	N41020001	Cast iron door	1
7	N17015206	Glass clips	4
8	N41020002	Door handle bracket	1
N/A	N808-30-00	Door roller catch	2
N/A	N41041001	Inner blanking plate	1
N/A	N41041002	Ashpan lid	1
12	N41070003	Cast iron wood grate	1
13	N41070002	Cast iron solid fuel grate	1
14	N41070001	Cast iron grate support	1
15	N41060000	Cast iron top plate	1
16	N41045001	Front door glass	1
17	N41041015	Fuel retainer wood	1
N/A		Fuel retainer solid fuel	1
19	N41041014	Outer rear support bracket	1
20	N41041013	Outer side support brackets	2
N/A	N41041011	Baffle support bracket	1
22	N41041009	Control wheel	1
23	N41131000	Outer right panel	1
24	N41132000	Outer left panel	1
25		Ash draw runners	2
N/A		Door sealing gasket	1.7M
N/A		Glass sealing gasket	1.5M
28	N150-32	Cast iron collar	1
29	N41041002	Ashpan lid	1
30	N41435002	Outer Rear panel	1

Parts Information Neo 3W / 3F

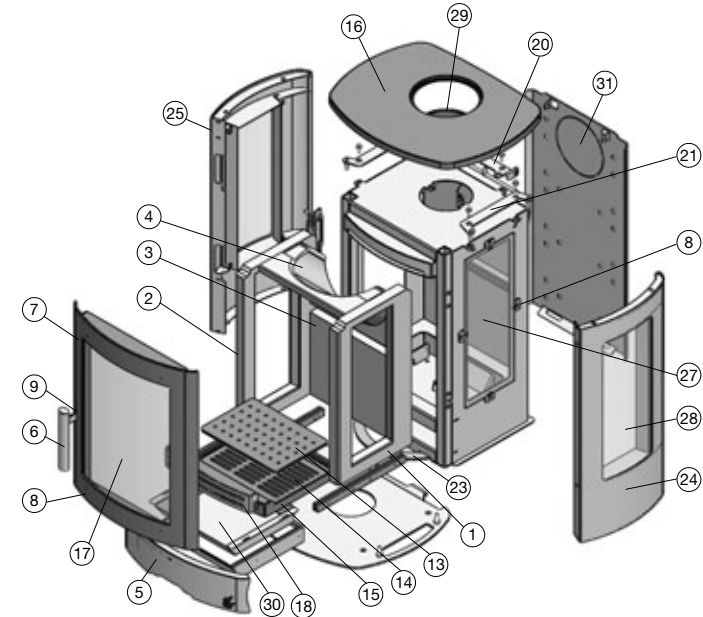


Diagram No.	Part No.	Description	Quantity Required
1	N41040001	Vermiculite right side brick	1
2	N41040002	Vermiculite left side brick	1
3	N41040003	Vermiculite rear brick	1
4	N41040004	Vermiculite baffle	1
5	N41033000	Sliding ash draw assembly	1
6	N41021000	Handle	1
7	N41020001	Cast iron door	1
8	N17015206	Glass clips	20
9	N41020002	Door handle bracket	1
N/A	N808-30-00	Door roller catch	2
N/A	N41041001	Inner blanking plate	1
N/A	N41041002	Ashpan lid	1
13	N41070003	Cast iron wood grate	1
14	N41070002	Cast iron solid fuel grate	1
15	N41070001	Cast iron grate support	1
16	N41060000	Cast iron top plate	1
17	N41045001	Front door glass	1
18	N41041015	Fuel retainer wood	1
N/A		Fuel retainer solid fuel	1
20	N41041014	Outer rear support bracket	1
21	N41041013	Outer side support brackets	2
N/A	N41041011	Baffle support bracket	1
23	N41041009	Control wheel	1
24	N41131000	Outer right panel	1
25	N41132000	Outer left panel	1
26		Ash draw runners	2
N/A		Door sealing gasket	1.7M
N/A		Glass sealing gasket	6.3M
27	N41045002	Inner side glass	2
28	N41045003	Outer side glass	2
29	N150-32	Cast iron collar	1
30	N41041002	Ashpan lid	1
31	N41435002	Outer Rear panel	1