



# Hunter

stoves

DEFRA  
APPROVED



Living Design

*The heart of the home*

Approved for Smoke Control Areas\*

DEFRA  
APPROVED



## Hunter Stoves are built on over 40 years of expertise – and equipped to face the future.

Whichever model you choose, you can now enjoy better performance, more options, and a cleaner future with our DEFRA Approved Stoves.

### Approved for Smoke Control Areas

If you live in a designated Smoke Control Area, the Clean Air Act prevents you from emitting smoke from your chimney – with offenders facing a fine of up to £1000. This means you're usually only able to burn authorised smokeless fuel. However, our fires are not like ordinary stoves.








They smoke so little that DEFRA has declared our stoves exempt from the Clean Air regulations.

This means you can use our approved fires to burn wood, even if you live in a Smoke Control Area. The built-in technology ensures that emissions are consistently low. We're delighted to have met the stringent demands of the Department for the Environment, Food & Rural Affairs. If you're in a Smoke Control Area, you'll be equally delighted with the results.



## Contents

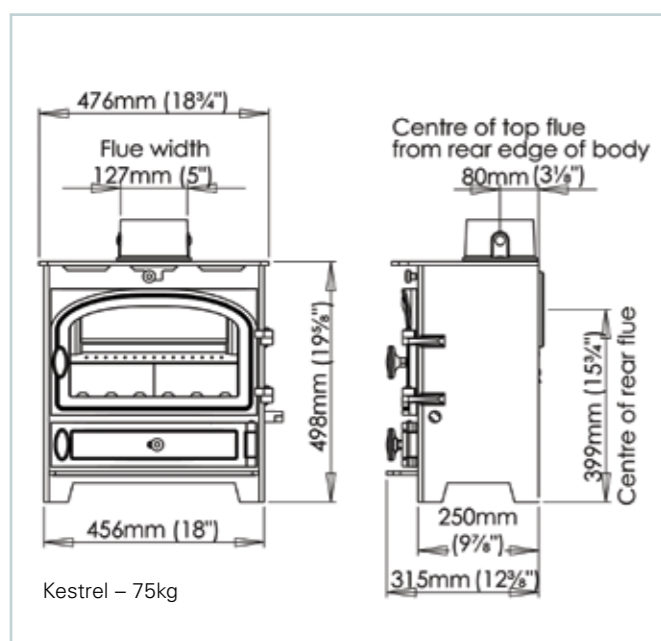
Contemporary, traditional,  
double or single door?  
Style your stove to suit your home.

Kestrel 5	page 2	
Compact 5	page 3	
Telford 5 Inset	page 4	
Telford 8 Inset	page 5	
Hawk 3	page 6	
Hawk 4	page 7	
Herald 4	page 8	
Herald 5 Slimline	page 9	
Herald 6	page 10	
Herald 8 Slimline	page 11	
Low Output Inglenook	page 12	
Hawk 4 Double Sided	page 13	
Herald 6 Double Sided	page 14	
Herald 6 Boiler Option	page 15	
Living Design range	page 16	
Cleanburn technology	page 17	
Technical Key	page 18 - 19	
Options	page 20	
Warranty	page 21	

**DEFRA  
APPROVED**



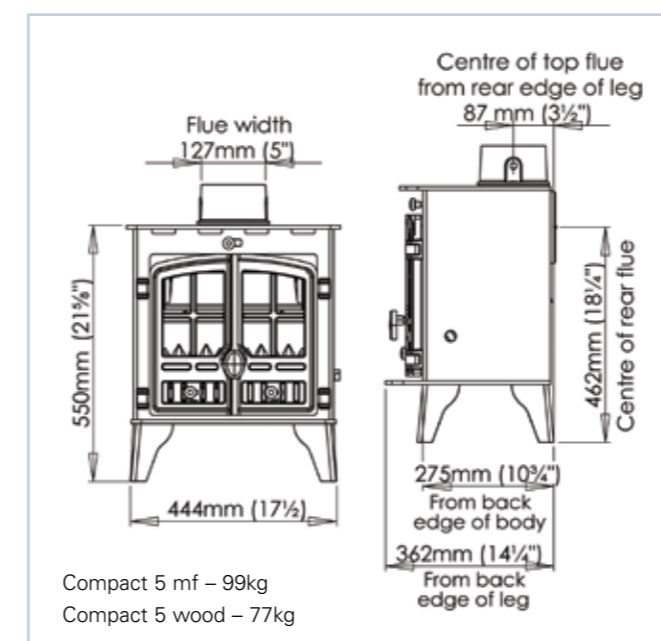
## Kestrel 5



Heat Output: 3.5kW - 5.5kW  
Nominal Heat Output: 4.8kW (no airbrick required)

Super-efficient and supremely stylish, the Kestrel brings an elegant warmth to your home. This stove is neatly proportioned and simply styled for a look that suits any kind of decor. The clean design is matched with a clean nature: a hot airwash keeps the glass clear, and a cool-touch handle allows you to riddle the grate swiftly. Once installed, the only impact the Kestrel 5 will have on your life is a heart-warming one. So pile it with logs or other approved fuel and bask in a surprising blaze of up to 5.5kW.

## Compact 5



Heat Output: 3.5kW - 5.5kW  
Nominal Heat Output: 4.7kW (no airbrick required)

The Compact 5 is perfect for small and cosy rooms. Just like its ancestors, this one has plenty of traditional charm and all the usual options. You can choose your finish (with shades to suit your room) and doors (single or double). It is compact, but no less complete: you'll enjoy a magnificent heat output range of up to 5.5kW thanks to the built-in Tripleburn technology, designed to get the best performance from your fuel. Ready to think big? Squeeze in the deceptively small Compact 5 and light up the room.



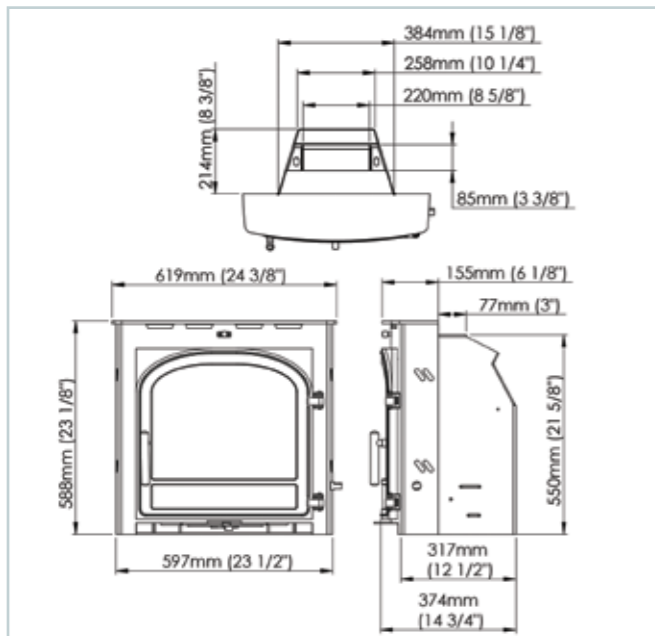
**DEFRA  
APPROVED**



**DEFRA  
APPROVED**



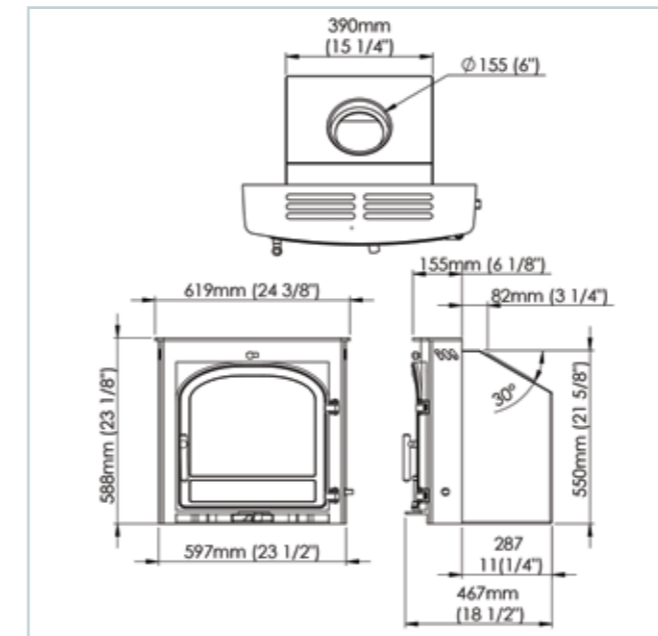
## Telford 5 Inset



Heat Output: 3kW - 5kW  
 Nominal Heat Output: 4.9kW (no airbrick required)  
 NB. If flue liner is required an adapter must be used

Style and efficiency sums up the new Telford 5, it's our most economical inset yet. It not only delivers an impressive 3-5kw output but also achieves 77.1% efficiency burning wood. Installation couldn't be simpler and there's no air brick necessary. We've really put the Telford 5 through its paces in lab tests. DEFRA have recognised this with its stamp of approval meeting their stringent criteria for use in Smoke Control Areas. A bonus with all of this technical efficiency is the Telford 5 will happily provide heat right through the night until the following morning.

## Telford 8 Inset



Heat Output: 5kW - 8kW  
 Nominal Heat Output: 6kW  
 NB. If flue liner is required an adapter must be used

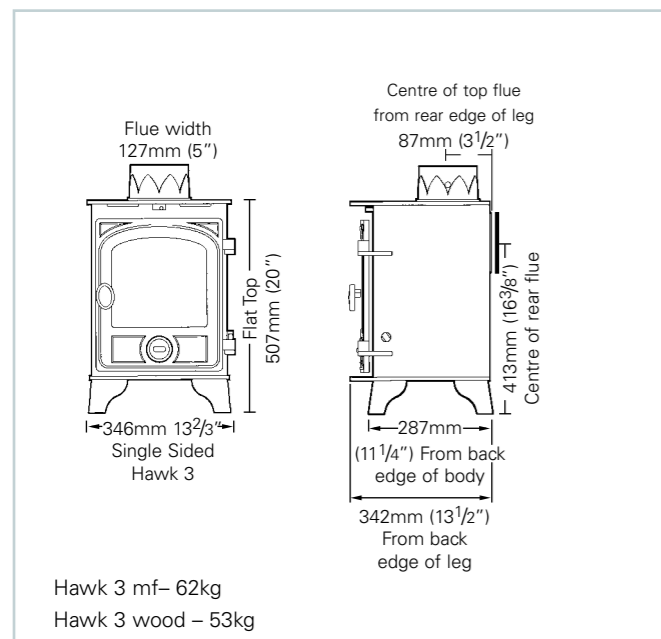
The new Telford 8 Inset has retained its traditional styling but in terms of performance, it's in a whole new dimension. Rigorous testing has ensured that the Telford 8 provides optimum efficiency burning wood; the Cleanburn technology internal air flow burns wood evenly and economically. Your stove will efficiently smoulder through the night.





**Independently  
Tested on  
Smokeless  
Fuels**

## Hawk 3

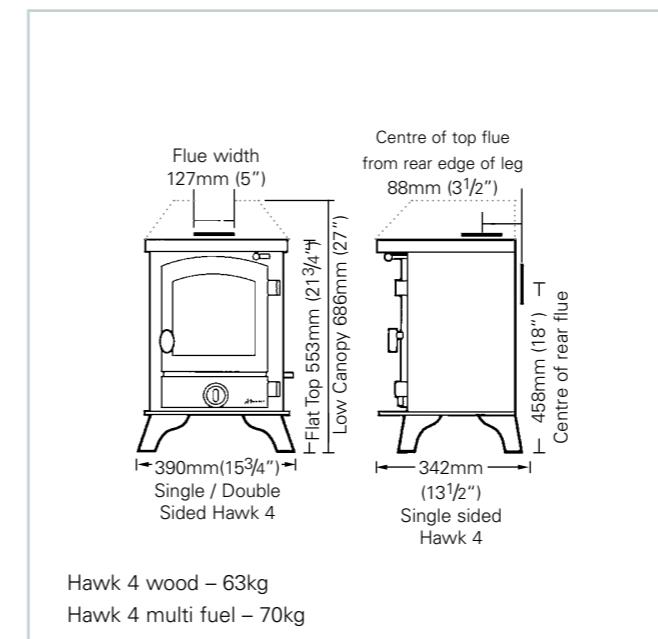


Hawk 3 flat top with traditional door

Heat Output: 2.5kW - 4.5kW  
Nominal Heat Output: 4.2kW  
(no airbrick required)

The Hawk is sure to surprise you. The Hawk 3 can be squeezed into the smallest places – but this neat little stove does not compromise on heat output. There's no skimping on design: with both traditional and contemporary door styles it boasts all the features of our larger stoves; including a cool-touch riddling handle and innovative Cleanburn technology. This may be our smallest model, but it is definitely feisty.

## Hawk 4



Heat Output: 3.5kW - 5.5kW  
Nominal Heat Output: **Wood: 4.7kW**  
(no airbrick required) **Smokeless Fuel: 3.5kW**

Looking for a room heater that's economic to run without compromising on style, consider the Hawk 4. It'll deliver a generous output of 3.5-5.5kw and it's simple to install in the smallest of spaces. We've tested it extensively in our labs to make sure it can go the distance reaching 72.8% efficiency, keeping you and your family snug and cutting down on those heating bills.



Tested at over  
78% Efficiency

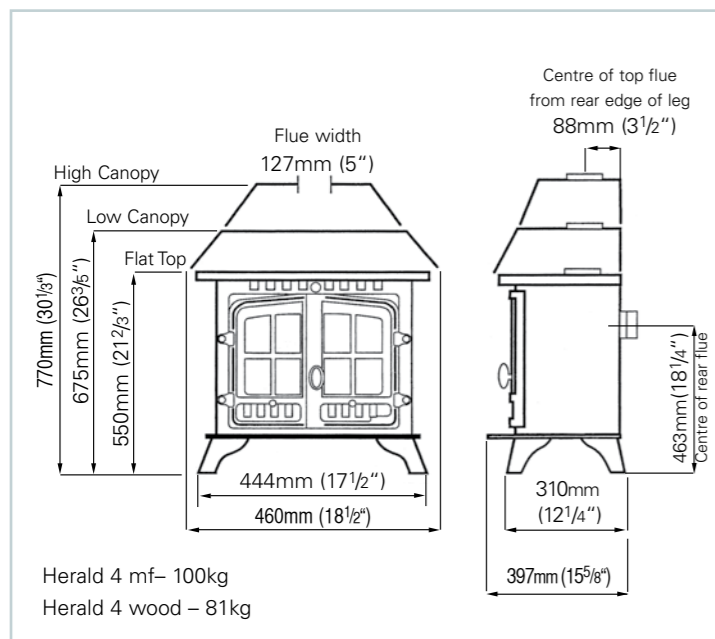
**DEFRA  
APPROVED**



**DEFRA  
APPROVED**



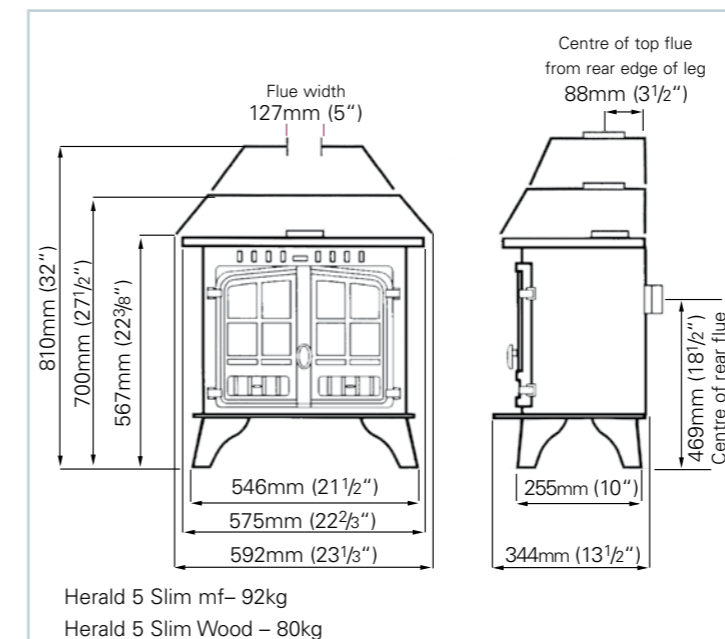
## Herald 4



Heat Output: 3.5kW - 6kW  
Nominal Heat Output: 4kW  
(no airbrick required)

Aspiring interior decorators swoon over the elegant design, choice of coloured finishes, and stylish details including single and double door options. Yes, the Herald 4 has plenty of character, but don't be too distracted by its good looks. Choose the Herald 4 for its efficiency, its capacity, and its convenience. It takes logs or smokeless fuel and provides a heat output of 6kW – our Cleanburn technology means the heat is directed into your room, not your atmosphere. Now, what about those colours? Turn to page 23 to choose.

## Herald 5 Slimline



Heat Output: 3.5kW - 6kW  
Nominal Heat Output: 4.4kW  
(no airbrick required)

There's something elementary about making a fire, no wonder the roaring flames become so hypnotic. The Herald 5 Slimline is designed for those shallower fireplaces, and with a 5" flue for ease of installation our designers have thought of everything. Choose your finish, your doors, or add an optional canopy; the Herald can be as traditional or as simple as you like. The Herald 5 Slimline incorporates our Cleanburn technology and a hot airwash to keep the glass clean and clear. Now it's all yours to customise for your home.

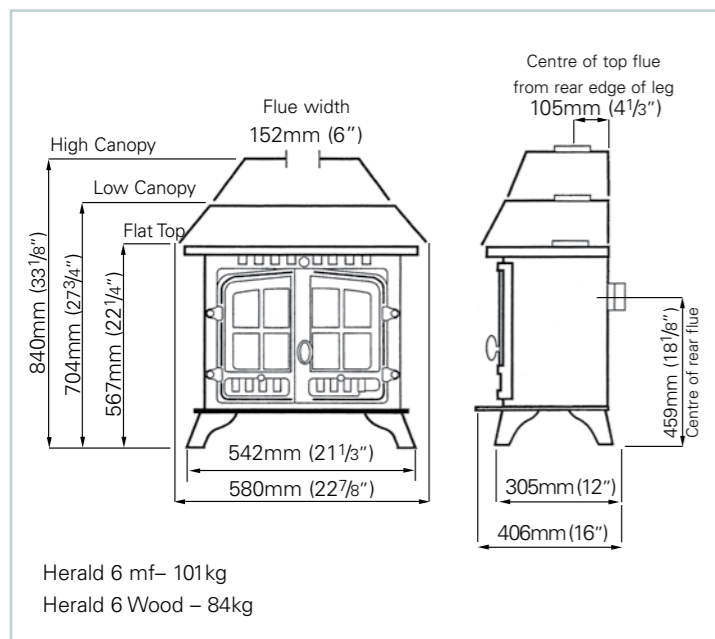
**DEFRA  
APPROVED**



**DEFRA  
APPROVED**



## Herald 6

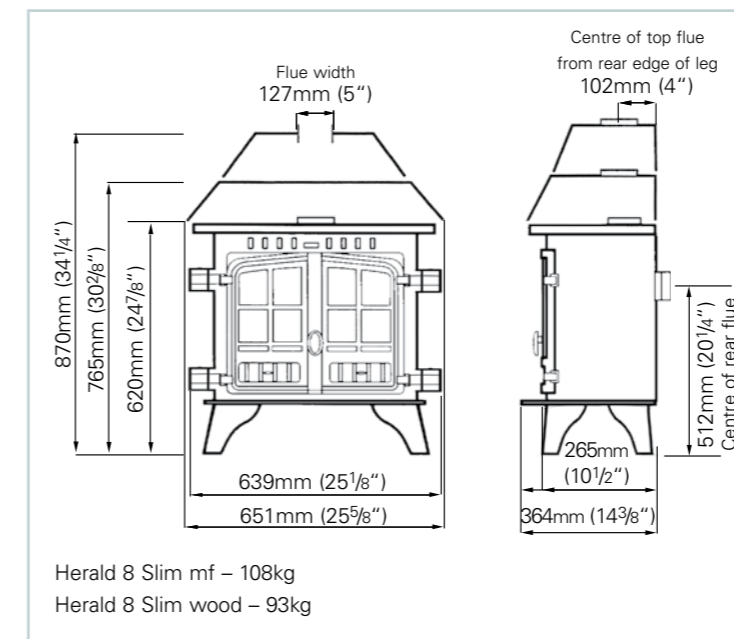


See page 15 for Boiler option



Heat Output: 4kW - 7.5kW  
Fully tested at an independent laboratory on both wood and smokeless fuel.

## Herald 8 Slimline



Heat Output: 4.5kW - 8kW  
Nominal Heat Output: 5kW on a 5" flue (no airbrick required)

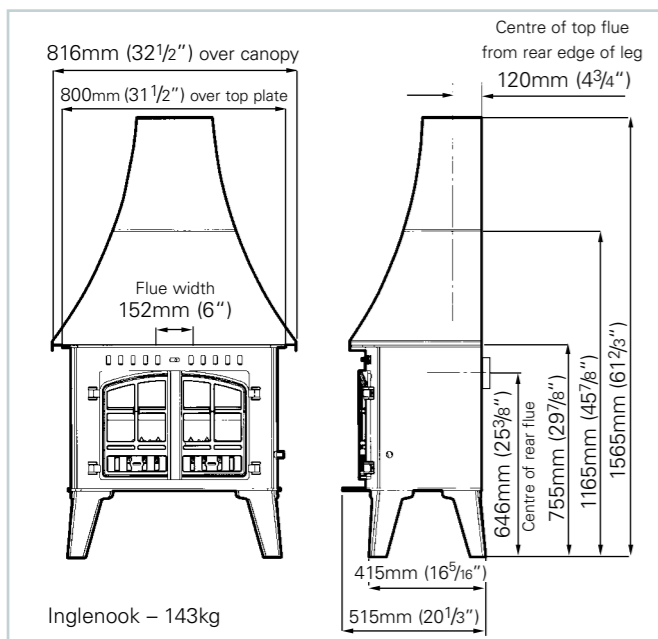
The Herald 6 is the envy of its competitors. That's because not only has it been fully independently tested on both wood and smokeless fuel, but it gives an impressive output of up to 7.5kW, which is very high for its size. The Herald 6 incorporates all the features of the Herald range and is available in plenty of options, giving you flexibility to design a stove that will suit your décor. Choosing the door is just your first step; next decide whether you'd like the optional canopy or back boiler (capable of running two radiators), and which finish will complement your room.

With its slimline design, not only do you have outstanding characteristics, this high-powered model now comes with only a 5" flue for easy installation and delivers outstanding performance. Designed with less depth, the stove can still accommodate logs of up to 19 3/4" long. The Cleanburn system ensures that the fuel gives its utmost, driving heat directly into the room. A hot airwash keeps smoke from the glass window. Delivering a heat output of up to 8kW, the multi-fuel Herald 8 Slimline is all give and no take.

Visit our website  
or ask your dealer for  
the Hunter Superior  
Choice Catalogue  
for the High Output  
Inglenook Stove



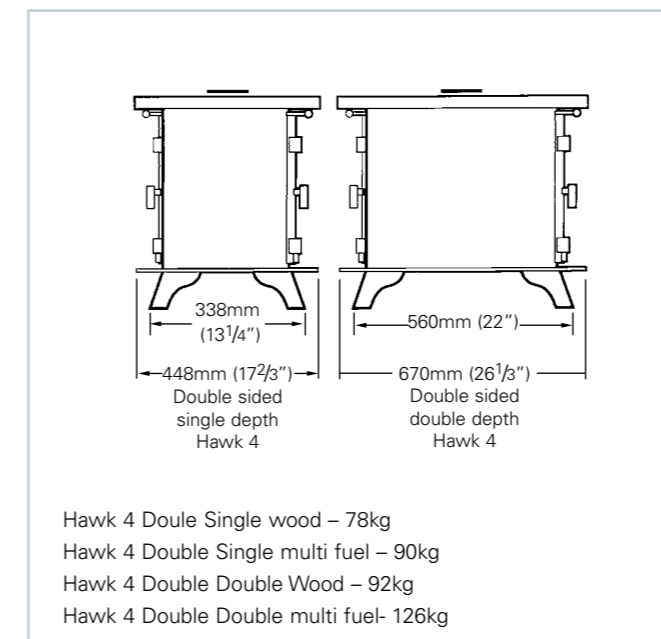
## Low Output Inglenook



Heat Output: 5kW - 7.5kW  
See our website [www.hunterstoves.co.uk](http://www.hunterstoves.co.uk) or  
the Superior Choice Brochure for the High Output  
Inglenook Stove

Choose the Inglenook for a traditional fire in the heart of your home. With its unique canopy options and wide footprint, this stove is as practical as it is beautiful. Producing a heat output of between 5kW and 7.5kW, it's ideal for the larger fireplace in a fairly small room and designed to burn logs and smokeless fuel cleanly and efficiently. Choose to have it with or without a canopy and select your finish from a choice of three to create your perfect fireplace. Just the place to curl up for a bedtime story.

## Hawk 4 Double Sided



Heat Output: Double Single 4kW - 6kW  
Heat Output: Double Double 6kW - 11kW

The Hawk 4 Double Sided stoves are perfect for drawing people in from the cold. Choose a single depth or double depth and you will be thrilled with the outputs achievable. Carrying all the features the Herald range supports: hot airwash system and our innovative Cleanburn technology the Hawk 4 Double Sided Stoves will not disappoint. Choose from either a traditional or contemporary door, multi fuel or wood burning only, the options are endless.







Heat Output: Double Single 5kW - 8kW  
 Heat Output: Double Double 8kW - 13kW

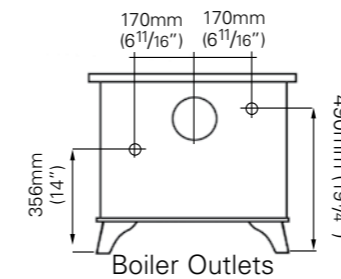
- Herald 6 Double Single mf – 145kg
- Herald 6 Double Single wood – 106kg
- Herald 6 Double Double mf – 185kg
- Herald 6 Double Double wood – 163kg

**Please note that all weights are approximate and could vary slightly.**



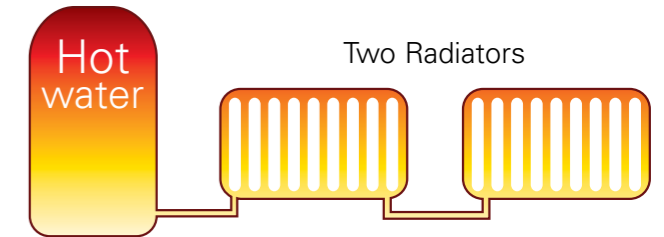
### Herald 6 Boiler Option Single Sided

Stove dimensions as above.



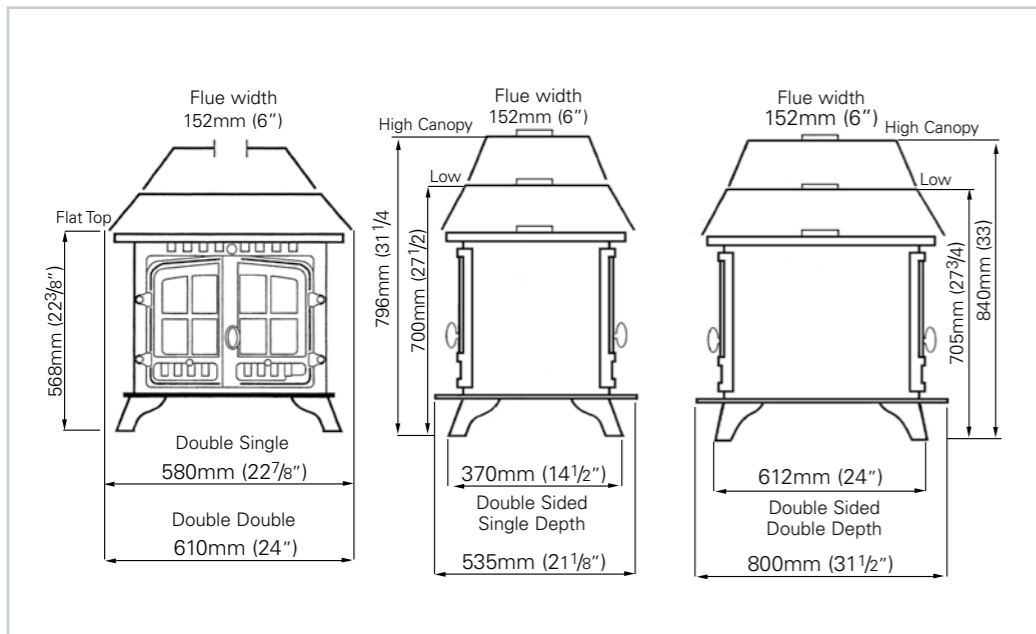
Clip in boiler provides up to 13,600BTU output to water and 1.5kw to room dependent on fuel load and installation parameters

### Boiler Option Herald 6 only



**NB. Please note that all weights are approximate and could vary slightly.**

## Herald 6 Double Sided



Open on both sides, The Herald 6 Double Sided radiates heat throughout the space, transforming your environment with flickering firelight. Choose either a single depth or double depth, giving you a larger fuel bed and even better heat output. Finally, customise your choice with a canopy, single door or double door, with or without crosses and then the colour: Midnight, Forest Green, or Cloudy Blue finish.



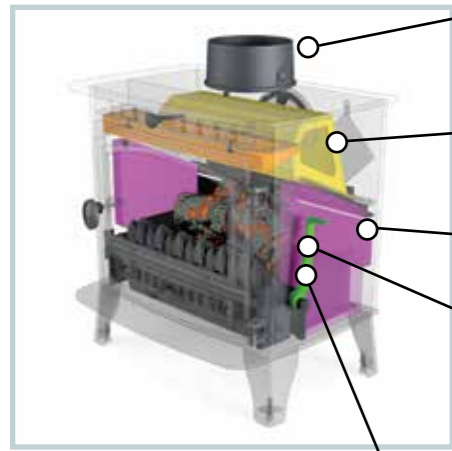
# Living Design Range



**Independently CE Tested and Approved**  
Specified stoves in the Living Design Range have been independently certified meeting the stringent CE requirement.

**New Hunter Cleanburn Technology**  
Cleanburn technology means that more of the fuel is ignited, resulting in an increased heat output, less smoke, and a cleaner environment.

**Exceptionally Efficient**  
Currents of air inside the stove ensure that fuel is burnt evenly and efficiently.



**From Wood to Multi-Fuel with a Single Movement of the Tool**  
The stove's integral grate can be changed from wood to multi-fuel setting with a single movement of the cold-handled riddling tool.



Virtually all of the Hunter stoves are approved twice; for burning both wood and smokeless fuel

**Safe and Efficient for Over-Night Burning**  
By reducing the air inflow to an absolute minimum, you can keep the fire gently smouldering overnight. Come morning, increase the air flow and the fire will return to life.

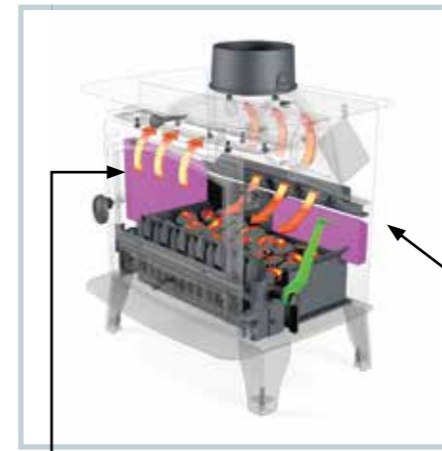
**Dust Free, Safe and Easy Riddling**  
The riddling tool enables you to clean the grate without causing clouds of dust. Just move it back and forth with the doors closed.

**Interchangeable Flue Outlets**  
Free standing stoves in the Living Design Range can be flued from either the top or the rear of the stove.

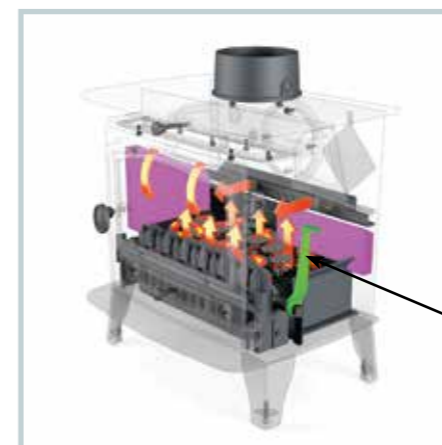
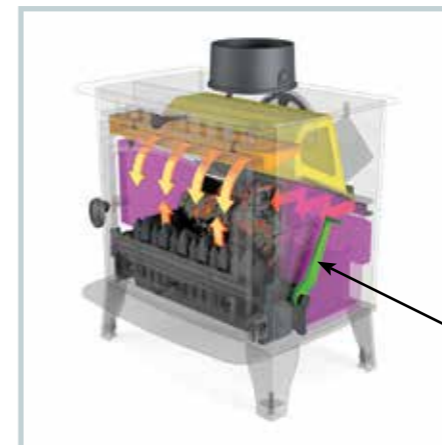
**Easy Access for Chimney Sweeping**  
Every stove features a removable throat-plate, giving full and easy access for sweeping the chimney.

**Internal Lining System**  
The new internal lining system maximises the firebox temperature, ensuring complete combustion.

**Cold-handled Riddling Tool**  
The cold-handled riddling tool can be used for opening and closing the doors, riddling the grate, grate adjustment and easy removal of the ash-pan.



The New Hunter 'Internal Lining System' maximises the firebox temperature, ensuring complete combustion.



**CLEANBURN, our innovative technology is not only better for the stoves, it's also better for the environment.**

The idea behind Cleanburn is to maximise combustion, so that more fuel is burnt and less is turned into deposits in the stove, chimney, or atmosphere.

Our Cleanburn stoves have been proven to have lower emissions, which makes them among the most eco-friendly models on the market.

**No need to scrub the glass door**

Our innovative airwash draws air from the top of the stove, heats it up in the central air chamber and then sends it down behind the glass door, creating a screen between the fire and the glass. Smoke or combustion particles do not come into contact with the glass, so you don't need to clean it.

**Optimum Woodburning Conditions**

Three streams of hot air ensure that fuel is burned efficiently by maximising combustion. For wood, close the grate and allow a deep bed of ash to build up - the optimum conditions for combustion.

**Optimum Smokeless Fuel Burning Conditions**

When you're burning smokeless fuel, just switch the grate to the open position. Air flows beneath the grate and into the heart of the fire - the optimum conditions for burning solid fuel.

# Technical Key



	Kestrel	Telford 5 Inset	Telford 8 Inset	Hawk 3/3D	Hawk 4/4D	Hawk 4/4D Double single	Hawk 4/4D Double Double	Herald 4	Compact 5	Herald 5 Slimline	Herald 6	Herald 6 Double Single	Herald 6 Double Double	Herald 8 Slimline	Inglenook
DEFRA Approval	~	✓	✓	~	~	~	~	✓	✓	✓	✓	~	~	~	~
Heat Output Range	3.5 - 5.5kW	3 - 5kW	5 - 8kW	2.5 - 4.5	3.5 - 4.6kW	4 - 6kW	6 - 11kW	3.5 - 6kW	3.5 - 5.5kW	3.5 - 6kW	4 - 7.5kW	5 - 8kW	8 - 13kW	4.5 - 8kW	5 - 7.5kW
Efficiency on wood %	76.8	77.1	75	80.5	72.8	72.7	75.4	78	76.0	74.1	75.9	n/a	n/a	72.4	83.6
Flat Top	✓	✓	✓	✓	✓	✓	✓	✓	✓	✓	✓	✓	✓	✓	✓
Low Canopy Kit	~	~	~	~	•	~	~	•	~	•	•	•	•	•	•
High Canopy Kit	~	~	~	~	~	~	~	•	~	•	•	•	•	•	•
Double door option	~	~	~	~	~	~	~	✓	✓	✓	✓	✓	✓	✓	✓
Single door option	✓	✓	✓	~	~	✓	✓	•	•	•	•	•	•	•	•
Traditional door	~	~	~	✓	✓	~	~	~	~	~	~	~	~	~	~
Contemporary 'D' door	~	~	~	•	•	~	~	~	~	~	~	~	~	~	~
Crosses	~	~	~	~	~	~	~	•	•	•	•	•	•	•	•
Multi Fuel Option (Riddling Grate)	✓	✓	✓	✓	✓	✓	✓	✓	✓	✓	✓	✓	✓	✓	✓
Wood Burning only option	~	~	~	•	•	•	•	•	•	•	•	•	•	•	~
Black knob set	✓	✓	✓	✓	✓	✓	✓	✓	✓	✓	✓	✓	✓	✓	✓
Brass Knob	~	•	•	•	•	•	•	•	•	•	•	•	•	•	•
Full Brass Set	~	•	•	~	~	~	~	•	•	•	•	•	•	•	•
Flue Damper	•	~	~	•	•	•	•	•	•	•	•	•	•	•	•
Sparkguard <sup>2</sup>	~	~	~	~	~	~	~	•	•	•	•	•	•	•	•
Multi fuel Extention	~	~	~	•	•	•	•	•	~	•	•	•	•	•	~
Flue Gather Box	•	~	~	•	•	~	~	•	•	•	•	~	~	•	~
Clip in Boiler Option <sup>1</sup>	~	~	~	~	~	~	~	~	~	~	•	~	~	~	~
Nominal kW	4.8kW	4.9kW	6kW	4.2kW	3.5 - 4.7kW	5-1 <sup>3</sup> - 6 <sup>4</sup> kW	10.6kW	4kW	4.7kW	4.4kW	5-4 <sup>3</sup> - 6.5 <sup>4</sup> kW	5.5 <sup>3</sup> - 6.5 <sup>4</sup> kW	10.5kW	5kW	6 <sup>3</sup> - 7.3 <sup>4</sup> kW
Ventilation (mm <sup>2</sup> )	~	~	~	~	~	550	3080	~	~	~	825	825	3025	0	1265
Leg lengths	1 <sup>1</sup> / <sub>2</sub> " - 138mm	~	~	3" - 76mm	5" - 127mm	5" - 127mm	5" - 127mm	12" - 305mm	12" - 305mm	5" - 127mm	6" - 152mm	6" - 152mm	6" - 152mm	5" - 127mm	9 <sup>1</sup> / <sub>4</sub> " - 235mm
Log length (approx)	15 <sup>3</sup> / <sub>4</sub> - 400mm	9 <sup>1</sup> / <sub>4</sub> " 235mm	10" 250mm	10" - 258mm	11" - 280mm	11" - 280mm	11" - 280mm	11" - 280mm	13" - 330mm	16" - 400mm	15" - 380mm	15" - 380mm	15" - 380mm	19 <sup>3</sup> / <sub>4</sub> - 500mm	19" - 480mm

NB. Ventilation is dependent on the permeability rating of the building.

For further details please visit:

<http://www.planningportal.gov.uk/buildingregulations/approveddocuments/partj/approved>

and download the free copy of Document J. Info about the ventilation and air permeability ratings is table 1 on page 29.

- = Defra Approved
- ✓ = standard
- = option
- ~ = not available

1. Clip in Boiler model 1.5kw to room 4.0kw (13,600btu) to water
2. Sparkguard - only available on double door options
3. Tested on Smokeless fuel
4. Tested on wood

# Options



Whichever Hunter stove you choose, you have a number of options to make it perfect for your interior. Talk to your supplier about the choices available on each stove.



Optional spark guard  
(Double door only)



Optional brass door knob



Optional flue gather box, for rear flue installations and limited space installations



Optional wood front - Hawk



Optional flue damper



Optional wood front - Herald



Optional multi-fuel front extension for larger fuel loads

Here's an overview of the possibilities:

## SINGLE OR DOUBLE DOOR?

Nearly all our models are available with a single door or double door. While the single door option provides a better viewing window, the double door gives a traditional appearance.



## SINGLE OR DOUBLE-SIDED?

The Hawk 4 and Herald 6 can be built as double-sided stoves, which means both sides have doors. You can opt to have these in a double depth too, so the fuel bed is larger.



## CANOPY?

Most models have a matching canopy which you can choose to add to your purchase. The Inglenook has a unique canopy which enhances its cottage-style look.



## Hunter Warranty

All Hunter Stoves now come with the option of a 2-5 year warranty. This is only valid if the stoves are serviced annually on the anniversary of installation.

For details of the warranty specifications please visit our website [www.hunterstoves.co.uk](http://www.hunterstoves.co.uk) for full Terms and Conditions.

Heat outputs are dependent on fuel load and installation parameters. Overnight burning is dependent on fire box size, fuel load etc. Many thanks to B D Brooks Fireplaces, BWF Humphries, Focus Fireplaces for the provision of fireplaces/photography. Hunter Stoves Limited has a policy of continuous product improvement and therefore reserves the right to change specifications and designs at any time without prior notice.

Hunter Stoves Ltd. strongly recommends that the suitability of any installation should firstly be agreed with a HETAS qualified installer or similarly competent professional, to ensure compliance with the recent changes to the Building Regulations. Hunter Stoves Ltd. will not be held responsible for any losses, however arising, from inappropriate installations by unqualified or non-competent installers. An inappropriate installation may also invalidate claims made under a manufacturer's warranty or guarantee. NB. Please note that all weights are approximate and could vary slightly.

Please see the key on page 20 for all options available.

## Hunter Superior Choice

From the smallest to the largest, every stove has built-in features that improve its performance. For example, Cleanburn – a system designed to reduce carbon emissions from the stove. When you buy a Hunter stove, you get the full package – and a few extra surprises, too.

---



## Cleanburn

Elegant Scandinavian style transforms your living space. A chic Cleanburn stove is the coolest way to warm up any room. On the outside, minimalist design is matched with user-friendly features. Inside, Tripleburn technology ensures that fuel is burned efficiently.

---



## Di Lusso

Icona Futuro . . . Designed for designers, the Di Lusso R4 epitomises smooth Italian chic. It's got the trustworthy performance of a Vespa and the smooth finish of espresso crema. This sleek, flush-to-the-wall stove brings you real flames – in a modern frame.

---



## Eco-Ideal

Eco-ideal isn't just a name – it's a statement. We believe that our British landscape is worth protecting. So we designed the eco-ideal range with significantly lower emissions than traditional multi-fuel stoves. Certified by European experts to be exempt from the Clean Air Act, every eco-ideal heater is permissible in Smoke Control areas.



Your Local Stockist

