



CLEANBURN

scandinavian sophistication



hunterstoves
GROUP

OUR CLEANBURN RANGE OF STOVES BRINGS THE COOL, MINIMALIST ELEGANCE OF SIMPLE SCANDINAVIAN STYLE INTO YOUR HOME.

Combining the sleek, modern look you associate with the best of Norwegian and Swedish design with our innovative, user-friendly technology ensures you get the best of both worlds – style and efficiency in perfect harmony.

From the home of classic wood-burning stoves comes this stunning range of traditional stoves, bringing a touch of Scandinavian class to your home.

10 YR WARRANTY

CLEANBURN AUTHORISED DEALERS PROVIDE AN EXTENDED 10 YEAR WARRANTY

For full warranty specifications and terms and a list of authorised stockists, please visit www.hunterstoves.co.uk



SKAGEN 5

LØVENHOLM	4 - 5	NØRRESKOVEN	8 - 9	SØNDRERSKOVEN	12 - 13	SKAGEN 5	16 - 17	NORDSTRAND 5	20 - 21	FEATURES	24 - 27
LØVENHOLM EURO	6 - 7	NØRRESKOVEN EURO	10 - 11	SØNDRERSKOVEN EURO	14 - 15	SKAGEN 6	18 - 19	STRÖMSTAD 5	22 - 23	DIMENSIONS	28 - 31



LØVENHOLM

SINGLE DOOR

THE LØVENHOLM TRADITIONAL IS A BEAUTIFULLY DESIGNED SCANDINAVIAN-STYLE STOVE. IT EMBRACES THE BEST OF OUR LONG HISTORY OF TRADITIONAL WOOD-BURNING STOVE MANUFACTURE TO DELIVER A HIGH PERFORMANCE MODEL FEATURING HIGH HEAT OUTPUT WITH EXCEPTIONALLY LOW EMISSIONS.

The Løvenholm is one of the few stoves in Britain to pass the Norwegian Standard, one of the most stringent emissions tests in the world.



/ DOUBLE DOOR
/ MULTIFUEL
/ BLACK HANDLE

/ SINGLE DOOR
/ MULTIFUEL
/ BLACK HANDLE

/ SINGLE DOOR
/ WOOD
/ BLACK HANDLE

- DEFRA APPROVED
- NO AIR BRICK REQUIRED
- 5" FLUE COLLAR
- TRIPLEBURN® TECHNOLOGY
- HOT AIR WASH SYSTEM
- CAN BE FITTED ON A 12mm HEARTH

HEAT OUTPUT

3kW TO 5kW

NOMINAL

4.6kW

LØV
ENH
OLM



LØVENHOLM
EURO

LØV
ENH
OLM
EURO

WITH CREDENTIALS THAT MEET EUROPE'S STRICTEST ECO-STANDARDS, THE LØVENHOLM EURO IS A MODERN TWIST ON OUR BEST-SELLING LØVENHOLM TRADITIONAL MODEL.

Designed to provide a clean, environmentally-conscious performance, the Løvenholm Euro combines sleek lines and minimalist looks to make it the perfect complement for contemporary homes.

The seamless legs that house a stylish log-store ensure your stove is fully stocked at all times.



/ DOUBLE DOOR
/ MULTIFUEL
/ BLACK HANDLE

/ SINGLE DOOR
/ MULTIFUEL
/ BLACK HANDLE

- DEFRA APPROVED
- NO AIR BRICK REQUIRED
- 5" FLUE COLLAR
- TRIPLEBURN® TECHNOLOGY
- HOT AIR WASH SYSTEM
- CAN BE FITTED ON A 12mm HEARTH

HEAT OUTPUT

3kW TO 5kW

NOMINAL

4.6kW

SINGLE DOOR



NØRRESKOVEN

DOUBLE DOOR

NØR
RES
KOV
EN

THE NØRRESKOVEN TRADITIONAL UNITES CLASSIC, TRADITIONAL STOVE DESIGN WITH FUTURE-PROOF TECHNOLOGY. THIS CONVECTION STOVE CAN BE FILLED WITH SEASONED LOGS AND THANKS TO TRIPLEBURN® TECHNOLOGY, GUARANTEES TO DELIVER EFFICIENT OUTPUT EVERY SINGLE TIME.

The heat output range of this stove is sufficient enough for family rooms and burns evenly at an adjustable pace meaning this classically styled stove is perfect for any home.



/ DOUBLE DOOR
/ MULTIFUEL
/ STAINLESS HANDLE

/ SINGLE DOOR
/ WOOD
/ STAINLESS HANDLE

/ SINGLE DOOR
/ MULTIFUEL
/ STAINLESS HANDLE

- DEFRA APPROVED
- NO AIR BRICK REQUIRED
- 5" FLUE COLLAR
- TRIPLEBURN® TECHNOLOGY
- HOT AIRWASH SYSTEM
- CAN BE FITTED ON A 12mm HEARTH
- CONVECTION STOVE



NØRRESKOVEN
/EURO

NØR
RES
KOV
EN
EURO



SINGLE DOOR

ELEGANTLY SLENDER WITH SLEEK STAINLESS STEEL FIXTURES, THIS STOVE IS DESIGNED FOR IMPACT WITHOUT BEING OBTRUSIVE; THE NØRRESKOVEN EURO IS PERFECT FOR MODERN AND MINIMALIST INTERIORS.

The Euro is built from steel to ensure it heats up quickly, making this stove perfect for the heart of any living room.



/ DOUBLE DOOR
/ MULTIFUEL
/ STAINLESS HANDLE

/ SINGLE DOOR
/ MULTIFUEL
/ STAINLESS HANDLE

- DEFRA APPROVED
- NO AIR BRICK REQUIRED
- 5" FLUE COLLAR
- TRIPLEBURN® TECHNOLOGY
- HOT AIRWASH SYSTEM
- CAN BE FITTED ON A 12mm HEARTH
- CONVECTION STOVE

HEAT OUTPUT

4kW TO 6kW

NOMINAL

4.6kW



SØNDRSKOVEN

SINGLE DOOR

THE SØNDRSKOVEN TRADITIONAL IS ONE OF OUR BIGGEST MODELS BLENDING IMPRESSIVE HEAT OUTPUT THROUGH INNOVATIVE TRIPLEBURN® PERFORMANCE.

The air sliders allow you to easily adjust heat levels and maintain a comfortable temperature. This family-sized stove is perfect for large or open-plan spaces.



/ DOUBLE DOOR
/ MULTIFUEL
/ STAINLESS HANDLE

/ SINGLE DOOR
/ MULTIFUEL
/ STAINLESS HANDLE

- TRIPLEBURN® TECHNOLOGY
- HOT AIRWASH SYSTEM
- LARGE VIEWING WINDOW
- HIGH OUTPUT
- CAN BE FITTED ON A 12mm HEARTH
- CONVECTION STOVE

HEAT OUTPUT

7kW TO 10kW

NOMINAL

7.4kW

SØNDRSKOVEN

VIEW OUR
FILM ON
YØU
TUBE



SØNDRSKOVEN
/EURO

DOUBLE DOOR

THE FREESTANDING EURO VERSION OF THE SØNDRSKOVEN MODEL DELIVERS PHENOMENAL OUTPUT AND IMPRESSIVE EFFICIENCY FOR HEATING LARGER AREAS.

Boasting stay-clean glass and a large viewing window, the Sønderskoven is a stunning efficient addition to any home.



/ DOUBLE DOOR
/ MULTIFUEL
/ STAINLESS HANDLE

/ SINGLE DOOR
/ MULTIFUEL
/ STAINLESS HANDLE

- TRIPLEBURN® TECHNOLOGY
- HOT AIRWASH SYSTEM
- LARGE VIEWING WINDOW
- HIGH OUTPUT
- CAN BE FITTED ON A 12mm HEARTH
- CONVECTION STOVE

HEAT OUTPUT

7kW TO 10kW

NOMINAL

7.4kW

SØNDRSKOVEN
E U R O

VIEW OUR
FILM ON
YOU
TUBE



SKAGEN
/5

**SKA
GEN
5**

SINGLE DOOR

MATCHING SOPHISTICATED DESIGN WITH THE HIGHEST LEVELS OF EFFICIENCY, THE SKAGEN 5 IS PACKED WITH GREAT FEATURES.

As well as having a 5" flue collar, the 4.9kW heat output of the Skagen 5 does not require an air brick. A built-in dynamic control cassette also allows the temperature to be easily maintained.

Combining our Tripleburn® technology and Air Wash system, the Skagen 5 is also DEFRA approved for the Clean Air Act.



- DEFRA APPROVED
- NO AIR BRICK REQUIRED
- 5" FLUE COLLAR
- TRIPLEBURN® TECHNOLOGY
- HOT AIRWASH SYSTEM
- DIRECT AIR OPTION
- DYNAMIC CONTROL PANEL
- CAN BE FITTED ON A 12mm HEARTH

- / SINGLE DOOR
- / MULTIFUEL
- / STAINLESS HANDLE





SKAGEN
/ 6

SINGLE DOOR

ADAPTABLE AND INTUITIVE WITH AN INNOVATIVE AIRFLOW PANEL, THE SKAGEN 6 PUTS INSTANT CONTROL AT YOUR FINGERTIPS.

This family stove has an output of up to 9kW while utilising our Tripleburn® technology to maximise fuel efficiency. A choice between wood or other approved solid fuels also allows you to optimise your heating system.



/ SINGLE DOOR
/ MULTIFUEL
/ STAINLESS HANDLE

- DEFRA APPROVED
- TRIPLEBURN® TECHNOLOGY
- 6" FLUE COLLAR
- HOT AIRWASH SYSTEM
- DIRECT AIR OPTION
- DYNAMIC CONTROL PANEL
- CAN BE FITTED ON A 12mm HEARTH

HEAT OUTPUT

5kW TO 9kW

NOMINAL

6kW

SKA
GEN
6



NORDSTRAND
/5

NØR
DST
RAN
D5

PORCELAIN
SINGLE DOOR

THE DEFRA APPROVED NORDSTRAND 5 IS A TRADITIONAL CAST IRON NORWEGIAN STYLE STOVE WHICH COMES IN A CHOICE OF A BLACK PAINT, OR A PORCELAIN ENAMEL FINISH.

The controls allow the heat to be perfectly maintained to the temperature you want using our Tripleburn® technology. This stove flawlessly matches a contemporary style with technology whilst not compromising on the ecological impact.



/ SINGLE DOOR
/ MULTIFUEL
/ STAINLESS HANDLE
/ PORCELAIN ENAMEL

/ SINGLE DOOR
/ MULTIFUEL
/ STAINLESS HANDLE
/ BLACK PAINT

- TRIPLEBURN® TECHNOLOGY
- HOT AIRWASH SYSTEM
- 5" FLUE COLLAR
- DYNAMIC CONTROL PANEL
- CAST IRON
- ENAMEL OPTION

HEAT OUTPUT

4kW TO 8kW

NOMINAL

4.9kW



STRÖMSTAD
/5

STR
ÖMS
TAD
5

SINGLE DOOR

THIS BEAUTIFULLY SLEEK, CURVED STOVE IS THE EPITOME OF MODERN DESIGN.

The Tripleburn® technology is controlled by subtle sliders on the front of the stove using an operating tool, it can also be used to open and close the door further adding to the futuristic design.



/ MULTIFUEL
/ HIDDEN HANDLE
/ BLACK PAINT

- TRIPLEBURN® TECHNOLOGY
- DEFRA APPROVED
- REAR TO COMBUSTIBLE DISTANCE 15mm
- HOT AIRWASH SYSTEM
- NO AIR BRICK REQUIRED
- 5" FLUE COLLAR
- CAN BE FITTED ON A 12mm HEARTH
- DIRECT AIR OPTION
- CONVECTION STOVE



CLEANBURN /FEATURES

FEA TUR ES

	LØVENHOLM MODELS	NØRRESKOVEN MODELS	SØNDRSKOVEN MODELS	SKAGEN 5	SKAGEN 6	NORDSTRAND 5	STRÖMSTAD 5
HEAT OUTPUT RANGE (kW)	3-5	4-6	7-10	4-8	5-9	4-8	3-7
NOMINAL HEAT OUTPUT (kW)	4.6	4.6	7.4	4.9	6	4.9	4.7
EFFICIENCY ON WOOD (%)	75	73	79	80	79	83	78
EMMISSIONS (CO. %)	0.19	0.17	0.52	0.15	0.18	0.37	0.23
AIR BRICK REQUIRED (mm ²)	No	No	Yes (1100)	No	Yes (550)	No	No
MINIMUM HEARTH THICKNESS (mm)	Freestanding: 12* Recessed: 125	Freestanding: 12* Recessed: 125	Freestanding: 12 Recessed: 125	Freestanding: 12 Recessed: 125	Freestanding: 12 Recessed: 125	Freestanding: 12 Recessed: 125	Freestanding: 12
DEFRA APPROVED	Yes**	Yes**	No	Yes	Yes	Yes	Yes
DIRECT AIR KIT AVAILABLE	NA	NA	NA	Yes	Yes	NA	Yes
MULTIFUEL	Standard	Standard	Standard	Standard	Standard	Standard	Standard
WOODBURNING	Option	Option	NA	NA	NA	NA	NA
LOG LENGTH (mm)	300	320	420	400	400	400	250
CLEARANCE DISTANCES TO COMBUSTIBLE MATERIALS (mm)***	Rear: 600 Sides: 450	Rear: 450 Sides: 400	Rear: 700 Sides: 450	Rear: 250 Sides: 200	Rear: 250 Sides: 200	Rear: 700***** Sides: 700	Rear: 15***** Sides: 180*****
CLEARANCE DISTANCES TO NON-COMBUSTIBLES MATERIALS (mm)***	Rear: 50 Sides: 50 Above: 150	Rear: 50 Sides: 50 Above: 150	Rear: 50 Sides: 50 Above: 150	Rear: 50 Sides: 50 Above: 150	Rear: 50 Sides: 50 Above: 150	Rear: 50 Sides: 50 Above: 150	Rear: 50 Sides: 150
SINGLE DOOR	Standard	Standard	Standard	Standard	Standard	Standard	Standard
DOUBLE DOOR	Option****	Option****	Option	NA	NA	NA	NA
BLACK KNOB SET	Standard	NA	NA	NA	NA	NA	NA
STAINLESS KNOB SET	NA	Standard	Standard	Standard	Standard	Standard	NA

- * Løvenholm and Nørreskoven woodburning models cannot be installed on an 12mm hearth when freestanding.
- ** Løvenholm and Nørreskoven woodburning models are not DEFRA approved.
- *** Distances when installed with a twin walled flue (with the addition of the heat shield with the Strömstad).
- **** Løvenholm and Nørreskoven woodburning models are not available in a double door.
- ***** This distance relates to the rear only and will be reduced, testing is ongoing.
- ***** Only applicable when recessed

CONTACT YOUR DEALER FOR INSTALLATION ADVICE

10YR /WARRANTY

Cleanburn authorised dealers provide an extended 10 year warranty.

For full warranty specifications and terms and a list of authorised stockists, please visit www.hunterstoves.co.uk

10
YR
WARRANTY

NORWEGIAN /STANDARD

The Norwegian Standard is probably the most stringent emissions standard in the world. The issuing organisation, Standards Norway, works with bodies like ISO to draft new standards that challenge manufacturers to improve quality and safety - and our engineers like a challenge.

As a result, the Løvenholm is one of the few stoves in Britain to pass the test.



DEFRA /APPROVED

A number of the stoves in the Cleanburn range are also approved by DEFRA, the Department for the Environment, Food & Rural Affairs. This means that the Løvenholm, Nørreskoven, Skagen, Nordstrand and Strömstad models are permitted for use in Smoke Control areas as levels of particle emission are so low.

NOMINAL /OUTPUT

Nominal output is a reasonable heat output that should be achievable without over firing the unit.

Under specific test conditions, the independent test laboratory operate the stove at less than optimum conditions to replicate customer use.

TRIPLEBURN® /TECHNOLOGY

OUR TRIPLEBURN® TECHNOLOGY INVOLVES THE USE OF THREE STREAMS OF AIR TO MAXIMISE COMBUSTION.

Air is drawn in beneath the fuel, above the fuel (passing in front of the glass door) and behind the fuel. This hot air improves ignition meaning that the wood or smokeless fuel is burned more efficiently.

This efficiency means you'll get a better performance from less fuel so you can heat your living space for less than other options might cost. This also translates to a cleaner atmosphere as there is less carbon monoxide and hydrocarbon travelling up the chimney, making Tripleburn® both economical and environmentally friendly.

DYNAMIC CONTROL

Dynamic Control is an intuitive innovation which gives the user complete control over the temperature output.

This means that unlike other stoves the output is instantly responsive. The user can alter the simplest of dials and the output changes are instantaneous.



OPTIMUM SOLID FUEL BURNING CONDITIONS*

When burning smokeless fuel, the grate is moved to the open position by a single turn of the handle. Air is then directed under the open grate and into the heart of the fire ensuring a clean, efficient burn.

INDEPENDENTLY CE TESTED AND APPROVED

All of the stoves in the Cleanburn range meet the stringent CE approval test requirements.

AIR WASH SYSTEM KEEPS THE GLASS CLEAN

Tripleburn® technology does the work for you. A secondary air wash maintains a stream of air between fuel and door, reducing the build-up of carbon deposits on the glass.

* Not applicable for the Strömstad or Nordstrand as they have fixed grates.

OPTIMUM WOODBURNING CONDITIONS*

The Tripleburn® technology improves the ignition of the fuel with a jet of air directed into the heart of the fire. When the grate is in the closed position creating a flat base, it allows a deep bed of ash to build-up – these are the optimum conditions for burning wood.

DESIGNED FOR AND TESTED UNDER THE INDEPENDENT TESTING STANDARDS

/ Tripleburn® technology

/ Exceptionally hot air wash

/ Dust free, safe and easy riddling*

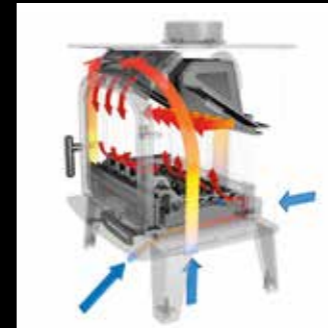
/ Multi-fuel grate system for burning wood or solid fuel*

FEA TUR ES

LØVENHOLM
/ AIR FLOW



NØRRESKOVEN
/ AIR FLOW



SØNDESKOVEN
/ AIR FLOW



SKAGEN +
NORDSTRAND
/ AIR FLOW



STRÖMSTAD
/ AIR FLOW



OPTIONS

OPTIONAL / DIRECT AIR

With the direct air kit fitted the stove is able to take air externally instead of internally. This is particularly necessary in airtight buildings.

AVAILABLE ON SKAGEN,
AND STRÖMSTAD MODELS.

OPTIONAL / FLUE GATHER BOX

For rear flue installations with limited space.

SUITABLE FOR THE LØVENHOLM,
SØNDESKOVEN AND SKAGEN MODELS.

OPTIONAL / FRONT EXTENSION

This front extension enables you to place more fuel into your stove to aid with overnight burning.

AVAILABLE FOR LØVENHOLM, NØRRESKOVEN
AND SØNDESKOVEN STOVES.

OPTIONAL / FUEL DAMPER

This allows a greater controllability on the flue draw (not always necessary).

AVAILABLE ON ALL MODELS EXCEPT THE STRÖMSTAD
AND NORDSTRAND (ONLY THE NORDSTRAND, BLACK,
TOP FLUED MODEL ALLOWS A FLUE DAMPER).

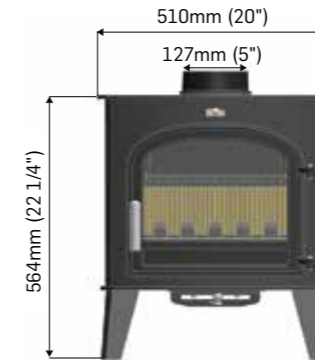
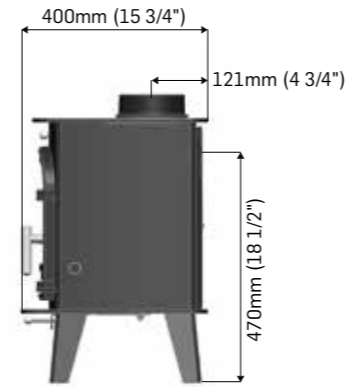
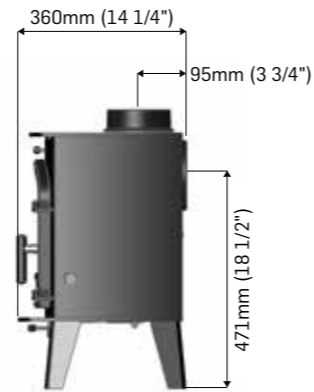
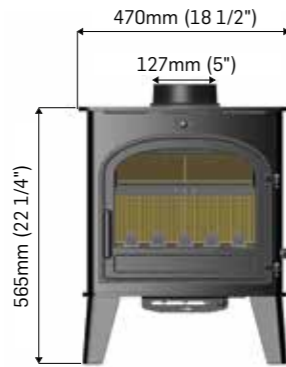
For further details please download Document J from
[www.planningportal.gov.uk/
buildingregulations/approveddocuments](http://www.planningportal.gov.uk/buildingregulations/approveddocuments)

DIMENSIONS

WIDTH
HEIGHT
DEPTH

LØVENHOLM

470W
565H
360D

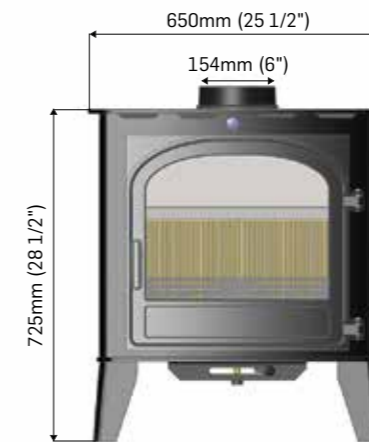
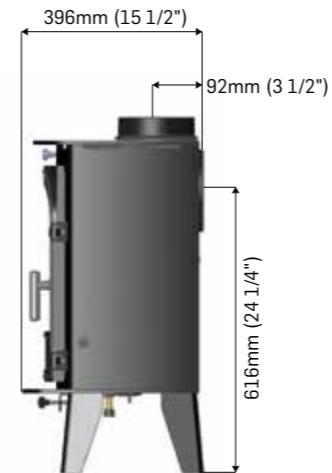
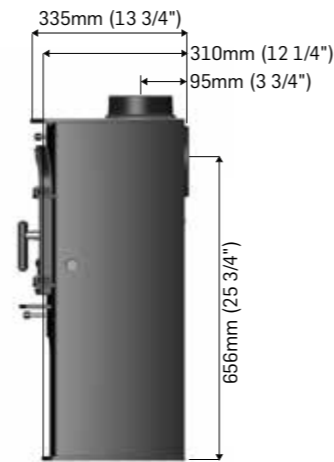
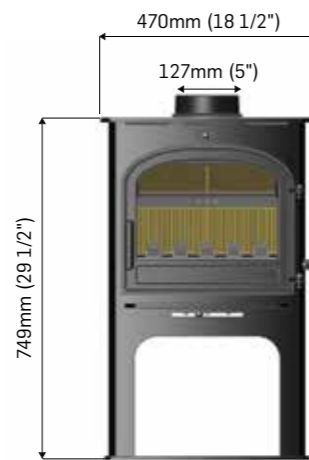


NØRRESKOVEN

510W
564H
400D

LØVENHOLM /EURO

470W
749H
335D

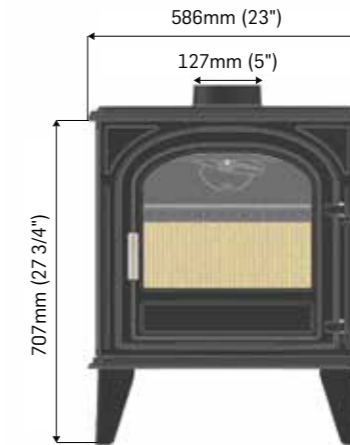
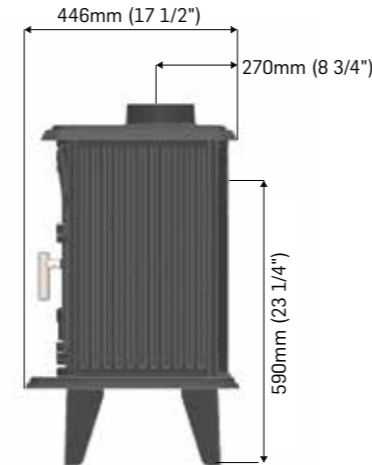
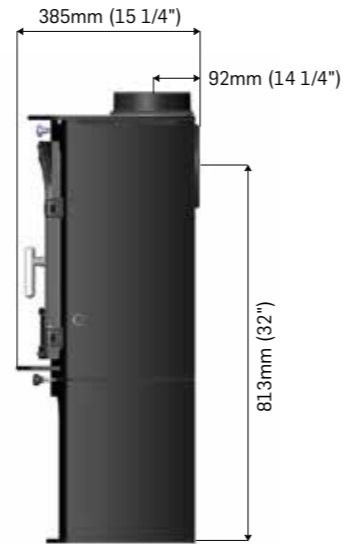
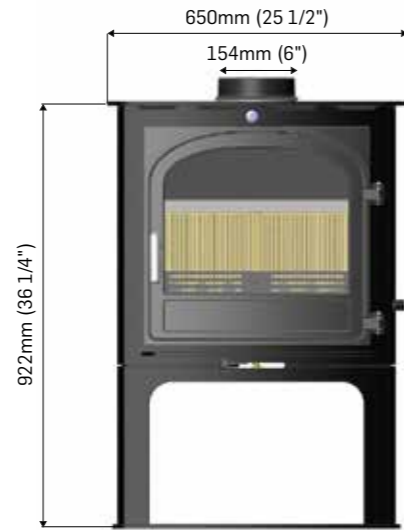


SØNDRSKOVEN

650W
725H
396D

SØNDERSKOVEN
/EURO

650W
922H
385D

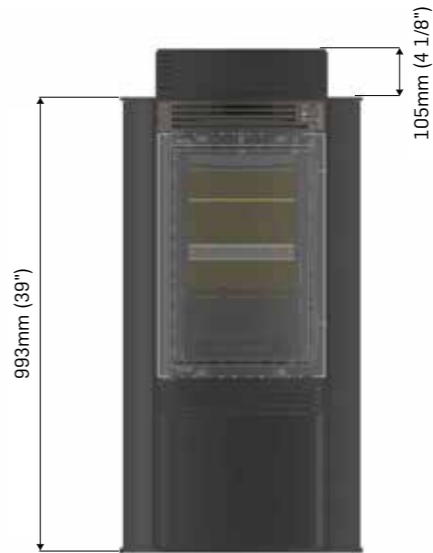
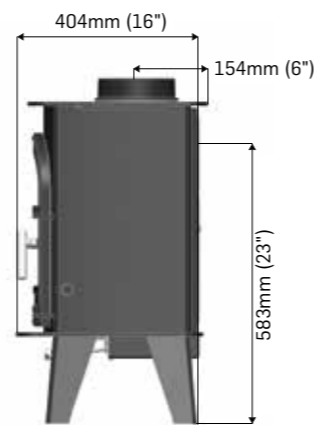
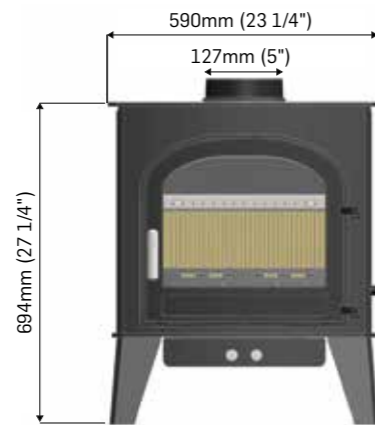


NORDSTRAND
/5

586W
707H
446D

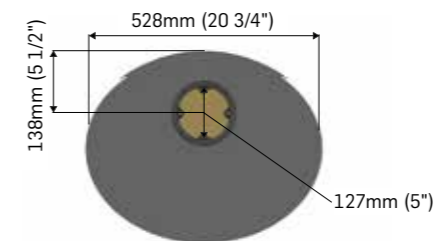
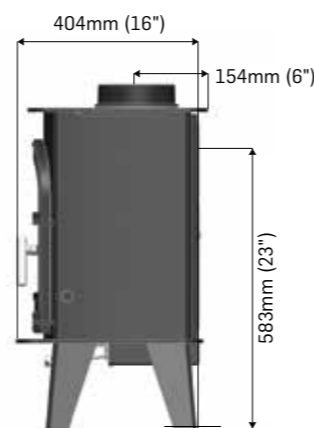
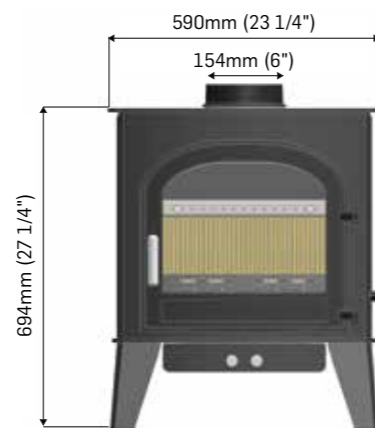
SKAGEN
/5

590W
694H
404D



SKAGEN
/6

590W
694H
404D



STRÖMSTAD
/5

528W
993H
426D



CLEANBURN

8 EMPEROR WAY EXETER DEVON EX1 3QS

INFO@HUNTERSTOVES.CO.UK WWW.HUNTERSTOVES.CO.UK

